

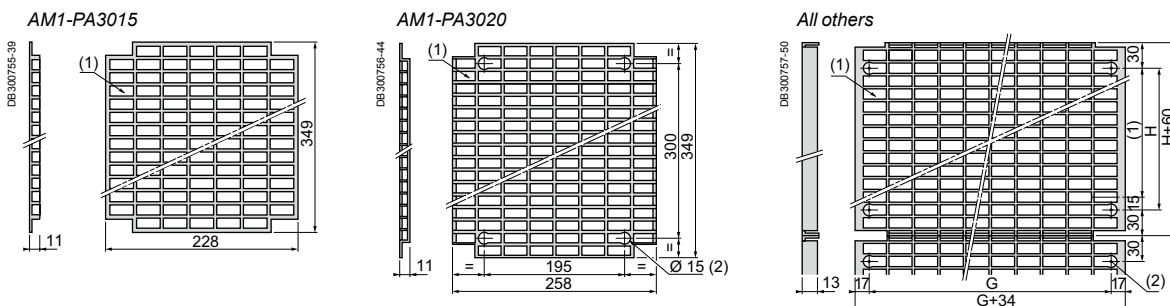
Mounting

Mounting plates for wall-mounting enclosures

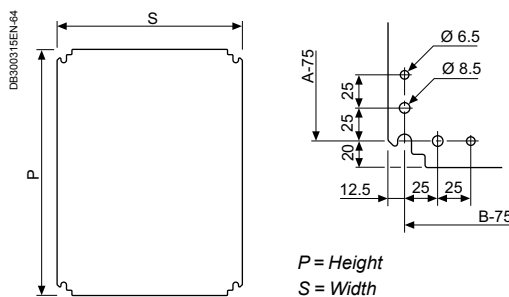
CRN S3D S3X PLM

Dimensions

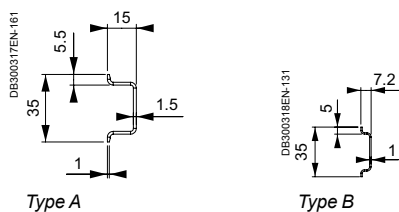
Joinable Telequick mounting plate



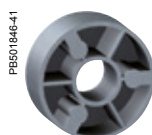
Bakelite and polyester mounting plate



DIN-rail chassis



Mounting plate accessories



Characteristics	Elevator for microperforated mounting plate	Clip-on nuts for Telequick mounting plate
	Mounting plate elevator to mount the Microperforated mounting plate at the same level as the other Telequick system components.	Used to easily fix devices in the Telequick mounting plate with the possibility of changing the lay-out as much as needed.
Supply	4 units	100 units. Reference by unit. Order by multiples of 100 (100, 200, 300...)
	Reference AZ1CA04	Model M3 M4 M5 M6
		References AF1EA3 AF1EA4 AF1EA5 AF1EA6