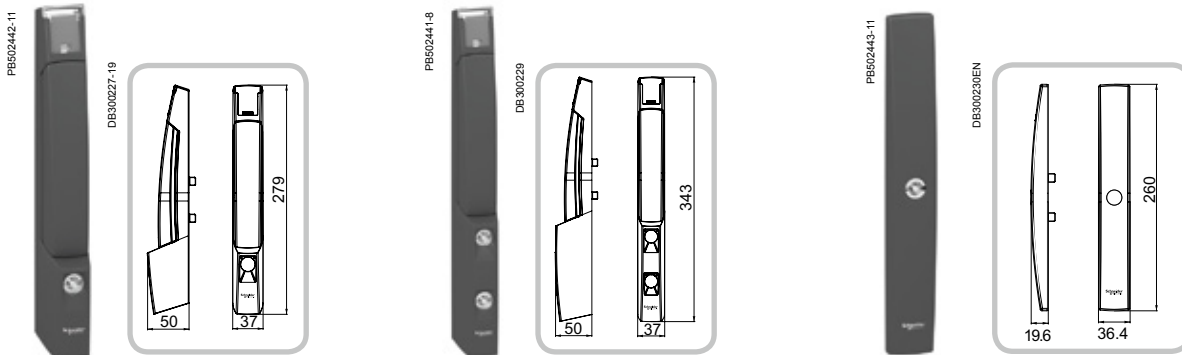


Steel floor-standing enclosures

Accessories

Locking system



Handles for insert types DIN, KABA, ASSA		Flat escutcheon lock
Insert handle	Double-insert handle	
The inserts are easily and quickly mounted without any screws and allow the installation of profiled DIN, KABA and ASSA locks. To install shape inserts or cylindrical barrels, it is necessary to add adapter ref. NSYLADP. Easy to change the opening direction of the door, right/left. Space reserved for enclosure identification, 21 x 27 mm, protected by a label frame.	The double insert handle can perform the "AND" and "OR" functions (are supplied with the handle). - "AND" function: one insert blocks the activation of the other insert. - "OR" function: either insert can release the handle. Easy to change the opening direction of the door, right/left. Space reserved for enclosure identification, 21 x 27 mm, protected by a label frame. To install shape inserts or cylindrical barrels, it is necessary to add adapter ref. NSYLADP.	Optional flat escutcheon lock. Replaces the handle lock. Easy to change the opening direction of the door, right/left. Possibility of changing the turning direction of the insert.
Handle: polyamide 6 with 30 % fibreglass, RAL 9005 colour		Polyamide 6 with 30 % fibreglass, RAL 9005 black
IK10		IK10
650°C		650°C
One handle for DIN, KABA and ASSA inserts and fixing elements (insert not included)		Flat lock, shape insert, key and fixing elements
NSYSFHD2	NSYSFHD3	-

Lock system: DIN, KABA and ASSA		References
	Adapter for DIN cylinder	NSYINDIN2
	Adapter for KABA cylinder (1)	NSYINKBA2
	Adapter for ASSA cylinder	NSYINASSA2
	1242E key lock	NSYIN1242E2
	Reinforced key lock	NSYINKR2
	JIS key lock	NSYINKJIS2
	FAC key lock	NSYINKFAC2
(1) Adapter for receiving the KABA8, KABA20 and KABA start cylinders.		
<p>Insert dimensions for DIN adapters.</p> <p>Insert dimensions for KABA adapters.</p>		
<p>Insert dimensions for ASSA adapters.</p>		
	Adapter for shape inserts and cylindrical barrels	References
	Plastic adapter for installing shape inserts and cylindrical barrels in handle lock types DIN, KABA, ASSA. See shape inserts and cylindrical barrels. See insert types DIN, KABA, ASSA. Supply: 1 unit.	NSYLADP

Models	References
	NSYSFLOCK24
	NSYSFLOCKT8
	NSYSFLOCKT7
	NSYSFLOCKT6
	NSYSFLOCKSG8
	NSYSFLOCKS8
	NSYSFLOCKS7
	NSYSFLOCKS6
	NSYSFLOCKDB5