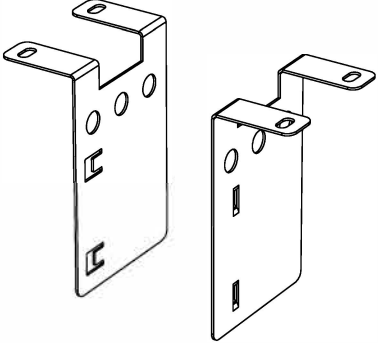


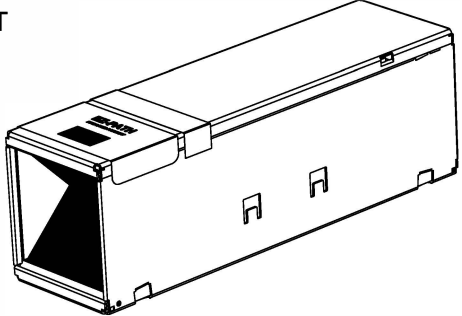
EZ-Path® is the only fire-rated cable management system with no firestop handling

CM350703 /
EZP144RSE



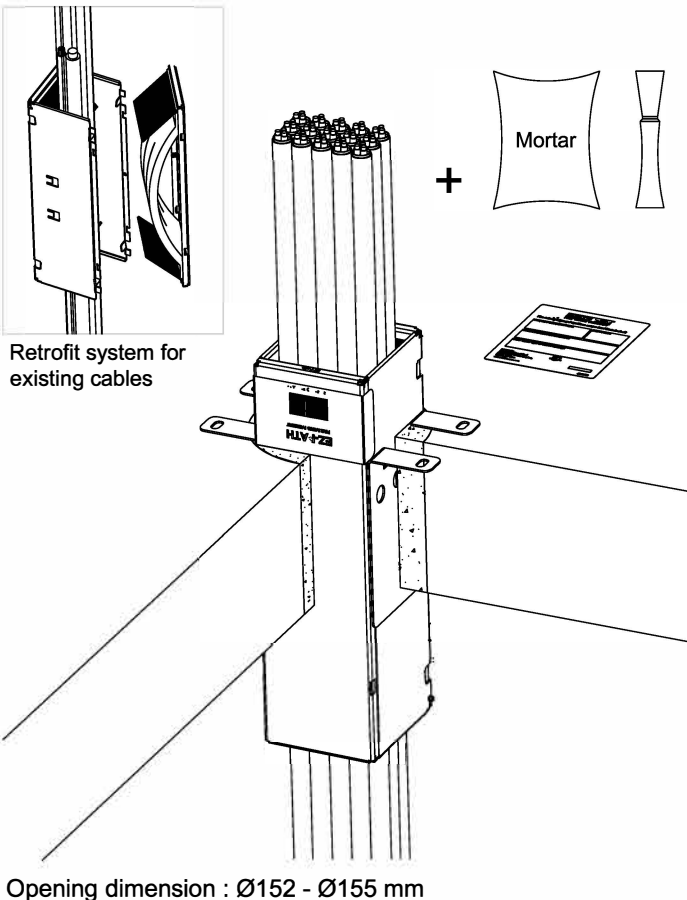
Bracket width : 56 mm
Please refer to CM350703 Application Sheet and Installation Sheet

CM250058 /
EZD44T



Device dimensions : 116 x 102 x 356 mm
Please refer to CM250058 Technical Data Sheet
To be ordered separately

CM350703 + CM250058
EZP144MBE+ EZD44T

Retrofit system for existing cables

Mortar

Opening dimension : Ø152 - Ø155 mm

Fire rated by design / Self-sealing system

No firestop handling required for cable changes
Fire safety compliant all the time

Applications

For all types of cables up to Ø21mm OD
Rigid floors
To be used in combination with CM250058 (EZD44T)

Performance

Fire resistance : EN1366-3
Classification : EN13501-2 / EI120
European Technical Assessment ETA 18/0412
Halogen free in accordance to IEC 61249-2-21

Ordering information

		
CM350703	0.5	1