

EZ-Path® : CM350702

Plate kit for flexible and rigid walls

EZ-Path® is the only fire-rated cable management system with no firestop handling

CM350702
EZP544WE

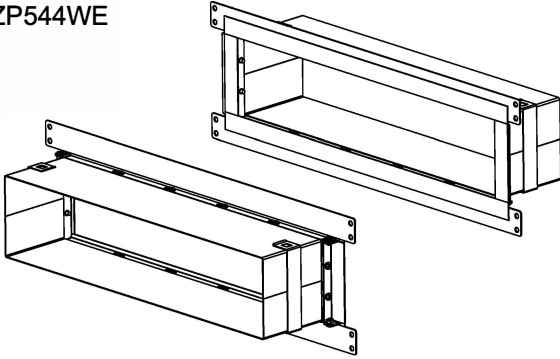
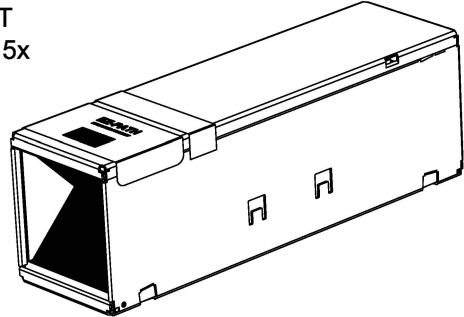


Plate dimensions : 610 x 196 mm

Please refer to CM350702 Application Sheet and Installation Sheet

CM250058

EZD44T
1 up to 5x

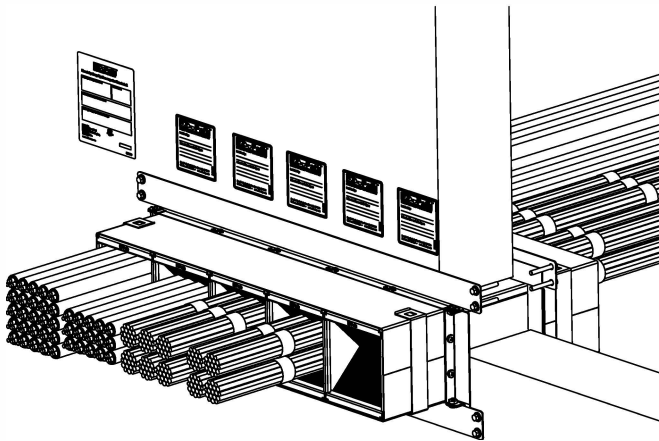


Device dimensions : 116 x 102 x 356 mm

Please refer to CM250058 Technical Data Sheet

To be ordered separately

CM350702 + CM250058
EZP544WE + EZD44T



16x (Not included)

Fire rated by design / Self-sealing system

No firestop handling required for cable changes

Fire safety compliant all the time

Applications

For all types of cables up to Ø21mm OD

Flexible and rigid walls

To be used in combination with CM250058 (EZD44T)

Performance

Fire resistance : EN1366-3

Classification : EN13501-2 / EI120

European Technical Assessment ETA 14/0412

Halogen free in accordance to IEC 61249-2-21

Ordering information



CM350702



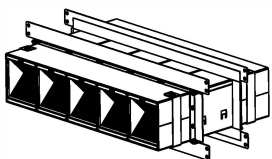
2.4



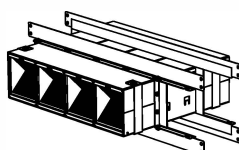
1

Opening dimensions

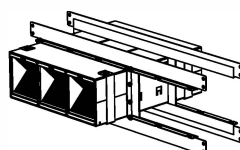
515 x 118 mm



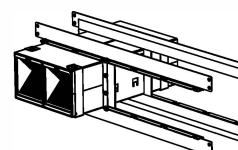
412 x 118 mm



309 x 118 mm



206 x 118 mm



105 x 118 mm

