

EZ-Path® is the only fire-rated cable management system with no firestop handling

CM350701 /
EZP144RSE

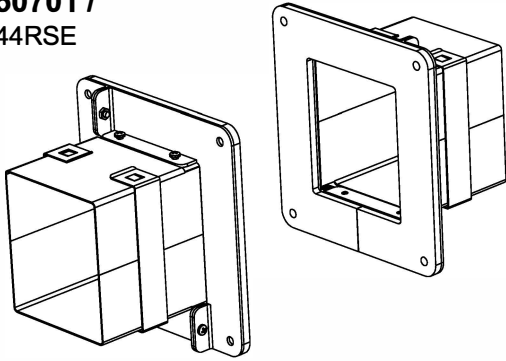
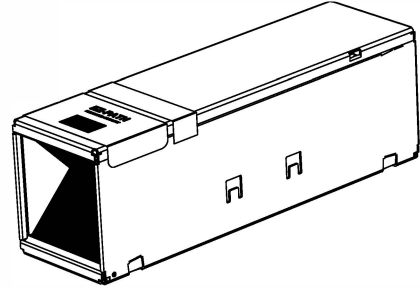


Plate dimensions : 191 x 178 mm

Please refer to CM350701 Application Sheet and Installation Sheet

CM250058 /
EZD44T

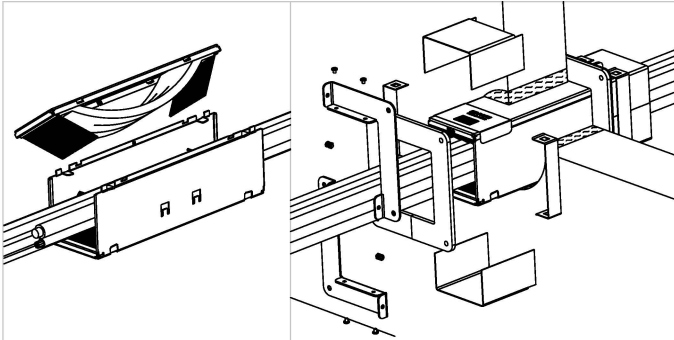


Device dimensions : 116 x 102 x 356 mm

Please refer to CM250058 Technical Data Sheet
To be ordered separately

CM350701 + CM250058
EZP144RSE + EZD44T

Retrofit system for existing cables



Fire rated by design / Self-sealing system

No firestop handling required for cable changes
Fire safety compliant all the time

Applications

For all types of cables up to Ø21mm OD
Flexible and rigid walls
To be used in combination with CM250058 (EZD44T)

Performance

Fire resistance : EN1366-3
Classification : EN13501-2 up to EI120
European Technical Assessment ETA 18/0412
Halogen free in accordance to IEC 61249-2-21

Ordering information



CM350701



1.6



1

Opening dimensions :
Ø152 - Ø155 mm or 118 x 105mm