

EZ-Path® is the only fire-rated cable management system with no firestop handling

CM350700 / EZP144WE

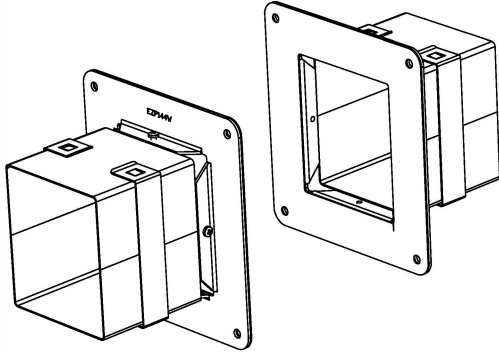
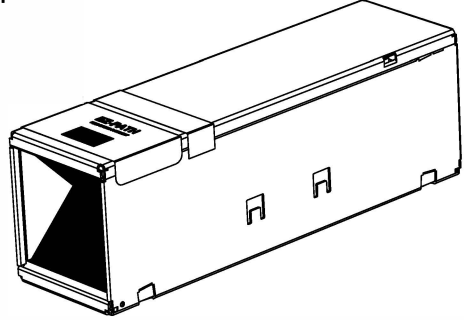


Plate dimensions : 191 x 178 mm

Please refer to CM350700 Application Sheet and Installation Sheet

CM250058 / EZD44T

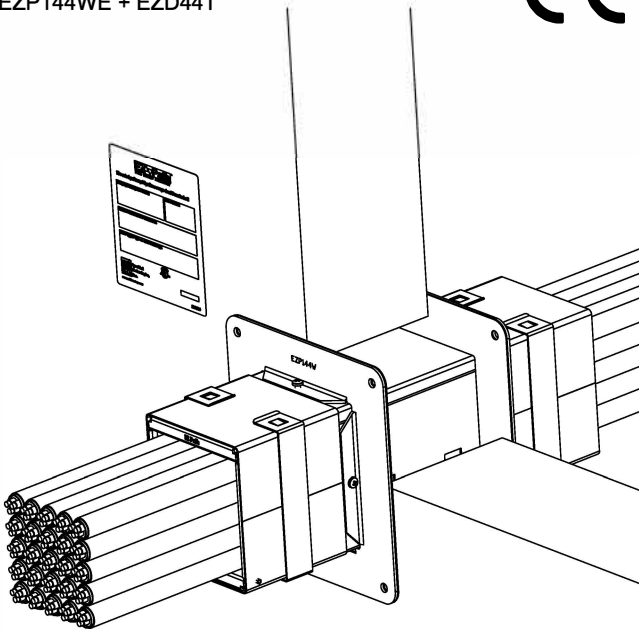


Device dimensions : 116 x 102 x 356 mm

Please refer to CM250058 Technical Data Sheet

To be ordered separately

CM350700 + CM250058 EZP144WE + EZD44T



Opening dimensions :

Ø152 - Ø155 mm or 118 x 105mm

Fire rated by design / Self-sealing system

No firestop handling required for cable changes

Fire safety compliant all the time

Applications

For all types of cables up to Ø21mm OD

Flexible and rigid walls

To be used in combination with CM250058 (EZD44T)

Performance

Fire resistance : EN1366-3

Classification : EN13501-2 up to EI120

European Technical Assessment ETA 18/0412

Halogen free in accordance to IEC 61249-2-21

Ordering information



CM250058



1.4



1