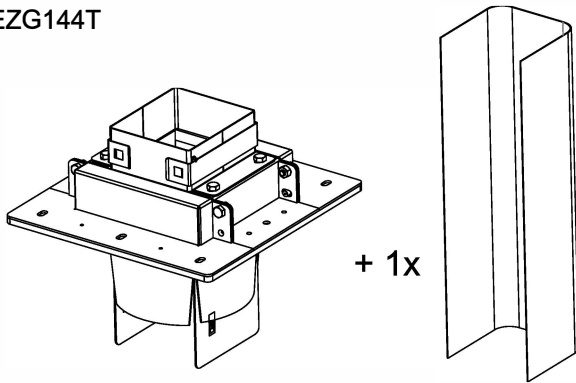


EZ-Path® is the only fire-rated cable management system with no firestop handling

CM250260 /
EZG144T

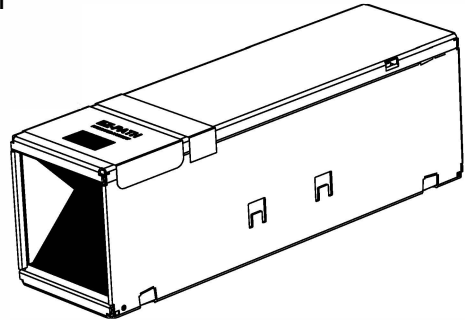


+ 1x

Plate dimensions : 264 x 274 mm

Please refer to CM250260 Application Sheet and Installation Sheet

CM250058 /
EZD44T

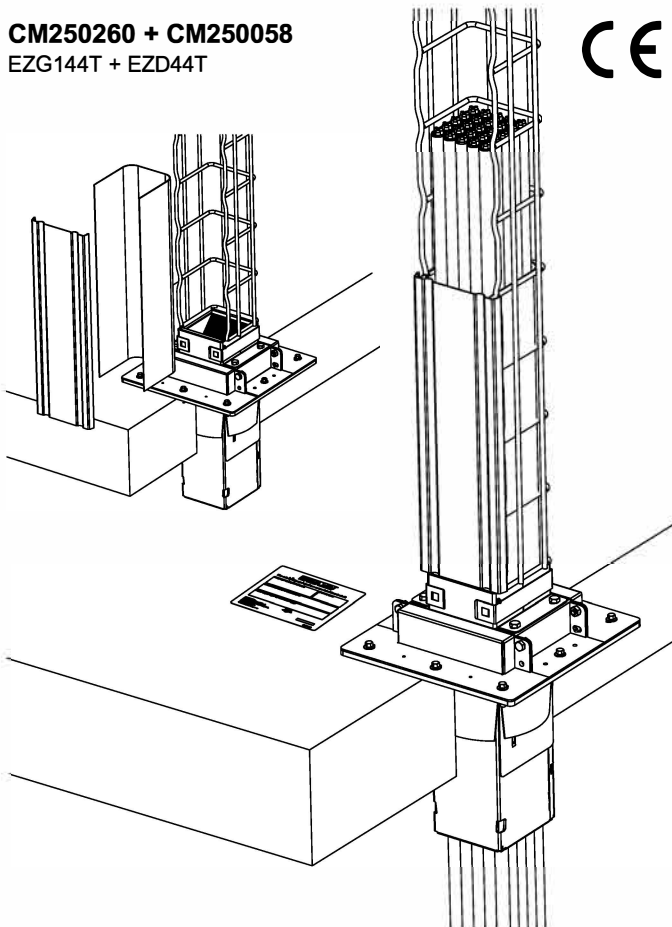


Device dimensions : 116 x 102 x 356 mm

Please refer to CM250058 Technical Data Sheet

To be ordered separately

CM250260 + CM250058
EZG144T + EZD44T



Opening dimension : Ø152 mm

Fire rated by design / Self-sealing system

No firestop handling required for cable changes
Fire safety compliant all the time

Applications

For all types of cables up to Ø80mm OD
Rigid floors
To be used in combination with CM250058 (EZD44T)

Performance

Fire resistance : EN1366-3
Classification : EN13501-2 / EI120
European Technical Assessment ETA 18/0412
Halogen free in accordance to IEC 61249-2-21

Ordering information



CM250260



3.2



1