

**EZ-Path® is the only fire-rated cable management system with no firestop handling**

**CM250220 /**  
EZP133KT

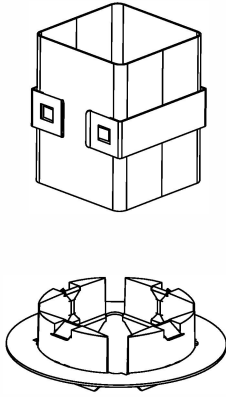
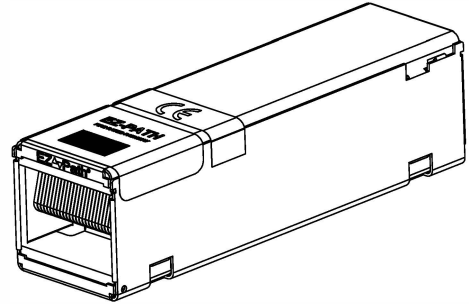


Plate dimensions : Ø140 mm

Please refer to CM250220 Application Sheet and Installation Sheet

**CM250018 /**  
EZD33T

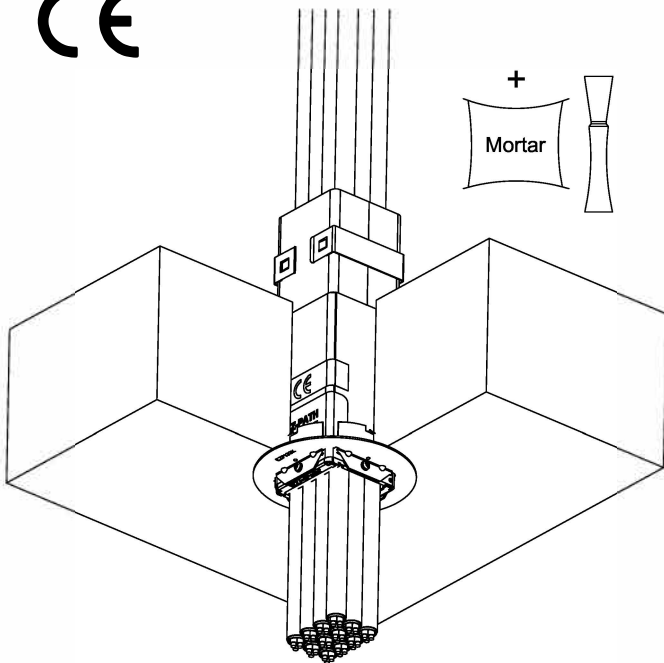


Device dimensions : 76 x 76 x 267 mm

Please refer to CM250018 Technical Data Sheet

To be ordered separately

**CM250220 + CM250018**  
EZP133KT + EZD33T



Opening dimensions : Ø102 mm

### Fire rated by design / Self-sealing system

No firestop handling required for cable changes

Fire safety compliant all the time

### Applications

For all types of cables up to Ø21mm OD

Rigid floors

To be used in combination with CM250018 (EZD33T)

### Performance

Fire resistance : EN1366-3

Classification : EN13501-2 / EI120

European Technical Assessment ETA 18/0412

Halogen free in accordance to IEC 61249-2-21

### Ordering information



CM250220



0.4



1