

EZ-Path® is the only fire-rated cable management system with no firestop handling

CM250170 /
EZP733WT

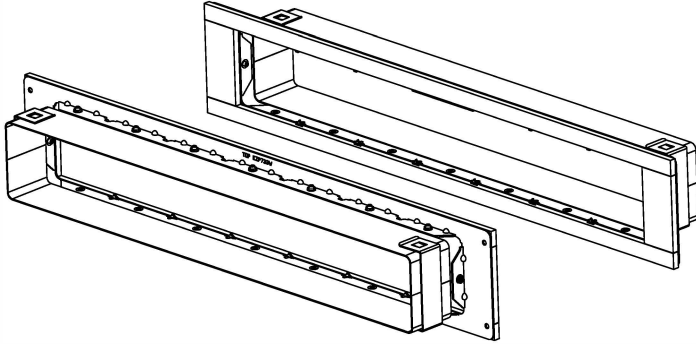
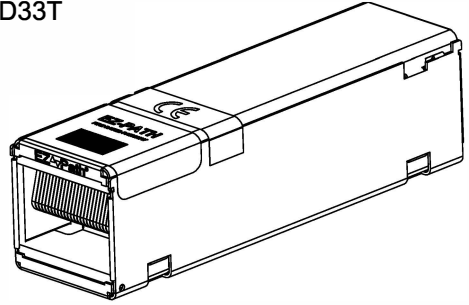


Plate dimensions : 610 x 109 mm
Please refer to CM250170 Application Sheet and Installation Sheet

CM250018 /
EZD33T
7x

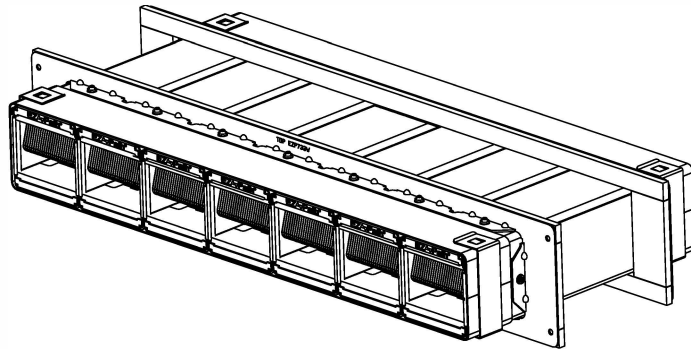


Device dimensions : 76 x 76 x 267 mm
Please refer to CM250018 Technical Data Sheet
To be ordered separately

CM250170 + CM250018
EZP733WT + EZD33T



8x (Not included)



Fire rated by design / Self-sealing system

No firestop handling required for cable changes
Fire safety compliant all the time

Performance

Fire resistance : EN1366-3
Classification : EN13501-2 up to EI120
European Technical Assessment ETA 18/0412
Halogen free in accordance to IEC 61249-2-21

Applications

For all types of cables up to Ø50mm OD
Flexible and rigid walls
To be used in combination with CM250018 (EZD33T)

Ordering information



CM250170



1.5



1