

**EZ-Path® is the only fire-rated cable management system with no firestop handling**

**CM250130 /**  
EZP333WT

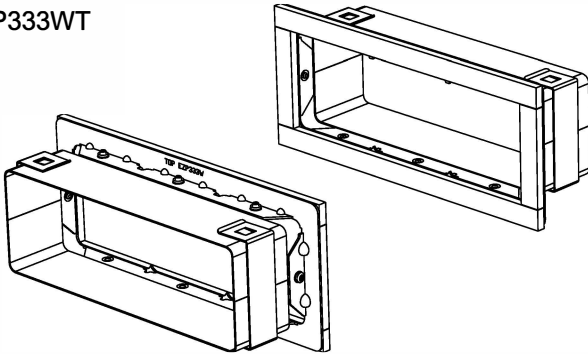
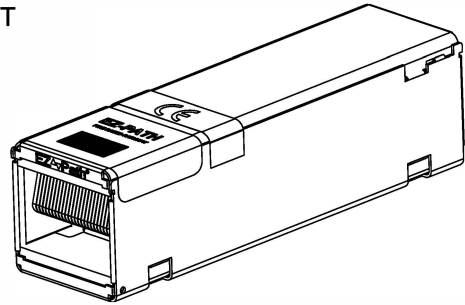


Plate dimensions : 261 x 109 mm

Please refer to CM250130 Application Sheet and Installation Sheet

**CM250018 /**  
EZD33T  
3x

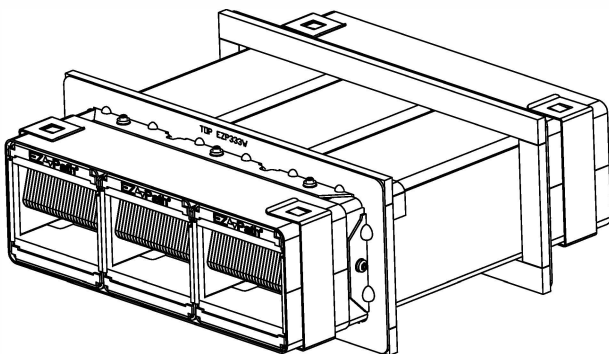


Device dimensions : 76 x 76 x 267 mm

Please refer to CM250018 Technical Data Sheet

To be ordered separately

**CM250130 + CM250018**  
EZP333WT + EZD33T



Opening dimensions : 230 x 81 mm

### Fire rated by design / Self-sealing system

No firestop handling required for cable changes

Fire safety compliant all the time

### Applications

For all types of cables up to Ø50mm OD

Flexible and rigid walls

To be used in combination with CM250018 (EZD33T)

### Performance

Fire resistance : EN1366-3

Classification : EN13501-2 up to EI120

European Technical Assessment ETA 18/0412

Halogen free in accordance to IEC 61249-2-21

### Ordering information



CM250130



0.6



1