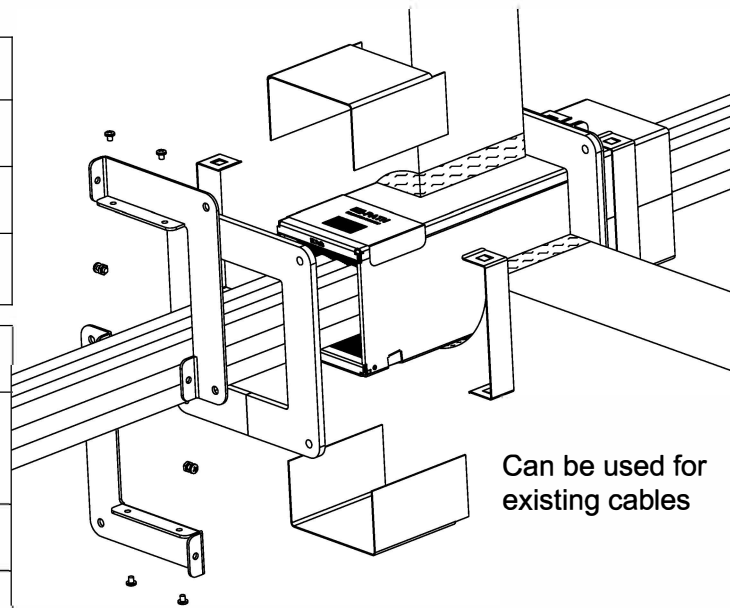


## EZ-Path® : CM350701

Plate kit for flexible and rigid walls

### Technical Data

Type of wall	Flexible and rigid	Rigid
Wall thickness	≥ 100 mm	≥ 150 mm
Cable diameter	OD ≤ Ø 21 mm	OD ≤ Ø 21 mm Telecommunication cables
Performance	EI90 / E120	EI120
Cable loading	0% to 100%	
Opening size	Ø152 - Ø155 mm or 118 x 105 mm	
Fire resistance	EN 1366-3 / EN13501-2	
Certification	ETA - 18/0412	



Max 16.6 mm Ø PVC tubes can be installed in EZ-Path® in association with cables. Please contact the local representative for more information

Not at scale. Units in millimeters

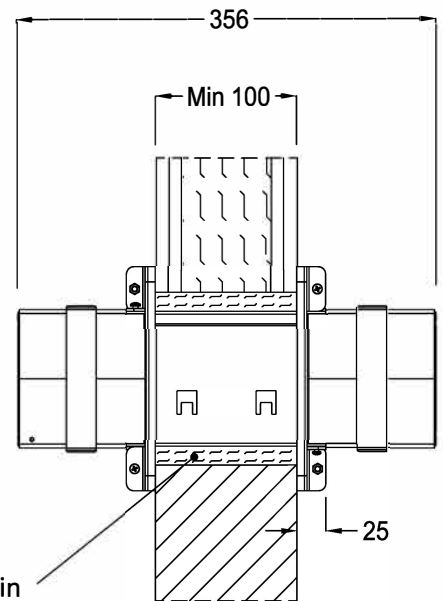
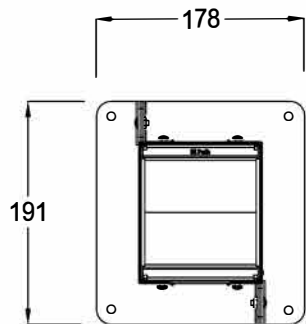
Please refer to the **CM350701 (EZP144RSE)** Installation Sheet

**CM350701 / EZP144RSE**

**CM250058 / EZD44T**

116 x 102 x 356 mm

Opening size (mm)



Stone wool  
min. 45 kg/m<sup>3</sup> in  
circular opening Ø

