


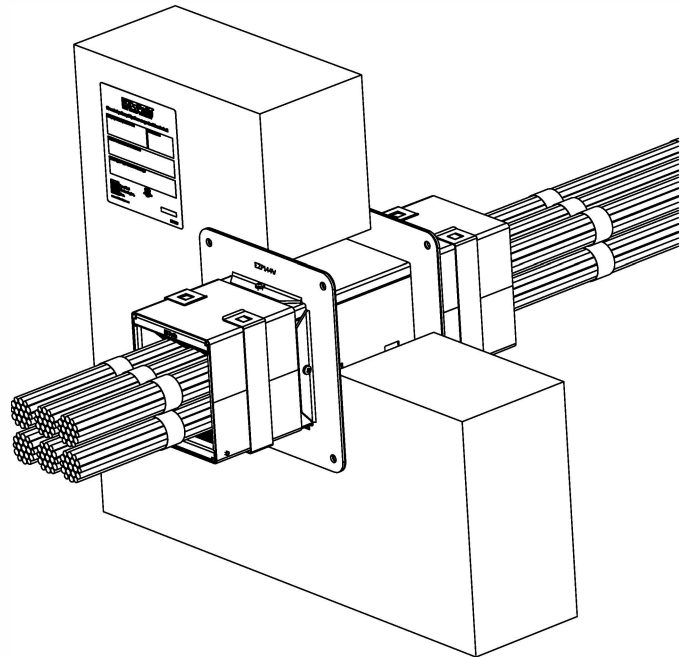
## EZ-Path® : CM350700

Plate kit for flexible and rigid walls

### Technical Data

Type of wall	Flexible and rigid	Rigid
Wall thickness	≥ 100 mm	≥ 150 mm
Cable diameter	OD ≤ Ø 21 mm	OD ≤ Ø 21 mm Telecommunication cables
Performance	EI90 / E120	EI120

Cable loading	0% to 100%
Opening size	Ø152 - Ø155 mm or 118 x 105 mm
Fire resistance	EN 1366-3 / EN13501-2
Certification 	ETA - 18/0412

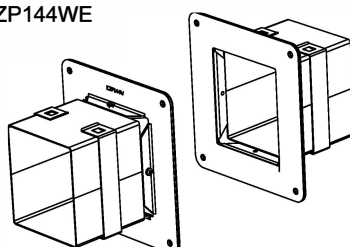


Max 16.6 mm Ø PVC tubes can be installed in EZ-Path® in association with cables. Please contact the local representative for more information

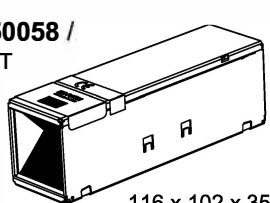
Not at scale. Units in millimeters

Please refer to the **CM350700 (EZP144WE)** Installation Sheet

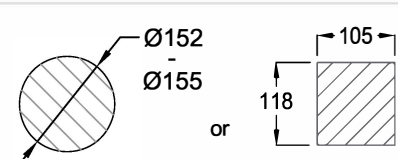
**CM350700 / EZP144WE**



**CM250058 / EZD44T**



116 x 102 x 356 mm



Opening size (mm)

