
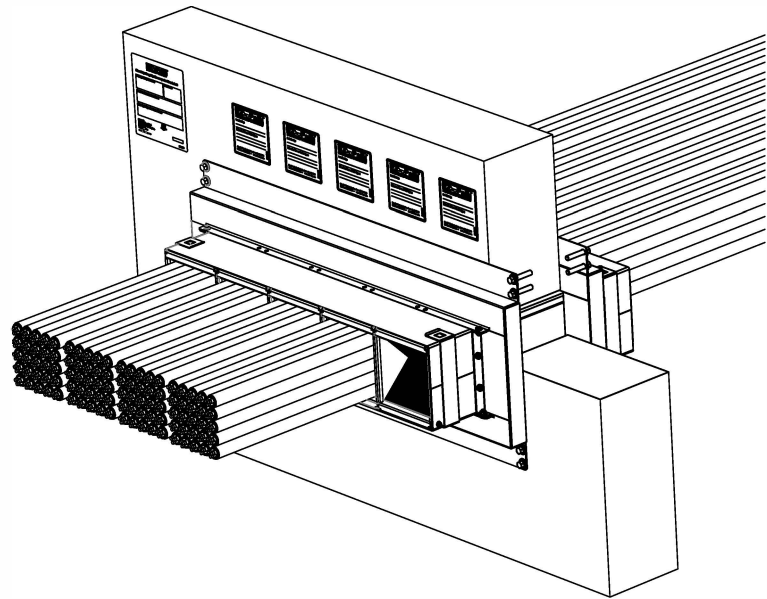


EZ-Path® : CM250250

Plate kit for flexible and rigid walls

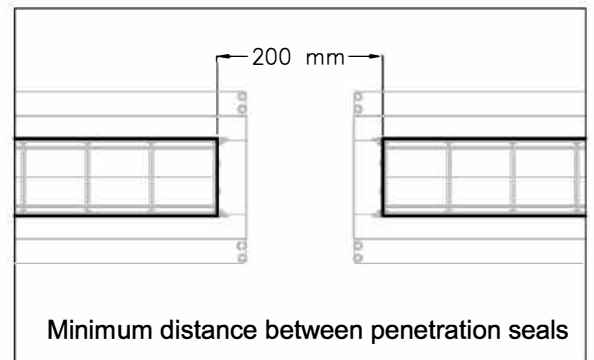
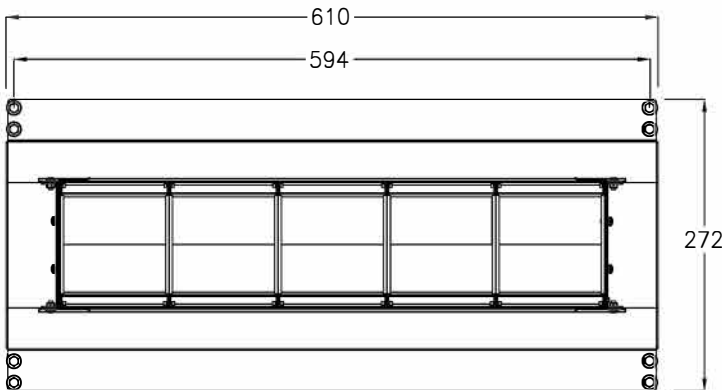
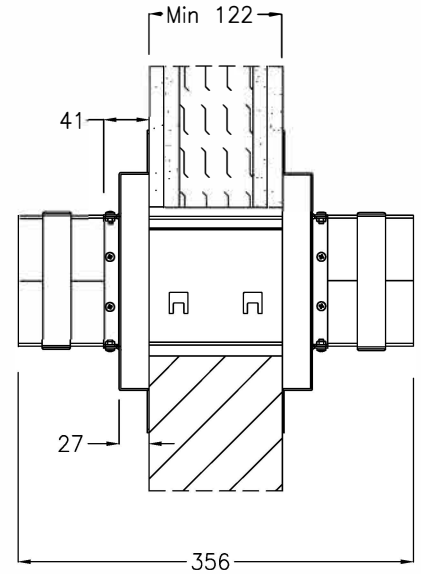
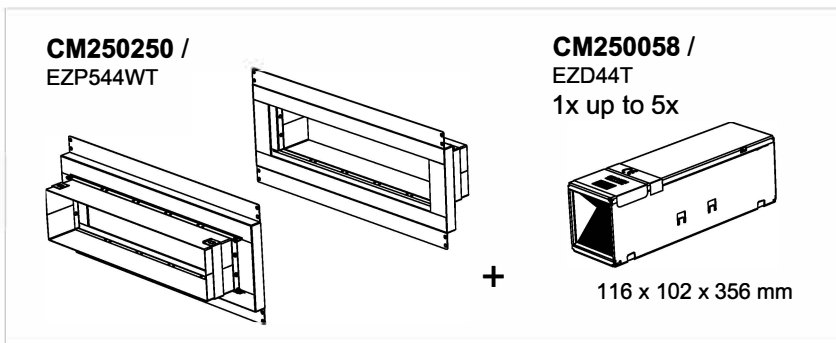
Technical Data

Type of wall	Flexible and rigid
Wall thickness	≥ 122 mm
Ø cable	OD ≤ Ø 21 mm
Cable loading	0% to 100%
Opening size	page 3/4
Performance	EI 120
Fire resistance	EN 1366-3 / EN 13501-2
Certification 	ETA - 18/0412



Not at scale. Units in millimeters


Please refer to the **CM250250** (EZP544WT) Installation Sheet

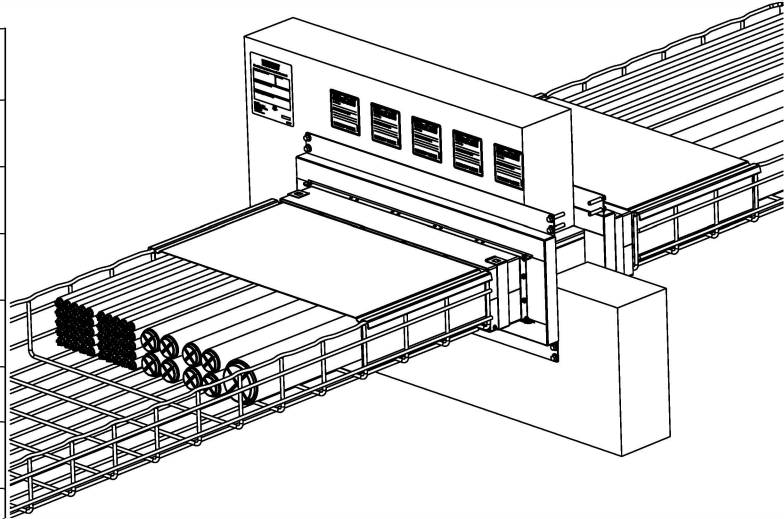


EZ-Path® : CM250250

Plate kit for flexible and rigid walls

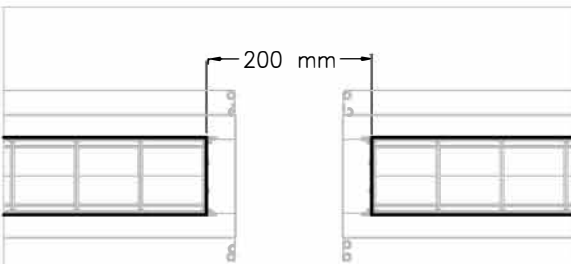
Technical Data

Type of wall	Flexible and rigid
Wall thickness	≥ 122 mm
Ø cable	Ø21mm < OD ≤ Ø80mm
Cable loading	0% to 100%
Opening size	page 3/4
Performance	EI 120
Fire resistance	EN 1366-3 / EN 13501-2
Certification 	ETA - 18/0412

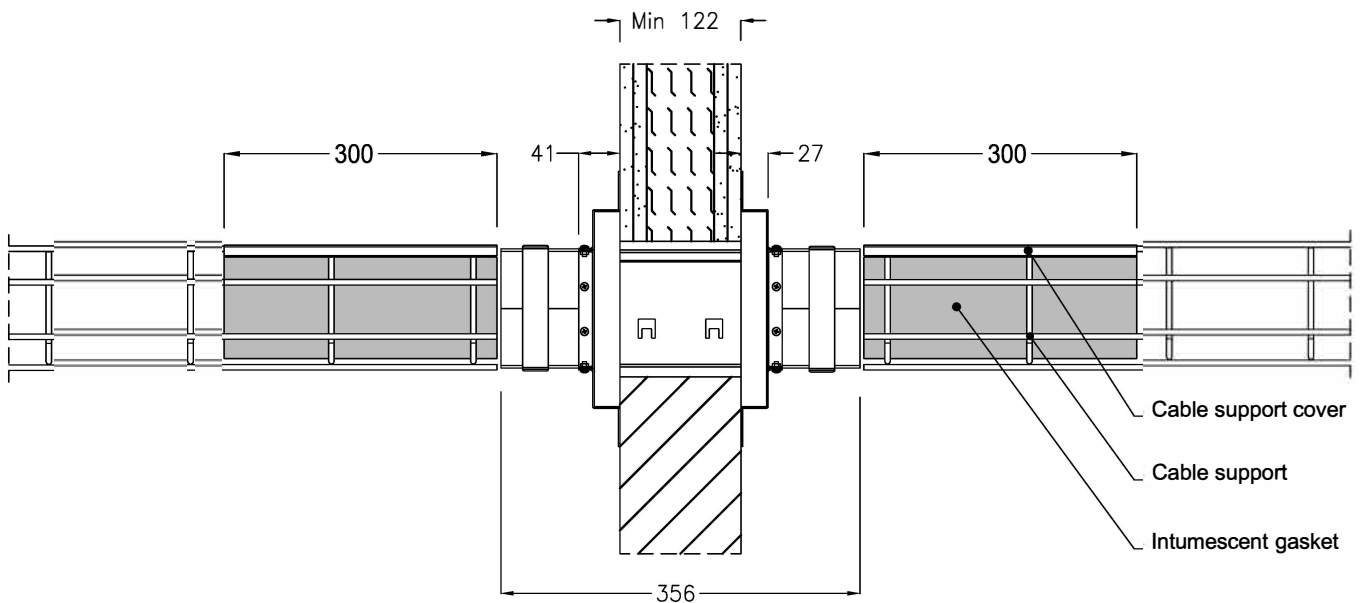
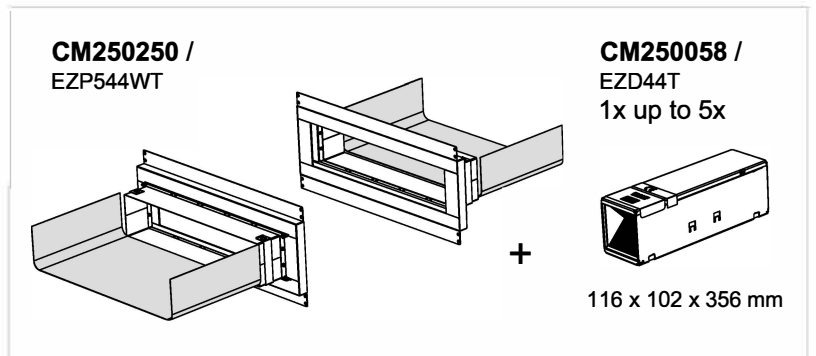


Not at scale. Units in millimeters

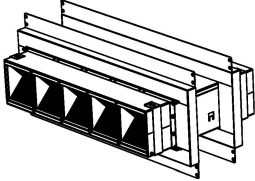
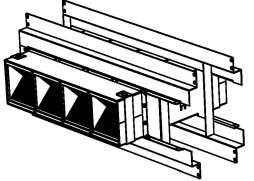
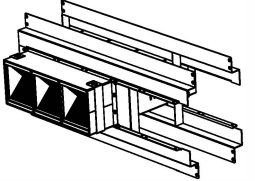
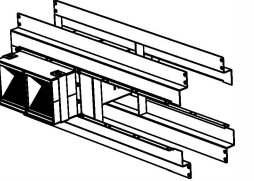
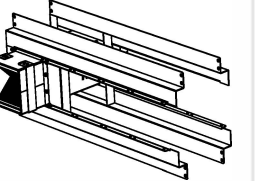
Please refer to the **CM250250** (EZP544WT) Installation Sheet



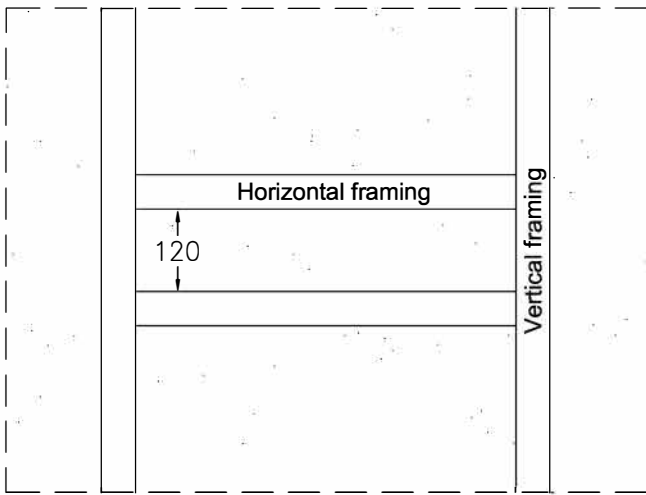
Minimum distance between penetration seals



Dimensions of openings

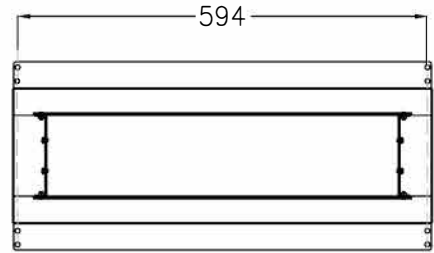
				
5 x CM250058 5 x EZD44T	4 x CM250058 4 x EZD44T	3 x CM250058 3 x EZD44T	2 x CM250058 2 x EZD44T	1 x CM250058 1 x EZD44T
Opening dimension 515 x 120 (mm)	Opening dimension 412 x 120 (mm)	Opening dimension 309 x 120 (mm)	Opening dimension 206 x 120 (mm)	Opening dimension 105 x 120 (mm)

Framing construction in flexible wall



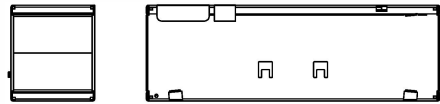
Distance between attachment holes = 594

CM250250 /
EZP544WT

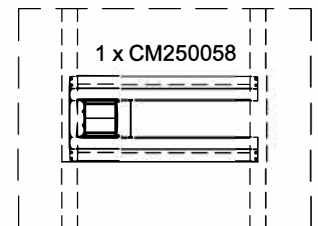
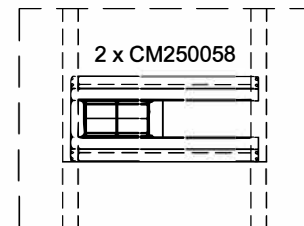
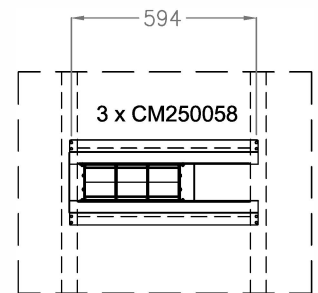
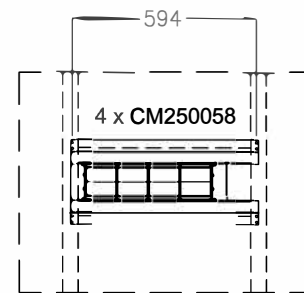
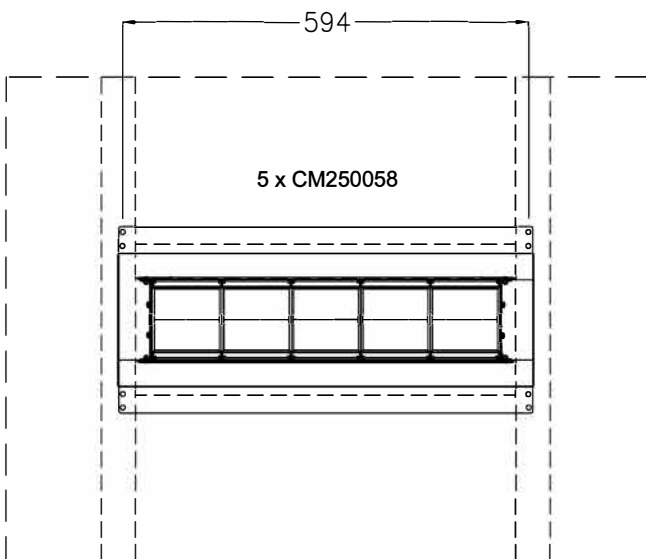


+

CM250058 /
EZD44T



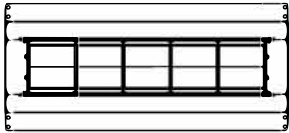
116 x 102 x 356 mm



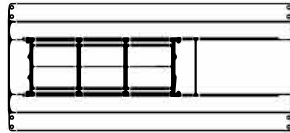
Not at scale. Units in millimeters

Please refer to the **CM250250** (EZP544WT) Installation Sheet

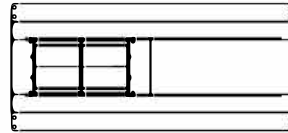
Dimensions and location of the opening



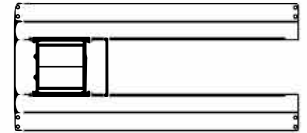
a	b	c
48	515	48



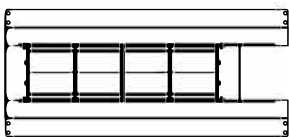
a	b	c
48	309	252



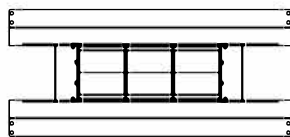
a	b	c
48	206	355



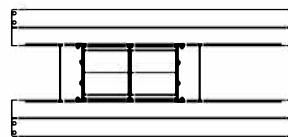
a	b	c
48	110	452



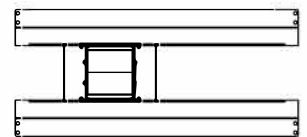
a	b	c
48	412	150



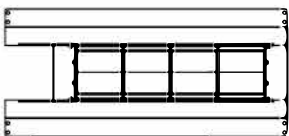
a	b	c
150	309	150



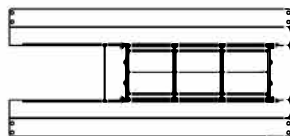
a	b	c
150	206	252



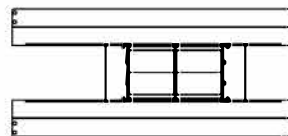
a	b	c
150	110	350



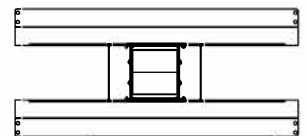
a	b	c
150	412	48



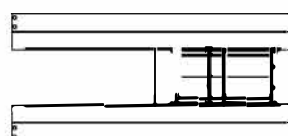
a	b	c
252	309	48



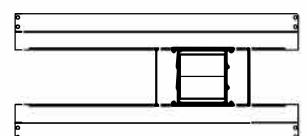
a	b	c
252	206	150



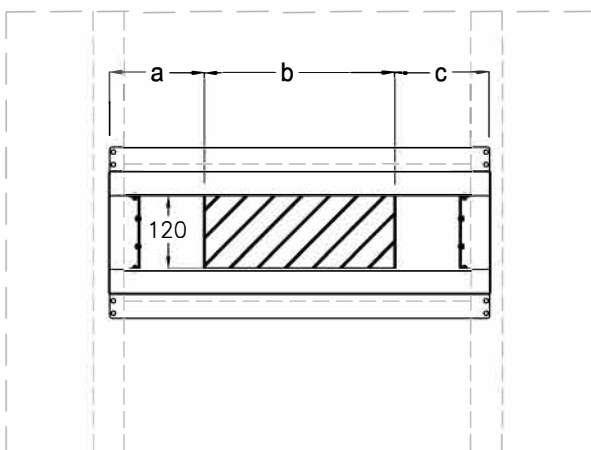
a	b	c
250	110	250



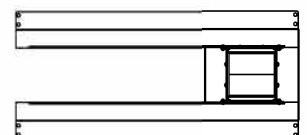
a	b	c
355	206	48



a	b	c
350	110	150



a = position of the opening from the left side of the **CM250250** (EZP544WT) plate
 b = opening width
 c = position of the opening from the right side of the **CM250250** (EZP544WT) plate
 120 mm = opening height
 Tolerance a / b / c = +/- 3mm



a	b	c
452	110	48