
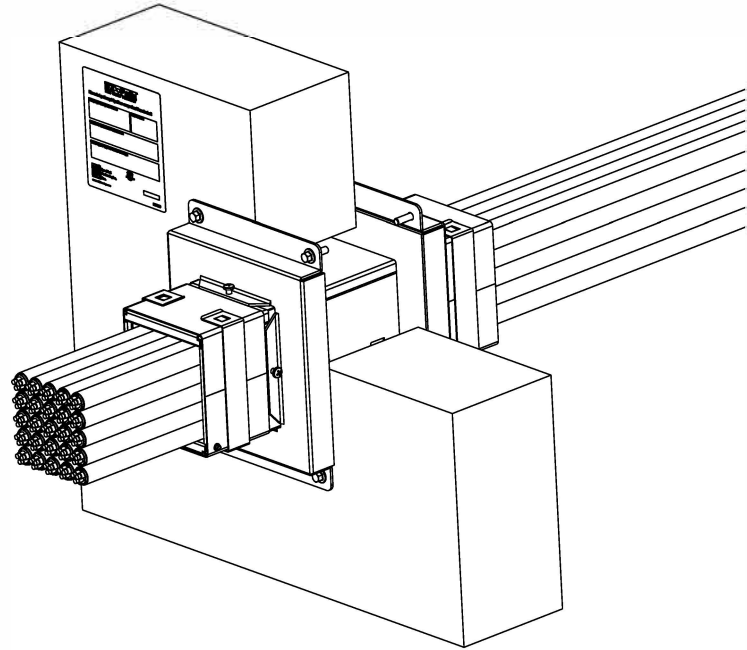


## EZ-Path® : CM250230

Plate kit for flexible and rigid walls

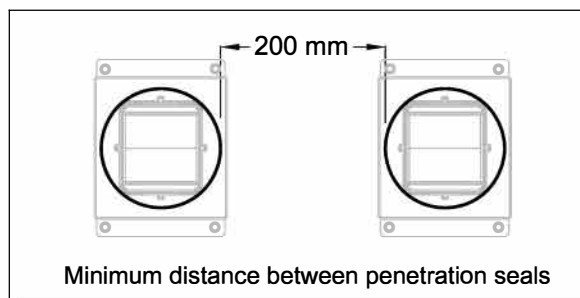
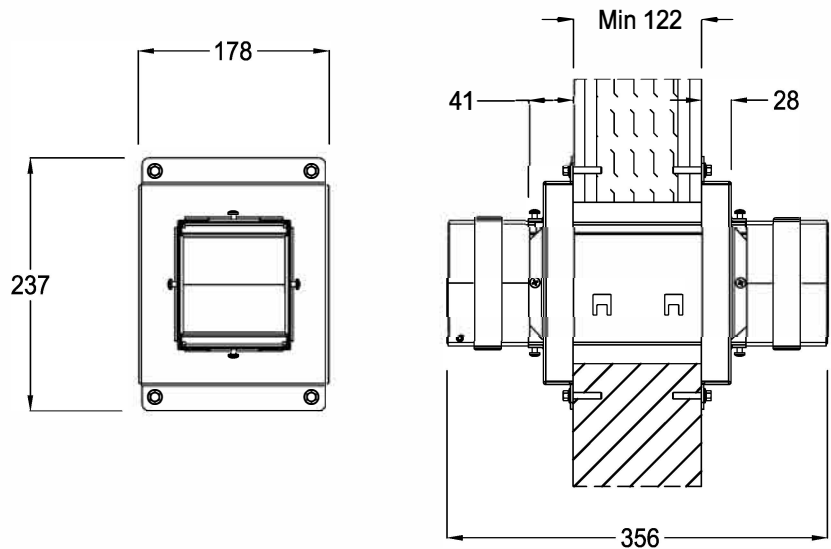
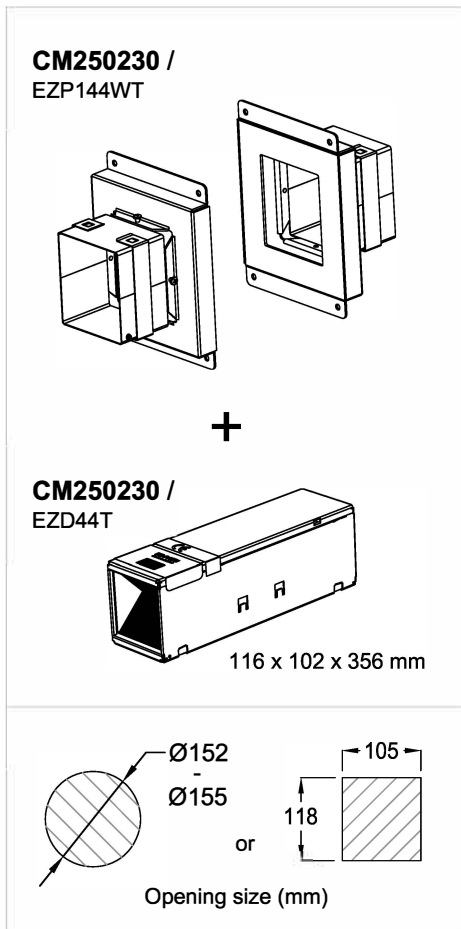
### Technical Data

Type of wall	Flexible and rigid
Wall thickness	≥ 122 mm
Cable diameter	OD ≤ Ø 21 mm
Cable loading	0% to 100%
Opening size	Ø152 - Ø155 mm or 118 x 105 mm
Fire resistance	EN 1366-3 / EN13501-2
Performance	EI 120
Certification 	ETA - 18/0412



Not at scale. Units in millimeters


Please refer to the **CM250230 (EZP144WT)** Installation Sheet

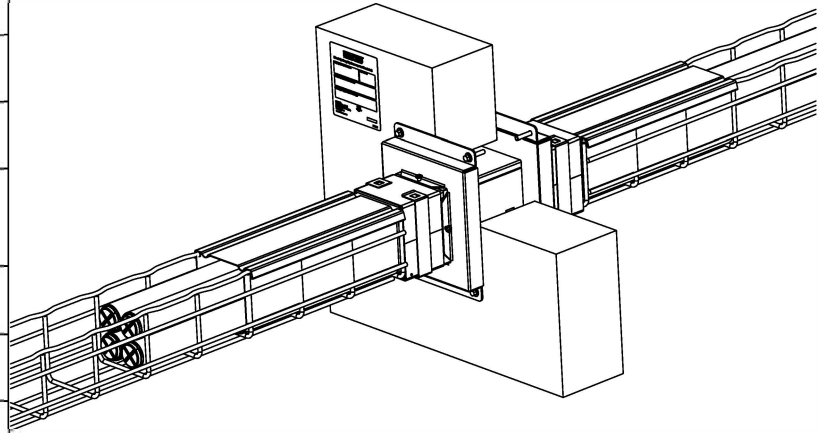


## EZ-Path® : CM250230

Plate kit for flexible and rigid walls

### Technical Data

Type of wall	Flexible and rigid
Wall thickness	≥ 122 mm
Cable diameter	Ø21mm < OD ≤ Ø80mm
Cable loading	0% to 100%
Opening size	Ø152 - Ø155 mm or 118 x 105 mm
Fire resistance	EN 1366-3 / EN13501-2
Performance	EI 120
Certification 	ETA - 18/0412



Not at scale. Units in millimeters

Please refer to the **CM250230 (EZP144WT)** Installation Sheet

