
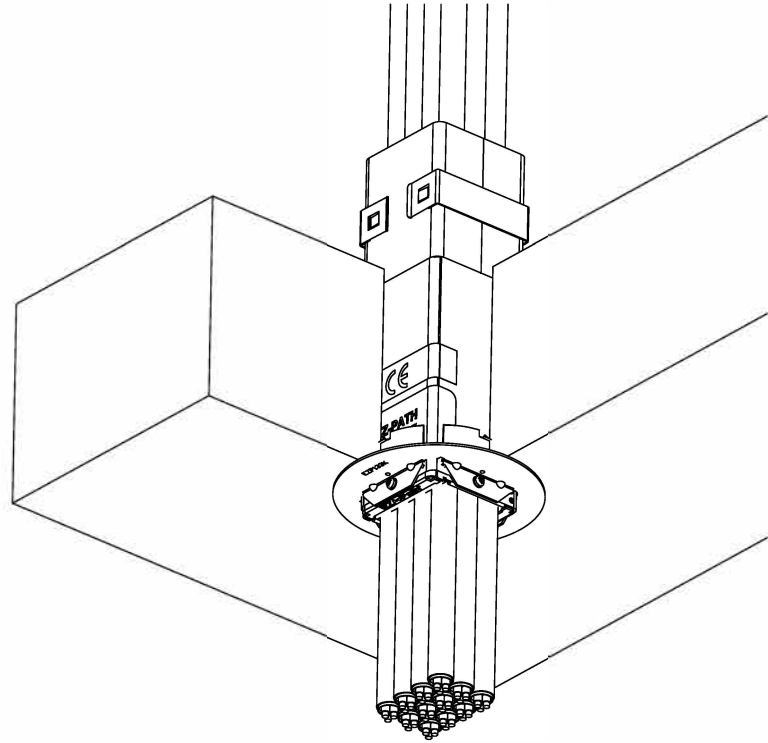


Technical Data

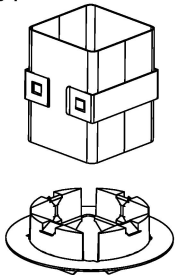
Floor thickness	≥ 150 mm
Cable diameter	OD ≤ Ø 21 mm
Cable loading	0% to 100%
Opening size	Ø 102 mm
Performance	EI120 / E240
Fire resistance	EN 1366-3 / EN 13501-2
Certification 	ETA - 18/0412



Not at scale. Units in millimeters

Please refer to **CM250220** (EZP133KT) Installation Sheet

CM250220 /
EZP133KT



+

CM250018 /
EZD33T

