

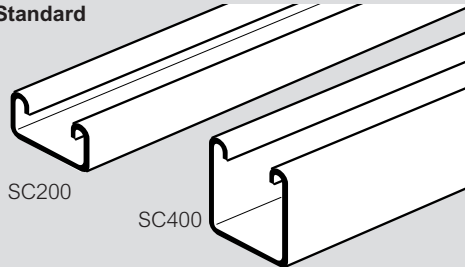
# Swiftrack® channel lengths

single channels – plain and slotted

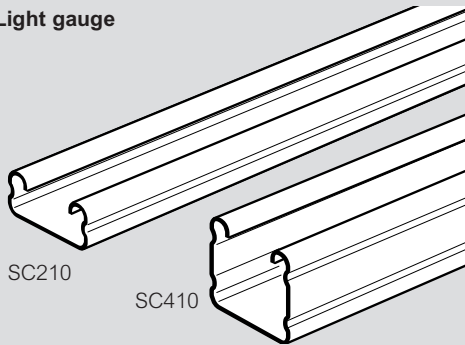
## Single channels – plain

Single channels are available in standard and light gauge options in 3 and 6 m lengths, supplied singly  
 Standard channels are cold rolled to BS 6946 from 2.5 mm pre-galvanised mild steel to BS EN 10346 : 2009 Grade S250GD + Z275  
 Light gauge channels are cold rolled from 1.5 mm pre-galvanised mild steel to BS EN 10346 : 2009 Grade S250GD + Z275  
 All single channels are designed to accept channel nuts, **p. 107**

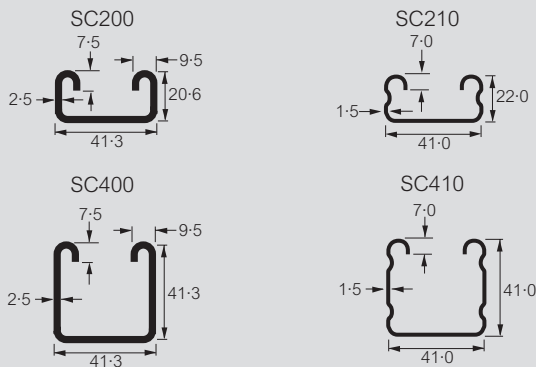
### Standard



### Light gauge



## Dimensions and weights



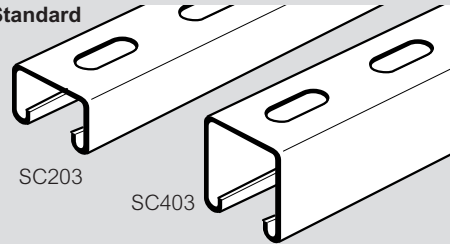
	Cat. Nos.		Weight (kg) per m
	3 m long	6 m long	
<b>Standard Channel</b>	SC200 3M	SC200 6M	1.8
	SC400 3M	SC400 6M	2.6
<b>Light gauge Channel</b>	SC210 3M	SC210 6M	1.2
	SC410 3M	SC410 6M	1.7

Cat. Nos. given are for standard finish single channel  
 For alternative finishes, see opposite

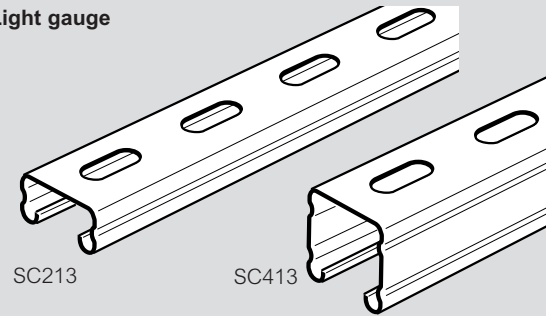
## Single channels – slotted

Slotted channels are available in standard and light gauge options in 3 and 6 m lengths, supplied singly  
 Swiftrack channels conform to BS 6946

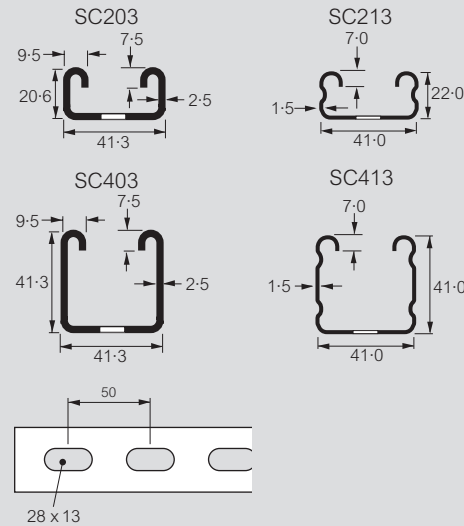
### Standard



### Light gauge



## Dimensions and weights



Slot pattern may differ on stainless steel channels

	Cat. Nos.		Weight (kg) per m
	3 m long	6 m long	
<b>Standard Channel</b>	SC203 3M	SC203 6M	1.8
	SC403 3M	SC403 6M	2.6
<b>Light gauge Channel</b>	SC213 3M	SC213 6M	1.2
	SC413 3M	SC413 6M	1.7

Cat. Nos. given are for standard finish single channel  
 For alternative finishes see below

### Weights

All weights given are in kilograms (kg) based on nominal thickness and are for pre-galvanised finish

For weights in alternative finishes contact us on +44 (0) 345 605 4333

## Finishes and standards

### Standard finish :

Pre-galvanised mild steel to BS EN 10346 : 2009 Grade S250GD + Z275 finish (structural grade)

### Alternative finishes :

G Hot dip galvanised after manufacture to BS EN ISO 1461

S Stainless steel to BS EN 10088 : 2005 Grade 1.4404 (equivalent to S316L31)

All dimensions (mm) are nominal