

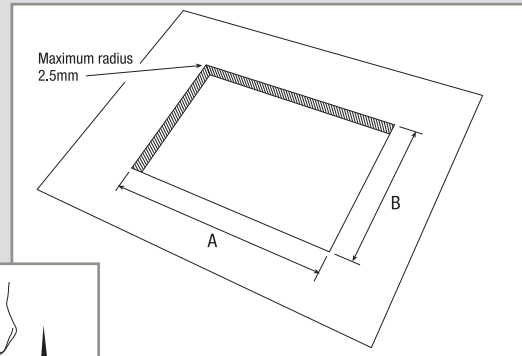
cavity floor service outlet boxes

installation

Cut hole in floor tile

1

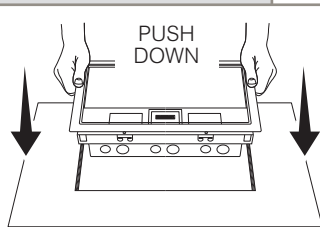
| | Minimum | Maximum | Minimum | Maximum |
|---------------|---------|---------|---------|---------|
| | A | | B | |
| 1 compartment | 165 mm | 167 mm | 203 mm | 205 mm |
| 2 compartment | 263 mm | 265 mm | 203 mm | 205 mm |
| 3 compartment | 340 mm | 342 mm | 203 mm | 205 mm |
| 4 compartment | 340 mm | 342 mm | 203 mm | 205 mm |



Install box

2

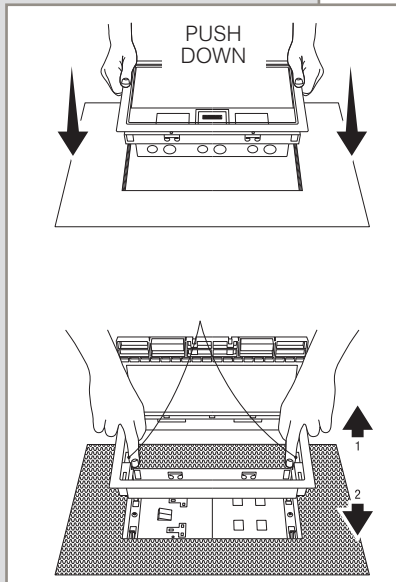
Lower base box into aperture and push firmly down
This will engage the fixing latches



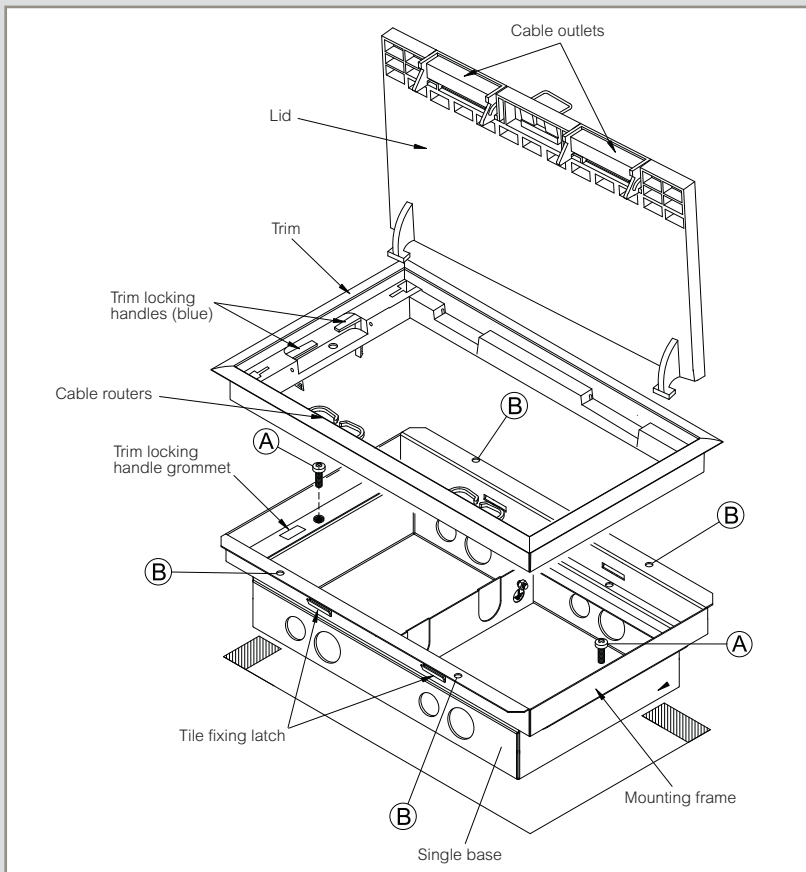
Fitting lid and trim

3

Lid and trim is a simple push fit
1 The ratchets allow the trim to find its own level on top of the final floor finish
2 To remove, lift out by releasing the blue locking handles



FOR SAFETY : All cables exiting boxes must be positioned into the cable routers on box trim and exit box via cable outlets
Lid and lid handle must always be placed in the closed positions
When using metal lid and trims, the lifting device at the centre of the lid is not to be used as a cable exit



Opening lid to an angle of 30° and lifting upwards will detach lid from trim. Inserting lid into the opposite side of trim will change direction of the lid

Cable routers can also be removed and attached to opposite side of trim

A) Base can be detached from mounting frame by releasing screws (A)
This enables the base to be connected to the services and left under floor tiles for protection until the carpet, lid and trim are fitted

B) Box can be screw fitted to floor tile by using holes (B) in mounting frame
(If hole in tile is outside maximum tolerance Use 4 x No.8 25 mm self tapping screws)