

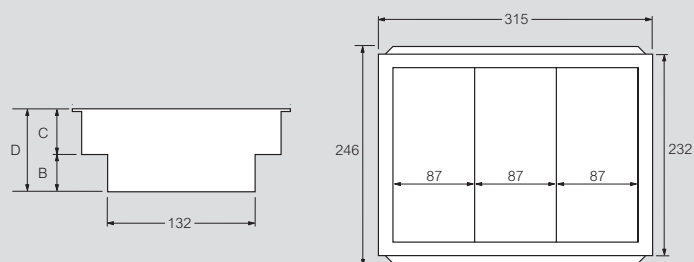
cavity floor service outlet boxes

technical information

■ Cavity floor service outlet boxes

Contractor floor box (Cat. No. CB3)

Cut-out 302-304 mm x 219-221 mm



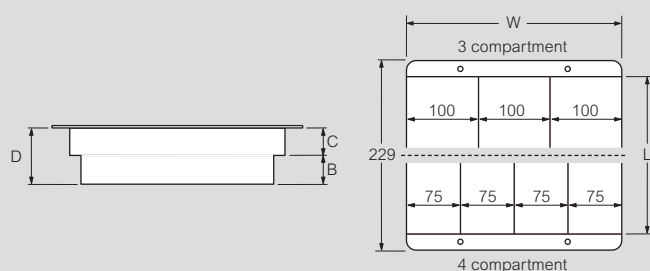
Floor box bases

Cat. No. CB3

Cat. No.	D	B	C	Cutout	
				W	L
CB3	81	35	46	303	220

Floor box bases

Cat. Nos. CAV1..., CAV2..., CAV3... and CAV4...



Cat. Nos.	D	B	C	Cutout		Plate Size
				W	L	
CAV185	85	45	40	165	203	100
CAV275	75	35	40	263	203	100
CAV285	85	45	40	263	203	100
CAV2110	110	45	65	263	203	100
CAV375	75	35	40	340	203	100
CAV385	85	45	40	340	203	100
CAV3110	110	45	65	340	203	100
CAV475	75	35	40	340	203	75
CAV485	85	45	40	340	203	75
CAV4110	110	45	65	340	203	75

Loading data

Load tests carried out to two standards BS EN (IEC) 61534 and BS EN (IEC) 50085

All tests performed in accordance to the above standards with boxes fitted with plastic lid and carpet trim assembly

Floor box – 1 & 2 compartment :

Small area (point load¹) – 1.5 kN

Large area (plate²) – 3.0 kN

Large Floor Box – 3 & 4 compartment :

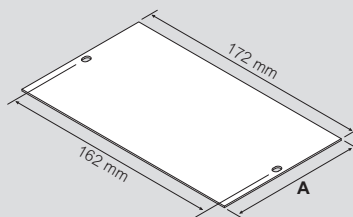
Small area (point load¹) – 1.0 kN

Large area (plate²) - 3.0 kN

1 : Point load test = 13.3 mm diameter

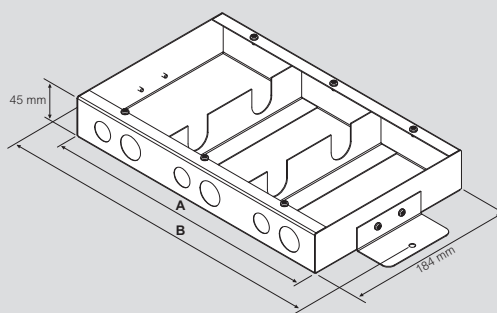
2 : Plate load test = 130.0 mm diameter

■ Outlet plates



	A
1, 2, 3 comp.	100
4 comp.	75

■ Slab boxes



Cat. Nos.	A	B
Slab 1	102	162
Slab 2	202	262
Slab 3	302	362
Slab 4	302	362

All dimensions (mm) are nominal