

CABLOFIL STEEL WIRE CABLE TRAY

PRODUCT TECHNICAL
GUIDE



POWERED BY SPECIALISTS

 **legrand**[®]

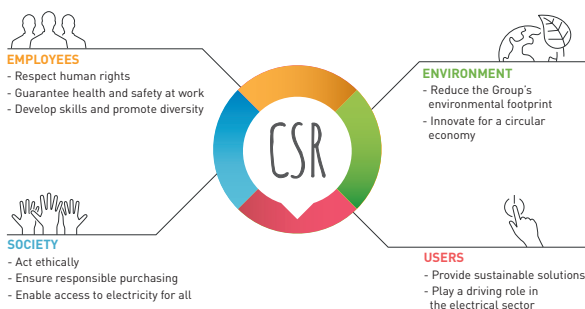
Global strength built on local knowledge

Legrand is the global specialist in electrical and digital building infrastructures. Innovation is the driving force behind its development.

With an increasing investment in research and development (circa 5% of sales) and more than 4,000 active patents, the Legrand Group is focused on maintaining a high rate of new product launches that present innovative solutions to the market.

CORPORATE SOCIAL RESPONSIBILITY

Legrand's 2014-2018 CSR roadmap is a natural extension to the governance and sustainable development approach in which the company has been engaged for many years. The CSR roadmap firmly asserts Legrand's ongoing commitment to sustainable development.





INTRODUCTION

Legrand... the cable management expert	2
Complete cable management solutions	3
Cablofil range overview	4
EZ+...for when the going gets tough	6 - 7

PRODUCT SELECTION

Straight lengths	11 - 16
Dividers and covers	17 - 19
Couplers and fixing kits	20 - 23
Wall mounting	24 - 28
Ceiling mounting	29 - 33
Floor / beam / other mounting	34 - 41

TECHNICAL SPECIFICATIONS

Straight lengths	44 - 55
Dividers and covers	56 - 58
Couplers and fixing kits	59 - 67
Wall mounting	68 - 79
Ceiling mounting	80 - 91
Floor / beam / other mounting	92 - 109

INSTALLATION GUIDE

How to cut steel wire cable tray	112 - 113
Creating radius bends	114 - 119
Fabricating other fittings	120 - 127

DESIGN NOTES

Selecting the right finish	130 - 131
Finishes	132 - 133
Installation of services	134 - 139

CONTENTS



LEGRAND

the cable management expert

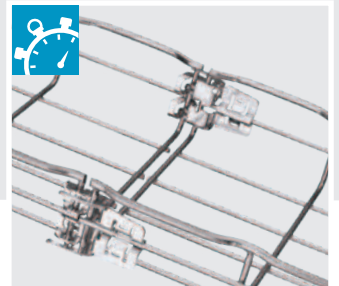
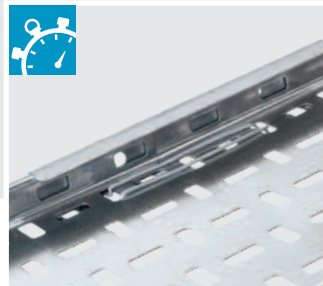
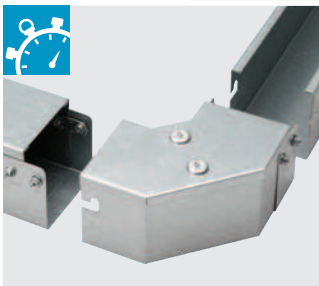


Three simple steps to better cable management...

We continually look for ways to improve our product ranges. In the case of cable management, every improvement we make has the installer in mind and is based around the three areas that make up our 'Faster by Design' ethos:

- | | | |
|--------------------------|--------------------------|-------------------------|
| 1 | 2 | 3 |
| EASIER TO INSTALL | FASTER TO INSTALL | FEWER COMPONENTS |

Our products are not only faster to install, they're also easier to handle and require less time on site to fit - reducing the total installed cost of your project.



Supporting you and your project

With in-depth knowledge and experience, our expert cable management team provides you with the support and advice you need for your installation. We also offer a range of free CPD seminars and a wealth of resources are available on our website to help you with your project.

You will find the following helpful items on our website, www.legrand.co.uk:

- BIM files and Product Data Sheets (PDSs)
- CPD accredited seminars
- Product technical guides
- PEPs (Product Environmental Profiles)
- 'How to' videos and CGIs demonstrating our product ranges



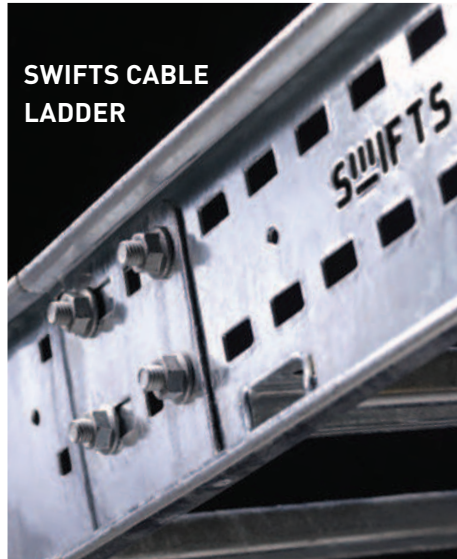
FIND OUT MORE...
www.legrand.co.uk

COMPLETE CABLE MANAGEMENT SOLUTIONS

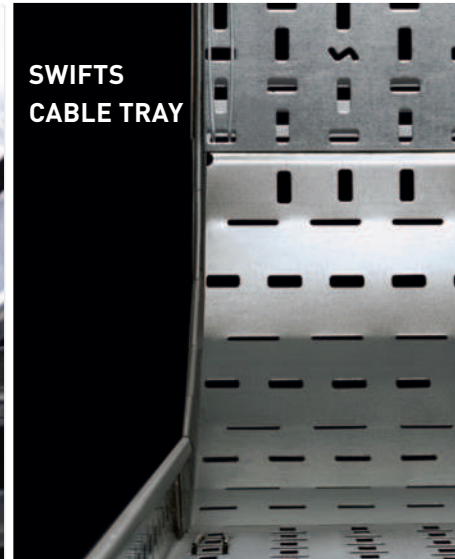
Using its global strength and market leading position, Legrand has developed a complete range of cable management solutions, including:

- Swifts cable ladder
- Swifts cable tray
- Salamandre distribution trunking and lighting trunking
- Cablofil steel wire cable tray
- Floor systems
- Perimeter systems

SWIFTS CABLE LADDER




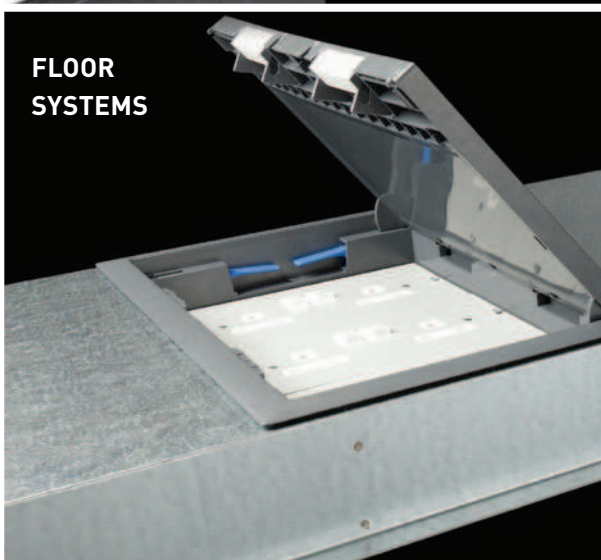
SWIFTS CABLE TRAY



SALAMANDRE DISTRIBUTION TRUNKING



FLOOR SYSTEMS

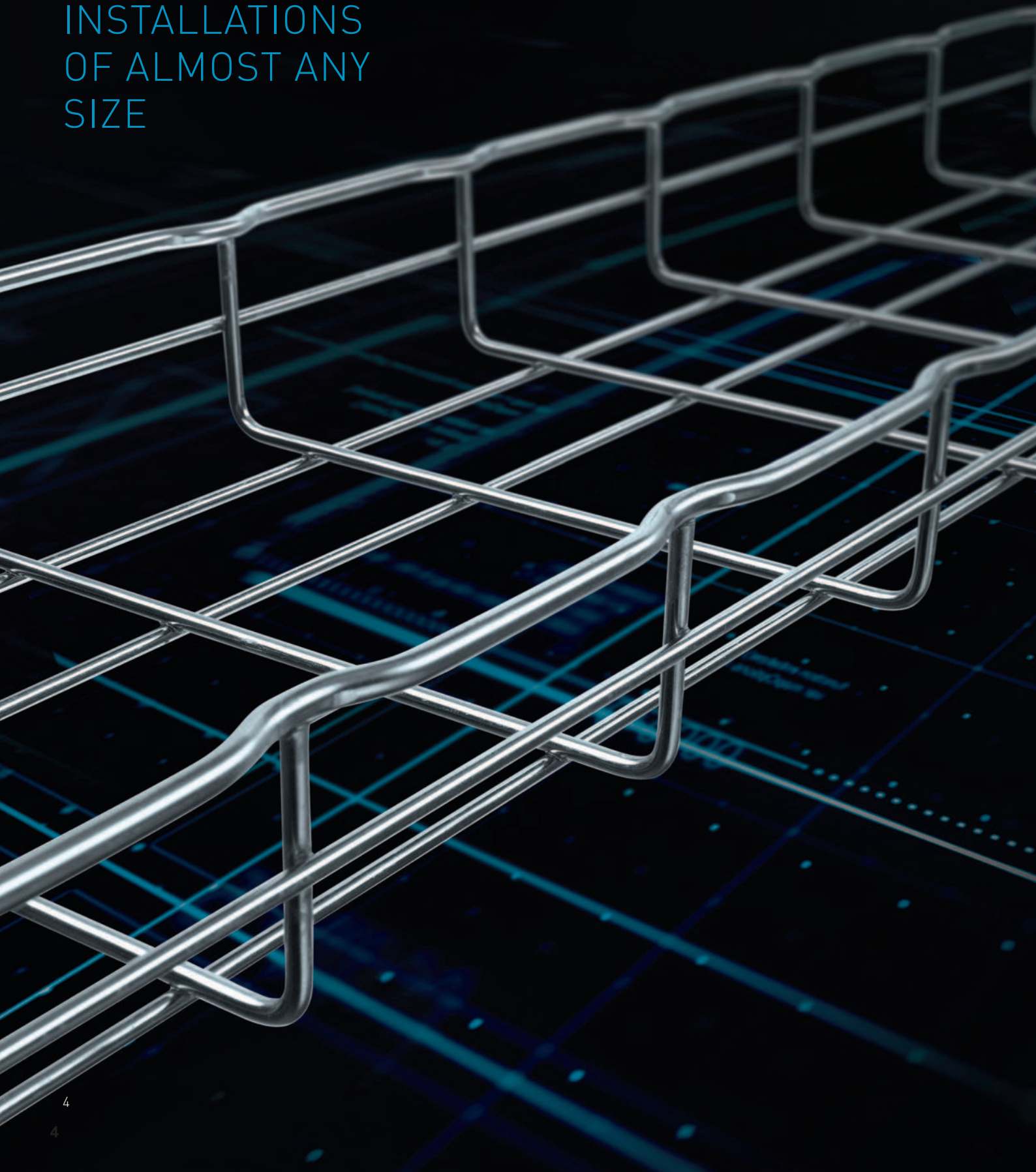


Cablofil...
trusted for
installations
large and small

Cablofil steel wire cable tray has been tried and tested in installations of all sizes throughout the UK and beyond, from light duty requirements in small commercial buildings through to extra heavy duty installations in refineries and heavy industry applications such as shipbuilding.



A ROBUST, VERSATILE
CABLE MANAGEMENT
SOLUTION FOR
INSTALLATIONS
OF ALMOST ANY
SIZE



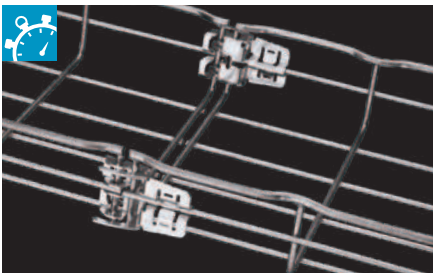
CABLOFIL

THE LEADER IN STEEL WIRE CABLE TRAY

DESIGNED TO
BE EASY TO
INSTALL &
CONFIGURE
ON SITE

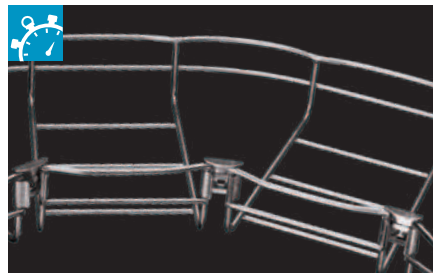
Choose Cablofil for fast,
simple, reliable installations

Cablofil steel wire cable tray is supplied in straight lengths from which sophisticated installations can be created without the need for additional fittings. Simply cut and shape lengths to form bends, tees, crosspieces etc. and secure quickly and easily using a range of 'slot and tab' fixings that do not require nuts and bolts.



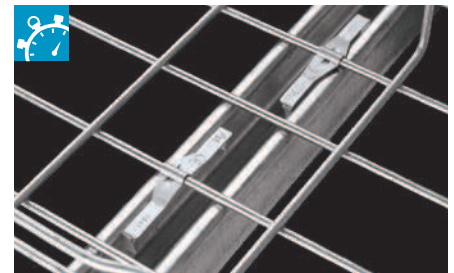
FASCLIC AUTO

This range of 54 mm deep steel wire cable tray is supplied complete with pre-fitted couplers for quick and easy connection of straight lengths. Lengths simply clip together without the need for additional fasteners.



FASLOCK AUTO

The simple answer to fabricating fittings on site. Create radius bends in minutes with Faslock Auto. No additional fasteners (or fuss) required.



FASTRUT 41

A push-fit clip designed to secure steel wire cable tray to channel support or channel type cantilever arms.

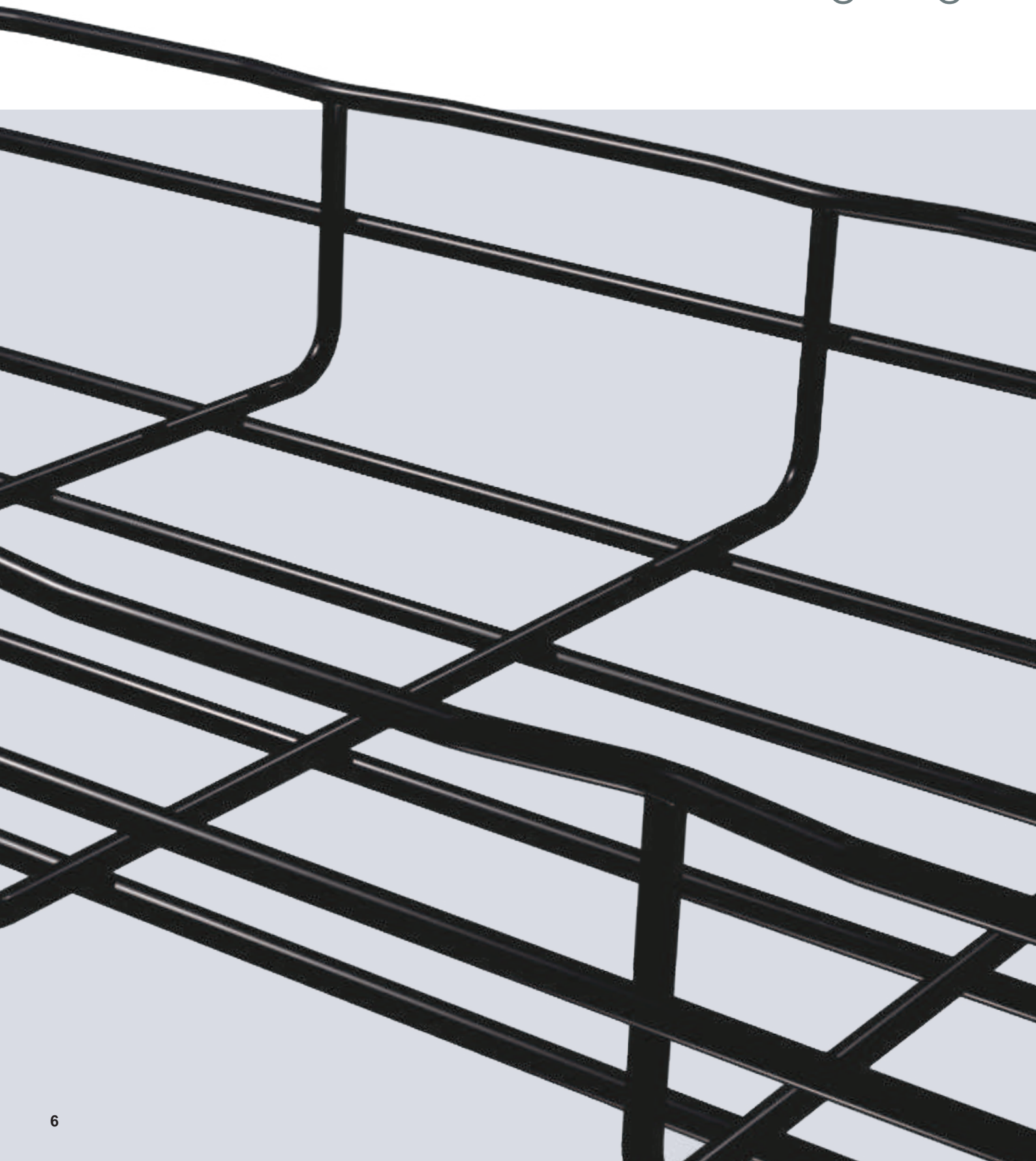
FIND OUT
MORE...
www.legrand.co.uk



PRODUCT RANGE FEATURES

- Vast range of supports for wall, ceiling and floor mounting
- Save on installation time with Cablofil's fast fix brackets and fixing kits
- Eradicate the need for nuts and bolts with Cablofil's 'slot & tab' boltless system
- Straight lengths available with pre-fitted couplers for rapid connection
- Natural ventilation provides greater cable efficiency
- Available in several finishes to suit different installation requirements

EZ + ... for when the going



GETS TOUGH!

INCREASED LIFE EXPECTANCY IN DEMANDING ENVIRONMENTS

Potentially corrosive environments such as tunnels, airports and energy production facilities call for tough products that can stand the test of time. Cablofil's latest innovation in surface treatment, EZ+, has been proven to live up to the challenge.

EZ+ is an additional finish applied over standard electrozinc plated steel wire cable trays, offering a durable surface treatment for temporary external installations during the construction phase.

In addition to Cablofil's unique rounded wires and T-welded safety edges, the EZ+ coating provides a smooth, consistent surface which further reduces the risk of damage to both the cables and the installer.

See page 11 onward for the full range

ADDITIONS TO THE RANGE



COUPLERS

Our popular EDRN quick-fit couplers are now available in EZ+ which provides both a durable finish and an aesthetically pleasing installation.



ON SITE FABRICATION

Create bends, tees and crosspieces using a range of matching fixings and fasteners.



SUPPORTS

A range of wall, ceiling and floor mounting options are available in the EZ+ range.



product selecti

PRODUCT SELECTION

STRAIGHT LENGTHS / DIVIDERS / COVERS

54 mm deep tray (CF54)	11
FASCLIC AUTO (FCFA54) / FASCLIC (FCF54)	12
105 mm (CF105) / 30 mm deep tray (CF30)	13
80 mm (CF80) / 150 mm (CF150) deep tray / G-tray (CFG)	14
Heavy duty tray 105 mm (HDF105) / 80 mm (TRIHDF)	15
Mini tray (TXF35) / flexible tray (G-MINI)	16
Straight length dividers (COT - COT J)	17
Bend dividers (COTFIL - COTFILU)	17
Covers (CP / CVN) / cover clips (F01/02/03)	18 - 19

COUPLERS AND FIXING KITS

Length to length couplers (EDRN / AUTOCLIC)	20
Joint strips (Z240 / ED275 / ED1100 / ED250/90)	20
Connectors (FASLOCK AUTO)	21
Base couplers (CEFAS)	21
Stand-off brackets (R15/25/35)	21
Channel fixings (FASTRUT 41 / CE40)	22
Fixing kits and components	22 - 23

WALL MOUNTING

Base and side wire mounting (UC50 / CAT30 / CAT40 / CM50 / CM50XL)	24
Cantilever arms (CSN / CSNC / CB / CLN / CC21S)	25 - 27
Stand-off brackets (R15/25/35/50)	27
Fast fix support rails (RCSN) / mounting rails (EDF / R41SP)	28

CEILING MOUNTING

Central hangers and plates (SF50/100 / SL50 / CEQ / UC50 / SAS / CE40 / CM50XL / SCF / PFSCF / UCS)	29 - 31
Trapeze hangers (AS)	32
Profile mounting (CSNC)	32
Pendant mounting (RCSN / EDF / PFREDF / R41SP / PFR41S)	33

FLOOR / BEAM / OTHER MOUNTING

Floor mounting (CM50XL / RCSN / R15/25/35/50 / FTX / UC50 / UFC)	34 - 35
Beam mounting (CLMFAS / CLMU / EF)	36
Universal mounting plates (CM50 / CM50XL / CAT40 / CM50XXL)	37
Take-off plates (SBDN)	38
Luminaire supports (SL50/100)	38
Multifix base plates (MFM / MFPOLYA)	38
Cabling accessories (DEV100 / DEV50 / FAS ROLLER / CABLOGRIP / CLIP / PA)	39
Earthing (BLF / SBU / GRIFEQUIP / GRIFEQUIP 2)	40
Fixings and fasteners / tools	41

Cablofil®

key to finishes and symbols

■ Key to finishes

Symbol	Description
GS	Pre-galvanised
EZ	Electrogalvanised after manufacture
EZ+	Additional coating after electrogalvanisation (black)
ZN+	Zinc nickel plus additional coating (black)
GC	Hot dip galvanised after manufacture
DC	Zinc rich coating
ZM	Zinc magnesium
304L	Stainless steel 304 L
316L	Stainless steel 316 L

For detailed information related to finishes, refer to p. 132-133

■ Recommended finishes for different environments

Typical atmospheric environments in relation to suitability of finishes

○ Recommended ◆ Possible	EZ	EZ+	GC	304L	316L
Internal installation, normal environment	○				
External installation, urban environment		◆	○		
Temporary external installation during construction phase		○			
Chemical industries, nitrate explosives, photography, decoration					○
Marine, harsh, sulphurous (weak concentration) environments					○
Acid or alkaline environments				◆	○
Food production environment				○	○
Halogen environment					○

■ Compatible finishes

Various finishes can be used in conjunction with each other when installing a system. See below :

Finish of straight lengths	EZ	EZ+	GC	304L	316L
Compatible finishes of accessories (e.g. supports, couplers etc.)	GS	EZ+	GC	304L	316L
	EZ	ZN+	DC	316L	
		GC	ZM		
		DC			
		ZM			

■ Colour code identification



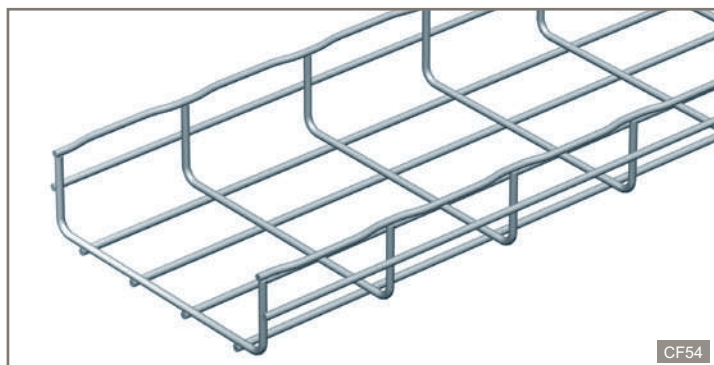
The surface treatment can be identified by a colour coded clip. Each colour corresponds with a particular finish, i.e. yellow clip = EZ

■ Key to symbols

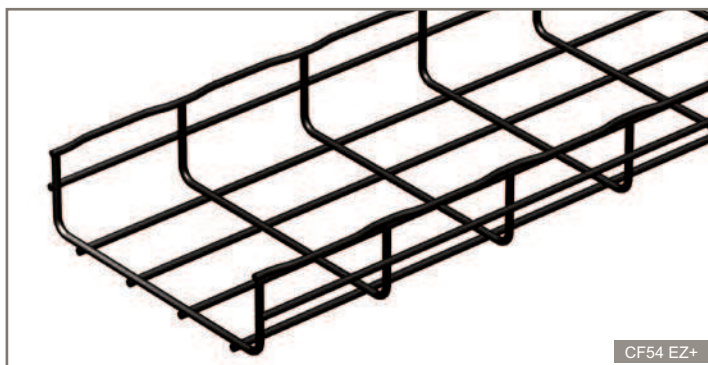
Symbol	Description
	Fixing without nuts and bolts
	Fixing with nuts and bolts
	Fast assembling
	Fast assembling system (FAS)
	Patented
	Safety edge
P1500	Supports at 1.5 m span
P2000	Supports at 2.0 m span
P6000	Supports at 6.0 m span
W	Width
	Length
	Height
	Practical safety load in daN
	Coupling

straight lengths – CF54

straight lengths – CF54 EZ+



CF54



CF54 EZ+

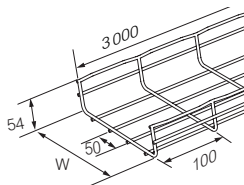
Loading graphs p. 44
Dimensions and technical information p. 44

Loading graphs p. 44
Dimensions and technical information p. 44

NOTE : please use Cat. No. when placing your order

NOTE : please use Cat. No. when placing your order

Pack	Cat. Nos.		CF54 – straight lengths (3 m)	
			$\downarrow \uparrow$ 54 mm	$\leftarrow \rightarrow$ 50 mm \rightarrow 600 mm \rightleftarrows 3 m
			For length to length coupling options : • EDRN • AUTOCLIC • ED275 + KITFIXTR / KITFIXVS • KITASSTR / KITASSVS see p. 20-23	
	EZ	GC		
1	CM000061	CM000063	CF54/50	Width (mm) 50
1	CM000071	CM000073	CF54/100	100
1	CM000081	CM000083	CF54/150	150
1	CM000091	CM000093	CF54/200	200
1	CM000101	CM000103	CF54/300	300
1	CM000201	CM000203	CF54/400	400
1	CM000251	CM000253	CF54/450	450
1	CM000301	CM000303	CF54/500	500
1	CM000401	CM000403	CF54/600	600



Pack	Cat. Nos.		CF54 EZ+ – straight lengths (3 m)	
			$\downarrow \uparrow$ 54 mm	$\leftarrow \rightarrow$ 50 mm \rightarrow 600 mm \rightleftarrows 3 m
			Colour : black For length to length coupling options : • EDRN • KITASSTR see p. 20-23	
		EZ+		
1	CM000062		CF54/50	Width (mm) 50
1	CM000072		CF54/100	100
1	CM000082		CF54/150	150
1	CM000092		CF54/200	200
1	CM000102		CF54/300	300
1	CM000202		CF54/400	400
1	CM000252		CF54/450	450
1	CM000302		CF54/500	500
1	CM000402		CF54/600	600

Pack	Cat. Nos.		CF54 stainless steel – straight lengths (3 m)	
			$\downarrow \uparrow$ 54 mm	$\leftarrow \rightarrow$ 50 mm \rightarrow 600 mm \rightleftarrows 3 m
			For length to length coupling options : • AUTOCLIC • ED275 + CE25 + BTRCC 6 x 20 • KITASSTR / KITINOX see p. 20-23	
	304L	316L		
1	CM000068	CM000064	CF54/50	Width (mm) 50
1	CM000078	CM000074	CF54/100	100
1	CM000088	CM000084	CF54/150	150
1	CM000098	CM000094	CF54/200	200
1	CM000108	CM000104	CF54/300	300
1	CM000208	CM000204	CF54/400	400
1	CM000258	CM000254	CF54/450	450
1	CM000308	CM000304	CF54/500	500
1	CM000408	CM000404	CF54/600	600

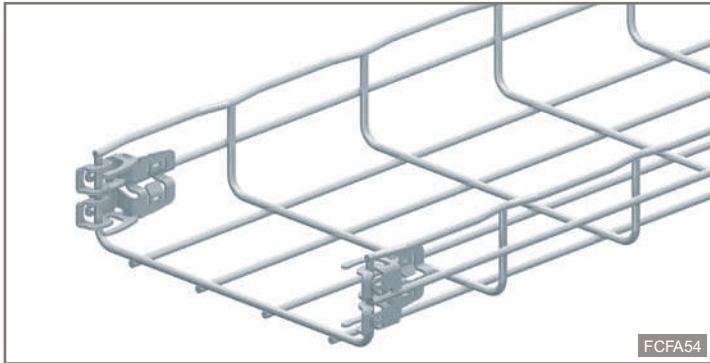
Key: EZ	Electrogalvanised after manufacture	304L	Stainless steel 304 L
EZ+	Additional coating after electrogalvanisation (black)	316L	Stainless steel 316 L
GC	Hot dip galvanised after manufacture		

For detailed information related to finishes, refer to p. 132-133

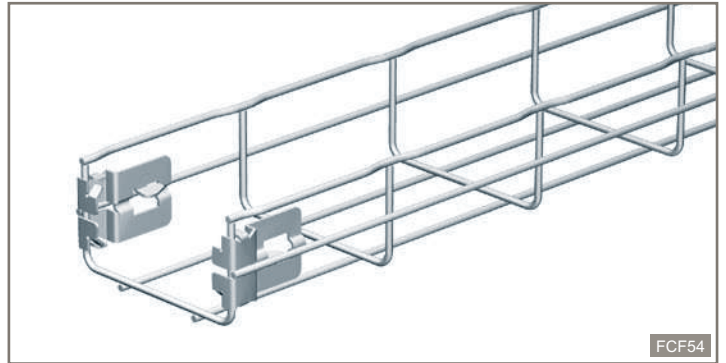
All dimensions (mm) are nominal

straight lengths – FCFA54 (FASCLIC AUTO)

straight lengths – FCF54 (FASCLIC)



FCFA54



FCF54

Loading graphs **p. 45**
Dimensions and technical information **p. 45**

NOTE : please use Cat. No. when placing your order

Pack	Cat. Nos.	FCFA54 – straight lengths (3 m)	
	EZ	↓↑ 54 mm	↔ 50 mm → 600 mm ↔ 3 m
			Width (mm)
1	CM082061	FCFA54/50	50
1	CM082071	FCFA54/100	100
1	CM082081	FCFA54/150	150
1	CM082091	FCFA54/200	200
1	CM082101	FCFA54/300	300
1	CM082201	FCFA54/400	400
1	CM082251	FCFA54/450	450
1	CM082301	FCFA54/500	500
1	CM082401	FCFA54/600	600

Loading graphs **p. 46**
Dimensions and technical information **p. 46**

NOTE : please use Cat. No. when placing your order

Pack	Cat. Nos.		FCF54 stainless steel – straight lengths (3 m)	
	304L	316L	↓↑ 54 mm	↔ 50 mm → 200 mm ↔ 3 m
				Width (mm)
1	CM081068	CM081064	FCF54/50	50
1	CM081078	CM081074	FCF54/100	100
1	CM081088	CM081084	FCF54/150	150
1	CM081098	CM081094	FCF54/200	200

Key: **EZ** Electrogalvanised after manufacture
GC Hot dip galvanised after manufacture

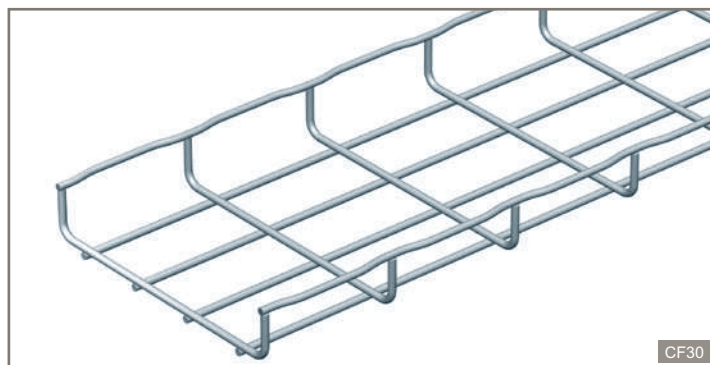
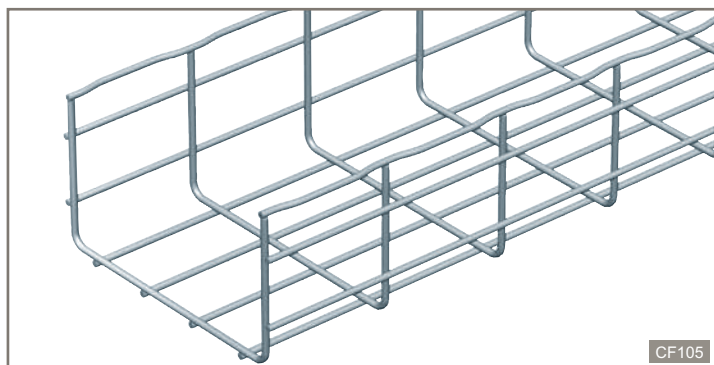
304L Stainless steel 304 L
316L Stainless steel 316 L

For detailed information related to finishes, refer to **p. 132-133**

All dimensions (mm) are nominal

straight lengths – CF105

straight lengths – CF30



Loading graphs **p. 47**
Dimensions and technical information **p. 47**

NOTE : please use Cat. No. when placing your order

Pack	Cat. Nos.		CF105 – straight lengths (3 m)	
	EZ	GC	$\updownarrow 105 \text{ mm}$ $\curvearrowright 100 \text{ mm}$ $\rightarrow 600 \text{ mm}$ $\rightleftarrows 3 \text{ m}$ For length to length coupling options : • EDRN • AUTOCLIC • ED275 + KITFIXTR / KITFIXVS • KITASSTR / KITASSVS see p. 20-23	
			Width (mm)	
1	CM000891	CM000893	CF105/100	100
1	CM000901	CM000903	CF105/150	150
1	CM000911	CM000913	CF105/200	200
1	CM000921	CM000923	CF105/300	300
1	CM000931	CM000933	CF105/400	400
1	CM001931	CM001933	CF105/450	450
1	CM000941	CM000943	CF105/500	500
1	CM001031	CM001033	CF105/600	600

Loading graphs **p. 48**
Dimensions and technical information **p. 48**

NOTE : please use Cat. No. when placing your order

Pack	Cat. Nos.		CF30 – straight lengths (3 m)	
	EZ	GC	$\updownarrow 30 \text{ mm}$ $\curvearrowright 50 \text{ mm}$ $\rightarrow 600 \text{ mm}$ $\rightleftarrows 3 \text{ m}$ For length to length coupling options : • EDRN • ED275 + KITFIXTR / KITFIXVS • KITASSTR / KITASSVS see p. 20-23	
			Width (mm)	
1	CM000011	CM000013	CF30/50 ¹	50
1	CM000021	CM000023	CF30/100	100
1	CM000031	CM000033	CF30/150	150
1	CM000041	CM000043	CF30/200	200
1	CM000051	CM000053	CF30/300	300
1	CM000801	–	CF30/400	400
1	CM000831	–	CF30/450	450
1	CM000811	–	CF30/500	500
1	CM000851	–	CF30/600	600

Pack	Cat. Nos.		CF105 stainless steel – straight lengths (3 m)	
	304L	316L	$\updownarrow 105 \text{ mm}$ $\curvearrowright 100 \text{ mm}$ $\rightarrow 600 \text{ mm}$ $\rightleftarrows 3 \text{ m}$ For length to length coupling options : • AUTOCLIC • ED275 + CE25 + BTRCC 6 x 20 • KITASSTR / KITINOX see p. 20-23	
			Width (mm)	
1	CM000898	CM000894	CF105/100	100
1	CM000908	CM000904	CF105/150	150
1	CM000918	CM000914	CF105/200	200
1	CM000928	CM000924	CF105/300	300
1	CM000938	CM000934	CF105/400	400
1	CM001938	CM001934	CF105/450	450
1	CM000948	CM000944	CF105/500	500
1	CM001038	CM001034	CF105/600	600

Pack	Cat. Nos.		CF30 stainless steel – straight lengths (3 m)	
	304L	316L	$\updownarrow 30 \text{ mm}$ $\curvearrowright 50 \text{ mm}$ $\rightarrow 300 \text{ mm}$ $\rightleftarrows 3 \text{ m}$ For length to length coupling options : • ED275 + CE25 + BTRCC 6 x 20 • KITASSTR / KITINOX see p. 20-23	
			Width (mm)	
1	CM000018	CM000014	CF30/50 ¹	50
1	CM000028	CM000024	CF30/100	100
1	CM000038	CM000034	CF30/150	150
1	CM000048	CM000044	CF30/200	200
1	CM000058	CM000054	CF30/300	300

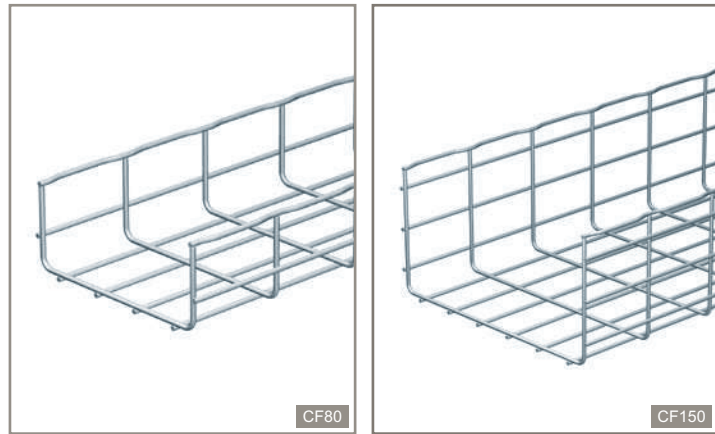
1 : = No safety edge

Key: **EZ** Electrogalvanised after manufacture **304L** Stainless steel 304 L
GC Hot dip galvanised after manufacture **316L** Stainless steel 316 L

For detailed information related to finishes, refer to **p. 132-133**

All dimensions (mm) are nominal

straight lengths – CF80 - CF150



Loading graphs **p. 49-50**
Dimensions and technical information **p. 49-50**

NOTE : please use Cat. No. when placing your order

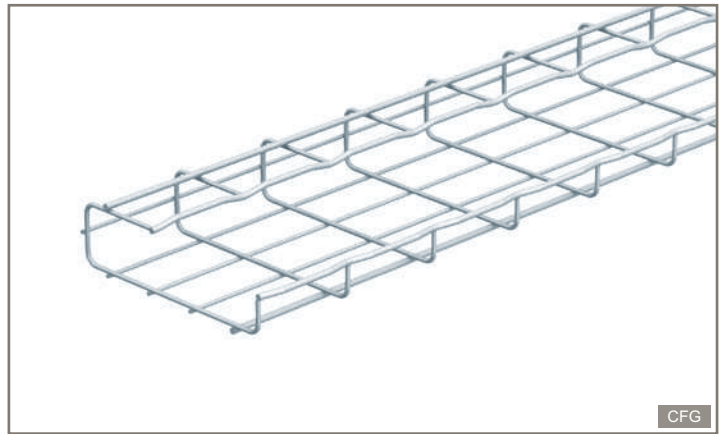
Pack	Cat. Nos.		CF80 – straight lengths (3 m)	
	EZ	GC	\updownarrow 80 mm	\curvearrowright 100 mm \rightarrow 500 mm \rightleftarrows 3 m
	For length to length coupling options :			
	• EDRN			
	• ED275 + KITFIXTR / KITFIXVS			
	• KITASSTR / KITASSVS			
	see p. 20-23			
			Width (mm)	
1	CM800101	CM800103	CF80/100	100
1	CM800201	CM800203	CF80/200	200
1	CM800301	CM800303	CF80/300	300
1	CM800401	CM800403	CF80/400	400
1	CM800501	CM800503	CF80/500	500

Pack	Cat. Nos.		CF150 – straight lengths (3 m)	
	EZ	GC	\updownarrow 150 mm	\curvearrowright 200 mm \rightarrow 500 mm \rightleftarrows 3 m
	For length to length coupling options :			
	• EDRN			
	• ED275 + KITFIXTR / KITFIXVS			
	• KITASSTR / KITASSVS			
	see p. 20-23			
			Width (mm)	
1	CM000951	CM000953	CF150/200	200
1	CM000961	CM000963	CF150/300	300
1	CM000971	CM000973	CF150/400	400
1	CM001011	CM001013	CF150/450	450
1	CM001021	CM001023	CF150/500	500

Pack	Cat. Nos.		CF150 easy access – straight lengths (3 m)	
	EZ		\updownarrow 150 mm	\curvearrowright 600 mm \rightarrow 900 mm \rightleftarrows 3 m
	For length to length coupling options :			
	• EDRN			
	• ED275 + KITFIXTR / KITFIXVS			
	• KITASSTR / KITASSVS			
	see p. 20-23			
	Note : Base wires spaced at intervals of 50 mm or 100 mm for easy access			
			Width (mm)	
1	CM100985		CF150/600 ¹	600
1	CM100983		CF150/900 ¹	900

1 : = No safety edge

straight lengths – CFG



Loading graphs **p. 51**
Dimensions and technical information **p. 51**

NOTE : please use Cat. No. when placing your order

Pack	Cat. Nos.		CFG – straight lengths (3 m)	
	EZ	GC	\updownarrow 50 mm	\curvearrowright 100 mm \rightarrow 200 mm \rightleftarrows 3 m
	For length to length coupling options :			
	• ED275 + KITFIXTR / KITFIXVS			
	• KITASSTR / KITASSVS			
	see p. 20-23			
			Width (mm)	
1	CM003221	CM003223	CFG50/100	100
1	CM003231	CM003233	CFG50/150	150
1	CM003241	CM003243	CFG50/200	200

Key: **EZ** Electrogalvanised after manufacture
GC Hot dip galvanised after manufacture

For detailed information related to finishes, refer to **p. 132-133**

All dimensions (mm) are nominal

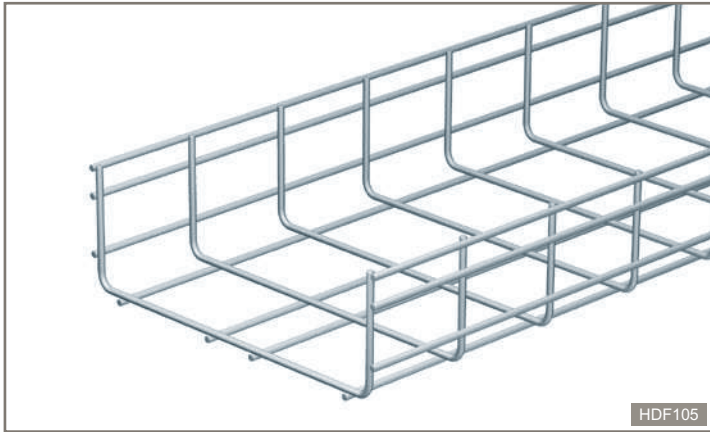
straight lengths – HDF105

for heavy duty applications

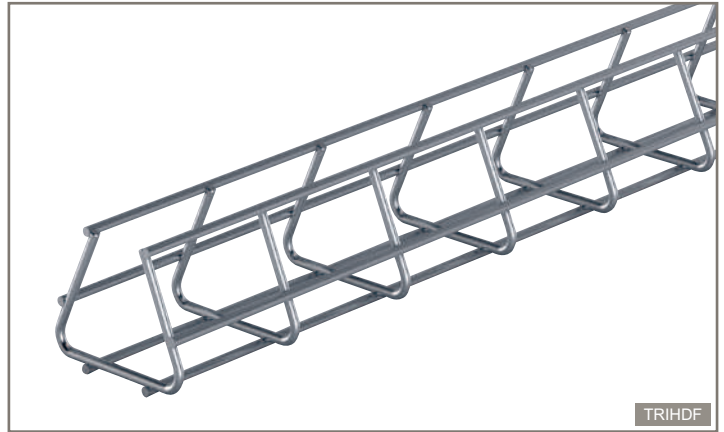
straight lengths – TRIHDF

for heavy duty or widespan applications

NEW



HDF105

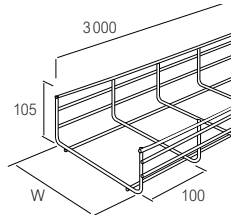


TRIHDF

Loading graphs **p. 52**
Dimensions and technical information **p. 52**

NOTE : please use Cat. No. when placing your order

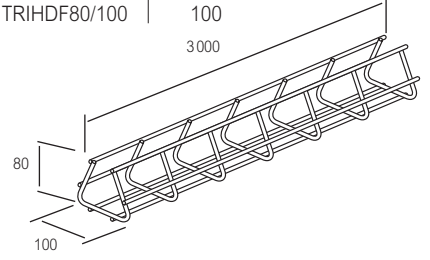
Pack	Cat. Nos.		HDF105 – straight lengths (3 m)	
			\updownarrow 105 mm	\leftarrow 100 mm \rightarrow 600 mm \rightleftarrows 3 m
			For length to length coupling options : • ED275 + KITFIXTR / KITFIXVS • KITASSTR / KITASSVS see p. 20-23	
	EZ	GC	Width (mm)	
1	CM450621	CM450623	HDF105/100	100
1	CM450631	CM450633	HDF105/150	150
1	CM450641	CM450643	HDF105/200	200
1	CM450661	CM450663	HDF105/300	300
1	CM450681	CM450683	HDF105/400	400
1	CM450701	CM450703	HDF105/500	500
1	CM450721	CM450723	HDF105/600	600



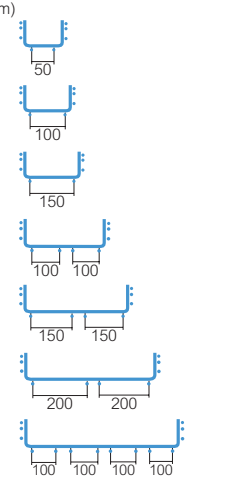
Loading graphs **p. 53**
Dimensions and technical information **p. 53**

NOTE : please use Cat. No. when placing your order

Pack	Cat. Nos.		TRIHDF – straight lengths (3 m)	
			\updownarrow 80 mm	\leftarrow 100 mm \rightarrow 600 mm \rightleftarrows 3 m
			For length to length coupling options : • Z240 + KITFIXTR • KITASSVS see p. 20-23	
		GC	Width (mm)	
1		CM001113	TRIHDF80/100	100



Pack	Cat. Nos.		HDF105 stainless steel – straight lengths (3 m)	
			\updownarrow 105 mm	\leftarrow 100 mm \rightarrow 600 mm \rightleftarrows 3 m
			For length to length coupling options : • ED275 + CE25 + BTRCC 6 x 20 • KITASSTR / KITINOX see p. 20-23	
	316L		Width (mm)	
1	CM450624		HDF105/100	100
1	CM450634		HDF105/150	150
1	CM450644		HDF105/200	200
1	CM450664		HDF105/300	300
1	CM450684		HDF105/400	400
1	CM450704		HDF105/500	500
1	CM450724		HDF105/600	600



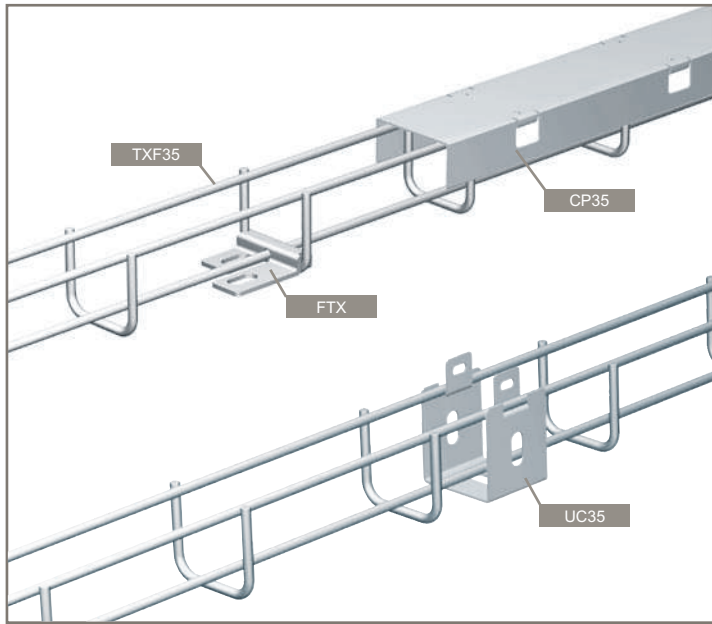
Key:	GS Pre-galvanised	316L Stainless steel 316 L
	EZ Electrogalvanised after manufacture	
	GC Hot dip galvanised after manufacture	

For detailed information related to finishes, refer to **p. 132-133**

All dimensions (mm) are nominal

mini steel wire cable tray – TXF35

flexible steel wire cable tray – G-MINI



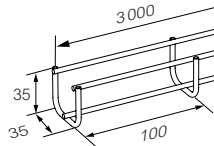
Dimensions and technical information p. 54

NOTE : please use Cat. No. when placing your order

Pack	Cat. Nos.	
1	EZ CM755001	GC CM755003
1 -	304L CM755008	316L CM755004

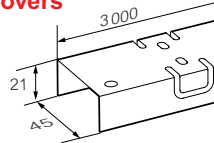
TXF35 – straight lengths (3 m)

$\updownarrow 35\text{ mm}$ $\curvearrowright 35\text{ mm}$ $\longleftrightarrow 3\text{ m}$
 Length to length coupling options for EZ and GC finishes :
 • KITASSTR / KITASSVS see p. 23
 Length to length coupling options for stainless steel finishes :
 • KITASSTR / KITINOX see p. 23



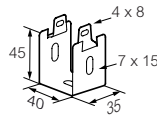
Pack	Cat. Nos.		
1	GS CM755100	GC CM755103	316L CM755104

CP35 – covers



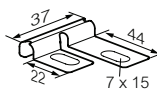
Pack	Cat. Nos.		
1	GS CM586160	GC CM586163	316L CM586164

UC35 – base fixing plates



Pack	Cat. Nos.		
1	GS CM586180	DC CM586183	316L CM586184

FTX – base fixing plates

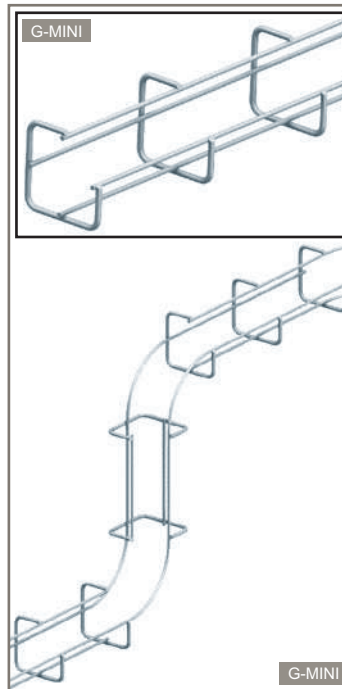


Key:

GS Pre-galvanised	304L Stainless steel 304 L
EZ Electrogalvanised after manufacture	316L Stainless steel 316 L
GC Hot dip galvanised after manufacture	
DC Zinc rich coating	

For detailed information related to finishes, refer to p. 132-133

All dimensions (mm) are nominal



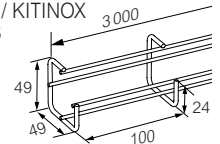
Dimensions and technical information p. 55

NOTE : please use Cat. No. when placing your order

Pack	Cat. Nos.		
1	EZ CM430111	GC -	316L CM430114

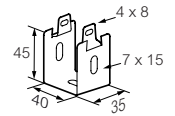
G-MINI – straight lengths (3 m)

$\updownarrow 50\text{ mm}$ $\curvearrowright 50\text{ mm}$ $\longleftrightarrow 3\text{ m}$
 Length to length coupling options for EZ finish :
 • ED275 + KITFIXTR / KITFIXVS
 • KITASSTR / KITASSVS see p. 20-23
 Length to length coupling options for stainless steel finish :
 • ED275 + CE25 + BTRCC 6 x 20
 • KITASSTR / KITINOX see p. 20-23



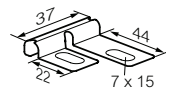
Pack	Cat. Nos.		
1	GS CM586160	GC CM586163	316L CM586164

UC35 – base fixing plates



Pack	Cat. Nos.		
1	GS CM586180	DC CM586183	316L CM586184

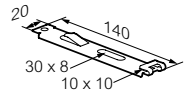
FTX – base fixing plates



Pack	Cat. Nos.		
1	EZ CM586031	DC CM586037	316L -

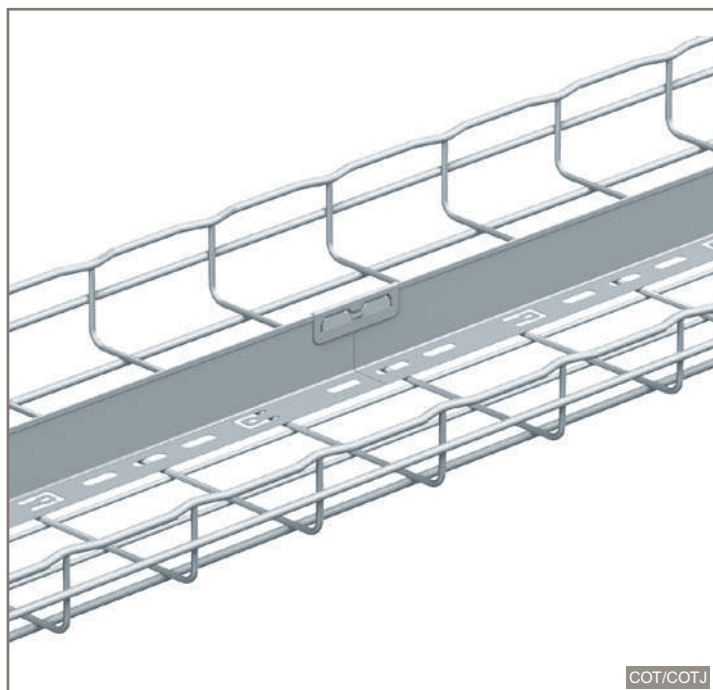
SAS – suspension hangers

\perp
daN
60



straight length dividers – COT - COT J

bend dividers – COTFIL - COTFILU



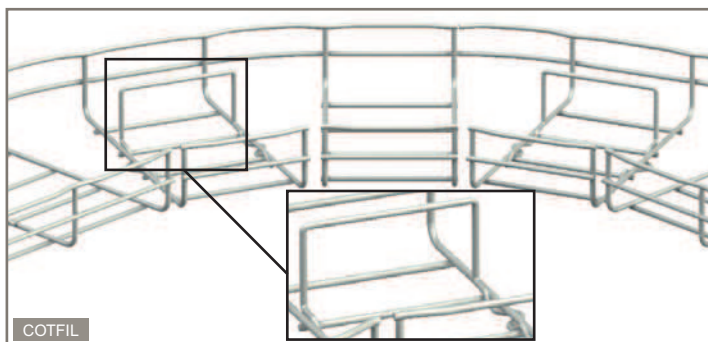
COT/COTJ

Dimensions and technical information p. 56

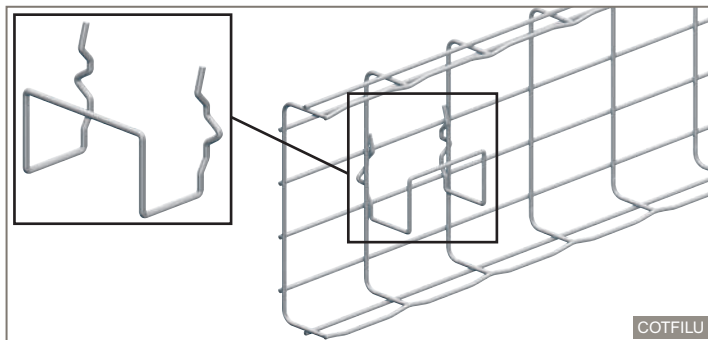
NOTE : please use Cat. No. when placing your order

Pack	Cat. Nos.			COT – dividers (3 m)	
				$\downarrow \uparrow 30 \rightarrow 105 \text{ mm}$ $\leftarrow \rightarrow 100 \rightarrow 600 \text{ mm}$	
	GS	GC	316L		H mm
1	CM923010	CM923013	CM923014	For tray depth 30 mm (CF30)	24
1	CM923020	CM923023	CM923024	For tray depth 54 mm (CF54)	48
1	CM923030	CM923033	-	For tray depth 80 mm (CF80)	72
1	CM923040	CM923043	CM923044	For tray depth 105 mm (CF105)	96
				COT30	
				COT50	
				COT75	
				COT100	

Pack	Cat. Nos.			COT J – divider connectors	
				$\downarrow \uparrow 30 \rightarrow 105 \text{ mm}$ $\leftarrow \rightarrow 100 \rightarrow 600 \text{ mm}$	
	GS	GC	316L		H mm
1	CM923050	-	CM923054		



COTFIL



COTFILU

Dimensions and technical information p. 57

NOTE : please use Cat. No. when placing your order

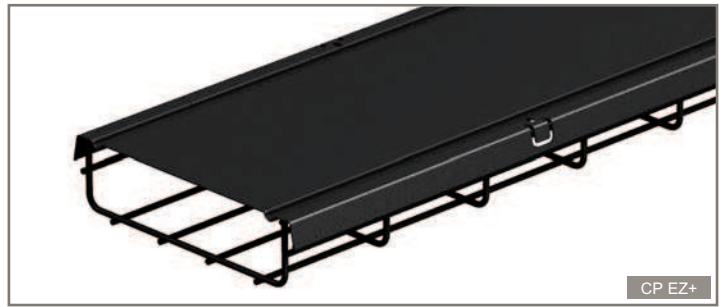
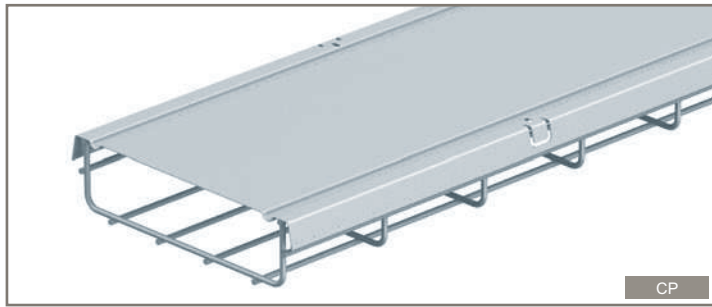
Pack	Cat. Nos.		COTFIL – bend dividers	
			$\downarrow \uparrow 30 \rightarrow 105 \text{ mm}$ $\leftarrow \rightarrow 100 \rightarrow 600 \text{ mm}$	
	GS	304L		H mm
1	CM586711	CM586718	For tray depth 30 mm (CF30)	24
1	CM586721	CM586728	For tray depth 54 mm (CF54)	44
1	CM586731	CM586738	For tray depth 80 mm (CF80)	71
1	CM586741	CM586748	For tray depth 105 mm (CF105)	94
			COTFIL30	
			COTFIL50	
			COTFIL75	
			COTFIL100	

Pack	Cat. Nos.		COTFILU – cable guide	
			$\downarrow \uparrow 54 \text{ mm}$ $\leftarrow \rightarrow 150 \rightarrow 600 \text{ mm}$	
	GS	304L		H mm
12	CM350524	CM350531	For tray depth 54 mm (CF54 see p. 11)	47

Key: **GS** Pre-galvanised **304L** Stainless steel 304 L
GC Hot dip galvanised after manufacture **316L** Stainless steel 316 L

For detailed information related to finishes, refer to p. 132-133

All dimensions (mm) are nominal



Dimensions and technical information **p. 58**

NOTE : please use Cat. No. when placing your order

Pack	Cat. Nos.		CP – covers		Width (mm)	
	GS	GC				
			$\downarrow \uparrow 30 \rightarrow 150 \text{ mm}$ $\leftarrow \rightarrow 50 \rightarrow 600 \text{ mm}$ $\rightleftarrows 2 \text{ m}$ Supplied singly in a 2 m length			
1	CM646010	CM646013	CP50		50	
1	CM646020	CM646023	CP100		100	
1	CM646030	CM646033	CP150		150	
1	CM646040	CM646043	CP200		200	
1	CM646050	CM646053	CP300		300	
1	CM646060	CM646063	CP400		400	
1	CM646090	CM646093	CP450		450	
1	CM646070	CM646073	CP500		500	
1	CM646080	CM646083	CP600		600	

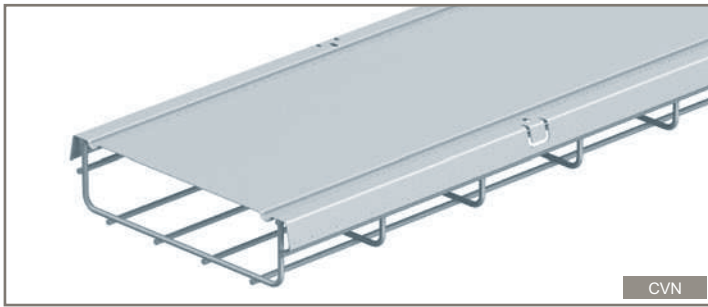
Pack	Cat. Nos.		CP EZ+ – covers		Width (mm)	
	EZ+					
			$\downarrow \uparrow 30 \rightarrow 150 \text{ mm}$ $\leftarrow \rightarrow 50 \rightarrow 600 \text{ mm}$ $\rightleftarrows 2 \text{ m}$ Supplied singly in a 2 m length Colour : black			
1	CM350881		CP50		50	
1	CM350882		CP100		100	
1	CM350883		CP150		150	
1	CM350884		CP200		200	
1	CM350885		CP300		300	
1	CM350886		CP400		400	
1	CM350887		CP500		500	
1	CM350888		CP600		600	

Pack	Cat. Nos.		CP stainless steel – covers		Width (mm)	
	316L					
			$\downarrow \uparrow 30 \rightarrow 150 \text{ mm}$ $\leftarrow \rightarrow 50 \rightarrow 600 \text{ mm}$ $\rightleftarrows 2 \text{ m}$ Supplied singly in a 2 m length			
1	CM646014		CP50		50	
1	CM646024		CP100		100	
1	CM646034		CP150		150	
1	CM646044		CP200		200	
1	CM646054		CP300		300	
1	CM646064		CP400		400	
1	CM646094		CP450		450	
1	CM646074		CP500		500	
1	CM646084		CP600		600	

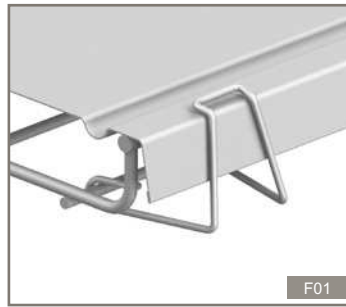
Key:	GS Pre-galvanised	316L Stainless steel 316 L
	EZ+ Additional coating after electrogalvanisation (black)	
	GC Hot dip galvanised after manufacture	For detailed information related to finishes, refer to p. 132-133

All dimensions (mm) are nominal

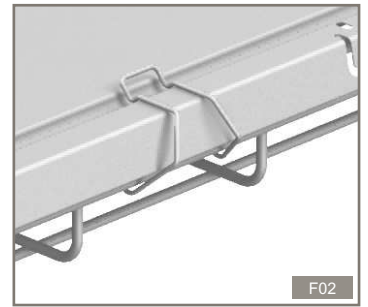
covers and clips – CVN - F01 - F02 - F03



CVN



F01

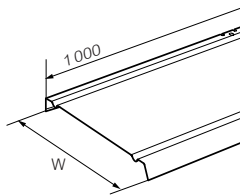


F02

Dimensions and technical information p. 58

NOTE : please use Cat. No. when placing your order

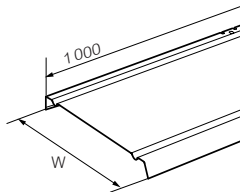
Pack	Cat. Nos.		CVN – covers	
	GS	GC	$\downarrow \uparrow 30 \rightarrow 150 \text{ mm}$ $\downarrow \uparrow 50 \rightarrow 600 \text{ mm}$ $\rightleftarrows 1 \text{ m}$ Supplied in packs of 3 x 1 m lengths	
				Width (mm)
1	CM629050	CM629053	CVN50	50
1	CM629100	CM629103	CVN100	100
1	CM629150	CM629153	CVN150	150
1	CM629200	CM629203	CVN200	200
1	CM629300	CM629303	CVN300	300
1	CM629400	CM629403	CVN400	400
1	CM629450	CM629453	CVN450	450
1	CM629500	CM629503	CVN500	500
1	CM629600	CM629603	CVN600	600



Pack	Cat. Nos.	F01 / F02 / F03 – cover clips
25	GS CM646220	F01 – cover clip For 30 mm tray (CF30)
25	GS CM646200	F02 – cover clip For 54 mm tray (CF54), 105 mm tray (CF105) and 150 mm tray (CF150)
25	GS CM646210	F03 – cover clip For 80 mm tray (CF80)

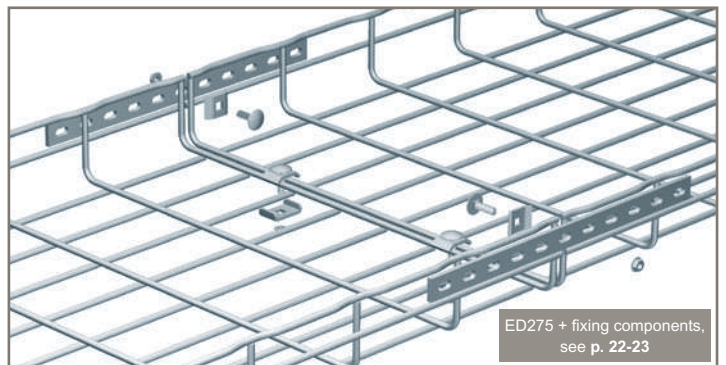
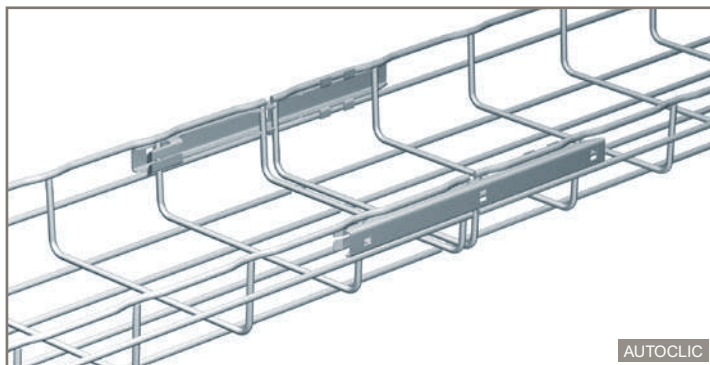
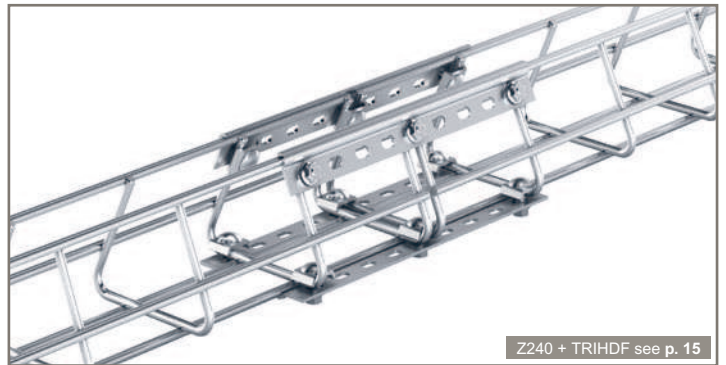
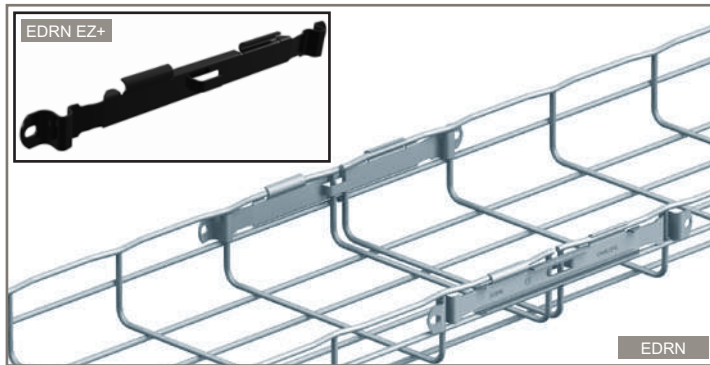


Pack	Cat. Nos.	CVN stainless steel – covers	
	316L	$\downarrow \uparrow 30 \rightarrow 150 \text{ mm}$ $\downarrow \uparrow 50 \rightarrow 200 \text{ mm}$ $\rightleftarrows 1 \text{ m}$ Supplied in packs of 3 x 1 m lengths	
			Width (mm)
1	CM629054	CVN50	50
1	CM629104	CVN100	100
1	CM629154	CVN150	150
1	CM629204	CVN200	200



Key:	GS Pre-galvanised	316L Stainless steel 316 L
	GC Hot dip galvanised after manufacture	
		For detailed information related to finishes, refer to p. 132-133

All dimensions (mm) are nominal



Dimensions and technical information p. 59-65

NOTE : please use Cat. No. when placing your order

Pack	Cat. Nos.	EDRN – couplers
50	EZ CM558241 DC CM558247	<p>↕ 30 → 150 mm ↔ 50 → 600 mm Supplied with one fixing tool in each pack of 50 couplers For technical information, see p. 59</p>
50	EZ+ CM558242	

EZ+ colour : black

Pack	Cat. Nos.	CLEEDR – fixing tool
5	EZ CM558260	<p>For EDRN couplers</p>

Pack	Cat. Nos.	AUTOCLIC – couplers
50	GS CM558280 GC CM558283	<p>↕ 54 / 105 mm ↔ 50 → 600 mm Rapid fit with screwdriver (not included) For technical information, see p. 60</p>
50	304L CM558288 316L CM558284	

Pack	Cat. Nos.	Z240 – joint strips
50	GS - GC CM558293	<p>↕ 80 mm ↔ 100 mm For TRIHDF, see p. 15 For technical information, see p. 61</p>

Pack	Cat. Nos.	ED275 – joint strips
50	EZ CM558221 GC CM558223	<p>↕ 30 → 150 mm ↔ 50 → 600 mm For technical information, see p. 62</p>
1	304L CM558228 316L CM558224	

ED275 L (mm) 275

Pack	Cat. Nos.	ED1100 – joint strips
1	EZ CM558201 GC CM558203	<p>↕ 30 → 150 mm ↔ 50 → 600 mm For technical information, see p. 62</p>
1	- 316L CM558204	

ED1100 L (mm) 1100

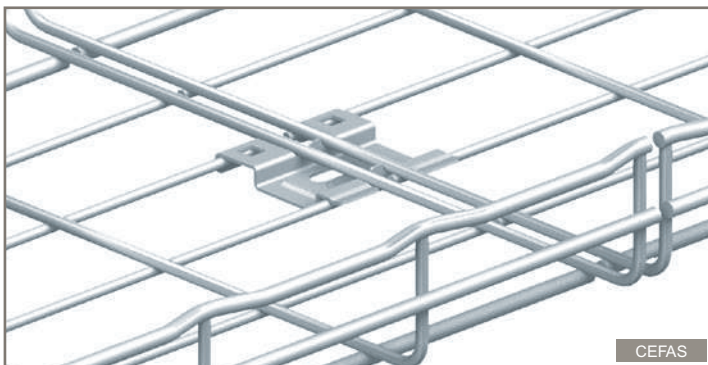
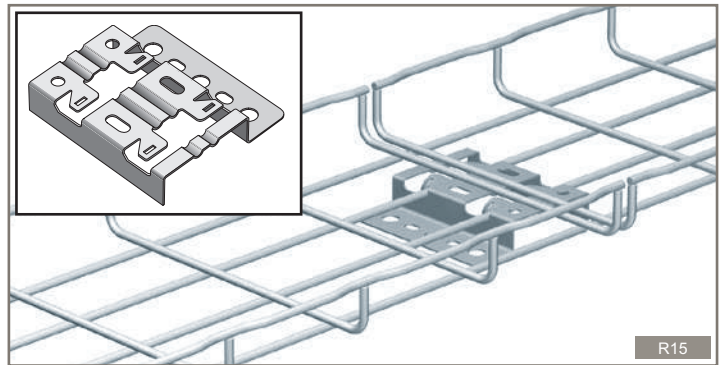
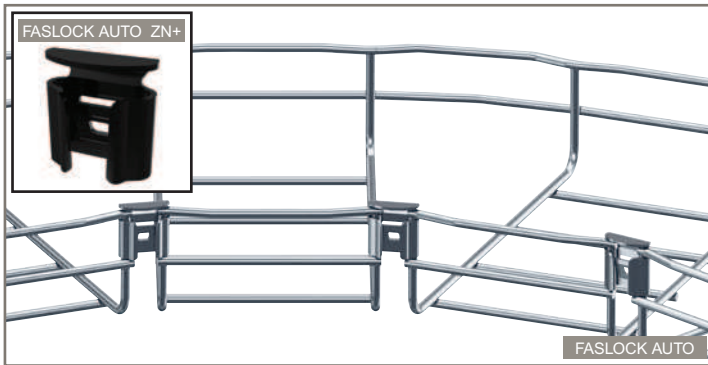
Pack	Cat. Nos.	ED250/90 – angle joint strips
50	EZ CM558211 GC CM558213	<p>↕ 30 → 150 mm ↔ 50 → 600 mm For technical information, see p. 61</p>
1	- 316L CM558214	

ED250/90 L (mm) 250

Key:	GS	Pre-galvanised	DC	Zinc rich coating
	EZ	Electrogalvanised after manufacture	304L	Stainless steel 304 L
	EZ+	Additional coating after electrogalvanisation (black)	316L	Stainless steel 316 L
	GC	Hot dip galvanised after manufacture	For detailed information related to finishes, refer to p. 132-133	

All dimensions (mm) are nominal

couplers and connectors – FASLOCK AUTO - CEFAS - R15/25/35



Dimensions and technical information p. 59-65

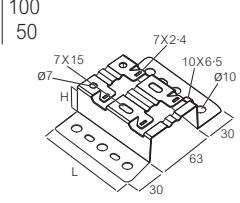
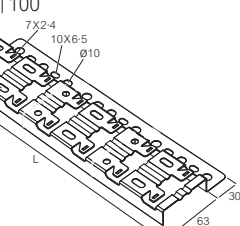
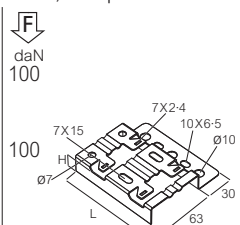
NOTE : please use Cat. No. when placing your order

Pack	Cat. Nos.	FASLOCK AUTO – connectors
		\updownarrow 30 / 54 / 105 mm \curvearrowright 100 → 600 mm For technical information, see p. 63
25	EZ DC CM558340 CM558347	FASLOCK S \curvearrowright 100 → 200 mm
25	CM558320 CM558327	FASLOCK XL \curvearrowright 300 → 600 mm
25	316L CM558344	FASLOCK S \curvearrowright 100 → 200 mm
25	CM558324	FASLOCK XL \curvearrowright 300 → 600 mm
25	ZN+ CM350835	ZN+ colour : black FASLOCK S \curvearrowright 100 → 200 mm
25	CM350836	FASLOCK XL \curvearrowright 300 → 600 mm



Pack	Cat. Nos.	CEFAS – base couplers
		\updownarrow 30 → 150 mm \curvearrowright 100 → 600 mm For technical information, see p. 64
50	GS DC CM558410 CM558417	
50	316L CM558414	

Pack	Cat. Nos.	R15 / R25 / R35 – stand-off brackets
		\updownarrow 30 → 150 mm \curvearrowright 100 → 600 mm For technical information, see p. 65
1	GS ZM CM586170 CM586173	R15/100 H 15 mm L 98 mm daN 100
1	316L CM586174	15 mm L 98 mm daN 100
1	GS ZM CM586610 CM586617	R15/300 H 15 mm L 300 mm daN 100
1	GS ZM CM586640 CM586647	R25 H 25 mm L 98 mm daN 100
1	CM586650 CM586657	R35 H 35 mm L 98 mm daN 50

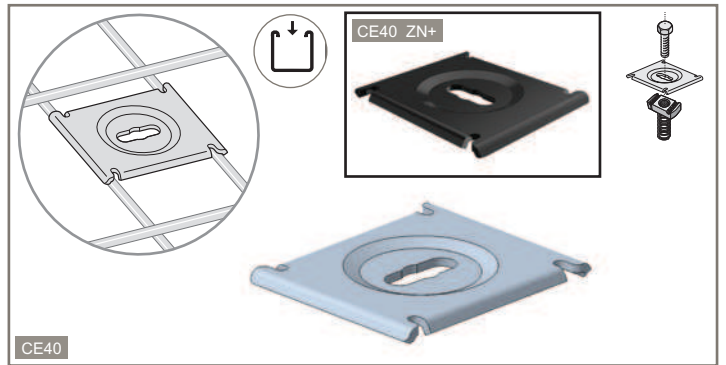
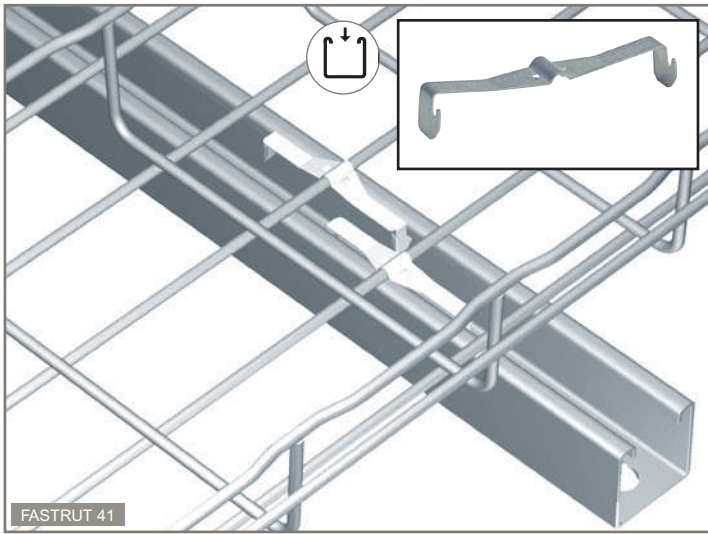


Key: GS Pre-galvanised	DC Zinc rich coating
EZ Electrogalvanised after manufacture	ZM Zinc magnesium
ZN+ Zinc nickel plus additional coating (black)	316L Stainless steel 316 L

For detailed information related to finishes, refer to p. 132-133

All dimensions (mm) are nominal

channel fixings – FASTRUT 41 / CE40 fixing components – CE25/CE30



Dimensions and technical information p. 66, 83

NOTE : please use Cat. No. when placing your order

Pack	Cat. Nos.	FASTRUT 41 – channel fixing clip
50	DC CM599007	$\downarrow \uparrow$ 30 → 150mm \curvearrowright 100 → 600 mm Use to secure steel wire cable tray to channel section or channel type cantilever arms For technical information, see p. 66

Pack	Cat. Nos.	CE25 / CE30 – fixing components
100	EZ DC CM801011 CM801017	BTRCC 6 x 20
50	CM558011 CM558013	CE25
50	CM558041 CM558043	CE30

$\downarrow \uparrow$ 30 → 150 mm \curvearrowright 50 → 600 mm

Pack	Cat. Nos.	CE40 – hold down clamps
25	EZ DC CM558051 CM558053	$\downarrow \uparrow$ 30 → 150mm \curvearrowright 100 → 600 mm For technical information, see p. 83 \downarrow daN 100
25	304L 316L CM558058 CM558054	
25	ZN+ CM350839	

ZN+ colour : black

Pack	Cat. Nos.	CE25 / CE30 stainless steel – fixing components
100	304L 316L CM801018 CM801014	BTRCC 6 x 20
50	CM558018 CM558014	CE25
50	CM558048 CM558044	CE30

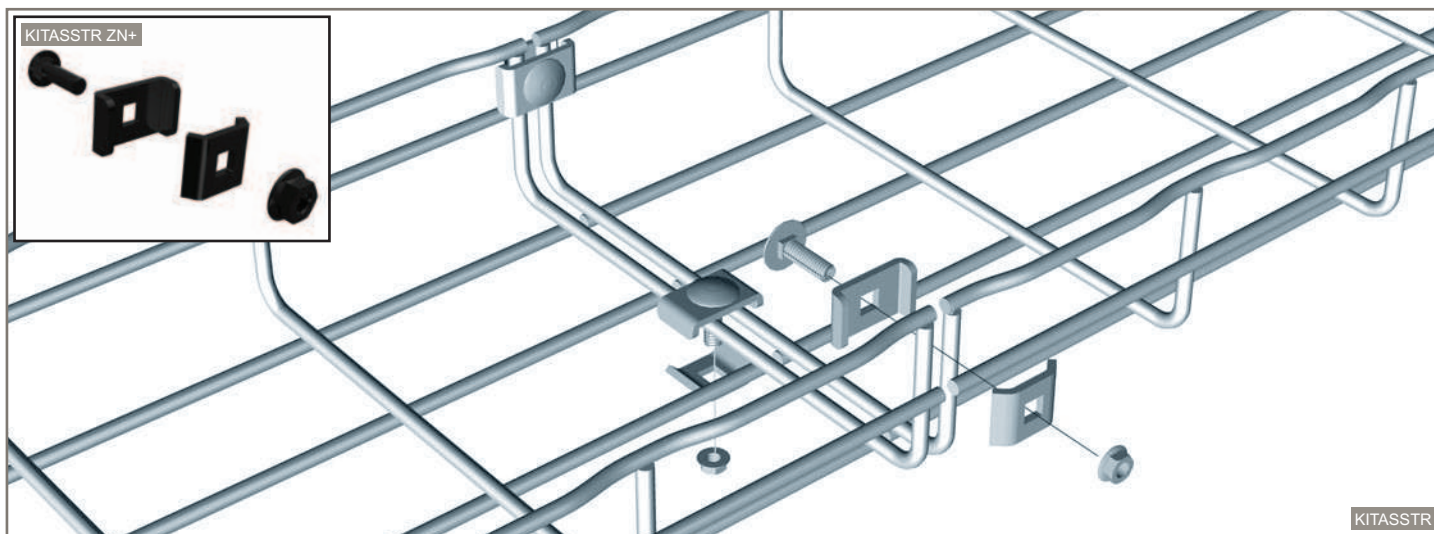
$\downarrow \uparrow$ 30 → 150 mm \curvearrowright 50 → 600 mm

Key: EZ	Electrogalvanised after manufacture	DC	Zinc rich coating
ZN+	Zinc nickel plus additional coating (black)	304L	Stainless steel 304 L
		316L	Stainless steel 316 L

For detailed information related to finishes, refer to p. 132-133

All dimensions (mm) are nominal

fixing kits – KITS



Dimensions and technical information p. 67

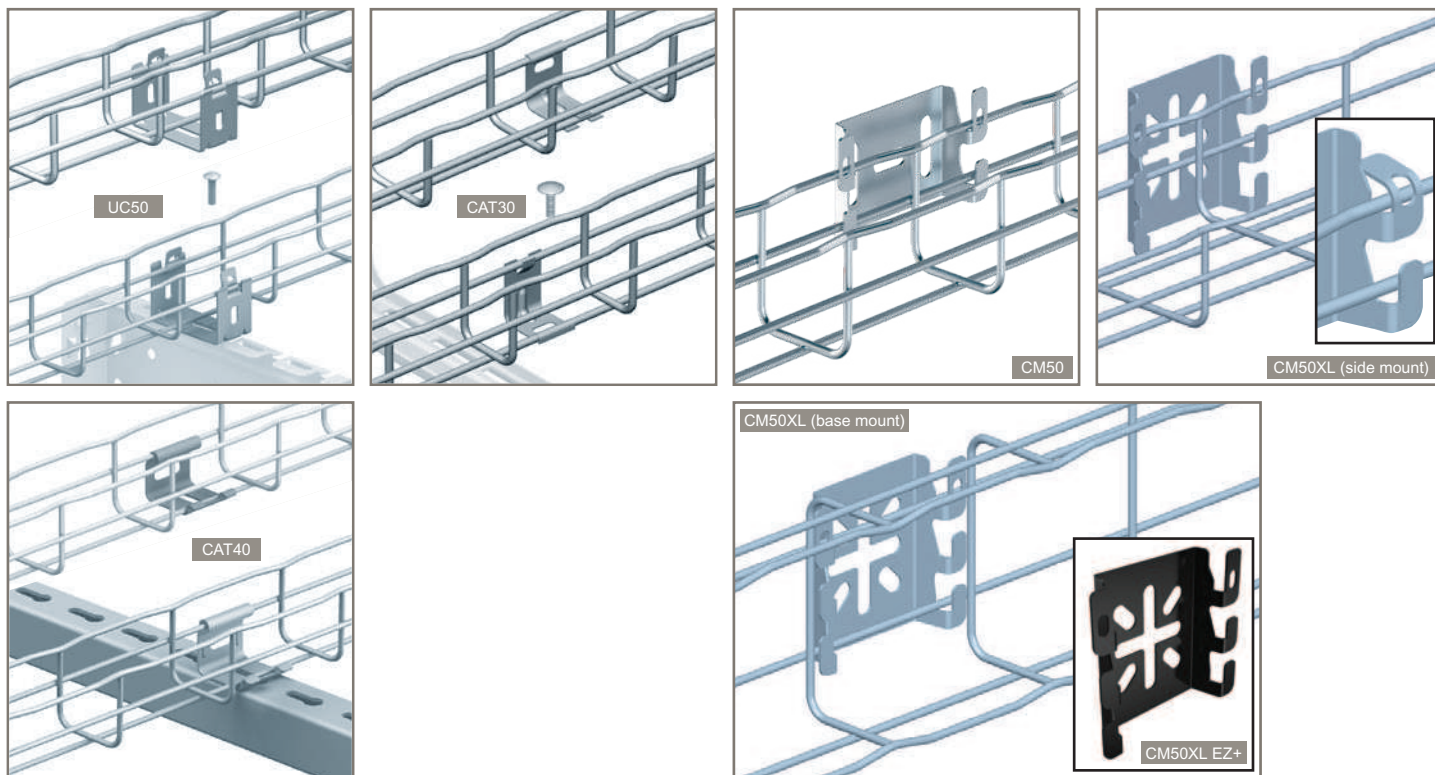
NOTE : please use Cat. No. when placing your order

Pack	Cat. Nos.	KITS – fixing kits	Pack	Cat. Nos.	KITS – stainless steel fixing kits
50	<div style="display: flex; justify-content: space-around;"> EZ DC </div> CM558081 CM558087	$\downarrow \uparrow$ 30 → 150 mm $\leftarrow \rightarrow$ 50 → 600 mm KITASSTR CE25+CE30+BTRCC 6 x 20 Kits comprise large clamp plate, small clamp plate, M6 nut and M6 x 20 coach bolt	50	<div style="display: flex; justify-content: center; align-items: center;"> 316L CM558954 </div>	$\downarrow \uparrow$ 30 → 150 mm $\leftarrow \rightarrow$ 50 → 600 mm KITINOX stainless steel CE25VS+CE30+EEC6 Kits comprise large clamp plate, small clamp plate with integrated bolt and M6 nut
50	<div style="display: flex; justify-content: center; align-items: center;"> ZN+ CM350837 </div>	ZN+ colour : black	100	<div style="display: flex; justify-content: center; align-items: center;"> 316L CM558084 </div>	KITASSTR stainless steel CE25+CE30+BTRCC 6 x 20 Kits comprise large clamp plate, small clamp plate, M6 nut and M6 x 20 coach bolt
50	<div style="display: flex; justify-content: space-around;"> EZ DC </div> CM558071 CM558077	KITASSVS CE25ES+CE30VS Kits comprise large clamp plate with integrated bolt and small clamp plate with integrated nut			
50	<div style="display: flex; justify-content: space-around;"> EZ DC </div> CM558091 CM558097	KITFIXTR CE25+BTRCC 6 X 20 Kits comprise small clamp plate, M6 nut and M6 x 20 coach bolt			
50	<div style="display: flex; justify-content: space-around;"> EZ DC </div> CM558061 CM558067	KITFIXVS CE25VS+EEC6 Kits comprise small clamp plate with M6 nut and integrated bolt			

Key: EZ Electrogalvanised after manufacture	DC Zinc rich coating
ZN+ Zinc nickel plus additional coating (black)	316L Stainless steel 316 L

For detailed information related to finishes, refer to **p. 132-133**

All dimensions (mm) are nominal



Dimensions and technical information p. 68-71

NOTE : please use Cat. No. when placing your order

Pack	Cat. Nos.	UC50 – support cradles								
1	<table border="0"> <tr> <td></td> <td>CM586040</td> <td></td> <td>CM586043</td> </tr> <tr> <td></td> <td>CM586048</td> <td></td> <td>CM586044</td> </tr> </table>		CM586040		CM586043		CM586048		CM586044	<p>↕ 30 → 54 mm ↔ 50 mm</p> <p>For technical information, see p. 68</p> <p> daN 12</p>
	CM586040		CM586043							
	CM586048		CM586044							
1	CM586048 CM586044	12								

Pack	Cat. Nos.	CAT30 – cantilever arm fixing plates								
1	<table border="0"> <tr> <td></td> <td>CM586050</td> <td></td> <td>CM586057</td> </tr> <tr> <td></td> <td>CM586058</td> <td></td> <td>CM586054</td> </tr> </table>		CM586050		CM586057		CM586058		CM586054	<p>↕ 30 → 54 mm ↔ 50 mm</p> <p>For technical information, see p. 69</p> <p> daN 20</p>
	CM586050		CM586057							
	CM586058		CM586054							
1	CM586058 CM586054	20								

Pack	Cat. Nos.	CAT40 – channel fixing plates								
1	<table border="0"> <tr> <td></td> <td>CM586190</td> <td></td> <td>CM586197</td> </tr> <tr> <td></td> <td>CM586191</td> <td></td> <td>CM586194</td> </tr> </table>		CM586190		CM586197		CM586191		CM586194	<p>↕ 30 → 54 mm ↔ 50 mm</p> <p>For technical information, see p. 70</p> <p> daN 20</p>
	CM586190		CM586197							
	CM586191		CM586194							
1	CM586191 CM586194	20								

Pack	Cat. Nos.	CM50 – universal mounting plates (small)								
1	<table border="0"> <tr> <td></td> <td>CM586060</td> <td></td> <td>CM586063</td> </tr> <tr> <td></td> <td>CM586068</td> <td></td> <td>CM586064</td> </tr> </table>		CM586060		CM586063		CM586068		CM586064	<p>↕ 54 mm ↔ 50 mm</p> <p>For technical information, see p. 71</p>
	CM586060		CM586063							
	CM586068		CM586064							
1	CM586068 CM586064									

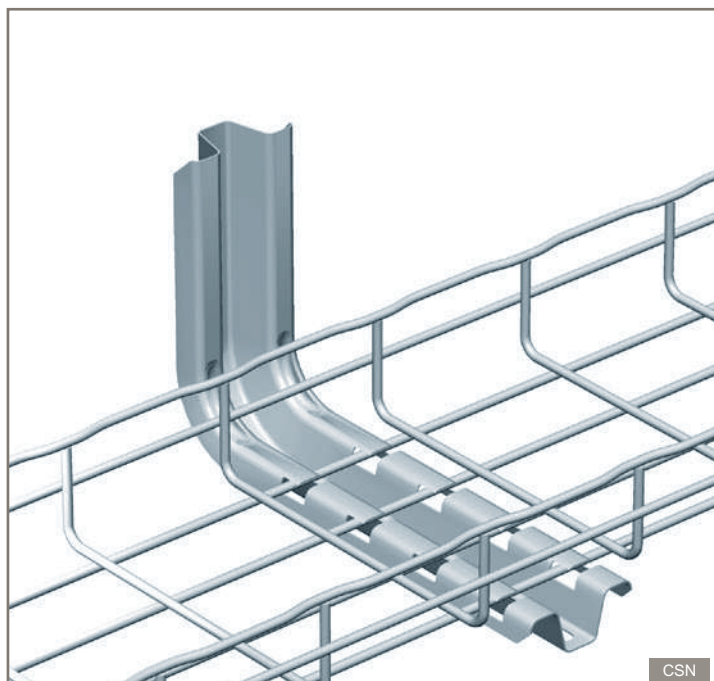
Pack	Cat. Nos.	CM50XL – universal mounting plates (large)												
1	<table border="0"> <tr> <td></td> <td>CM586130</td> <td></td> <td>CM586133</td> </tr> <tr> <td></td> <td>CM586138</td> <td></td> <td>CM586134</td> </tr> <tr> <td></td> <td>CM350880</td> <td></td> <td></td> </tr> </table>		CM586130		CM586133		CM586138		CM586134		CM350880			<p>↕ 54 ↔ 50 → 100 mm (side wire mounting)</p> <p>↕ 30 → 105 mm ↔ 100 → 600 mm (base wire mounting)</p> <p>For technical information, see p. 71</p> <p>EZ+ colour : black</p>
	CM586130		CM586133											
	CM586138		CM586134											
	CM350880													
1	CM586138 CM586134													
1	CM350880													

Key:	GS	Pre-galvanised	DC	Zinc rich coating
		Additional coating after electrogalvanisation (black)		Stainless steel 304 L
		Hot dip galvanised after manufacture		Stainless steel 316 L

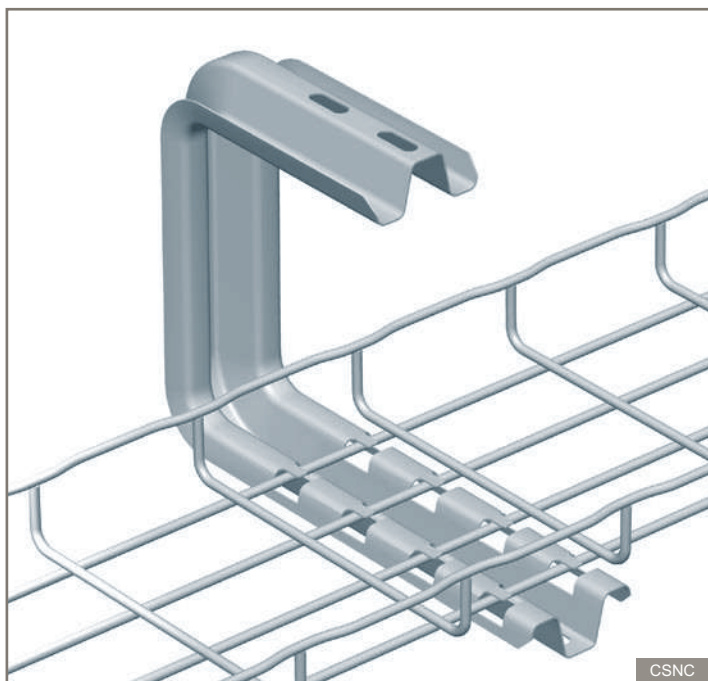
For detailed information related to finishes, refer to p. 132-133

All dimensions (mm) are nominal

wall mounting – CSN - CSNC



CSN

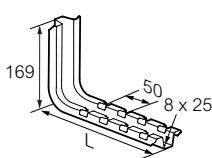


CSNC

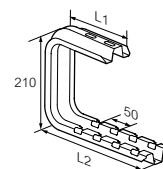
Dimensions and technical information p. 72-73

NOTE : please use Cat. No. when placing your order

Pack	Cat. Nos.		CSN – profile cantilever arms		
			\downarrow 30 → 54 mm	\curvearrowright 100 → 450 mm	
			For technical information, see p. 72		
	GS	GC	L	\downarrow F	
			mm	daN	
1	CM556100	CM556103	CSN100	178	130
1	CM556110	CM556113	CSN150	228	110
1	CM556120	CM556123	CSN200	278	85
1	CM556130	CM556133	CSN300	378	73
1	CM556140	CM556143	CSN400	478	56
1	CM556150	CM556153	CSN450	528	50
	304L	316L			
1	CM556108	CM556104	CSN100	178	130
1	CM556118	CM556114	CSN150	228	110
1	CM556128	CM556124	CSN200	278	85
1	CM556138	CM556134	CSN300	378	73



Pack	Cat. Nos.		CSNC – profile roof cantilever arms			
			\downarrow 30 → 54 mm	\curvearrowright 100 → 450 mm		
			For technical information, see p. 73			
	GS	GC	L1	L2	\downarrow F	
			mm	mm	daN	
1	CM556300	CM556303	CSNC100	170	178	120
1	CM556310	CM556313	CSNC150	170	228	100
1	CM556320	CM556323	CSNC200	170	278	80
1	CM556330	CM556333	CSNC300	288	378	70
1	CM556340	CM556343	CSNC400	288	478	48
1	CM556350	CM556353	CSNC450	288	528	44
	304L	316L				
1	-	CM556304	CSNC100	170	178	120
1	-	CM556314	CSNC150	170	228	100
1	-	CM556324	CSNC200	170	278	80



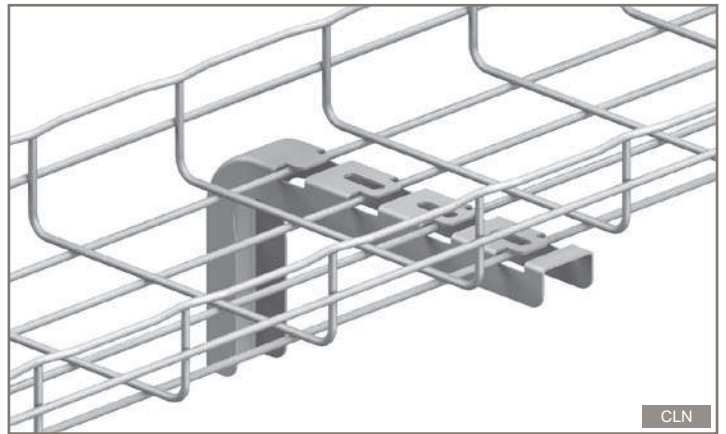
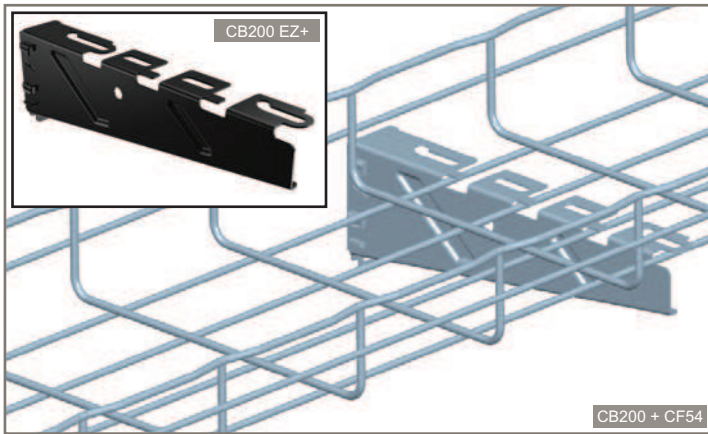
Pack	PVC	EPVCSN – end caps	
1	CM559605	For use with CSN and CSNC cantilever arms	

Key: GS Pre-galvanised	304L Stainless steel 304 L
GC Hot dip galvanised after manufacture	316L Stainless steel 316 L

For detailed information related to finishes, refer to p. 132-133

All dimensions (mm) are nominal

wall mounting – CB - CLN



Dimensions and technical information p. 74-76

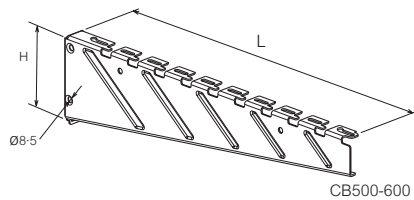
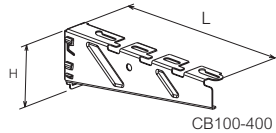
NOTE : please use Cat. No. when placing your order

CB – compact cantilever arms for universal mounting

↕ 30 → 150 mm ↔ 100 → 600 mm

For technical information, including safe working load, see p. 74-75

Pack	Cat. Nos.		For tray widths mm			
	GS	GC	L mm	H mm		
1	CM350810	CM350813	CB100	131	71	100
1	CM350820	CM350823	CB150	181	75	150
1	CM350830	CM350833	CB200	231	75	200
1	CM350840	CM350843	CB300	335	88	300
1	CM350850	CM350853	CB400	435	102	400
EZ+ colour : black						
1	CM350814	CM350812	CB100	131	71	100
1	CM350824	CM350822	CB150	181	75	150
1	CM350834	CM350832	CB200	231	75	200
1	CM350844	CM350842	CB300	335	88	300
1	CM350854	CM350852	CB400	435	102	400
GS GC						
1	CM350860	CM350863	CB500	535	137	500
1	CM350870	CM350873	CB600	638	137	600
316L EZ+						
1	CM350864	CM350862	CB500	535	137	500
1	CM350874	CM350872	CB600	638	137	600

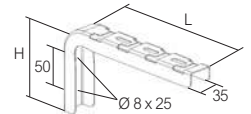


CLN – cantilever arms

↕ 30 → 54 mm ↔ 100 → 300 mm

For technical information, see p. 76

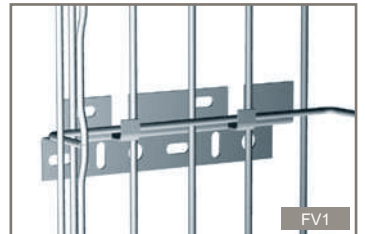
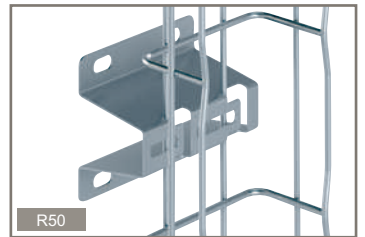
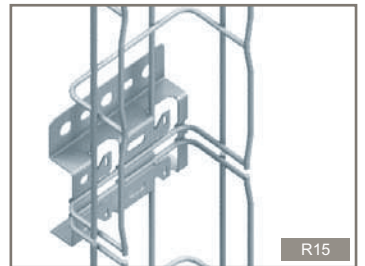
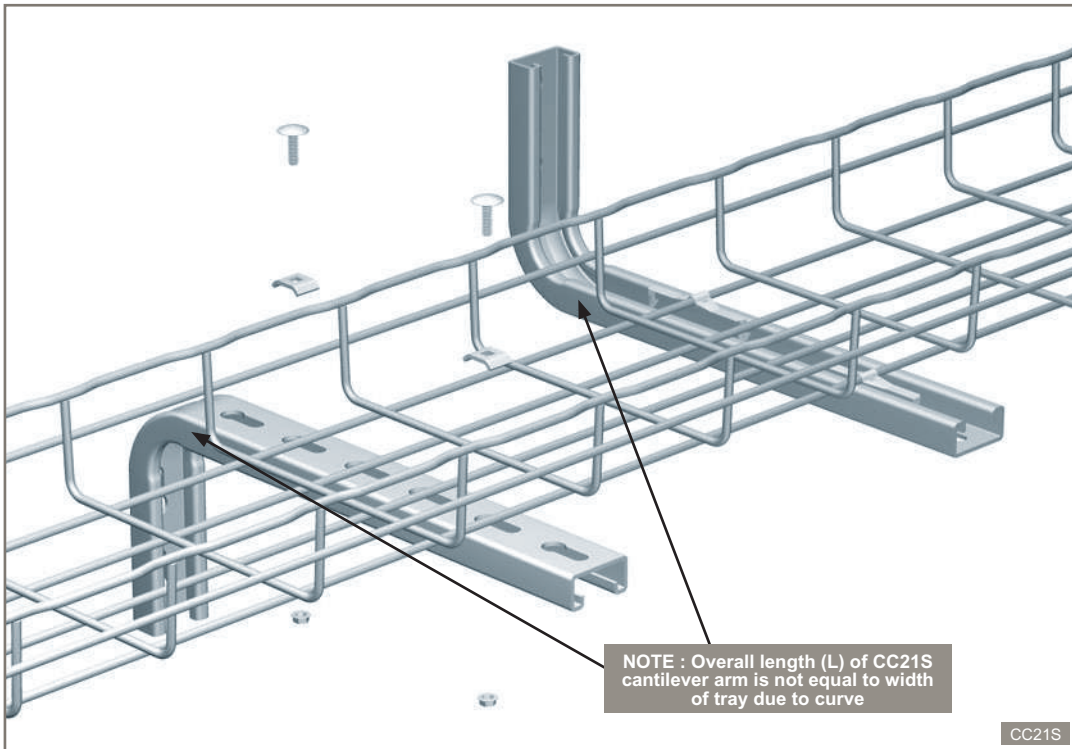
Pack	Cat. Nos.		For technical information, see p. 76			
	GS	GC	L mm	H mm	FL daN	
1	CM556200	CM556203	CLN100	100	125	95
1	CM556210	CM556213	CLN150	150	125	70
1	CM556220	CM556223	CLN200	200	125	40
1	CM556230	CM556233	CLN300	300	125	25



Key: **GS** Pre-galvanised **316L** Stainless steel 316 L
EZ+ Additional coating after electrogalvanisation (black)
GC Hot dip galvanised after manufacture For detailed information related to finishes, refer to p. 132-133

All dimensions (mm) are nominal

wall mounting – CC21S - FV1 - R15/25/35 - R50



Dimensions and technical information p. 76-78

NOTE : please use Cat. No. when placing your order

Pack	Cat. Nos.		CC21S – cantilever arms		
			↕ 30 → 105 mm	↔ 100 → 300 mm	
			NOTE : Overall length (L) of CC21S cantilever arm is not equal to width of tray due to curve, see above and illustration below		
			For technical information, see p. 76		
	GS	316L	L	daN	
1	CM557860	CM557864	CC21S 150	150	135
1	CM557870	CM557874	CC21S 200	200	108
1	CM557880	CM557884	CC21S 300	300	80
1	CM557890	CM557894	CC21S 400	400	92

Pack	Cat. Nos.		FV1 – mounting brackets		
			↕ 30 → 105 mm	↔ 100 → 600 mm	
			For technical information, see p. 78		
	GS	DC	daN		
1	CM586070	CM586073	100		
1	316L		100		

Pack	Cat. Nos.		R15 / R25 / R35 – stand-off brackets		
			↕ 30 → 105 mm	↔ 100 → 600 mm	
			For technical information, see p. 77		
	GS	ZM	H	L	daN
1	CM586170	CM586173	R15/100	15	98
1	316L			15	98
1	CM586610	CM586617	R15/300	15	300

Pack	Cat. Nos.		R25 / R35 – stand-off brackets		
	GS	ZM	H	L	daN
1	CM586640	CM586647	R25	25	98
1	CM586650	CM586657	R35	35	98

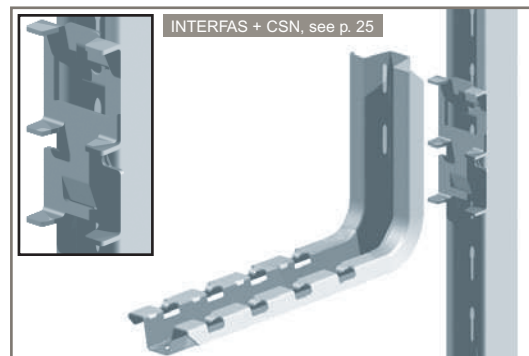
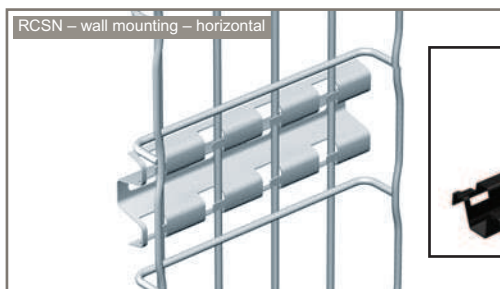
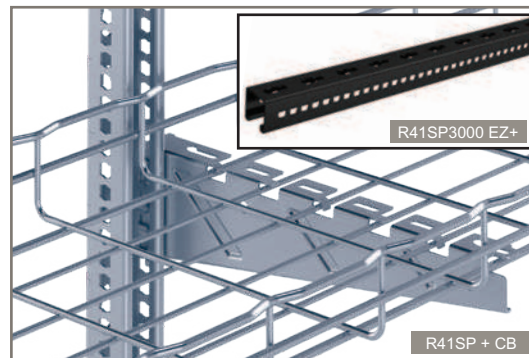
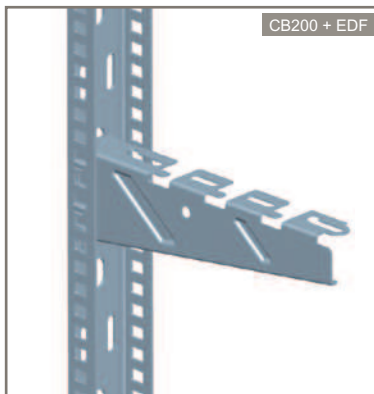
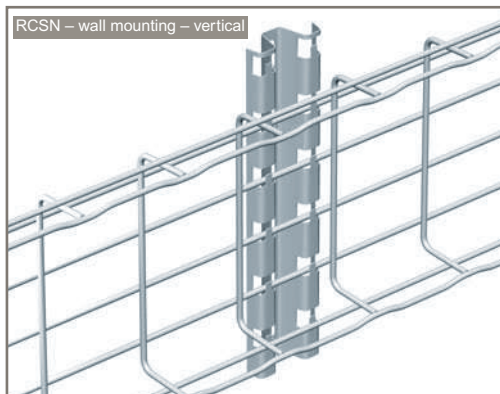
Key:	GS Pre-galvanised	ZM Zinc magnesium
	GC Hot dip galvanised after manufacture	316L Stainless steel 316 L
	DC Zinc rich coating	

For detailed information related to finishes, refer to p. 132-133

Pack	Cat. Nos.		R50 – stand-off brackets		
			↕ 30 → 105 mm	↔ 100 → 600 mm	
			For technical information, see p. 77		
	GS	GC	daN		
1	CM348530	CM348532	150		
1	316L		150		

All dimensions (mm) are nominal

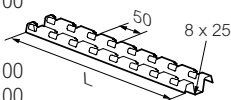
wall mounting – RCSN - EDF - R41SP - INTERFAS



Dimensions and technical information p. 74-75, 79

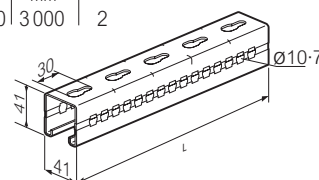
NOTE : please use Cat. No. when placing your order

Pack	Cat. Nos.		RCSN – fast fix support rails		
	GS	GC			
			$\downarrow \uparrow$ 30 → 105 mm	\curvearrowright 100 → 600 mm	For technical information, see p. 79
			L mm	daN	\downarrow F
1	CM013150	CM013153	RCSN150	150	100
1	CM013200	CM013203	RCSN200	200	100
1	CM013300	CM013303	RCSN300	300	100
1	CM013400	CM013403	RCSN400	400	100
1	CM013500	CM013503	RCSN500	500	100
1	CM013550	CM013553	RCSN550	550	100
1	CM013600	CM013603	RCSN600	600	100
1	CM013700	–	RCSN700	700	100
1	CM013010	CM013013	RCSN1000	1000	100
1	CM013020	CM013023	RCSN2000	2000	100
1	CM013030	CM013033	RCSN3000	3000	100
	304L	316L			
1	–	CM013154	RCSN150	150	100
1	–	CM013204	RCSN200	200	100
1	–	CM013304	RCSN300	300	100
1	–	CM013404	RCSN400	400	100
1	–	CM013504	RCSN500	500	100
1	–	–	RCSN550	550	100
1	–	CM013604	RCSN600	600	100
1	–	–	RCSN700	700	100
1	–	CM013014	RCSN1000	1000	100
1	CM013028	CM013024	RCSN2000	2000	100
1	CM013038	CM013034	RCSN3000	3000	100
	EZ+				
1	CM350889		RCSN3000	3000	100



Pack	Cat. Nos.		EDF – pendants / mounting rails		
	GS	GC			
			$\downarrow \uparrow$ 30 → 150 mm	\curvearrowright 100 → 600 mm	For technical information, see p. 74-75
			L mm		
1	CM557610	CM557613	EDF600	600	
1	CM561090	CM561093	EDF1000	1000	
1	CM561010	CM561013	EDF2000	2000	
1	CM561020	CM561023	EDF3000	3000	
	304L	316L			
1	CM561018	CM561014	EDF2000	2000	

Pack	Cat. Nos.		R41SP – pendants / mounting rails (heavy duty)		
	GS	EZ+			
			$\downarrow \uparrow$ 30 → 150 mm	\curvearrowright 100 → 600 mm	For technical information, see p. 74-75
			EZ+ colour : black		
			L mm	mm	
1	CM343930	CM343932	R41SP3000	3000	2



Pack	Cat. Nos.		INTERFAS – adaptor plates		
	GS	DC			
			Used for connecting CSN profile cantilever arms to channel length. For technical information, see p. 72		
1	CM557800	CM557803			

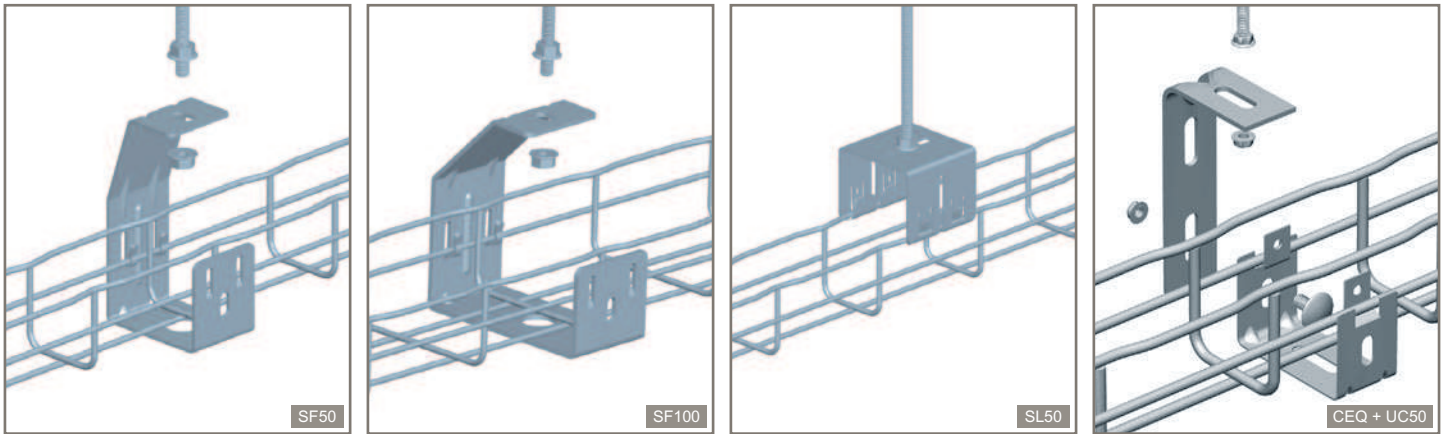
Key:

GS Pre-galvanised	DC Zinc rich coating
EZ+ Additional coating after electrogalvanisation (black)	304L Stainless steel 304 L
GC Hot dip galvanised after manufacture	316L Stainless steel 316 L

For detailed information related to finishes, refer to p. 132-133

All dimensions (mm) are nominal

ceiling mounting – SF50 – SF100 – SL50 – CEQ – UC50



Dimensions and technical information p. 80-81

NOTE : please use Cat. No. when placing your order

SF50 – SF100 – central hangers

Pack	Cat. Nos.	Finish	Height (mm)	Length (mm)	Load (daN)
1	CM586140	GS	30	73	30
1	CM586100	GC	26	134	26
1	-	304L	30	73	30
1	CM586144	316L	30	73	30
1	CM586104	316L	26	134	26

\downarrow 30 → 54 mm \curvearrowright 50 → 100 mm
 For technical information, see p. 80

SL50 – luminaire support

Pack	Cat. Nos.	Finish	Height (mm)	Length (mm)	Load (daN)
1	CM585180	GS	56	73	150

\downarrow 30 → 54 mm \curvearrowright 50 mm
 For technical information, see p. 80

CEQ – central hanger brackets

Pack	Cat. Nos.	Finish	Height (mm)	Length (mm)	Load (daN)
1	CM557300	GS	30	110	12
1	CM557304	GC	30	110	12
1	-	304L	30	110	12
1	CM557304	316L	30	110	12

\downarrow 30 → 54 mm \curvearrowright 50 mm
 For technical information, see p. 81

UC50 – support cradles

Pack	Cat. Nos.	Finish	Height (mm)	Length (mm)	Load (daN)
1	CM586040	GS	45	70.4	12
1	CM586048	304L	45	70.4	12
1	CM586043	GC	45	70.4	12
1	CM586044	316L	45	70.4	12

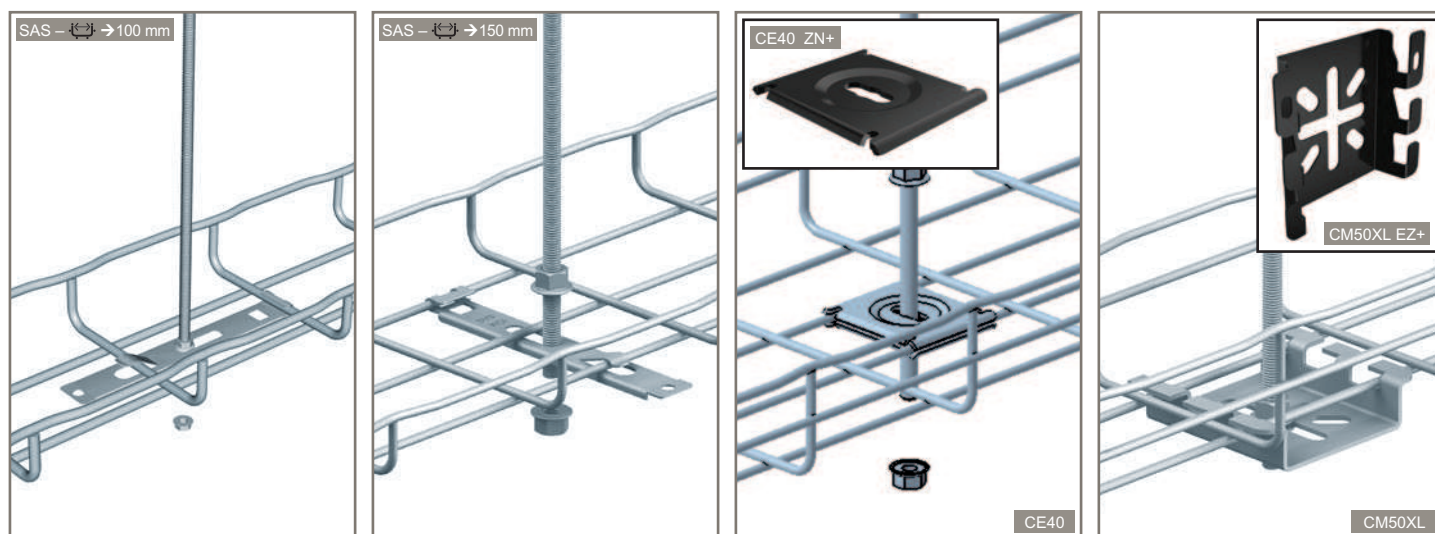
\downarrow 30 → 54 mm \curvearrowright 50 mm
 For technical information, see p. 81

Key: GS Pre-galvanised	304L Stainless steel 304 L
GC Hot dip galvanised after manufacture	316L Stainless steel 316 L

For detailed information related to finishes, refer to p. 132-133

All dimensions (mm) are nominal

ceiling mounting – SAS - CE40 - CM50XL



Dimensions and technical information p. 82-83

NOTE : please use Cat. No. when placing your order

Pack	Cat. Nos.	SAS – suspension hangers				
1	<table border="1"> <tr> <td>EZ</td> <td>DC</td> </tr> <tr> <td>CM586031</td> <td>CM586037</td> </tr> </table>	EZ	DC	CM586031	CM586037	<p>↓↑ 30 → 54 mm ↻ 100 → 150 mm</p> <p>For technical information, see p. 82</p> <p>↓ F daN 60</p>
EZ	DC					
CM586031	CM586037					

Pack	Cat. Nos.	CE40 – hold down clamps				
25	<table border="1"> <tr> <td>EZ</td> <td>DC</td> </tr> <tr> <td>CM558051</td> <td>CM558053</td> </tr> </table>	EZ	DC	CM558051	CM558053	<p>↓↑ 30 → 54 mm ↻ 100 → 200 mm</p> <p>For technical information, see p. 83</p> <p>↓ F daN 100</p>
EZ	DC					
CM558051	CM558053					
25	<table border="1"> <tr> <td>304L</td> <td>316L</td> </tr> <tr> <td>CM558058</td> <td>CM558054</td> </tr> </table>	304L	316L	CM558058	CM558054	<p>100</p>
304L	316L					
CM558058	CM558054					
25	<table border="1"> <tr> <td>ZN+</td> </tr> <tr> <td>CM350839</td> </tr> </table>	ZN+	CM350839	<p>ZN+ colour : black</p> <p>100</p>		
ZN+						
CM350839						

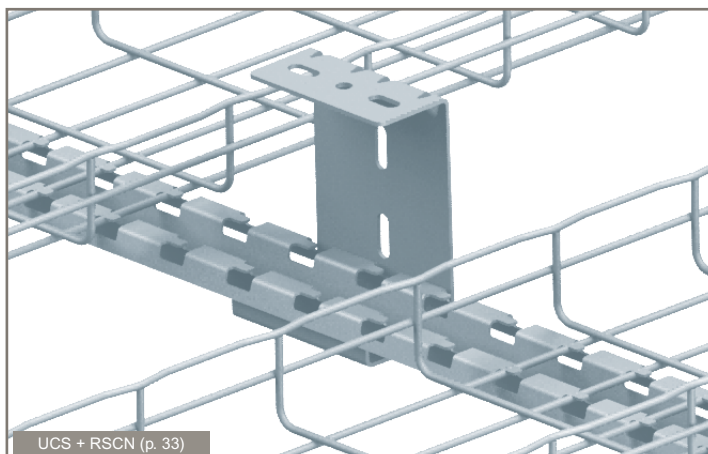
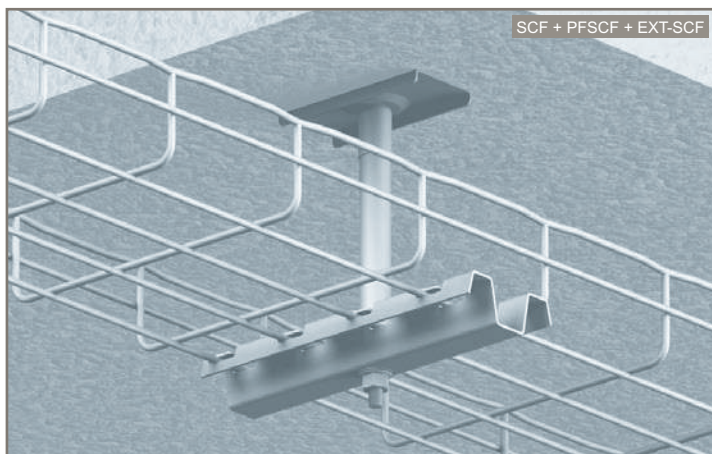
Pack	Cat. Nos.	CM50XL – universal mounting plates (large)				
1	<table border="1"> <tr> <td>GS</td> <td>GC</td> </tr> <tr> <td>CM586130</td> <td>CM586133</td> </tr> </table>	GS	GC	CM586130	CM586133	<p>↓↑ 30 → 54 mm ↻ 100 → 200 mm</p> <p>For technical information, see p. 83</p> <p>↓ F daN 100</p>
GS	GC					
CM586130	CM586133					
1	<table border="1"> <tr> <td>304L</td> <td>316L</td> </tr> <tr> <td>CM586138</td> <td>CM586134</td> </tr> </table>	304L	316L	CM586138	CM586134	<p>100</p>
304L	316L					
CM586138	CM586134					
1	<table border="1"> <tr> <td>EZ+</td> </tr> <tr> <td>CM350880</td> </tr> </table>	EZ+	CM350880	<p>EZ+ colour : black</p> <p>100</p>		
EZ+						
CM350880						

Key:			
GS	Pre-galvanised	DC	Zinc rich coating
EZ	Electrogalvanised after manufacture	304L	Stainless steel 304 L
EZ+	Additional coating after electrogalvanisation (black)	316L	Stainless steel 316 L
ZN+	Zinc nickel plus additional coating (black)		

For detailed information related to finishes, refer to p. 132-133

All dimensions (mm) are nominal

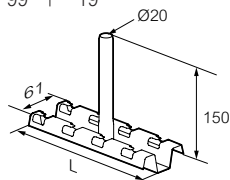
ceiling mounting – SCF - PFSCF - EXT-SCF - UCS



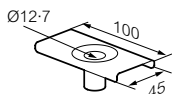
Dimensions and technical information p. 84-85

NOTE : please use Cat. No. when placing your order

Pack	Cat. Nos.	SCF – central hangers			
		$\downarrow \uparrow 30 \rightarrow 54 \text{ mm}$ $\leftarrow \rightarrow 200 \rightarrow 600 \text{ mm}$ For technical information, see p. 84			
	GS	L	$\downarrow \uparrow$	$\leftarrow \rightarrow$	$\downarrow \uparrow$
		mm	daN	daN	daN
1	CM586200	SCF200	194	200	37
1	CM586300	SCF300	294	160	29
1	CM586400	SCF400	394	141	23
1	CM586450	SCF450	444	130	20
1	CM586500	SCF500	494	121	20
1	CM586600	SCF600	594	99	19



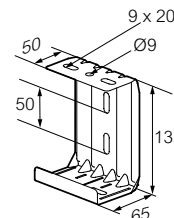
Pack	Cat. Nos.	PFSCF – locating ceiling plate	
		$\downarrow \uparrow 30 \rightarrow 54 \text{ mm}$ $\leftarrow \rightarrow 200 \rightarrow 600 \text{ mm}$ For technical information, see p. 84	
	GS	L	
		mm	
1	CM586210	100	



Pack	Cat. Nos.	EXT-SCF – rod sheaths		
		$\downarrow \uparrow 30 \rightarrow 54 \text{ mm}$ $\leftarrow \rightarrow 200 \rightarrow 600 \text{ mm}$ For technical information, see p. 84		
	GS	L		
		mm		
1	CM586810	EXT-SCF 50	50	
1	CM586820	EXT-SCF 100	100	
1	CM586830	EXT-SCF 150	150	
1	CM586840	EXT-SCF 325	325	



Pack	Cat. Nos.	UCS – ceiling support brackets		
		$\downarrow \uparrow 30 \rightarrow 54 \text{ mm}$ $\leftarrow \rightarrow 50 \rightarrow 300 \text{ mm}$ For technical information, see p. 85		
	GS	L	\curvearrowright	
		mm	daN.m	
1	CM586150	100	18	
	GC			
	316L			
1	CM586154	100	18	

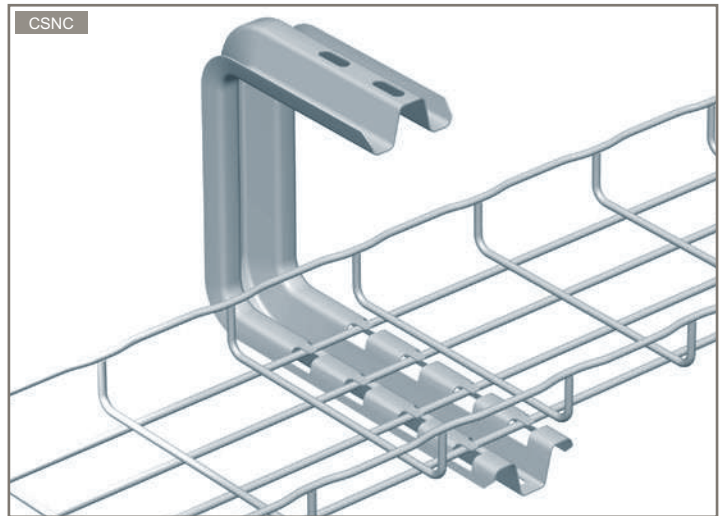
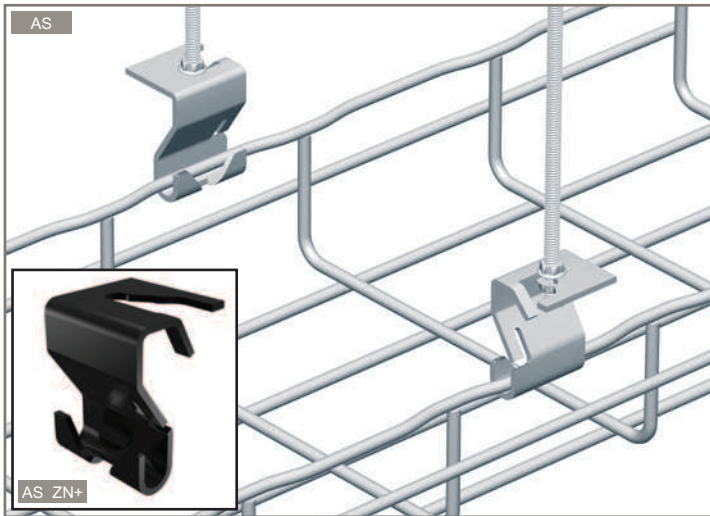


Key: **GS** Pre-galvanised **316L** Stainless steel 316 L
GC Hot dip galvanised after manufacture

For detailed information related to finishes, refer to p. 132-133

All dimensions (mm) are nominal

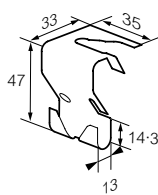
ceiling mounting – AS - CSNC



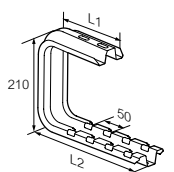
Dimensions and technical information p. 86-87

NOTE : please use Cat. No. when placing your order

Pack	Cat. Nos.	AS – suspension hooks
		\downarrow 30 → 105 mm \curvearrowright 100 → 600 mm For technical information, see p. 86
1	GS DC CM586020 CM586023	\downarrow F daN 100
1	316L CM586024	100
1	ZN+ CM350587	ZN+ colour : black 100



Pack	Cat. Nos.	CSNC – profile roof cantilever arms
		\downarrow 30 → 105 mm \curvearrowright 100 → 450 mm For technical information, see p. 87
1	GS GC CM556300 CM556303	L1 mm L2 mm \downarrow F daN CSNC100 170 178 120
1	CM556310 CM556313	CSNC150 170 228 100
1	CM556320 CM556323	CSNC200 170 278 80
1	CM556330 CM556333	CSNC300 288 378 70
1	CM556340 CM556343	CSNC400 288 478 48
1	CM556350 CM556353	CSNC450 288 528 44
	316L	
1	CM556304	CSNC100 170 178 120
1	CM556314	CSNC150 170 228 100
1	CM556324	CSNC200 170 278 80



Pack	Cat. Nos.	EPVCSN – end caps
1	PVC CM559605	For use with CSNC cantilever arms

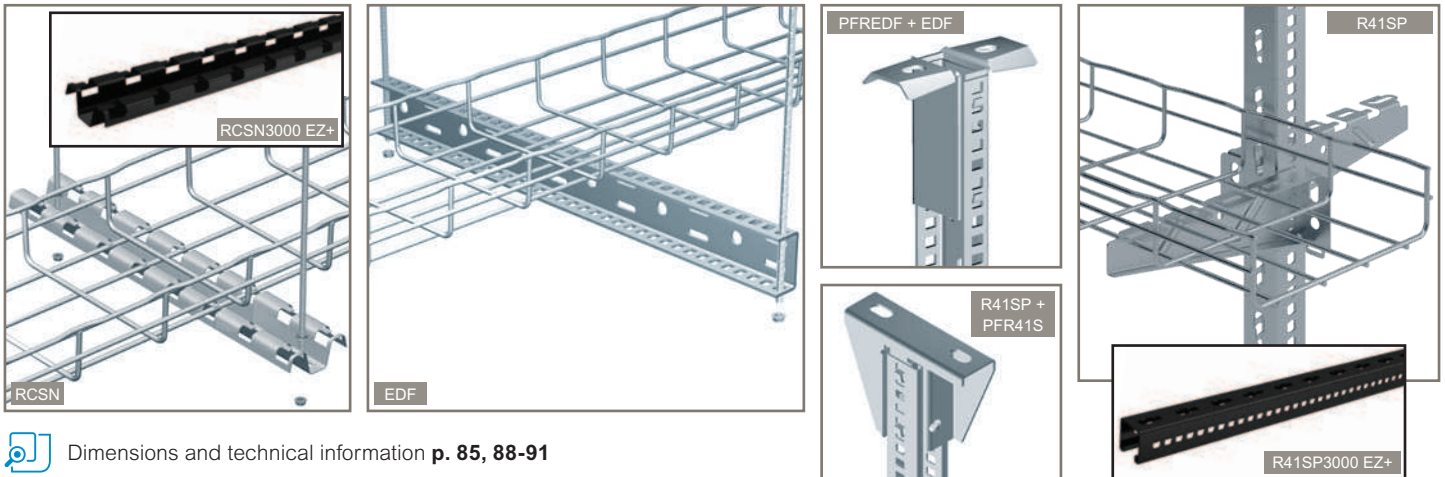


Key: GS	Pre-galvanised	DC	Zinc rich coating
ZN+	Zinc nickel plus additional coating (black)	316L	Stainless steel 316 L
GC	Hot dip galvanised after manufacture		

For detailed information related to finishes, refer to p. 132-133

All dimensions (mm) are nominal

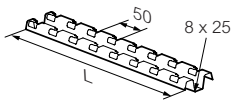
ceiling mounting – RCSN - PFREDF - EDF - R41SP - PFR41S



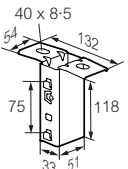
Dimensions and technical information p. 85, 88-91

NOTE : please use Cat. No. when placing your order

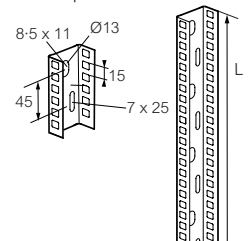
Pack	Cat. Nos.		RCSN – fast fix support rails	
			$\downarrow \uparrow$ 30 → 105 mm	$\leftarrow \rightarrow$ 100 → 600 mm
			For trapeze mounting, add 100 mm to width of tray to order correct size support rail - e.g. for 100 mm tray order RCSN200 (Cat. Nos. CM013200 / 03 / 04) For technical information, see p. 85, 88-91	
	GS	GC		L mm
1	CM013150	CM013153	RCSN150	150
1	CM013200	CM013203	RCSN200	200
1	CM013300	CM013303	RCSN300	300
1	CM013400	CM013403	RCSN400	400
1	CM013500	CM013503	RCSN500	500
1	CM013550	CM013553	RCSN550	550
1	CM013600	CM013603	RCSN600	600
1	CM013700	-	RCSN700	700
1	CM013010	CM013013	RCSN1000	1000
1	CM013020	CM013023	RCSN2000	2000
1	CM013030	CM013033	RCSN3000	3000
	304L	316L		
1	-	CM013154	RCSN150	150
1	-	CM013204	RCSN200	200
1	-	CM013304	RCSN300	300
1	-	CM013404	RCSN400	400
1	-	CM013504	RCSN500	500
1	-	-	RCSN550	550
1	-	CM013604	RCSN600	600
1	-	-	RCSN700	700
1	-	CM013014	RCSN1000	1000
1	CM013028	CM013024	RCSN2000	2000
1	CM013038	CM013034	RCSN3000	3000
	EZ+		EZ+ colour : black	
1	CM350889		RCSN3000 3000	



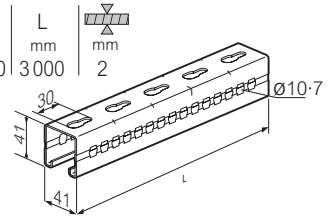
Pack	Cat. Nos.		PFREDF – pendant mounting plates	
			$\downarrow \uparrow$ 30 → 105 mm	$\leftarrow \rightarrow$ 100 → 600 mm
			For technical information see p. 90	
	GS	GC		daN.m
1	CM561080	-		18
1	304L	316L	CM561084	18



Pack	Cat. Nos.		EDF – profile pendants / mounting rails	
			$\downarrow \uparrow$ 30 → 105 mm	$\leftarrow \rightarrow$ 100 → 600 mm
			For technical information see p. 89-90	
	GS	GC		L mm
1	CM561010	CM561013	EDF2000	2000
1	304L	316L	EDF2000	2000



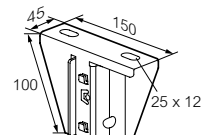
Pack	Cat. Nos.		R41SP – pendants / mounting rails (heavy duty)	
			$\downarrow \uparrow$ 30 → 150 mm	$\leftarrow \rightarrow$ 100 → 600 mm
			For technical information, see p. 91	
	GS	EZ+		R41SP3000
1	CM343930	CM343932	3000	3000



Key: GS Pre-galvanised	304L Stainless steel 304 L
EZ+ Additional coating after electrogalvanisation (black)	316L Stainless steel 316 L
GC Hot dip galvanised after manufacture	

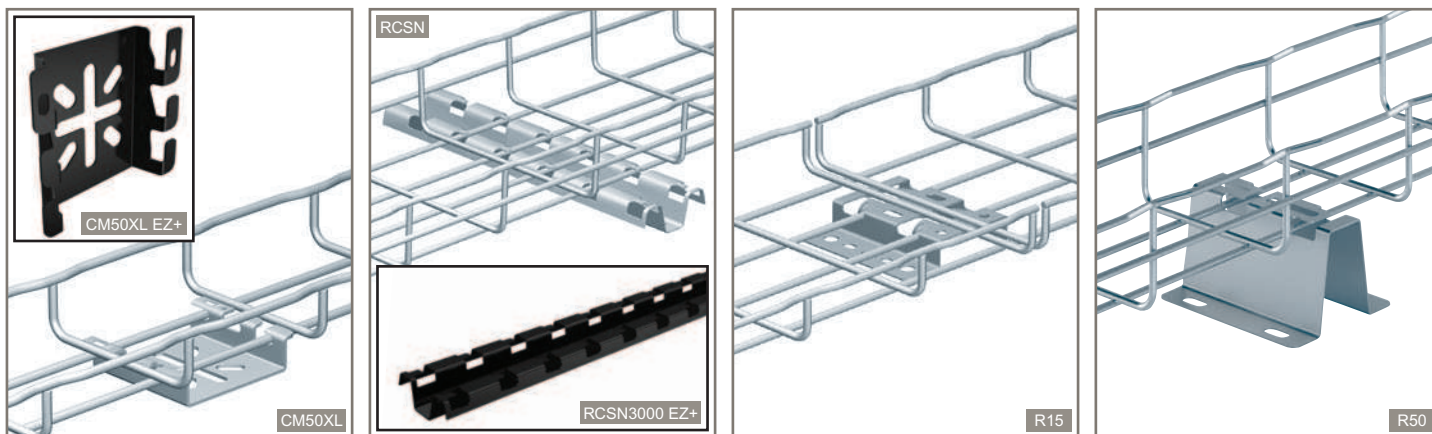
For detailed information related to finishes, refer to p. 132-133

Pack	Cat. Nos.	PFR41S – pendant mounting plate (heavy duty)
		$\downarrow \uparrow$ 30 → 105 mm
		$\leftarrow \rightarrow$ 100 → 600 mm
		For technical information see p. 91
	GS	
1	CM595380	
		daN
		45



All dimensions (mm) are nominal

floor mounting – CM50XL - RCSN - R15/25/35 - R50



Dimensions and technical information p. 92-94, 98-99

NOTE : please use Cat. No. when placing your order

Pack	Cat. Nos.		CM50XL – universal mounting plates (large)	
			\updownarrow 30 → 150 mm \curvearrowright 100 → 600 mm For technical information, see p. 92	
1	GS	GC		
	CM586130	CM586133		
1	304L	316L		
	CM586138	CM586134		
1	EZ+		EZ+ colour : black	
	CM350880			

Pack	Cat. Nos.		RCSN – fast fix support rails		
			\updownarrow 30 → 150 mm \curvearrowright 100 → 600 mm For technical information, see p. 93, 98-99		
	GS	GC	L		
1	CM013150	CM013153	RCSN150		150
1	CM013200	CM013203	RCSN200		200
1	CM013300	CM013303	RCSN300		300
1	CM013400	CM013403	RCSN400		400
1	CM013500	CM013503	RCSN500		500
1	CM013550	CM013553	RCSN550		550
1	CM013600	CM013603	RCSN600		600
1	CM013700	–	RCSN700		700
1	CM013010	CM013013	RCSN1000		1000
1	CM013020	CM013023	RCSN2000		2000
1	CM013030	CM013033	RCSN3000		3000
	304L	316L			
1	–	CM013154	RCSN150		150
1	–	CM013204	RCSN200		200
1	–	CM013304	RCSN300		300
1	–	CM013404	RCSN400		400
1	–	CM013504	RCSN500	500	
1	–	–	RCSN550	550	
1	–	CM013604	RCSN600	600	
1	–	–	RCSN700	700	
1	–	CM013014	RCSN1000	1000	
1	CM013028	CM013024	RCSN2000	2000	
1	CM013038	CM013034	RCSN3000	3000	
	EZ+		EZ+ colour : black		
1	CM350889		RCSN3000 3000		

Pack	Cat. Nos.		R15 / R25 / R35 – stand-off brackets			
			\updownarrow 30 → 150 mm \curvearrowright 100 → 600 mm For technical information, see p. 94			
1	GS	ZM	R15/100	H	L	
	CM586170	CM586173		15	98	
1	316L			15	98	
	CM586174					
1	GS	ZM	R15/300	H	L	
	CM586610	CM586617		15	300	
1	316L			15	300	
	CM586618					
1	GS	ZM	R25	H	L	
	CM586640	CM586647		25	98	
1	316L			25	98	
	CM586648					
1	GS	ZM	R35	H	L	
	CM586650	CM586657		35	98	
1	316L			35	98	
	CM586658					

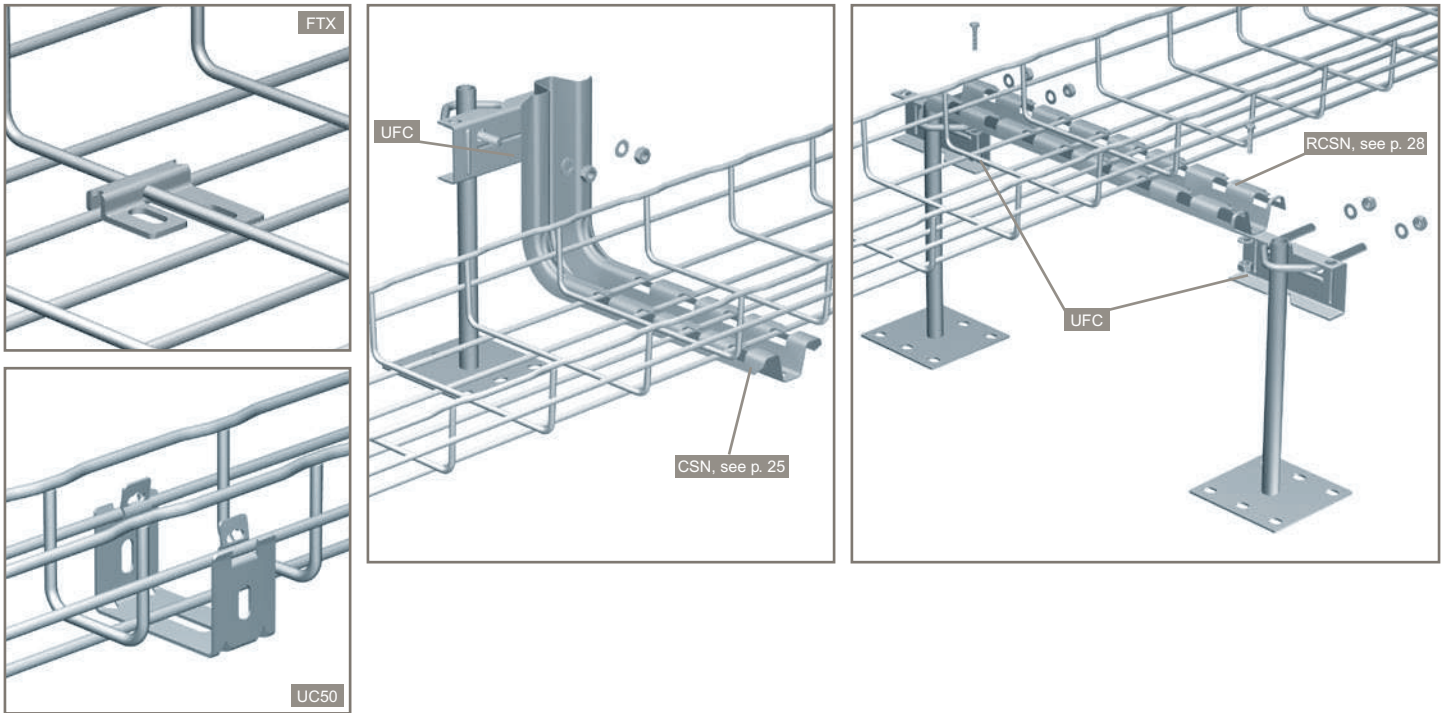
Pack	Cat. Nos.		R50 – stand-off brackets		
			\updownarrow 30 → 150 mm \curvearrowright 100 → 600 mm For technical information, see p. 94		
1	GS	GC			
	CM348530	CM348532			
1	316L				
	CM348531				
1	316L			daN	
	CM348531			150	

Key:	GS Pre-galvanised	304L Stainless steel 304 L
	EZ+ Additional coating after electrogalvanisation (black)	316L Stainless steel 316 L
	GC Hot dip galvanised after manufacture	
	ZM Zinc magnesium	

For detailed information related to finishes, refer to p. 132-133

All dimensions (mm) are nominal

floor mounting – FTX – UC50 – UFC



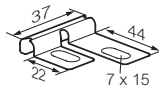
Dimensions and technical information **p. 95-98**

NOTE : please use Cat. No. when placing your order

Pack	Cat. Nos.		
1	GS CM586180	DC CM586183	316L CM586184

FTX – base fixing plates

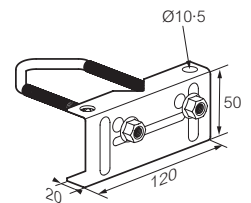
⏏ 30/54/105 mm ⏏ 35 → 600 mm
For technical information see p. 95



Pack	Cat. No.
1	GS CM559220

UFC – clamp unit

⏏ 30 → 105 mm ⏏ 100 → 600 mm
For technical information see p. 97-98

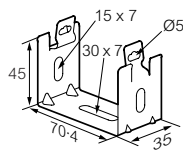


1	GS CM586040	GC CM586043
1	304L CM586048	316L CM586044

UC50 – support cradles

⏏ 30 → 54 mm ⏏ 50 mm
For technical information see p. 96

daN
12

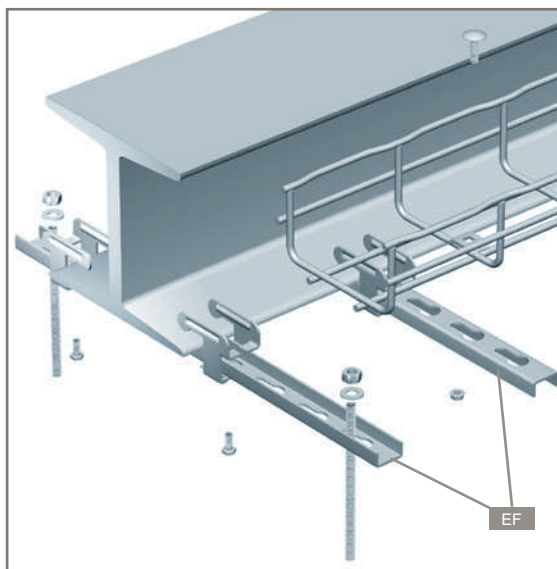
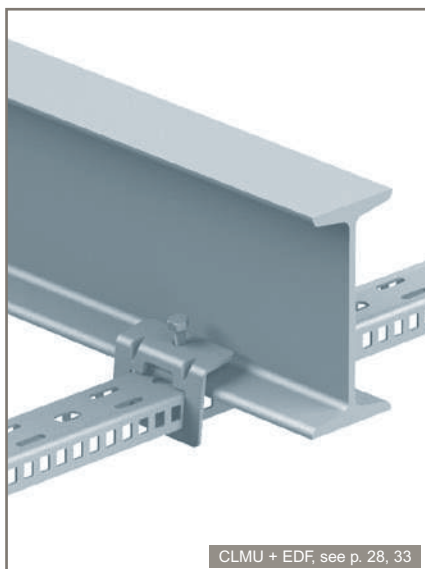
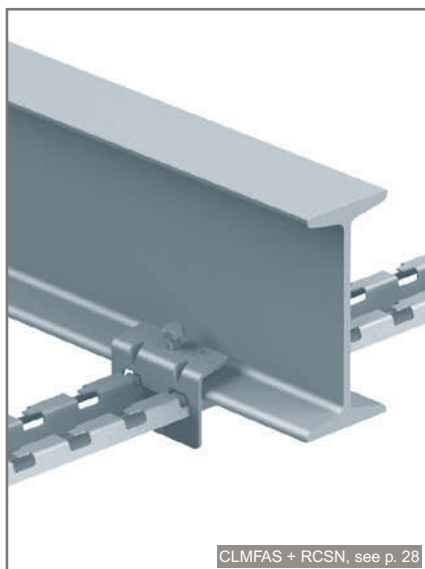


Key:			
GS	Pre-galvanised	304L	Stainless steel 304 L
GC	Hot dip galvanised after manufacture	316L	Stainless steel 316 L
DC	Zinc rich coating		

For detailed information related to finishes, refer to **p. 132-133**

All dimensions (mm) are nominal

beam mounting - CLMFAS – CLMU – EF



Dimensions and technical information p. 99-101

NOTE : please use Cat. No. when placing your order

Pack	Cat. Nos.		
1	GS	ZM	316L
	CM559280	CM559287	CM559284
1	GS	ZM	316L
	CM559090	CM559097	-

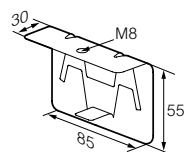
Beam clamps

CLMFAS – beam clamps

$\updownarrow 30 \rightarrow 105 \text{ mm}$ $\leftrightarrow 50 \rightarrow 600 \text{ mm}$

For use with RCSN, see p. 99
For technical information see p. 99

daN.m
18

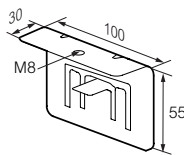


CLMU – beam clamps

$\updownarrow 30 \rightarrow 105 \text{ mm}$ $\leftrightarrow 50 \rightarrow 600 \text{ mm}$

For use with EDF, see p. 100
For technical information see p. 100

daN.m
15



Pack	Cat. Nos.
1	EZ
1	CM559201 CM559211

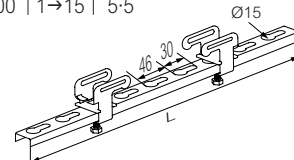
Beam clamps (continued)

EF – adjustable beam clamps

$\updownarrow 30 \rightarrow 54 \text{ mm}$ $\leftrightarrow 100 \rightarrow 300 \text{ mm}$

For technical information see p. 101

L	H	daN.m
mm	mm	
400	1→11	3-5
600	1→15	5-5



Key: **GS** Pre-galvanised **316L** Stainless steel 316 L

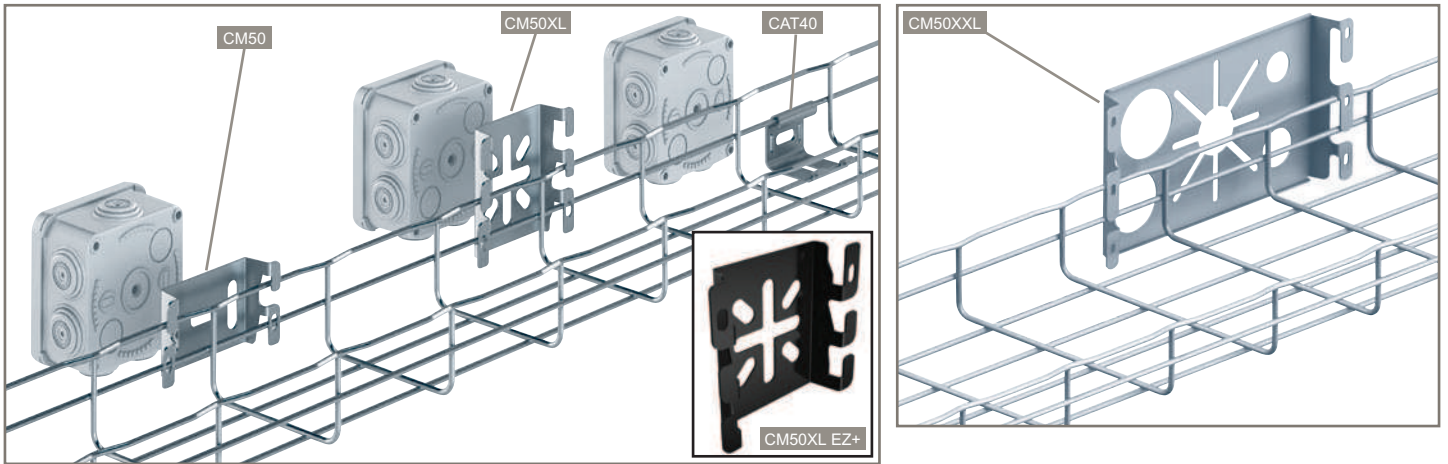
EZ Electrogalvanised after manufacture

ZM Zinc magnesium

For detailed information related to finishes, refer to p. 132-133

All dimensions (mm) are nominal

other mounting - universal mounting plates - CM50 – CM50XL – CAT40 – CM50XXL



Dimensions and technical information p. 102-103

NOTE : please use Cat. No. when placing your order

Pack	Cat. Nos.	Universal mounting plates												
1	<table border="0"> <tr> <td>GS</td> <td>GC</td> </tr> <tr> <td>CM586060</td> <td>CM586063</td> </tr> <tr> <td>304L</td> <td>316L</td> </tr> <tr> <td>CM586068</td> <td>CM586064</td> </tr> </table>	GS	GC	CM586060	CM586063	304L	316L	CM586068	CM586064	CM50 – universal mounting plates (small) ⤴ 54 / 105 / 150 mm ⤵ 50 → 600 mm For technical information see p. 102 				
GS	GC													
CM586060	CM586063													
304L	316L													
CM586068	CM586064													
1	<table border="0"> <tr> <td>GS</td> <td>GC</td> </tr> <tr> <td>CM586130</td> <td>CM586133</td> </tr> <tr> <td>304L</td> <td>316L</td> </tr> <tr> <td>CM586138</td> <td>CM586134</td> </tr> <tr> <td colspan="2" style="text-align: center;">EZ+</td> </tr> <tr> <td colspan="2" style="text-align: center;">CM350880</td> </tr> </table>	GS	GC	CM586130	CM586133	304L	316L	CM586138	CM586134	EZ+		CM350880		CM50XL – universal mounting plates (large) ⤴ 54 → 150 mm ⤵ 50 → 600 mm For technical information see p. 102
GS	GC													
CM586130	CM586133													
304L	316L													
CM586138	CM586134													
EZ+														
CM350880														
1	<table border="0"> <tr> <td>GS</td> <td>DC</td> <td>316L</td> </tr> <tr> <td>CM586190</td> <td>CM586197</td> <td>CM586194</td> </tr> </table>	GS	DC	316L	CM586190	CM586197	CM586194	CAT40 – universal mounting plates ⤴ 30 / 54 / 105 mm ⤵ 50 → 600 mm For technical information see p. 102 						
GS	DC	316L												
CM586190	CM586197	CM586194												

Pack	Cat. Nos.	Universal mounting plates (continued)				
1	<table border="0"> <tr> <td>GS</td> <td>DC</td> </tr> <tr> <td>CM586250</td> <td>CM586257</td> </tr> </table>	GS	DC	CM586250	CM586257	CM50XXL – universal mounting plates (extra large) ⤴ 30 → 105 ⤵ 50 → 600 mm For technical information see p. 103
GS	DC					
CM586250	CM586257					

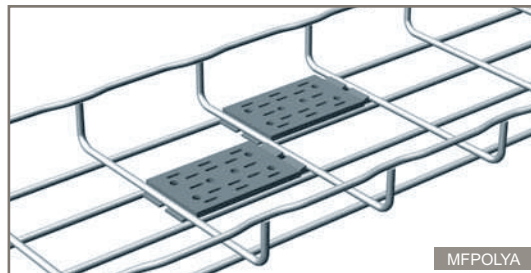
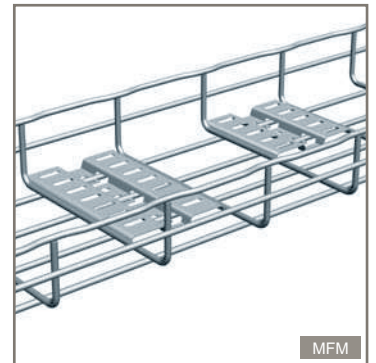
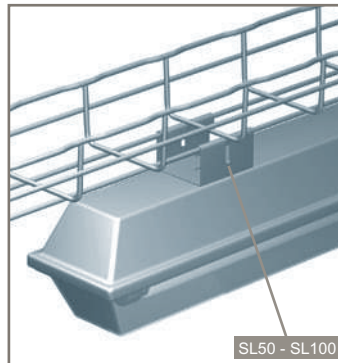
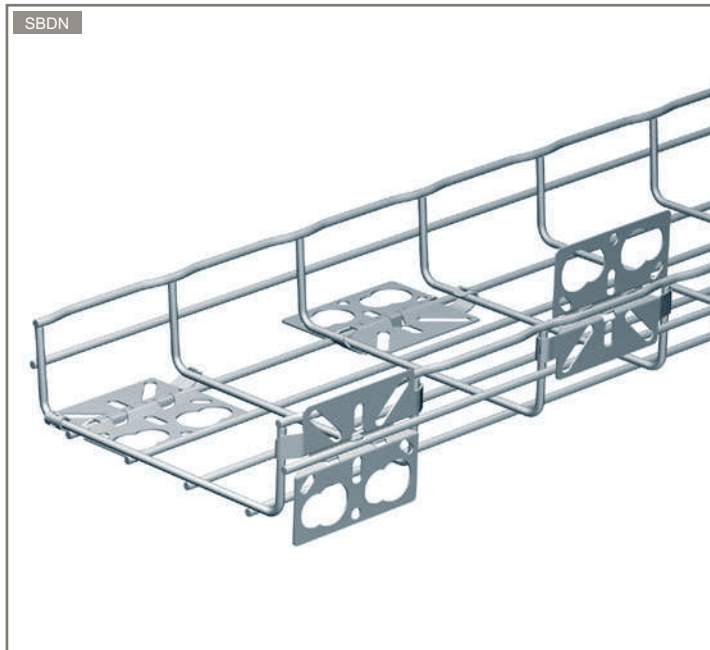
Key:	GS Pre-galvanised	304L Stainless steel 304 L
	EZ+ Hot dip galvanised after manufacture	316L Stainless steel 316 L
	GC Hot dip galvanised after manufacture	
	DC Zinc rich coating	

For detailed information related to finishes, refer to p. 132-133

All dimensions (mm) are nominal

other mounting - take-off plates - SBDN

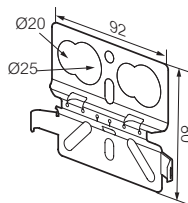
other mounting - luminaire supports - SL50 - SL100 - MFM - MFPOLYA



Dimensions and technical information p. 104

NOTE : please use Cat. No. when placing your order

Pack	Cat. Nos.	Take-off plates		
1	<table border="1"> <tr> <td>GS CM350575</td> <td>ZM CM350576</td> </tr> </table>	GS CM350575	ZM CM350576	SBDN – universal conduit take-off plates $\updownarrow 30 \rightarrow 150$ mm $\leftrightarrow 50 \rightarrow 600$ mm For technical information see p. 104
GS CM350575	ZM CM350576			



Dimensions and technical information p. 105

NOTE : please use Cat. No. when placing your order

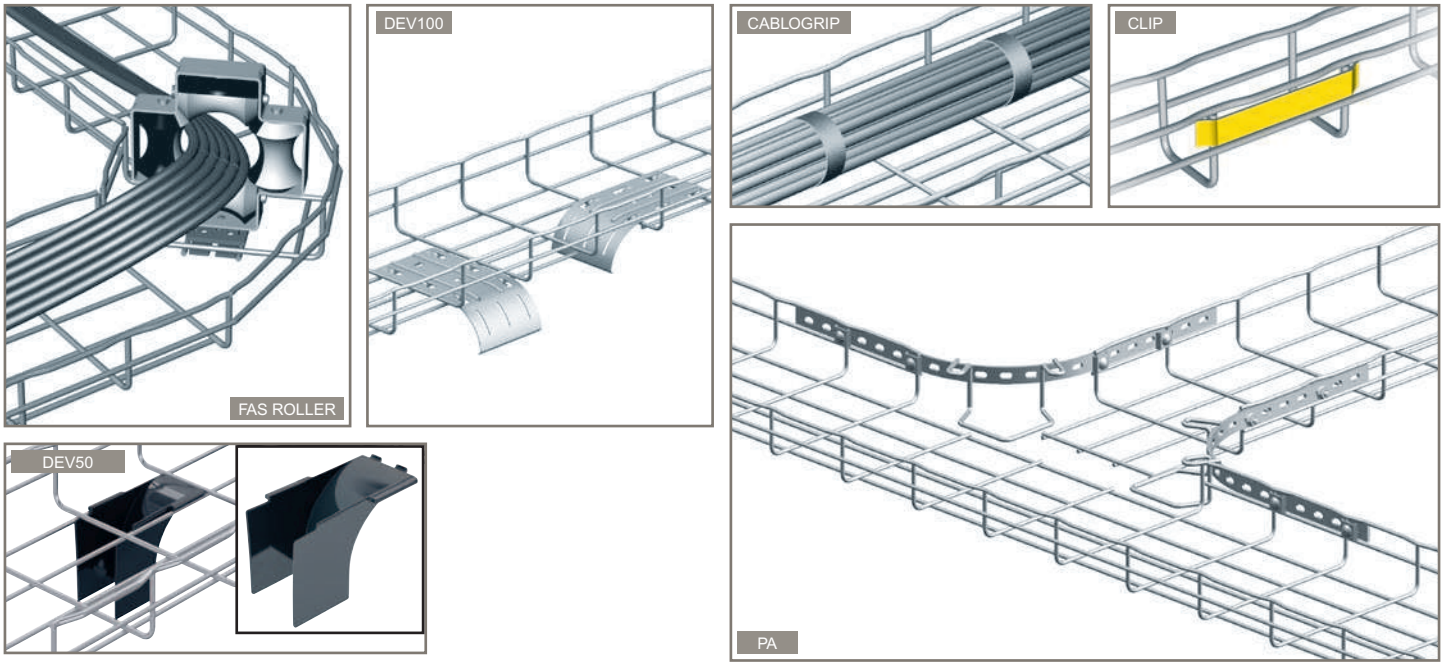
Pack	Cat. Nos.	Luminaire supports
1	GS CM585180	SL50 – luminaire support $\updownarrow 30 \rightarrow 54$ $\leftrightarrow 50$ mm For technical information see p. 105 H mm 56 F daN 150
1	GS CM585190	SL100 – luminaire support $\updownarrow 30 \rightarrow 105$ $\leftrightarrow 100 \rightarrow 600$ mm For technical information see p. 105 H mm 43 F daN 150
1	GS CM585140	MFM – multifix base plates $\updownarrow 30 \rightarrow 150$ $\leftrightarrow 100 \rightarrow 600$ mm For technical information see p. 105 L mm 100
1	ZM CM585143	
1	316L CM585144	MFPOLYA – multifix base plate $\updownarrow 30 \rightarrow 150$ $\leftrightarrow 100 \rightarrow 600$ mm For technical information see p. 105 L mm 150
1	ZM CM585153	
20	Polyamide CM585145	

Key: GS Pre-galvanised	316L Stainless steel 316 L
ZM Zinc magnesium	

For detailed information related to finishes, refer to p. 132-133

All dimensions (mm) are nominal

cabling accessories - FAS ROLLER – DEV100 – DEV50 – CABLOGRIP – CLIP – PA



Dimensions and technical information p. 106-108

NOTE : please use Cat. No. when placing your order

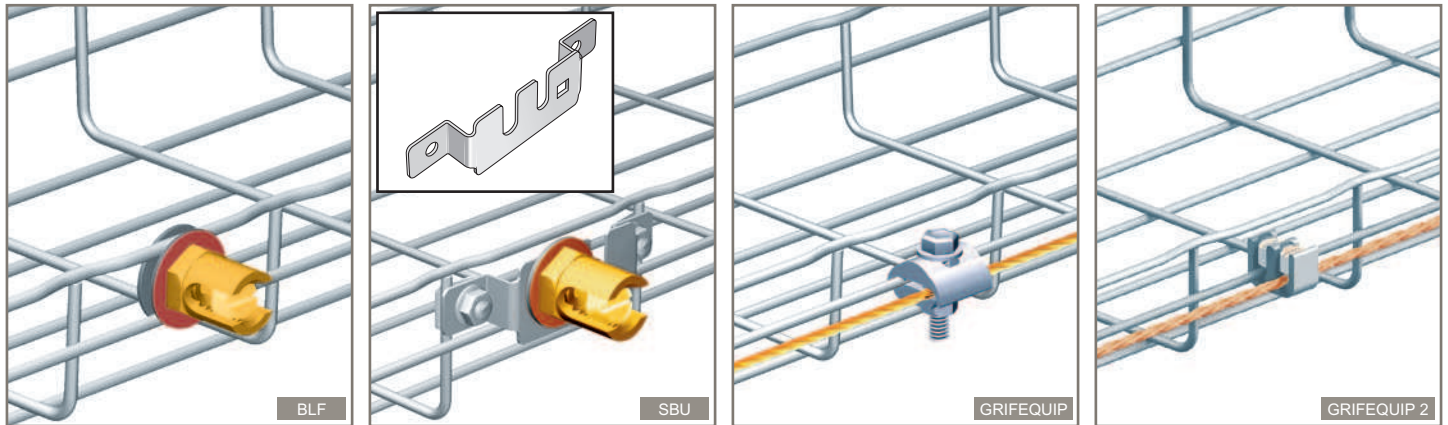
Pack	Cat. Nos.	Cabling accessories	Pack	Cat. Nos.	Cabling accessories (continued)
1	<div style="display: flex; align-items: center; justify-content: center;"> <div style="border: 1px solid black; padding: 2px; margin-right: 5px;">GS</div> <div style="margin-right: 10px;">CM011100</div> </div>	FAS ROLLER – cabling roller ⤴ 30 → 150 ⤵ 50 → 600 mm For technical information see p. 107 	50	<div style="display: flex; align-items: center; justify-content: center;"> <div style="border: 1px solid black; padding: 2px; margin-right: 5px;">PLAST</div> <div style="margin-right: 10px;">CM559157</div> </div>	CLIP – identification tags ⤴ 30 → 150 ⤵ 50 → 600 mm For technical information see p. 107 CLIPJ ■ CLIPV ■ CLIPB ■ CLIPO ■ CLIPG ■ CLIPP ■ CLIPR ■ CLIPW CLIPN ■
1	<div style="display: flex; align-items: center; justify-content: center;"> <div style="border: 1px solid black; padding: 2px; margin-right: 5px;">GS</div> <div style="margin-right: 10px;">CM585160</div> <div style="margin-right: 10px;"> <div style="border: 1px solid black; padding: 2px; margin-right: 5px;">ZM</div> <div style="margin-right: 10px;">CM585167</div> </div> <div style="margin-right: 10px;"> <div style="border: 1px solid black; padding: 2px; margin-right: 5px;">316L</div> <div>CM585164</div> </div> </div>	DEV100 – cable dropout plates ⤴ 30 → 150 ⤵ 100 → 600 mm For technical information see p. 106 	50	<div style="display: flex; align-items: center; justify-content: center;"> <div style="border: 1px solid black; padding: 2px; margin-right: 5px;">EZ</div> <div style="margin-right: 10px;">CM840101</div> <div style="margin-right: 10px;"> <div style="border: 1px solid black; padding: 2px; margin-right: 5px;">GC</div> <div>CM840103</div> </div> </div>	CLIPL ■ CLIPM ■ CLIPN ■ CLIPO ■ CLIPQ ■ CLIPR ■ CLIPV ■ CLIPW CLIPX ■
2	<div style="display: flex; align-items: center; justify-content: center;"> <div style="border: 1px solid black; padding: 2px; margin-right: 5px;">PLAST</div> <div>CM350535</div> </div>	DEV50 – dropout module ⤴ 30 → 150 ⤵ 100 → 600 mm For technical information see p. 106 	1	<div style="display: flex; align-items: center; justify-content: center;"> <div style="border: 1px solid black; padding: 2px; margin-right: 5px;">EZ</div> <div style="margin-right: 10px;">CM840111</div> <div style="margin-right: 10px;"> <div style="border: 1px solid black; padding: 2px; margin-right: 5px;">GC</div> <div>CM840113</div> </div> </div>	PA – radius support ⤴ 30 / 54 / 105 ⤵ 50 → 600 mm For technical information see p. 108 H mm PA1 30 PA2 54 PA4 105
1	<div style="display: flex; align-items: center; justify-content: center;"> <div style="border: 1px solid black; padding: 2px; margin-right: 5px;">GS</div> <div>CM559677</div> </div>	CABLOGRIP – cable grip ⤴ 30 → 150 ⤵ 100 → 600 mm For technical information see p. 107 L mm 5 000 	1	<div style="display: flex; align-items: center; justify-content: center;"> <div style="border: 1px solid black; padding: 2px; margin-right: 5px;">316L</div> <div>CM840131</div> <div style="margin-right: 10px;"> <div style="border: 1px solid black; padding: 2px; margin-right: 5px;">GC</div> <div>CM840133</div> </div> </div>	CLIPY ■ CLIPZ ■ CLIPAA ■ CLIPAB ■ CLIPAC ■ CLIPAD ■ CLIPAE ■ CLIPAF CLIPAG ■

Key:

GS Pre-galvanised	316L Stainless steel 316 L
EZ Electro-galvanised after manufacture	PLAST Plastic
GC Hot dip galvanised after manufacture	
ZM Zinc magnesium	

For detailed information related to finishes, refer to p. 132-133

All dimensions (mm) are nominal



Dimensions and technical information p. 108-109

NOTE : please use Cat. No. when placing your order

Pack	Cat. Nos.	Earth conductor clamps	Pack	Cat. Nos.	Earth conductor clamps (continued)												
		<p>BLF – earth conductor clamp (copper)</p> <p>↕ 30 → 150 ↔ 50 → 600 mm</p> <p>For technical information see p. 108</p> <table border="1"> <tr> <td>L</td> <td>Ø</td> <td rowspan="4"> </td> </tr> <tr> <td>mm</td> <td>mm²</td> </tr> <tr> <td>BLF 6/16</td> <td>19 16</td> </tr> <tr> <td>BLF 6/35</td> <td>22 35</td> </tr> <tr> <td>BLF 6/50</td> <td>25 50</td> <td></td> </tr> </table>	L	Ø		mm	mm²	BLF 6/16	19 16	BLF 6/35	22 35	BLF 6/50	25 50				<p>GRIFEQUIP – earth conductor clamp (aluminium)</p> <p>↕ 30 → 150 ↔ 50 → 600 mm</p> <p>Not suitable for use with stainless steel</p> <p>For technical information see p. 109</p>
L	Ø																
mm	mm²																
BLF 6/16	19 16																
BLF 6/35	22 35																
BLF 6/50	25 50																
10	CU CM585387		1	AL CM585327													
10	CM585397																
10	CM585407																
		<p>SBU – earth conductor clamp support</p> <p>↕ 30 → 150 ↔ 50 → 600 mm</p> <p>For technical information see p. 109</p>			<p>GRIFEQUIP 2 – vertical clamp (aluminium)</p> <p>↕ 30 → 150 ↔ 50 → 600 mm</p> <p>Not suitable for use with stainless steel</p> <p>For technical information see p. 109</p>												
10	GS GC 316L CM585090 CM585093 CM585094		1	AL CM585427													

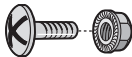
Key: GS Pre-galvanised	AL Aluminium
GC Hot dip galvanised after manufacture	CU Copper
316L Stainless steel 316 L	For detailed information related to finishes, refer to p. 132-133

All dimensions (mm) are nominal

fixings and fasteners + tools



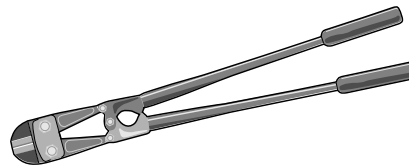
BTRCC



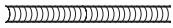
BTRL



EEC



COUPEFILGM



Threaded rods



Flat washers



Hexagon nuts

NOTE : please use Cat. No. when placing your order

Pack	Cat. Nos.		Fixings and fasteners	
	EZ	DC	BTRCC	
100	CM801001	CM801007	BTRCC 6 x 12	Diameter 6 Ø
100	CM801011	CM801017	BTRCC 6 x 20	6 Ø
100	CM801021	CM801027	BTRCC 6 x 30	6 Ø
	304L	316L		
100	CM801008	CM801004	BTRCC 6 x 12	6 Ø
100	CM801018	CM801014	BTRCC 6 x 20	6 Ø
	EZ		BTRL	
100	CM801111		BTRL 8 x 15	Diameter 8 Ø
	EZ	316L	EEC – shouldered hexagon nuts	
100	CM801201	CM801204	EEC6	Diameter 6 Ø
100	CM801211	-	EEC8	8 Ø
			Threaded rod	
			Electroplated zinc	
			Size	
3 m	TR06		M6 x 3 m	
3 m	TR08		M8 x 3 m	
3 m	TR10		M10 x 3 m	
3 m	TR12		M12 x 3 m	
			Flat washers	
			Electroplated zinc	
			Size	
500	FW06		M6	
500	FW08		M8	
500	FW10		M10	
200	FW12		M12	
			Hexagon nuts	
			Electroplated zinc	
			Size	
500	HN06		M6	
500	HN08		M8	
200	HN10		M10	
200	HN12		M12	

Pack	Cat. Nos.	Cutting tools
1	CM559507	COUPEFILGM – croppers Manual wire tray cutter Length : 630 mm
5	EZ CM558260	Fixing tool CLEEDR For EDRN couplers, see p. 18
1	CM559617	Black spray - 400 ml BRP Recommended for use on cut ends of EZ+ (black) items

Key: EZ	Electrogalvanised after manufacture	304L	Stainless steel 304 L
DC	Zinc rich coating	316L	Stainless steel 316 L

For detailed information related to finishes, refer to **p. 132-133**

All dimensions (mm) are nominal

technical specifications

TECHNICAL SPECIFICATIONS

STRAIGHT LENGTHS / DIVIDERS / COVERS

54 mm deep tray (CF54)	44
FASCLIC AUTO (FCFA54) / FASCLIC (FCF54)	45 - 46
105 mm deep tray (CF105)	47
30 mm deep tray (CF30)	48
80 mm (CF80) / 150 mm (CF150) deep tray	49 - 50
G-tray (CFG) / HDF 105 / TRIHDF	51 - 53
Mini tray (TXF35) / flexible tray (G-MINI)	54 - 55
Straight length dividers (COT / COT J) / bend dividers (COTFIL / COTFILU)	56 - 57
Covers (CP / CVN) / cover clips (F01/02/03)	58

COUPLERS AND FIXING KITS

Length to length couplers (EDRN / AUTOCLIC)	59 - 60
Joint strips (Z240 / ED250/90 / ED275 / ED1100)	61 - 62
Couplers (FASLOCK AUTO)	63
Base couplers (CEFAS / R15/25/35)	64 - 65
Channel fixing (FASTRUT 41)	66
Fixing kits and components	67

WALL MOUNTING

Base and side wire mounting (UC50 / CAT30 / CAT40 / CM50 / CM50XL)	68 - 71
Cantilever arms / mounting rails (CSN / CSNC / CB / CLN / CC21S / EDF / R41SP)	72 - 76
Stand-off brackets (R15/25/35/55)	77
Vertical mounting (FV1)	78
Fast fix support rails (RCSN)	79

CEILING MOUNTING

Central hangers (SF50/100 / SL50 / CEQ / UC50 / SAS / CE40 / CM50XL / SCF / PFSCF / UCS / RCSN)	80 - 85
Trapeze hangers (AS / RCSN / EDF)	86, 88 - 89
Profile mounting (CSNC)	87
Pendant mounting (PFREDF / EDF / R41SP / PFR41S)	90 - 91

FLOOR / BEAM / OTHER MOUNTING

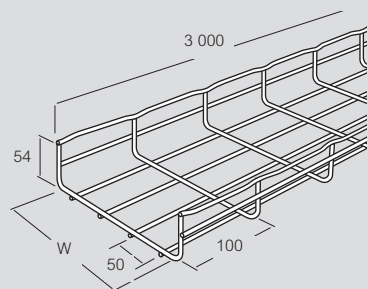
Floor mounting (CM50XL / RCSN / R15/25/35/50 / FTX / UC50 / UFC / CSN)	92 - 98
Beam mounting (CLMFAS / CLMU / EDF / EF)	99 - 101
Universal mounting plates (CM50 / CM50XL / CAT40 / CM50XXL)	102 - 103
Take-off plates (SBDN)	104
Luminaire supports (SL50/100)	105
Multifix base plates (MFM / MFPOLYA)	105
Cabling accessories (DEV100 / DEV 50 / FAS ROLLER / CABLOGRIP / CLIP / PA)	106 - 108
Earthing (BLF / SBU / GRIFEQUIP / GRIFEQUIP 2)	108 - 109

straight lengths - CF54

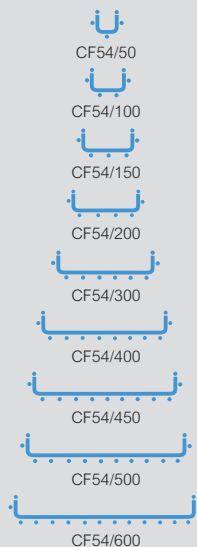
technical information

■ Dimensions and weights

54 mm 50 mm → 600 mm 3 m



Safety edge



	W mm	Weight (kg/3 m)				
		EZ	EZ+	GC	304L	316L
CF54/50	50	1.89	1.97	1.97	1.84	1.84
CF54/100	100	2.33	2.42	2.42	2.26	2.26
CF54/150	150	3.13	3.25	3.25	2.69	2.69
CF54/200	200	4.07	4.23	4.23	3.50	3.50
CF54/300	300	6.13	6.37	6.37	5.14	5.14
CF54/400	400	9.15	9.51	9.51	7.92	7.92
CF54/450	450	9.79	10.17	10.17	8.49	8.49
CF54/500	500	10.42	10.83	10.83	9.06	9.06
CF54/600	600	11.69	12.15	12.15	10.20	10.20

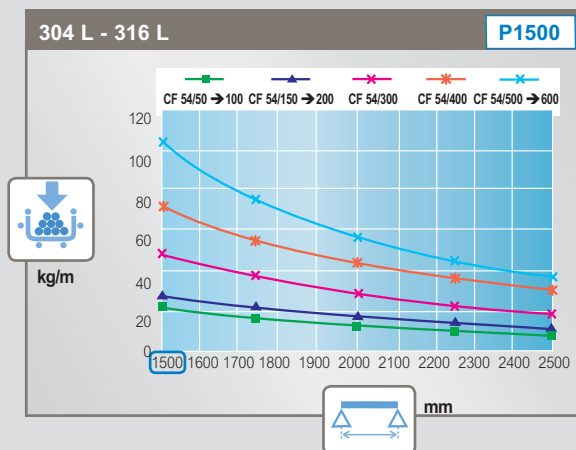
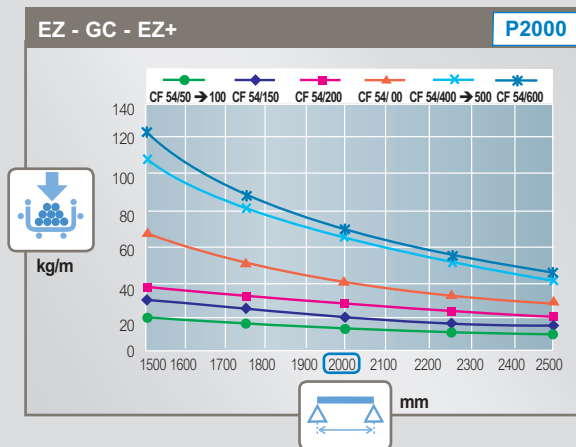
Please use Cat. No. when placing your order, see p. 11

All weights are given in Kilograms (kg) and are for a 3 m straight length

■ Loading graphs

The permissible load stated in this catalogue represents the load that Cablofil steel wire cable tray is guaranteed to be able to bear. It assumes loads are evenly spread and is given in daN/m. The standard permits a deflection equivalent to 1/100th of the span. Legrand imposes a stricter limit of 1/200th for both safety and aesthetic reasons. For example, Legrand voluntarily restricts deflection to 10 mm for a span of 2 m, whereas the standard would allow 20 mm

Load tests carried out to IEC 61537 (safety factor 1.7 + joint 1/5th of the way along the span). Permissible load should include all cable loads and any other additional loads (eg: wind, snow)



P2000 = supports at 2 000 mm, see p. 136 for more information

P1500 = supports at 1 500 mm, see p. 136 for more information

NOTE:

For more information on loadings, see p. 139

■ Finishes

Standard stocked finish :

EZ Electrogalvanised after manufacture

Additional finishes :

EZ+ Additional coating after electrogalvanisation (black)

GC Hot dip galvanised after manufacture

304L Stainless steel 304 L

316L Stainless steel 316 L

For detailed information related to finishes, refer to p. 132-133

→ Couplers : see p. 59-67

→ Dividers : see p. 56-57

Sheared steel (particularly stainless steel) does have relatively sharp edges and protective gloves must be worn during handling

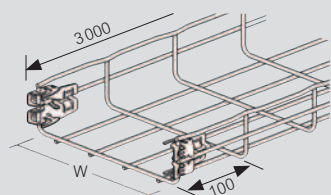
All dimensions (mm) are nominal

straight lengths - FCFA54 (FASCLIC AUTO)

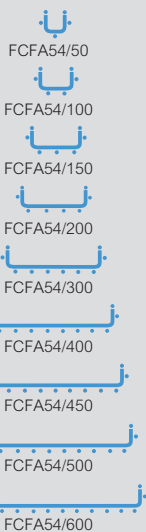
technical information

■ Dimensions and weights

54 mm → 50 mm → 600 mm → 3 m



Safety edge



	W mm	Weight (kg/3 m) EZ
FCFA54/50	50	1.97
FCFA54/100	100	2.40
FCFA54/150	150	3.20
FCFA54/200	200	4.15
FCFA54/300	300	6.23
FCFA54/400	400	9.26
FCFA54/450	450	9.89
FCFA54/500	500	9.89
FCFA54/600	600	10.53

Please use Cat. No. when placing your order, see p. 12

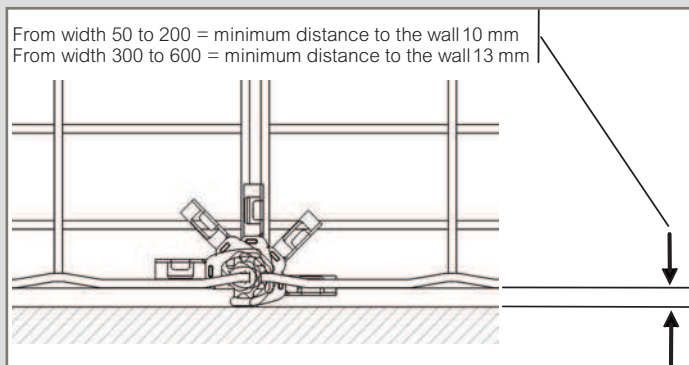
All weights are given in Kilograms (kg) and are for a 3 m straight length

■ Assembly



Unclip integral couplers from delivery position. Slide base plate (if applicable) to accept secondary length. Clip coupler and base to secure

For 300 - 600 mm wide tray, additional base plates are supplied to aid connection (1 x for 300 mm, 2 x for 400 - 500 mm and 3 x for 600 mm tray)



Fast assembling



Fixing without nuts and bolts



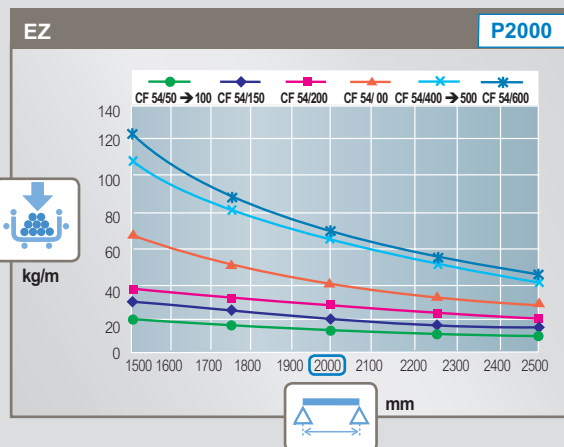
Sheared steel (particularly stainless steel) does have relatively sharp edges and protective gloves must be worn during handling

All dimensions (mm) are nominal

■ Loading graphs

The permissible load stated in this catalogue represents the load that Cablofil steel wire cable tray is guaranteed to be able to bear. It assumes loads are evenly spread and is given in daN/m. The standard permits a deflection equivalent to 1/100th of the span. Legrand imposes a stricter limit of 1/200th for both safety and aesthetic reasons. For example, Legrand voluntarily restricts deflection to 10 mm for a span of 2 m, whereas the standard would allow 20 mm

Load tests carried out to IEC 61537 (safety factor 1.7 + joint 1/5th of the way along the span). Permissible load should include all cable loads and any other additional loads (eg: wind, snow)



P2000 = supports at 2 000 mm, see p. 136 for more information

NOTE:

For more information on loadings, see p. 139

■ Finishes

Standard stocked finish :

EZ Electrogalvanised after manufacture

For detailed information related to finishes, refer to p. 132-133

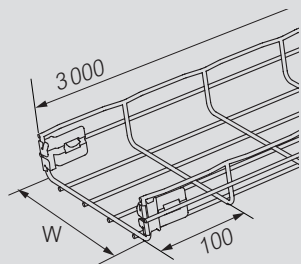
→ Dividers : see p. 56-57

straight lengths - FCF54 (FASCLIC)

technical information

■ Dimensions and weights

54 mm → 50 mm → 200 mm → 3 m



Safety edge

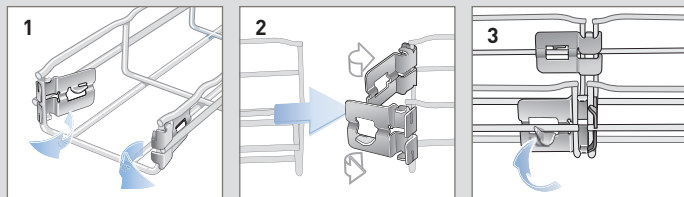
- FCF54/50
- FCF54/100
- FCF54/150
- FCF54/200

	W mm	Weight (kg/3 m)	
		304L	316L
FCF54/50	50	2.03	2.03
FCF54/100	100	2.46	2.46
FCF54/150	150	3.46	3.46
FCF54/200	200	4.02	4.02

Please use Cat. No. when placing your order, see p. 12

All weights are given in Kilograms (kg) and are for a 3 m straight length

■ Assembly



Unclip integral couplers from delivery position, offer secondary length and press couplers outwards. Bend tabs to secure using pliers
No additional fasteners required



Patented



Fast assembling

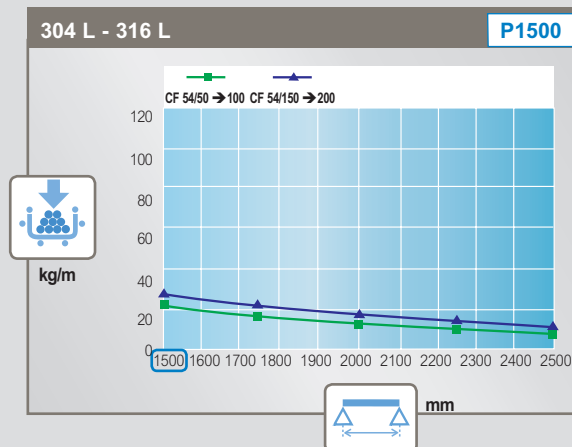


Fixing without nuts and bolts

■ Loading graphs

The permissible load stated in this catalogue represents the load that Cablofil steel wire cable tray is guaranteed to be able to bear. It assumes loads are evenly spread and is given in daN/m. The standard permits a deflection equivalent to 1/100th of the span. Legrand imposes a stricter limit of 1/200th for both safety and aesthetic reasons. For example, Legrand voluntarily restricts deflection to 10 mm for a span of 2 m, whereas the standard would allow 20 mm

Load tests carried out to IEC 61537 (safety factor 1.7 + joint 1/5th of the way along the span). Permissible load should include all cable loads and any other additional loads (eg: wind, snow)



P1500 = supports at 1 500 mm, see p. 136 for more information

NOTE:

For more information on loadings, see p. 139

■ Finishes

Available finishes :

304L Stainless steel 304 L

316L Stainless steel 316 L

For detailed information related to finishes, refer to p. 132-133

Sheared steel (particularly stainless steel) does have relatively sharp edges and protective gloves must be worn during handling

All dimensions (mm) are nominal

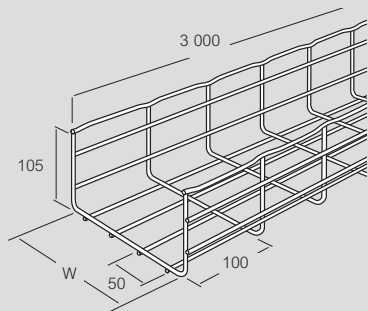
Dividers : see p. 56-57

straight lengths - CF105

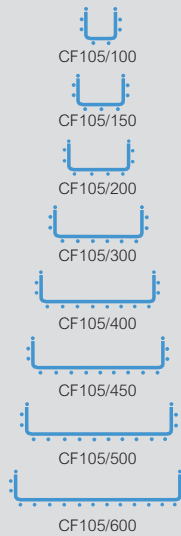
technical information

■ Dimensions and weights

105 mm 100 mm → 600 mm 3 m



Safety edge



	W mm	Weight (kg/3 m)			
		EZ	GC	304L	316L
CF105/100	100	4.07	4.23	3.50	3.50
CF105/150	150	5.23	5.43	3.97	3.97
CF105/200	200	6.13	6.37	5.14	5.14
CF105/300	300	9.15	9.51	7.92	7.92
CF105/400	400	10.42	10.83	9.06	9.06
CF105/450	450	11.25	11.40	9.45	9.45
CF105/500	500	11.69	12.15	9.63	9.63
CF105/600	600	12.96	13.46	10.20	10.20

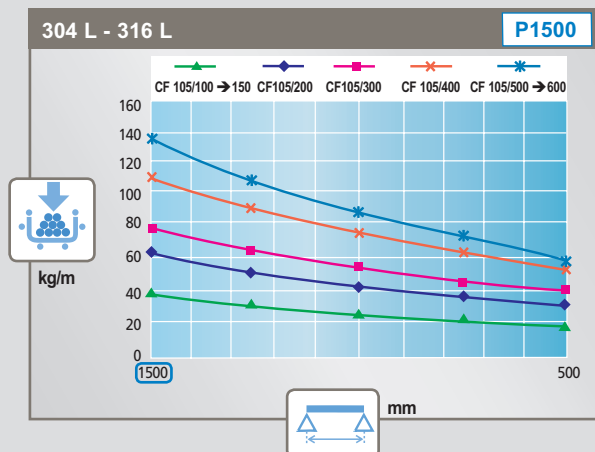
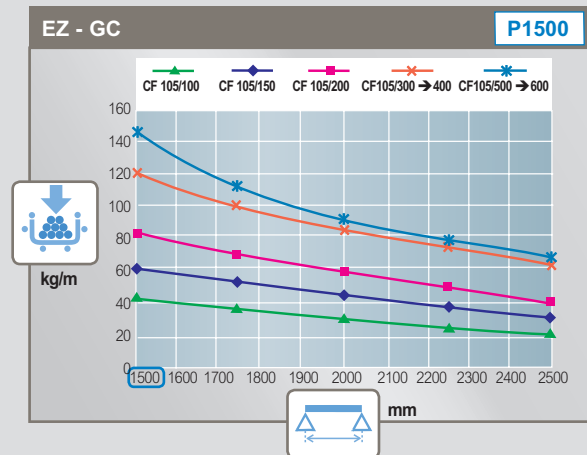
Please use Cat. No. when placing your order, see p. 13

All weights are given in Kilograms (kg) and are for a 3 m straight length

■ Loading graphs

The permissible load stated in this catalogue represents the load that Cablofil steel wire cable tray is guaranteed to be able to bear. It assumes loads are evenly spread and is given in daN/m. The standard permits a deflection equivalent to 1/100th of the span. Legrand imposes a stricter limit of 1/200th for both safety and aesthetic reasons. For example, Legrand voluntarily restricts deflection to 10 mm for a span of 2 m, whereas the standard would allow 20 mm

Load tests carried out to IEC 61537 (safety factor 1.7 + joint 1/5th of the way along the span). Permissible load should include all cable loads and any other additional loads (eg: wind, snow)



P1500 = supports at 1 500 mm, see p. 136 for more information

NOTE:

For more information on loadings, see p. 139

■ Finishes

Standard stocked finish :

EZ Electrogalvanised after manufacture

Additional finishes :

GC Hot dip galvanised after manufacture

304L Stainless steel 304 L

316L Stainless steel 316 L

For detailed information related to finishes, refer to p. 132-133

Sheared steel (particularly stainless steel) does have relatively sharp edges and protective gloves must be worn during handling

All dimensions (mm) are nominal

→ Couplers : see p. 59-67

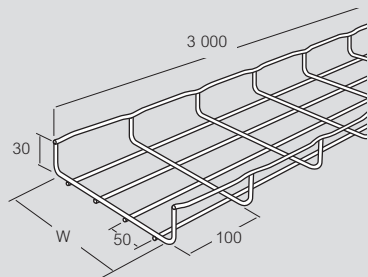
→ Dividers : see p. 56-57

straight lengths - CF30

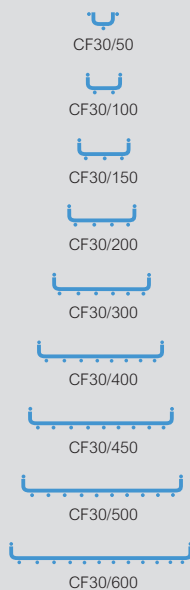
technical information

■ Dimensions and weights

30 mm 50 mm → 600 mm 3 m



Safety edge



	W mm	Weight (kg/3 m)			
		EZ	GC	304L	316L
CF30/50 ¹	50	1.19	1.23	1.15	1.15
CF30/100	100	1.61	1.67	1.56	1.56
CF30/150	150	2.05	2.13	1.99	1.99
CF30/200	200	2.84	2.95	2.76	2.76
CF30/300	300	4.39	4.56	4.09	4.09
CF30/400	400	6.85	-	-	-
CF30/450	450	7.33	-	-	-
CF30/500	500	7.82	-	-	-
CF30/600	600	8.78	-	-	-

1: No safety edge

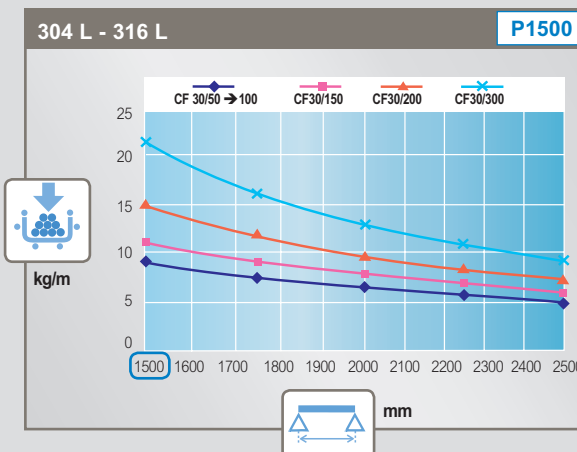
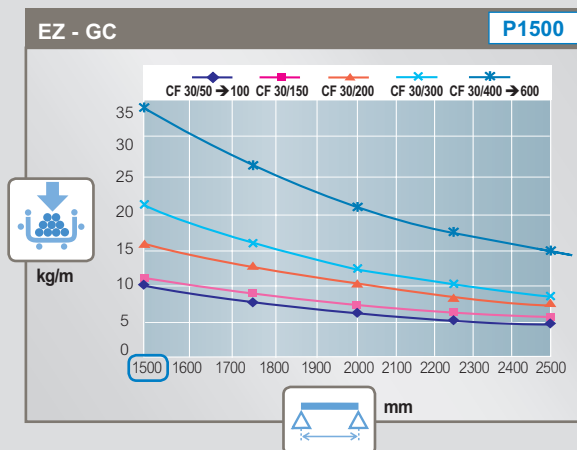
Please use Cat. No. when placing your order, see p. 13

All weights are given in Kilograms (kg) and are for a 3 m straight length

■ Loading graphs

The permissible load stated in this catalogue represents the load that Cablofil steel wire cable tray is guaranteed to be able to bear. It assumes loads are evenly spread and is given in daN/m. The standard permits a deflection equivalent to 1/100th of the span. Legrand imposes a stricter limit of 1/200th for both safety and aesthetic reasons. For example, Legrand voluntarily restricts deflection to 10 mm for a span of 2 m, whereas the standard would allow 20 mm

Load tests carried out to IEC 61537 (safety factor 1.7 + joint 1/5th of the way along the span). Permissible load should include all cable loads and any other additional loads (eg: wind, snow)



P1500 = supports at 1 500 mm, see p. 136 for more information

NOTE:

For more information on loadings, see p. 139

■ Finishes

Standard stocked finish :

EZ Electrogalvanised after manufacture

Additional finishes :

GC Hot dip galvanised after manufacture

304L Stainless steel 304 L

316L Stainless steel 316 L

For detailed information related to finishes, refer to p. 132-133

→ Couplers : see p. 59-67

→ Dividers : see p. 56-57

Sheared steel (particularly stainless steel) does have relatively sharp edges and protective gloves must be worn during handling

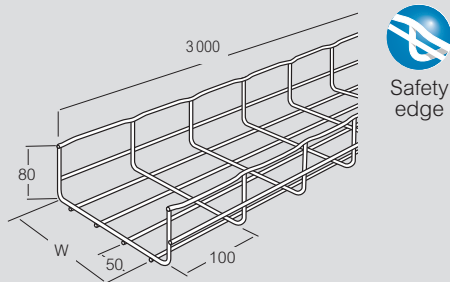
All dimensions (mm) are nominal

straight lengths - CF80

technical information

■ Dimensions and weights

80 mm 100 mm → 500 mm 3 m



	W mm	Weight (kg/3 m)	
		EZ	GC
CF80/100	100	2.84	2.95
CF80/200	200	4.39	4.56
CF80/300	300	6.85	7.12
CF80/400	400	7.82	8.12
CF80/500	500	8.78	9.12

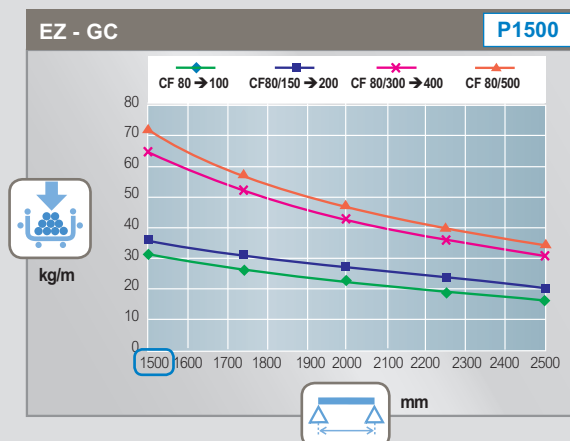
Please use Cat. No. when placing your order, see p. 14

All weights are given in Kilograms (kg) and are for a 3 m straight length

■ Loading graphs

The permissible load stated in this catalogue represents the load that Cablofil steel wire cable tray is guaranteed to be able to bear. It assumes loads are evenly spread and is given in daN/m. The standard permits a deflection equivalent to 1/100th of the span. Legrand imposes a stricter limit of 1/200th for both safety and aesthetic reasons. For example, Legrand voluntarily restricts deflection to 10 mm for a span of 2 m, whereas the standard would allow 20 mm.

Load tests carried out to IEC 61537 (safety factor 1.7 + joint 1/5th of the way along the span). Permissible load should include all cable loads and any other additional loads (eg: wind, snow)



P1500 = supports at 1 500 mm, see p. 136 for more information

NOTE:

For more information on loadings, see p. 139

■ Finishes

Available finishes :

EZ Electrogalvanised after manufacture

GC Hot dip galvanised after manufacture

For detailed information related to finishes, refer to p. 132-133



Sheared steel (particularly stainless steel) does have relatively sharp edges and protective gloves must be worn during handling

All dimensions (mm) are nominal

→ Couplers : see p. 59-67

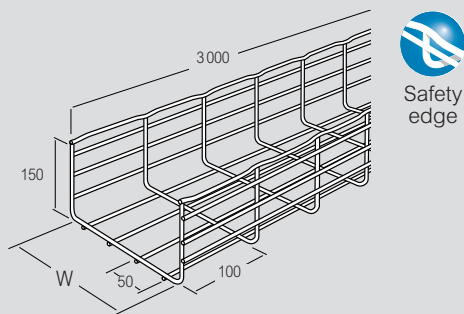
→ Dividers : see p. 56-57

straight lengths - CF150

technical information

■ Dimensions and weights

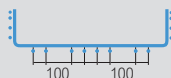
150 mm 200 mm → 900 mm 3 m



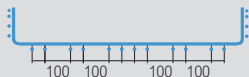
	W mm	Weight (kg/3 m)	
		EZ	GC
CF150/200	200	9.15	9.51
CF150/300	300	10.42	10.83
CF150/400	400	11.69	12.15
CF150/450	450	12.33	12.96
CF150/500	500	12.43	13.00
CF150/600 ¹	600	14.13	-
CF150/900 ¹	900	18.66	-

1 : No safety edge and base wires spaced at intervals of 50 mm and 100 mm for easy access (see below)

CF150/600



CF150/900



Please use Cat. No. when placing your order, see p. 14

All weights are given in Kilograms (kg) and are for a 3 m straight length

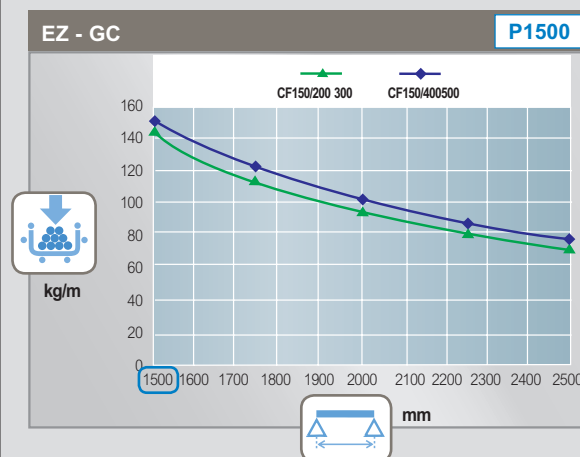
Sheared steel (particularly stainless steel) does have relatively sharp edges and protective gloves must be worn during handling

All dimensions (mm) are nominal

■ Loading graphs

The permissible load stated in this catalogue represents the load that Cablofil steel wire cable tray is guaranteed to be able to bear. It assumes loads are evenly spread and is given in daN/m. The standard permits a deflection equivalent to 1/100th of the span. Legrand imposes a stricter limit of 1/200th for both safety and aesthetic reasons. For example, Legrand voluntarily restricts deflection to 10 mm for a span of 2 m, whereas the standard would allow 20 mm.

Load tests carried out to IEC 61537 (safety factor 1.7 + joint 1/5th of the way along the span). Permissible load should include all cable loads and any other additional loads (eg: wind, snow)



P1500 = supports at 1 500 mm, see p. 136 for more information

NOTE:

For more information on loadings, see p. 139

For loading data for 600 mm and 900 mm widths please contact us on + 44 (0) 345 608 9020

■ Finishes

Available finishes :

EZ Electrogalvanised after manufacture

GC Hot dip galvanised after manufacture

For detailed information related to finishes, refer to p. 132-133

→ Couplers : see p. 59-67

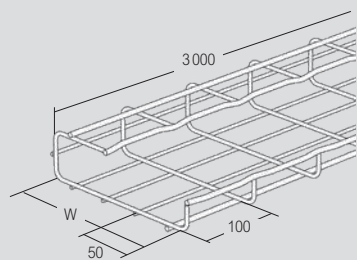
→ Dividers : see p. 56-57

straight lengths - CFG

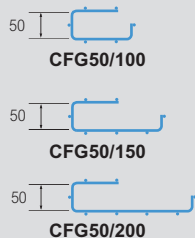
technical information

■ Dimensions and weights

50 mm → 100 mm → 200 mm → 3 m



Safety edge



	W mm	Weight (kg/3 m)	
		EZ	GC
CFG50/100	100	2.84	2.95
CFG50/150	150	3.32	3.45
CFG50/200	200	4.39	4.56

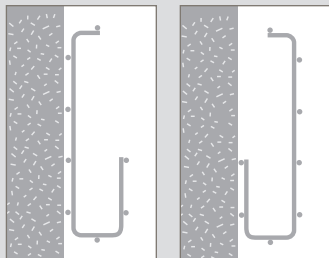
Please use Cat. No. when placing your order, see p. 14

All weights are given in Kilograms (kg) and are for a 3 m straight length

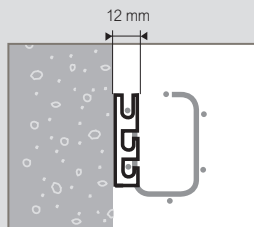
■ Installation



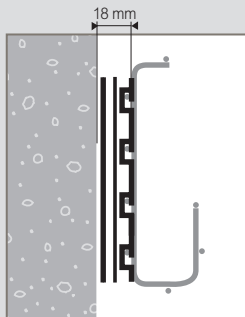
Ceiling mounted
Use CE40 (see p. 83) and fasteners
(not supplied)



Wall mounted either
by base or by G section
Use CE40 (see p.83) and
fasteners (not supplied)



Wall mounted using
CM50XL universal
mounting plate
See p. 71



Wall mounted using
RCSN fast fit support rail
See p. 79

All dimensions (mm) are nominal

■ Finishes

Available finishes :

EZ Electrogalvanised after manufacture

GC Hot dip galvanised after manufacture

For detailed information related to finishes, refer to p. 132-133



Sheared steel (particularly stainless steel) does have relatively sharp edges and protective gloves must be worn during handling



Couplers : see p. 59-67



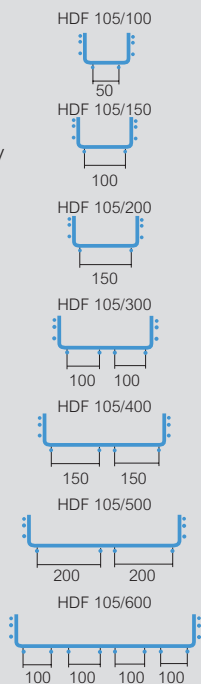
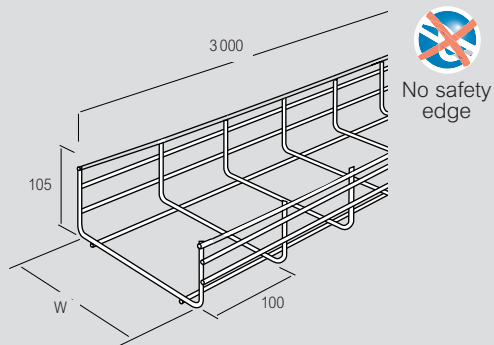
Dividers : see p. 56-57

straight lengths - HDF105

technical information

■ Dimensions and weights

105 mm 100 mm → 600 mm 3 m



	W mm	Weight (kg/3 m)		
		EZ	GC	316L
HDF105/100	100	7.43	7.71	7.21
HDF105/150	150	7.77	8.07	7.54
HDF105/200	200	8.11	8.43	7.88
HDF105/300	300	11.50	11.95	11.16
HDF105/400	400	13.72	14.25	13.32
HDF105/500	500	14.66	15.22	14.23
HDF105/600	600	17.07	17.73	16.57

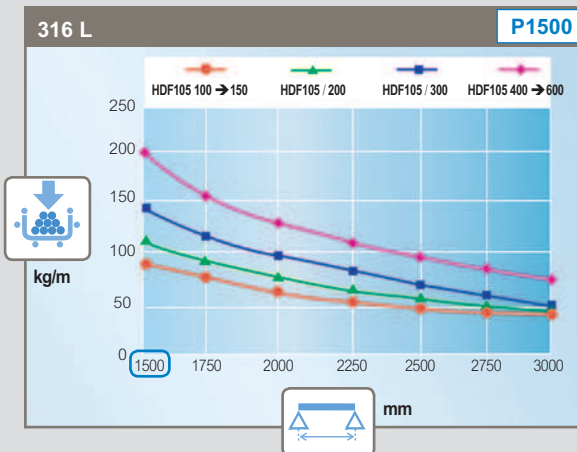
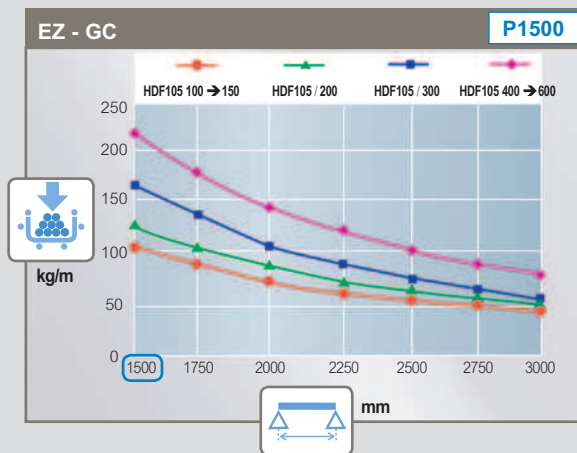
Please use Cat. No. when placing your order, see p. 15

All weights are given in Kilograms (kg) and are for a 3 m straight length

■ Loading graphs

The permissible load stated in this catalogue represents the load that Cablofil steel wire cable tray is guaranteed to be able to bear. It assumes loads are evenly spread and is given in daN/m. The standard permits a deflection equivalent to 1/100th of the span. Legrand imposes a stricter limit of 1/200th for both safety and aesthetic reasons. For example, Legrand voluntarily restricts deflection to 10 mm for a span of 2 m, whereas the standard would allow 20 mm

Load tests carried out to IEC 61537 (safety factor 1.7 + joint 1/5th of the way along the span). Permissible load should include all cable loads and any other additional loads (eg: wind, snow)



P1500 = supports at 1 500 mm, see p. 136 for more information

NOTE:

For more information on loadings, see p. 139

■ Finishes

Available finishes :

- EZ** Electrogalvanised after manufacture
- GC** Hot dip galvanised after manufacture
- 316L** Stainless steel 316 L

For detailed information related to finishes, refer to p. 132-133

Sheared steel (particularly stainless steel) does have relatively sharp edges and protective gloves must be worn during handling

All dimensions (mm) are nominal

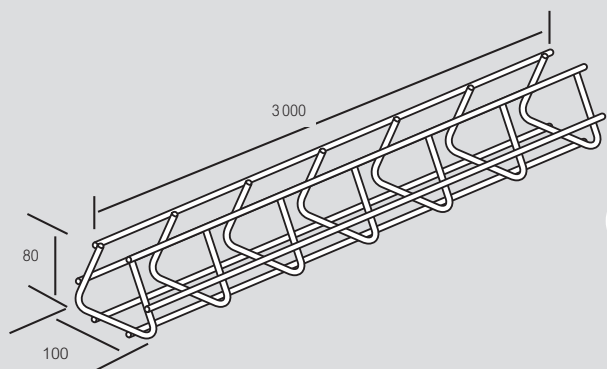
Couplers : see p. 59-67

straight lengths - TRIHDF

technical information

■ Dimensions and weights

80 mm 100 mm 3 m



No safety edge

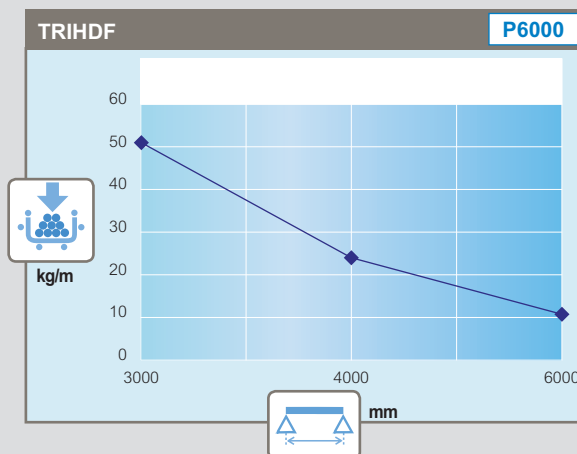
	W mm	Weight (kg/3 m) GC
TRIHDF	100	5-98

Please use Cat. No. when placing your order, see p. 15

All weights are given in Kilograms (kg) and are for a 3 m straight length

■ Loading graph

The permissible load stated in this catalogue represents the load that Cablofil steel wire cable tray is guaranteed to be able to bear. It assumes loads are evenly spread and is given in daN/m. The standard permits a deflection equivalent to 1/100th of the span. Legrand imposes a stricter limit of 1/200th for both safety and aesthetic reasons. For example, Legrand voluntarily restricts deflection to 10 mm for a span of 2 m, whereas the standard would allow 20 mm. Load tests carried out to IEC 61537 (safety factor 1.7 + joint 1/5th of the way along the span). Permissible load should include all cable loads and any other additional loads (eg: wind, snow)



P6000 = supports at 6 000 mm, see p. 136 for more information

NOTE:

For more information on loadings, see p. 139

■ Finishes

Available finish :

GC Hot dip galvanised after manufacture

For detailed information related to finishes, refer to p. 132-133



Sheared steel (particularly stainless steel) does have relatively sharp edges and protective gloves must be worn during handling

All dimensions (mm) are nominal

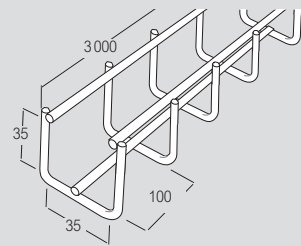
→ Couplers : see p. 59-67

mini steel wire cable tray – TXF35

technical information

■ Dimensions and weights

↓ 35 mm ↔ 35 mm ⇔ 3 m



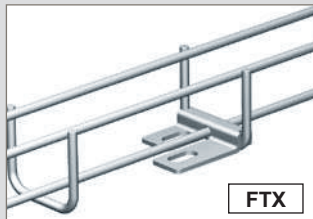
No safety edge

TXF35	Weight (kg/3 m)			
	EZ	GC	304L	316L
	1.50	1.80	1.40	1.40

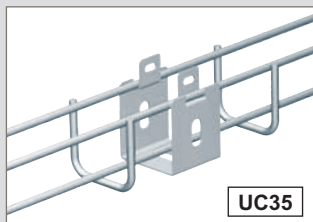
Please use Cat. No. when placing your order, see p. 16

All weights are given in Kilograms (kg) and are for a 3 m straight length

■ Installation

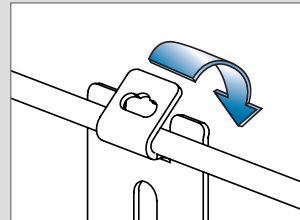


Use FTX and fasteners (not supplied) to secure TXF35 steel wire cable tray to the floor

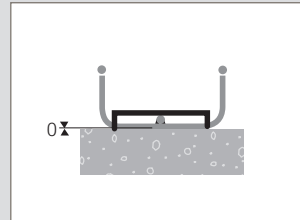
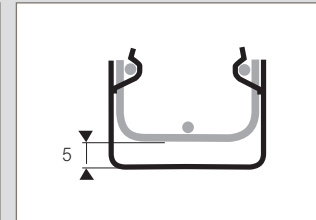


Use UC35 and fasteners to secure TXF35 steel wire cable tray to the wall or floor

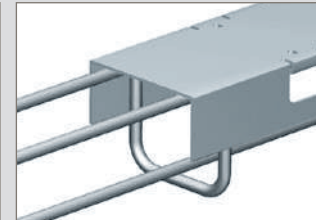
■ Assembly



Bend tabs with pliers to secure to steel wire cable tray



Clip FTX over base wire of the tray and secure to floor using fasteners (not supplied)



CP35 covers, (see p. 16) simply clip into place



Fast assembling



Fixing without nuts and bolts

■ Finishes

Standard stocked finish :

EZ Electrogalvanised after manufacture

Additional finishes :

GC Hot dip galvanised after manufacture

304L Stainless steel 304 L

316L Stainless steel 316 L

For detailed information related to finishes, refer to **p. 132-133**



Sheared steel (particularly stainless steel) does have relatively sharp edges and protective gloves must be worn during handling

All dimensions (mm) are nominal

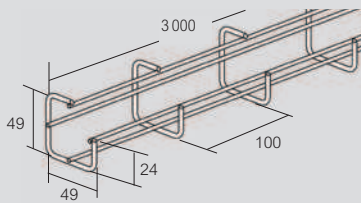
→ Fixing kits : see p. 67

flexible steel wire cable tray – G-MINI

technical information

■ Dimensions and weights

50 mm 50 mm 3 m



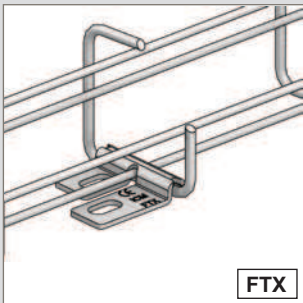
No safety edge

G-MINI	Weight (kg/3 m)	
	EZ	316L
	1.20	1.15

Please use Cat. No. when placing your order, see p. 16

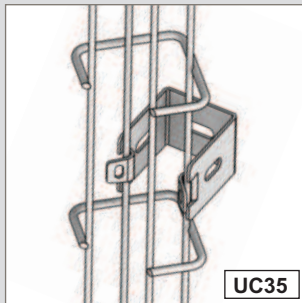
All weights are given in Kilograms (kg) and are for a 3 m straight length

■ Installation



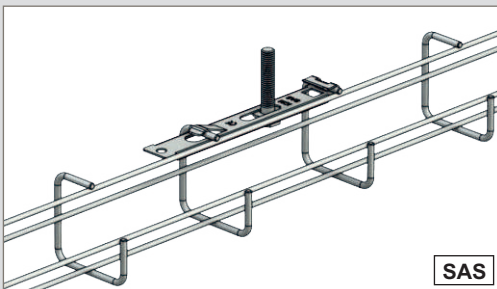
FTX

Use FTX and fasteners (not supplied) to secure G-MINI steel wire cable tray to the wall or floor



UC35

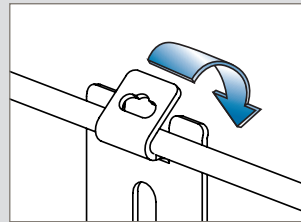
Use UC35 and fasteners (not supplied) to secure G-MINI steel wire cable tray to the wall or floor



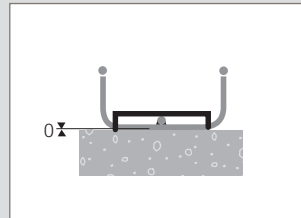
SAS

Use SAS with threaded rod and fasteners (not supplied) to suspend G-MINI from the ceiling

■ Assembly



Bend tabs with pliers to secure to steel wire cable tray



Clip FTX over base wire of the tray and secure to floor using fasteners (not supplied)

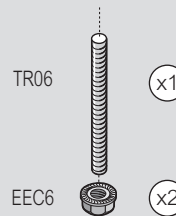


Fast assembling



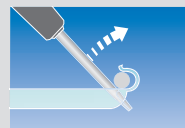
Fixing without nuts and bolts

Suspending SAS from ceiling



Use TR06 (M6 x 3m) threaded rod and 2 x EEC6 (6mm) hex nuts (not supplied) to suspend SAS from ceiling

Securing SAS to steel wire cable tray



Fast assembling



Fixing without nuts and bolts

Top wires of the tray fix into hanger tabs. No additional fixings required to secure tray to SAS hanger. Use blade of screwdriver to click SAS firmly into place

■ Finishes

Standard stocked finish :

EZ Electrogalvanised after manufacture

Additional finishes :

316L Stainless steel 316 L

For detailed information related to finishes, refer to p. 132-133



Sheared steel (particularly stainless steel) does have relatively sharp edges and protective gloves must be worn during handling

All dimensions (mm) are nominal

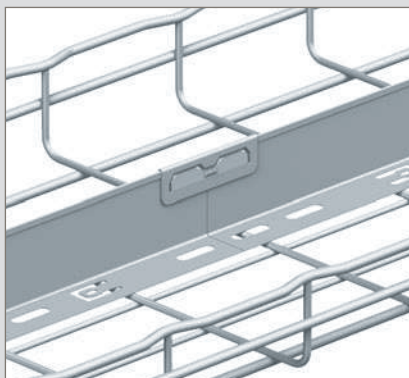
→ Fixing kits : see p. 67

straight length dividers – COT / COT J

technical information

■ COT – dividers COTJ – divider connectors

■ Installation



Use COT dividers and COTJ divider connectors along the tray length to separate cable runs

■ Assembly



Fold tab in base to secure to the base of the tray length
COTJ dividers clip into place over the joint of two dividers



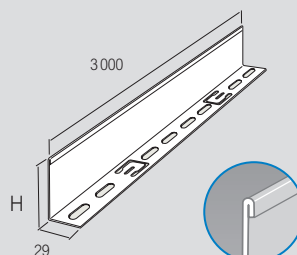
Fast assembling



Fixing without nuts and bolts

■ Dimensions and weights

COT $\downarrow \uparrow$ 30 mm \rightarrow 105 mm $\leftarrow \rightarrow$ 100 mm \rightarrow 600 mm \rightleftarrows 3 m



COT dividers have a return safety edge

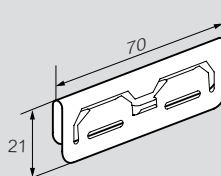


	H mm	Weight (kg/3 m)		
		GS	GC	316L
COT30	24	0.3	0.3	0.3
COT50	48	0.5	0.5	0.5
COT75	72	0.7	0.7	–
COT100	96	0.9	0.9	0.9

Please use Cat. No. when placing your order, see p. 17

All weights are given in Kilograms (kg) and are for a 3 m straight length

COTJ $\downarrow \uparrow$ 30 mm \rightarrow 105 mm $\leftarrow \rightarrow$ 100 mm \rightarrow 600 mm



	Weight (kg)	
	GS	316L
COT J	0.1	0.1

Please use Cat. No. when placing your order, see p. 17

All weights are given in Kilograms (kg) and are per unit (each)



Sheared steel (particularly stainless steel) does have relatively sharp edges and protective gloves must be worn during handling

→ Straight lengths : see p. 44-55

Key: **GS** Pre-galvanised **316L** Stainless steel 316 L
GC Hot dip galvanised after manufacture

For detailed information related to finishes, refer to **p. 132-133**

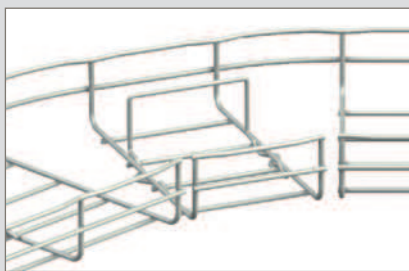
All dimensions (mm) are nominal

bend dividers – COTFIL

technical information

■ COTFIL – bend dividers

■ Installation



Use COTFIL dividers on fabricated bends to separate cable runs

■ Assembly



Clip COTFIL dividers into place by inserting the end under the base wires of the tray



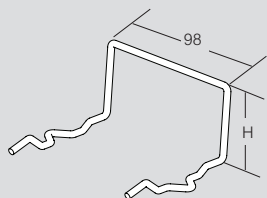
Fast assembling



Fixing without nuts and bolts

■ Dimensions and weights

30 mm → 105 mm 100 mm → 600 mm



CF30 COTFIL30



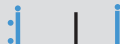
CF54 COTFIL50



CF80 COTFIL75



CF105 COTFIL100



	H mm	Weight (kg)	
		GS	304L
COTFIL30	24	0.05	0.05
COTFIL50	44	0.05	0.05
COTFIL75	71	0.05	0.05
COTFIL100	94	0.05	0.05

Please use Cat. No. when placing your order, see p. 17

All weights are given in Kilograms (kg) and are for a 3 m straight length

Key: **GS** Pre-galvanised

304L Stainless steel 304 L

For detailed information related to finishes, refer to p. 132-133

All dimensions (mm) are nominal

→ How to fabricate bends : see p. 114-117

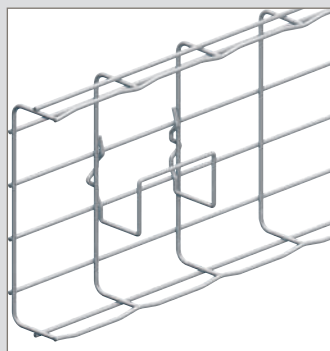
→ For CF 54 straight lengths : see p. 44

cable guide – COTFILU

technical information

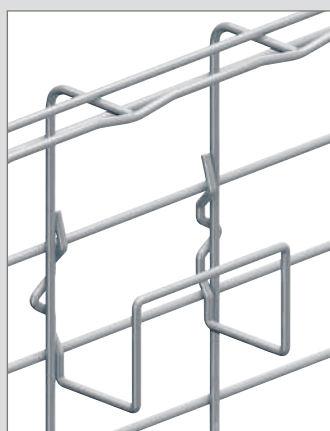
■ COTFILU – cable guide

■ Installation



Use COTFILU cable guide to provide cable support when 54 mm high cable tray is mounted vertically, running horizontally

■ Assembly



Clip COTFILU cable guide into place by inserting the end under the base wires of the tray



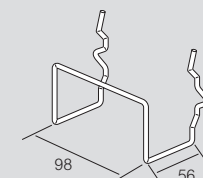
Fast assembling



Fixing without nuts and bolts

■ Dimensions and weights

54 mm 150 mm → 600 mm



	Weight (kg)	
	GS	304L
COTFIL U	0.05	0.05

Please use Cat. No. when placing your order, see p. 17

All weights are given in Kilograms (kg)

Key: **GS** Pre-galvanised

304L Stainless steel 304 L

For detailed information related to finishes, refer to p. 132-133

All dimensions (mm) are nominal

→ How to fabricate bends : see p. 114-117

→ For CF 54 straight lengths : see p. 44

covers and cover clips – CP - CVN - F01 - F02 - F03

technical information

- CP – covers (2 m length)
- CVN – covers (1 m length)
- F01 / F02 / F03 – cover clips

CP - covers

Supplied singly in a 2 m length, CP covers are available for 50 mm to 600 mm wide steel wire cable tray in 30 mm to 105 mm depths

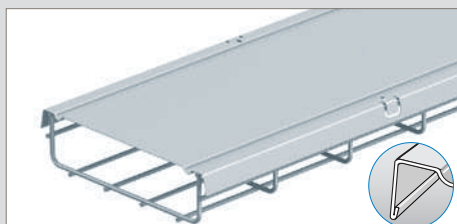
CVN - covers

Supplied in packs of 3 x 1 m lengths, CVN covers are available for 50 mm to 600 mm wide steel wire cable tray in 30 mm to 150 mm depths

F01 / F02 / F03 - cover clips

Supplied in packs of 25, F01 clips are used with 30 mm deep tray; F02 clips are used with 54 mm, 105 mm and 150 mm deep tray and F03 clips are used with 80 mm deep tray. Clips can be used with both CVN and CP covers

Installation



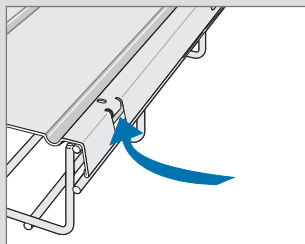
CP and CVN covers can be fitted directly with integral tabs or alternatively with optional cover clips



Use optional cover clips to secure covers

Assembly

Securing CP / CVN covers to steel wire cable tray

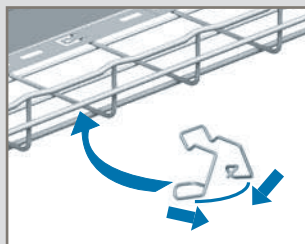


Fast assembling



Fixing without nuts and bolts

Securing F01/F02/F03 cover clips to CVN / CP covers

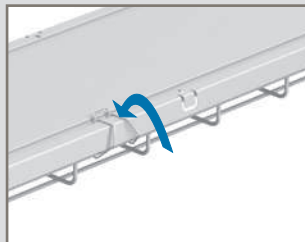


Fast assembling



Fixing without nuts and bolts

Squeeze clips at base and apply to underside of tray for F01 or side wire of tray for F02 and F03



Fix the top of the clip into the groove along the edge of the lid to secure

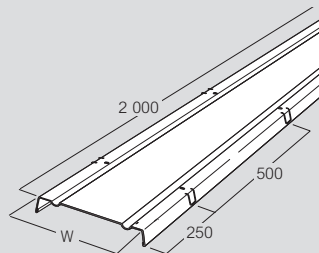
Key:	GS Pre-galvanised	316L Stainless steel 316 L
	EZ+ Additional coating after electrogalvanisation (black)	
	GC Hot dip galvanised after manufacture	For detailed information related to finishes, refer to p. 132-133

All dimensions (mm) are nominal

→ Straight lengths : see p. 44-55

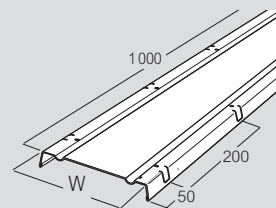
Dimensions and weights

CP - $\downarrow \uparrow$ 30 → 150 mm $\leftarrow \rightarrow$ 50 → 600 mm \rightleftharpoons 2 m



	W mm	Weight (kg)			
		GS	EZ+	GC	316L
CP50	71	1.21	1.26	1.31	1.21
CP100	121	1.68	1.76	1.82	1.68
CP150	171	2.15	2.25	2.33	2.15
CP200	221	2.62	2.75	2.84	2.62
CP300	322	3.57	3.75	3.87	3.57
CP400	425	5.68	6.78	6.56	6.05
CP450	475	6.95	–	7.40	6.90
CP500	525	6.85	8.19	7.92	7.31
CP600	625	8.03	9.59	9.28	8.57

CVN - $\downarrow \uparrow$ 30 - 150 mm $\leftarrow \rightarrow$ 50 → 600 mm \rightleftharpoons 1 m

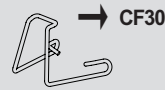


	W mm	Weight (kg) ¹		
		GS	GC	316L
CVN50	71	1.80	1.95	1.81
CVN100	121	2.52	2.73	2.52
CVN150	171	3.21	3.48	3.21
CVN200	221	3.93	4.26	3.90
CVN300	322	5.37	5.79	–
CVN400	425	8.52	9.84	–
CVN450	475	9.39	10.86	–
CVN500	525	10.29	11.88	–
CVN600	625	12.06	13.92	–

1 : Weight per pack of 3 x 1 m lengths

F01/F02/F03 - $\downarrow \uparrow$ 30 → 105 mm $\leftarrow \rightarrow$ 50 → 600 mm

F01



F02



F03



	Weight (kg)
	GS
F01/2/3	0.1

Please use Cat. No. when placing your order, see p. 18-19

All weights are given in Kilograms (kg) and are per unit (each)

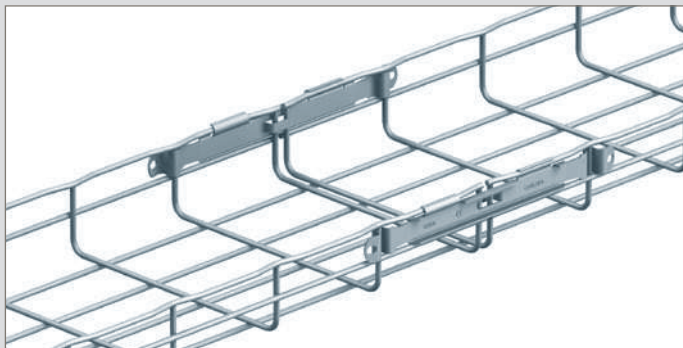
couplers – length to length

EDRN

EDRN – couplers

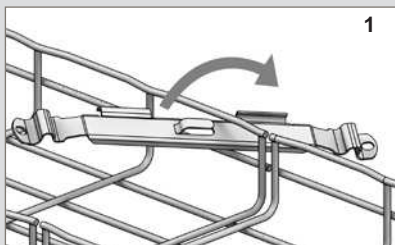
EDRN couplers are supplied with one fixing tool in each pack of 50 couplers. No additional fasteners or tools required

Installation

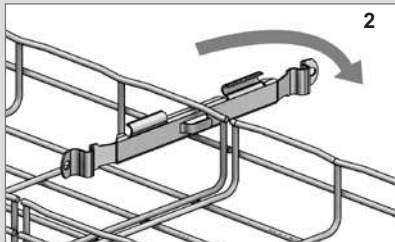


EDRN couplers are used in pairs across the side rail joint of two lengths of tray as shown

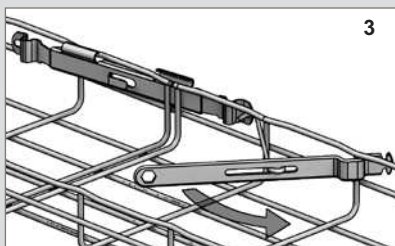
Assembly



1. Position coupler as indicated



2. Twist coupler into place



3. Use fixing tool (supplied) to pull coupler into place



Fast assembling



Fixing without nuts and bolts

Assembly (continued)

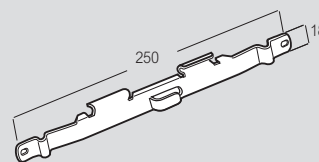
The table below indicates the recommended quantity of EDRN couplers required per width of steel wire cable tray
Note: for base coupling, CEFAS (p. 64) can be used as an alternative to EDRN couplers

A → ← A = side coupling B = base coupling

↔ →	50		100		150		200		300		400 → 500		600	
	A	B	A	B	A	B	A	B	A	B	A	B	A	B
CF30	2	0	2	0	2	0	2	1	2	1	2	2	2	3
CF54	2	0	2	0	2	0	2	0	2	1	2	2	2	3
CF80	-	-	2	1	-	-	2	2	2	2	2	3	2	3
CF105	-	-	2	1	2	1	2	2	2	3	2	3	2	3
CF150	-	-	-	-	-	-	2	2	2	3	2	3	2	3

Dimensions and weights

↕ 30 → 150 mm ↔ 50 → 600 mm



EDRN	Weight (kg)		
	EZ	EZ+	DC
EDRN	0.07	0.07	0.07

Please use Cat. No. when placing your order, see p. 20

All weights are given in Kilograms (kg)

Key: EZ	Electrogalvanised after manufacture	DC	Zinc rich coating
EZ+	Additional coating after electrogalvanisation (black)		

For detailed information related to finishes, refer to p. 132-133

All dimensions (mm) are nominal

→ Straight lengths : see p. 44-55

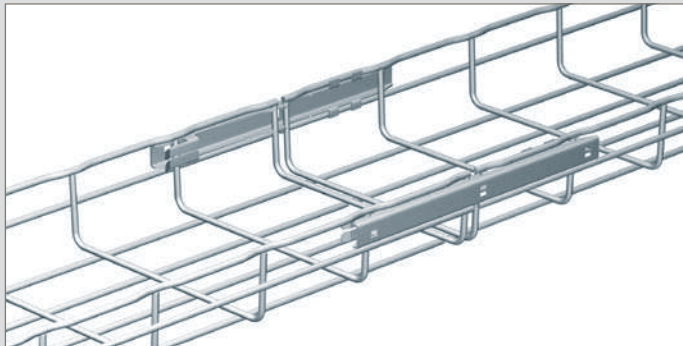
couplers – length to length

AUTOCLIC

■ AUTOCLIC – couplers

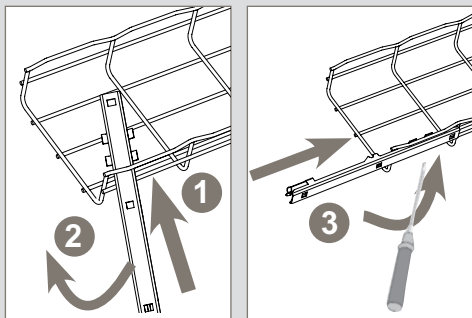
AUTOCLIC couplers are supplied in packs of 50. Rapid fit with screwdriver. No additional fasteners required

■ Installation

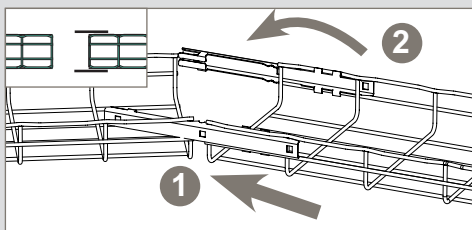


AUTOCLIC couplers are used in pairs across the side rail joint of two lengths of tray as shown

■ Assembly

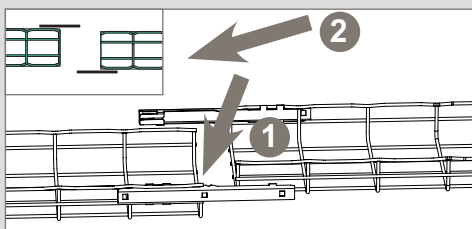


1. Insert coupler
2. Twist into position
3. Pull into place with screwdriver (not supplied)



Fit Autoclic to both sides of one length of tray and insert into second length as shown

OR



Fit Autoclic in an offset pattern on alternate ends of each length



Fast assembling



Fixing without nuts and bolts

→ Straight lengths : see p. 44-55

■ Assembly (continued)

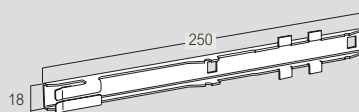
The table below indicates the recommended quantity of AUTOCLIC couplers required per width of steel wire cable tray
 Note: wider widths need the addition of either CEFAS (p. 64) or KITASSTR (p. 67) to provide additional support to the base

A → ← A = side coupling B = base coupling

Tray	50		100		150 / 200		300		400 → 500		600	
	A	B	A	B	A	B	A	B	A	B	A	B
CF54	2	0	2	0	2	0	2	1	2	2	2	3
CF105	-	-	2	0	2	1	2	2	⊖	⊖	⊖	⊖

■ Dimensions and weights

Height: 54 / 105 mm Length: 50 → 600 mm



Coupler	Weight (kg)			
	GS	GC	304L	316L
AUTOCLIC	0-09	0-10	0-10	0-10

Please use Cat. No. when placing your order, see p. 20

All weights are given in Kilograms (kg)

Key: GS	Pre-galvanised	304L	Stainless steel 304 L
GC	Hot dip galvanised after manufacture	316L	Stainless steel 316 L

For detailed information related to finishes, refer to p. 132-133

All dimensions (mm) are nominal

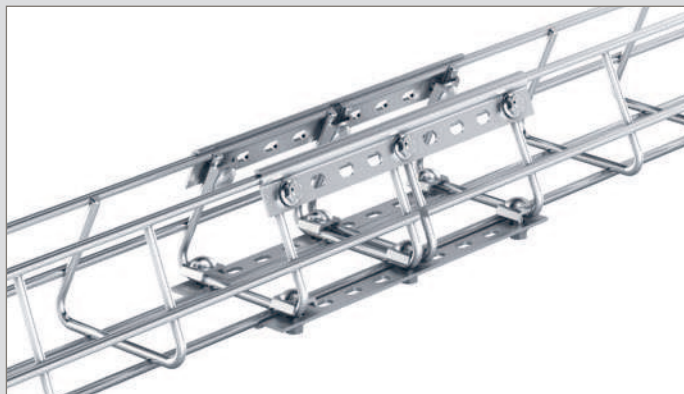
joint strips – length to length coupling

Z240

■ Z240 – joint strips

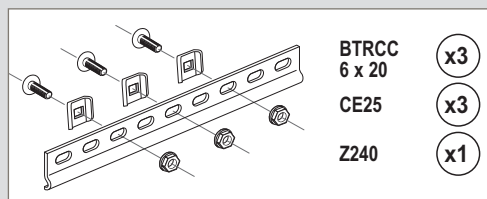
Use to provide additional support for length to length coupling of TRIHDF only
Fasteners are required to secure joint strips to the tray (see below)
Z240 supplied in packs of 50 without fasteners

■ Installation



Joint strips attach to the side wire and base of the tray across the joint
Fasteners required (not supplied)

■ Assembly



The table below indicates the recommended quantity of Z240 joint strips required to couple straight lengths together

Side coupling



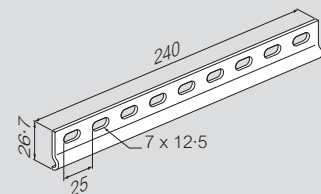
Base coupling



	A	B
TRIHDF	2	2

■ Dimensions and weights

↓ 80 mm ← 100 mm (for TRIHDF tray only)



	L mm	Weight (kg) GC
Z240	240	0.11

Please use Cat. No. when placing your order, see p. 20

All weights are given in Kilograms (kg)

Key: **GC** Hot dip galvanised after manufacture

For detailed information related to finishes, refer to p. 132-133

All dimensions (mm) are nominal

→ For TRIHDF straight lengths : see p. 53

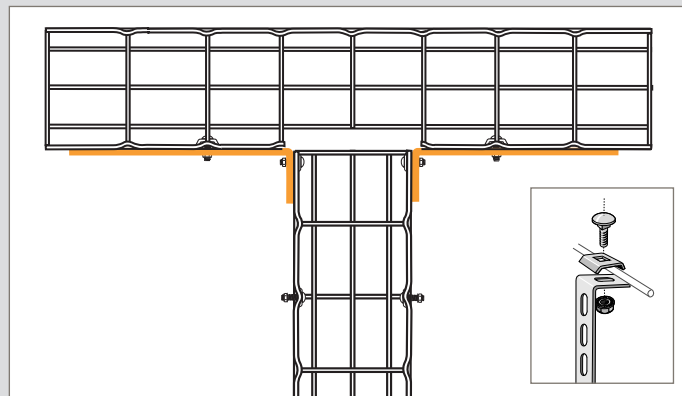
joint strips – right angle coupling

ED250/90

■ ED250/90 – joint strips

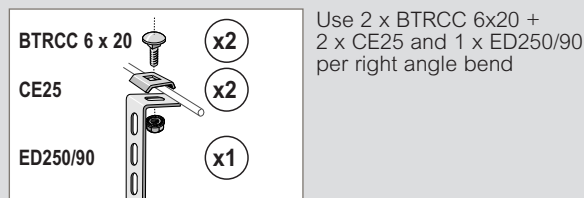
Use for onsite fabrication of tees or crossovers at right angles
Fasteners are required to secure joint strips to the tray (see below)

■ Installation



Joint strips attach to the side wire of the tray across the joint
Fasteners required (not supplied)

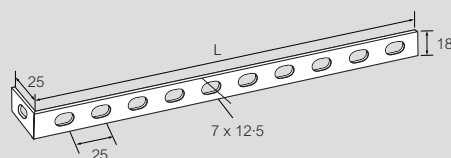
■ Assembly



Use 2 x BTRCC 6x20 +
2 x CE25 and 1 x ED250/90
per right angle bend

■ Dimensions and weights

↓ 30 → 150 mm ← 50 → 600 mm



	L mm	Weight (kg)		
		EZ	GC	316L
ED250/90	250	0.08	0.10	0.08

Please use Cat. No. when placing your order, see p. 20

All weights are given in Kilograms (kg)

Key: **EZ** Electrogalvanised after manufacture **316L** Stainless steel 316 L
GC Hot dip galvanised after manufacture

For detailed information related to finishes, refer to p. 132-133

All dimensions (mm) are nominal

→ Straight lengths : see p. 44-55

→ Creating a tee : see p. 122-125

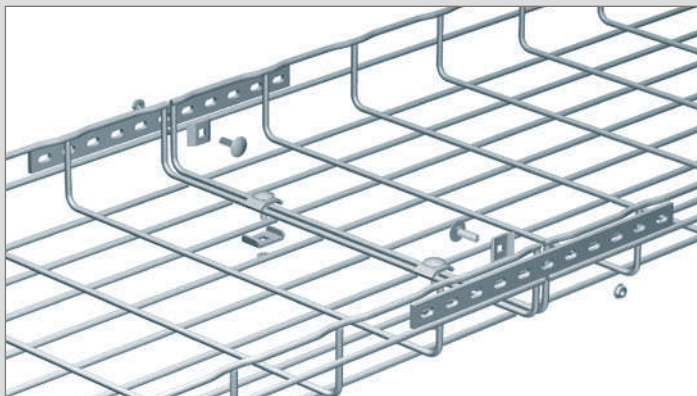
joint strips – length to length coupling

ED275 - ED1100

ED275 – joint strips ED1100 – joint strips

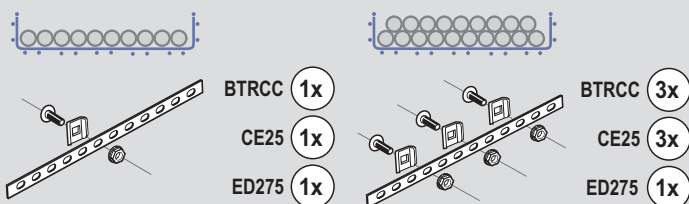
Use to provide additional support for length to length coupling
Fasteners are required to secure joint strips to the tray (see below)
ED275 supplied in packs of 50 without fasteners
ED1100 supplied singly without fasteners

Installation



Joint strips attach to the side wire of the tray across the joint when used as a length to length coupler. Fasteners required (not supplied)

Assembly



For lighter loads, use a single fastener

For heavier loads, increase the number of fasteners

The table below indicates the recommended quantity of ED275/ED1100 joint strips per width and also KITASSTR (p. 67) as a base coupler

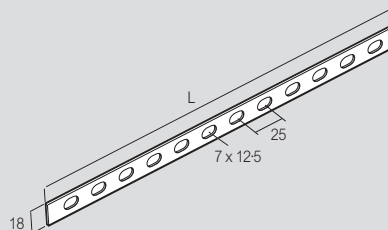
A → ← A = side coupling B = base coupling (KITASSTR)

↔	50		100		150		200		300		400 - 450 / 500		600	
	A	B	A	B	A	B	A	B	A	B	A	B	A	B
CF30	2	0	2	0	2	0	2	1	2	1	2	2	2	3
CF54	2	0	2	0	2	0	2	0	2	1	2	2	2	3
CF80	–	–	1	1	–	–	2	1	2	2	2	3	–	–
CF105	–	–	2	1	2	1	2	1	2	2	2	3	2	3
CF150	–	–	–	–	–	–	2	2	2	2	2	3	2	3
CFG	–	–	2	1	2	1	2	1	–	–	–	–	–	–
HDF105	–	–	2	1	2	1	2	1	2	2	2	3	2	3

→ Straight lengths : see p. 44-55

Dimensions and weights

↔ 30 → 150 mm ↔ 50 → 600 mm



	L mm	Weight (kg)			
		EZ	GC	304L	316L
ED275	275	0.08	0.10	0.08	0.08
ED1100	1 100	0.49	0.55	–	0.38

Please use Cat. No. when placing your order, see p. 20

All weights are given in Kilograms (kg)

Key: EZ Electrogalvanised after manufacture 304L Stainless steel 304 L
GC Hot dip galvanised after manufacture 316L Stainless steel 316 L

For detailed information related to finishes, refer to p. 132-133

All dimensions (mm) are nominal

couplers – fabricated fittings

FASLOCK AUTO

■ FASLOCK AUTO – couplers

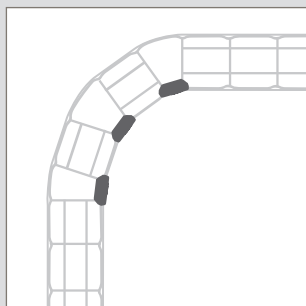
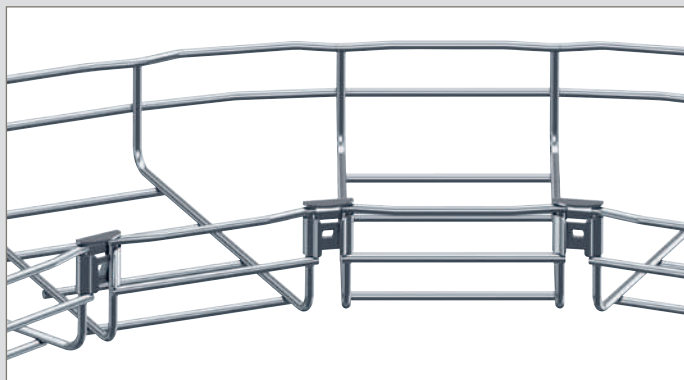
FASLOCK AUTO is used to form radius bends

- For 100 mm and 200 mm wide steel wire cable tray use FASLOCK AUTO S (small)
- For 300 mm wide to 600 mm wide tray use FASLOCK AUTO XL (large)

Supplied in packs of 25. No additional fasteners or tools required

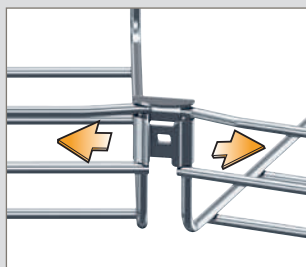
For detailed installation instructions see p.113-115

■ Installation



FASLOCK AUTO is positioned on the internal angle of a radius bend after steel wire cable tray has been cut
No fasteners required

■ Assembly



Clip FASLOCK AUTO into place
Safety edges protect both the cables and the installer



Patented



Fast assembling



Fixing without nuts and bolts

→ Creating a radius bend : see p. 114-117

→ Installing FASLOCK AUTO : see p. 113-115

■ Dimensions and weights

↕ 30 / 54 / 105 mm ↻ 100 → 600 mm



	Weight (kg)			
	EZ	ZN+	DC	316L
FASLOCK AUTO S	0-01	0-01	0-01	0-01
FASLOCK AUTO XL	0-01	0-01	0-01	0-01

Please use Cat. No. when placing your order, see p. 21

All weights are given in Kilograms (kg)

Key: EZ	Electrogalvanised after manufacture	DC	Zinc rich coating
ZN+	Zinc nickel plus additional coating (black)	316L	Stainless steel 316 L

For detailed information related to finishes, refer to p. 132-133

All dimensions (mm) are nominal

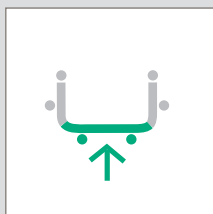
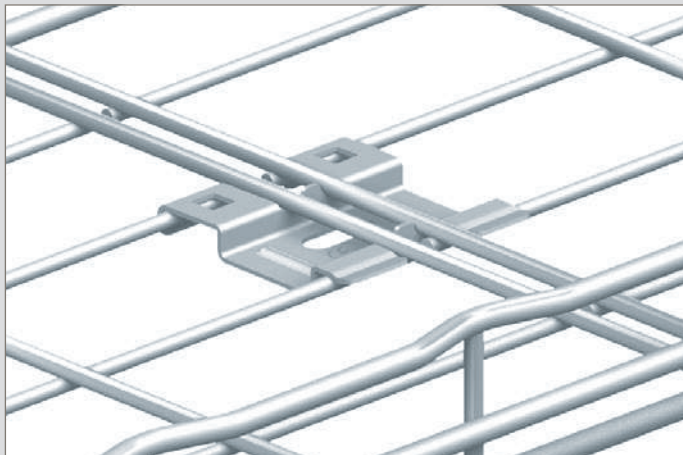
base couplers – length to length

CEFAS

■ CEFAS – base couplers

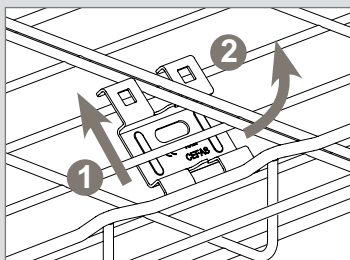
CEFAS couplers are used as base couplers in conjunction with EDRN or AUTOCLIC side rail couplers (p. 59-60). Can also be used as a luminaire support. Supplied in packs of 50. No additional fasteners or tools required

■ Installation

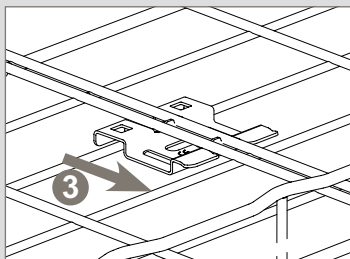


CEFAS used as a base coupler between two lengths of steel wire cable tray. No fasteners required

■ Assembly



1. and 2. insert CEFAS into the base of the tray as shown



3. slide into place to secure
No fasteners required



Patented



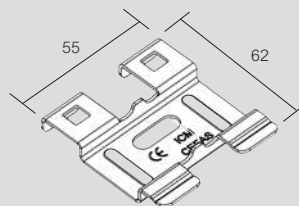
Fast assembling



Fixing without nuts and bolts

■ Dimensions and weights

↕ 30 → 150 mm ↻ 100 → 600 mm



CEFAS	Weight (kg)		
	GS	DC	316L
	0-03	0-04	0-34

Please use Cat. No. when placing your order, see p. 21

All weights are given in Kilograms (kg)

Key:	GS Pre-galvanised	316L Stainless steel 316 L
	DC Zinc rich coating	

For detailed information related to finishes, refer to **p. 132-133**

All dimensions (mm) are nominal

→ Straight lengths : see p. 44-55

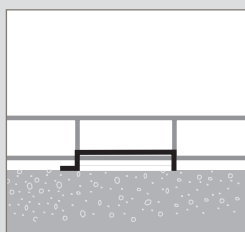
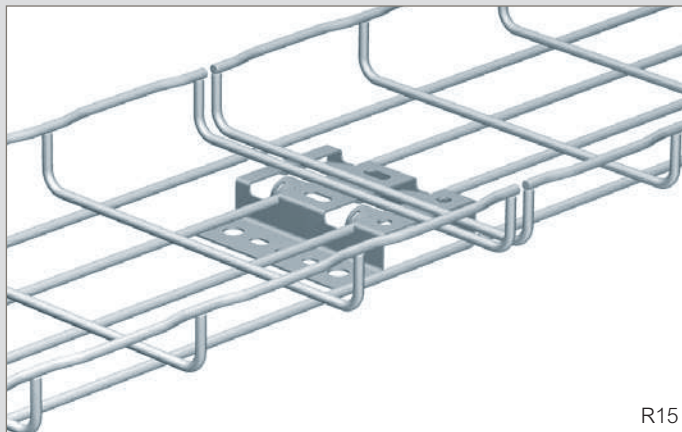
base couplers – length to length

R15/25/35

■ R15/25/35 – stand-off brackets

Use to fix 100 mm to 600 mm wide steel wire cable tray in 30 mm to 150 mm depths directly onto the floor. For 200 mm and 300 mm wide tray, use 2 x brackets across the width. For 400 mm to 600 mm wide tray, use 3 x brackets across the width. Can also be used for wall mounting (see p. 77). Incorporate slot and tab design for easy fixing. Supplied singly without fasteners

■ Installation



Mount tray runs on the floor using R15/25/35 and fasteners (not supplied)

■ Assembly

Securing stand-off brackets to steel wire cable tray



FAST
FAST ASSEMBLING SYSTEM



Patented



Fast assembling



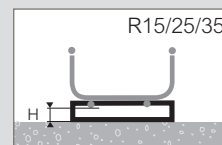
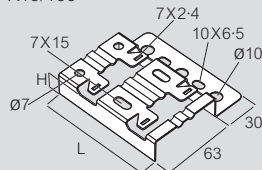
Fixing without nuts and bolts

Slot base wires of the tray into the stand-off bracket and bend tabs with screwdriver to secure, as shown in the FAST diagram above

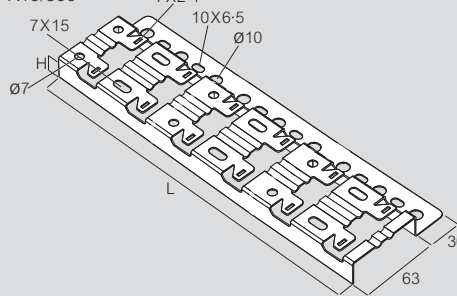
■ Dimensions and weights

↑ ↓ 30 → 150 mm ← → 100 → 600 mm

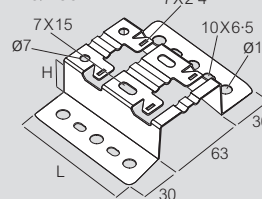
R15/100



R15/300



R25/R35



	H mm	L mm	F daN	Weight (kg)		
				GS	ZM	316L
R15/100	15	98	100	0.14	0.09	0.09
R15/300	15	300	100	0.38	0.41	–
R25	25	98	100	0.13	0.12	–
R35	35	98	50	0.15	0.14	–

Please use Cat. No. when placing your order, see p. 21

All weights are given in Kilograms (kg)

Key: **GS** Pre-galvanised **316L** Stainless steel 316 L
ZM Zinc magnesium

For detailed information related to finishes, refer to **p. 132-133**

All dimensions (mm) are nominal

→ For wall mounting : see p. 77

→ For floor mounting : see p. 94

→ Straight lengths : see p. 44-55

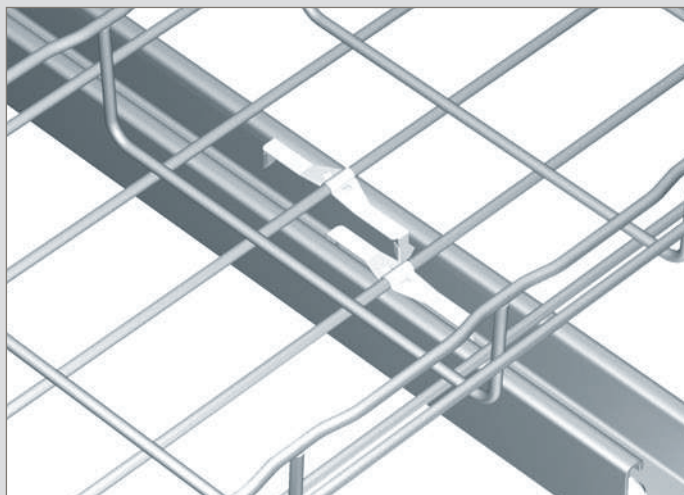
fixing components – channel fixings

FASTRUT 41

■ FASTRUT 41 – channel fixing

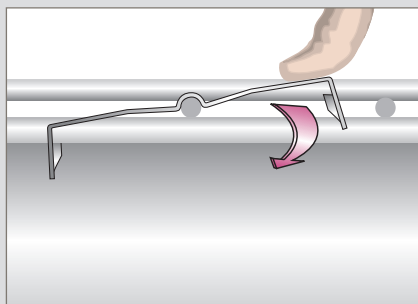
Use to secure steel wire cable tray to channel support or channel type cantilever arms. Supplied in packs of 50. No additional fasteners required

■ Installation



FASTRUT 41 in situ holding steel wire cable tray down to channel length

■ Assembly



Push fit FASTRUT 41 on to base wire of the tray and clip into position



Patented



Fast assembling



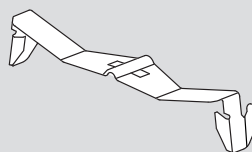
Fixing without nuts and bolts

→ Straight lengths : see p. 44-55

→ For cantilever arms : see p. 72-76

■ Dimensions and weights

↑↓ 30 → 150 mm ↔ 100 → 600 mm



	L mm	Weight (kg) DC
FS41	73	0.01

Please use Cat. No. when placing your order, see p. 22

All weights are given in Kilograms (kg)

Key: **DC** Zinc rich coating

For detailed information related to finishes, refer to **p. 132-133**

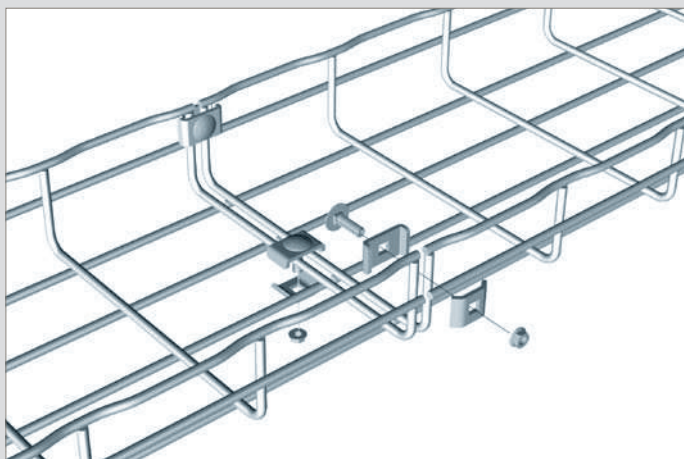
All dimensions (mm) are nominal

fixing kits – length to length coupling

KITASSTR - KITASSVS - KITFIXTR - KITFIXVS - KITINOX

Use for length to length coupling. Supplied in packs of 50

Installation



Fixing kits can be used to join two straight lengths. Use on both side wire and base of tray

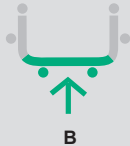
Assembly

The table below indicates the recommended quantity of fixing kits required to couple straight lengths together

Side coupling



Base coupling



i ↔ j →	50		100		150		200		300		400 → 450		500		600		
	A	B	A	B	A	B	A	B	A	B	A	B	A	B	A	B	
CF30 - CF54	2	0	2	1	2	1	2	1	2	2	2	2	2	2	2	2	3
CF80	-	-	2	1	-	-	2	1	2	2	2	2	2	3	2	3	
CF105	-	-	2	1	2	1	2	1	2	2	2	3	2	3	2	3	
CF150	-	-	-	-	-	-	2	2	2	2	2	3	2	3	2	3	
CFG	-	-	2	1	2	1	2	1	-	-	-	-	-	-	-	-	
HDF105	-	-	2	1	2	1	2	1	2	2	2	3	2	3	2	3	

→ Straight lengths : see p. 44-55

→ Creating bends, tees and reducers : see p. 114-127

Dimensions and weights

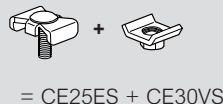
KITASSTR



KITFIXVS



KITASSVS



KITINOX



KITFIXTR



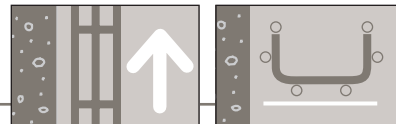
	Weight (kg)				
	EZ	ZN+	DC	304L	316L
KITASSTR	0.03	0.03	0.03	-	0.03
KITASSVS	0.03	-	0.03	-	-
KITFIXTR	0.02	-	0.02	-	-
KITFIXVS	0.02	-	0.02	-	-
KITINOX	-	-	-	-	0.03
CE25	0.01	-	0.01	0.01	0.01
CE30	0.01	-	0.01	0.01	0.01
BTRCC6 x 20	0.01	-	0.01	0.01	0.01

Please use Cat. No. when placing your order, see p. 23

All weights are given in Kilograms (kg)

Key: EZ	Electrogalvanised after manufacture	304L	Stainless steel 304 L
ZN+	Zinc nickel plus additional coating (black)	316L	Stainless steel 316 L
DC	Zinc rich coating		For detailed information related to finishes, refer to p. 132-133

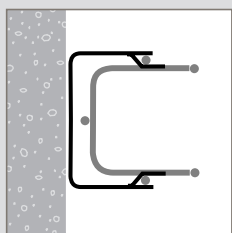
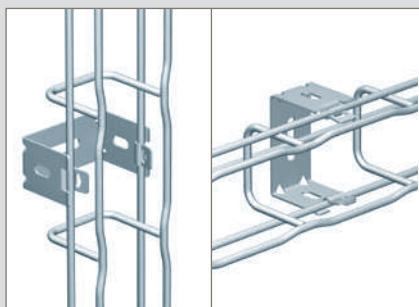
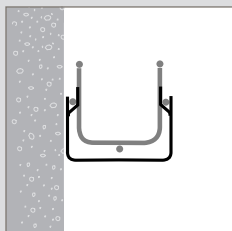
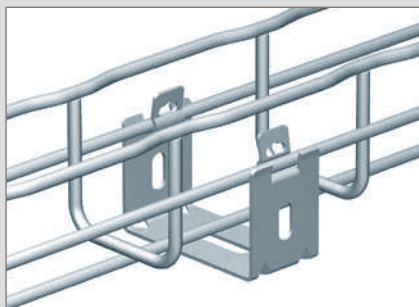
All dimensions (mm) are nominal



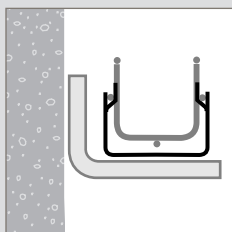
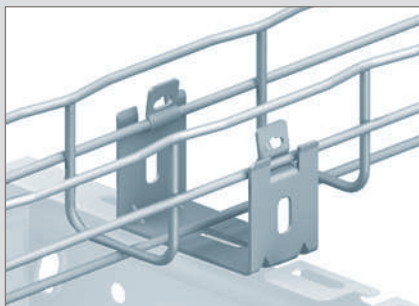
■ **UC50 – support cradles**

Use as a support cradle for 50 mm wide steel wire cable tray in 30 mm or 54 mm depths
 Can be mounted directly onto the wall - horizontally or vertically, or onto wall mounted cantilever arms using fasteners (see below for assembly information)
 Can also be ceiling mounted in conjunction with CEQ (see p. 81) or floor mounted (see p. 96). Supplied singly without fasteners

■ **Installation**



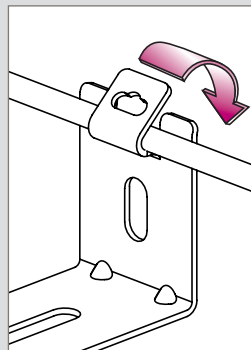
Mount directly onto wall using fasteners (not supplied)



Mount onto wall mounted cantilever arms using fasteners (not supplied)

■ **Assembly**

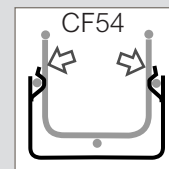
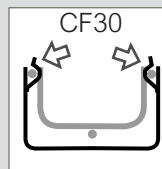
Securing UC50 to steel wire cable tray



Fast assembling

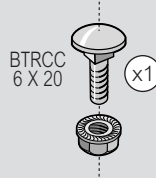


Fixing without nuts and bolts



Bend tabs with screwdriver to secure to steel wire cable tray

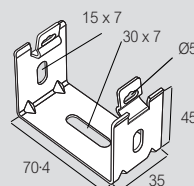
Securing UC50 to cantilever arm



Use BTRCC 6 x 20 (see p. 41) to secure to cantilever arms

■ **Dimensions and weights**

↑↓ 30 → 54 mm ↔ 50 mm



	↓ daN	Weight (kg)			
		GS	GC	304L	316L
UC50	12	0.06	0.07	0.06	0.06

Please use Cat. No. when placing your order, see p. 24

All weights are given in Kilograms (kg)

Key: GS	Pre-galvanised	304L	Stainless steel 304 L
GC	Hot dip galvanised after manufacture	316L	Stainless steel 316 L

For detailed information related to finishes, refer to p. 132-133

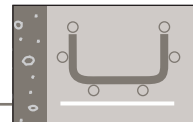
All dimensions (mm) are nominal

→ For ceiling mounting : see p. 81

→ For cantilever arms : see p. 72-76

wall mounting – light duty

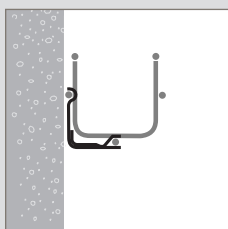
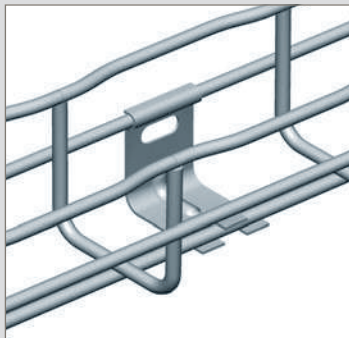
CAT30



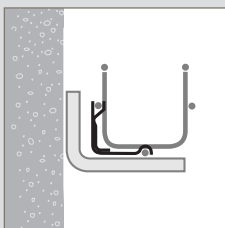
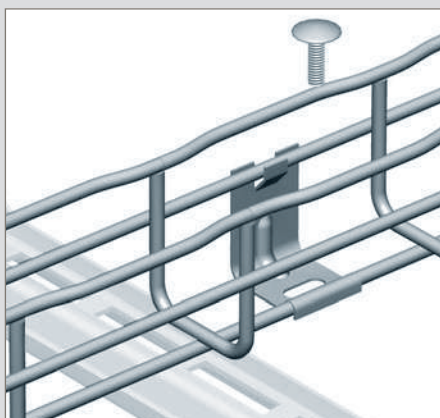
■ CAT30 – cantilever arm / wall fixing plates

Use to fix 50 mm wide steel wire cable tray in 30 mm or 54 mm depths directly onto the wall or onto wall mounted cantilever arms using fasteners (see below for assembly information)
Supplied singly without fasteners

■ Installation



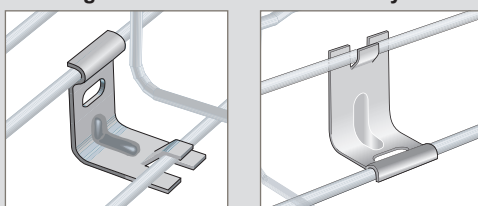
Mount directly onto the wall using fasteners (not supplied)



Mount onto wall mounting cantilever arms using fasteners (not supplied)

■ Assembly

Securing CAT30 to steel wire cable tray

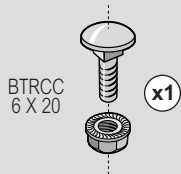


Click to secure to steel wire cable tray



Fixing without nuts and bolts

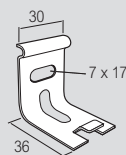
Securing CAT30 to cantilever arms



Use BTRCC 6 x 20 (see p. 41) to secure to cantilever arms

■ Dimensions and weights

↑↓ 30 → 54 mm ↔ 50 mm



	↓ daN	Weight (kg)			
		GS	DC	304L	316L
CAT30	20	0.03	0.03	0.03	0.03

Please use Cat. No. when placing your order, see p. 24

All weights are given in Kilograms (kg)

Key: GS	Pre-galvanised	304L	Stainless steel 304 L
GC	Hot dip galvanised after manufacture	316L	Stainless steel 316 L

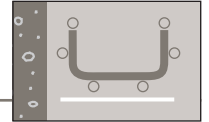
For detailed information related to finishes, refer to p. 132-133

All dimensions (mm) are nominal

→ For cantilever arms : see p. 72-76

wall mounting – light duty

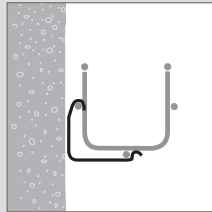
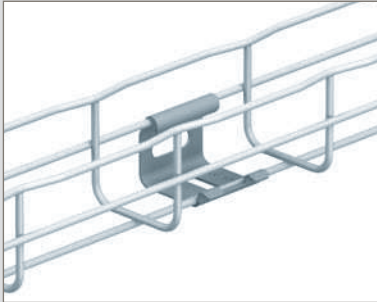
CAT40



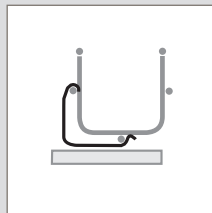
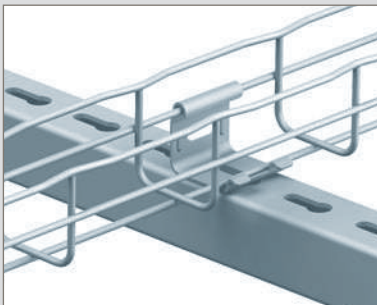
■ CAT40 – channel / wall fixing plates

Use to fix 50 mm wide steel wire cable tray in 30 mm or 54 mm depths directly onto the wall or onto wall mounted channel support. Attach to wall or channel support using fasteners (see below for assembly information). Can also be clipped onto most steel wire cable trays as an ancillary mounting plate (see p. 102). Supplied singly without fasteners.

■ Installation



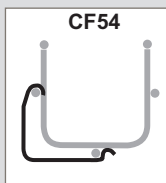
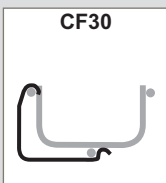
Mount directly onto wall using fasteners (not supplied)



Mount onto wall mounted channel support using fasteners (not supplied)

■ Assembly

Securing CAT40 to steel wire cable tray

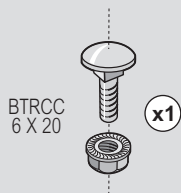


Click to secure to steel wire cable tray



Fixing without nuts and bolts

Securing CAT40 to channel support



Use BTRCC 6 x 20 (see p. 41) to secure to channel support

Key: GS Pre-galvanised 316L Stainless steel 316 L

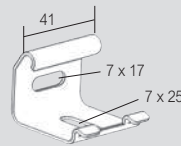
DC Zinc rich coating

For detailed information related to finishes, refer to **p. 132-133**

All dimensions (mm) are nominal

■ Dimensions and weights

↕ 30 → 54 mm ↔ 50 mm



	↓ F daN	Weight (kg)		
		GS	DC	316L
CAT40	20	0.04	0.04	0.04

Please use Cat. No. when placing your order, see p. 24

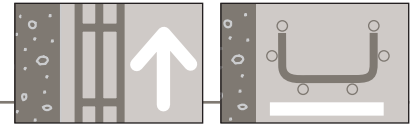
All weights are given in Kilograms (kg)

➔ For cantilever arms : see p. 72-76

➔ For ancillary mounting : see p. 102

wall mounting – medium duty

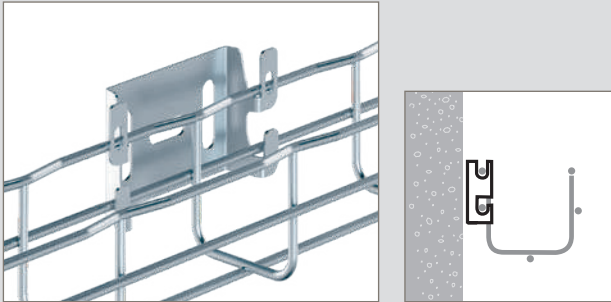
CM50 – CM50XL



■ CM50 – universal mounting plates (small)

Use to fix 50 mm wide steel wire cable tray in 54 mm depth directly onto the wall using the side rail of tray
 Use for horizontal mounting of steel wire cable tray runs. Incorporates slot and tab design for easy fixing
 Can also be clipped onto most steel wire cable trays as an ancillary mounting plate (see p. 102). Supplied singly without fasteners

■ Installation



Mount directly onto wall using fasteners (not supplied)

■ Assembly

Securing CM50 to steel wire cable tray



Bend tabs with screwdriver to secure to steel wire cable tray



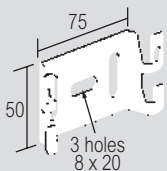
Fast assembling



Fixing without nuts and bolts

■ Dimensions and weights

54 mm 50 mm



	Weight (kg)			
	GS	GC	304L	316L
CM50	0-08	0-08	0-07	0-07

Please use Cat. No. when placing your order, see p. 24

All weights are given in Kilograms (kg)

Key: GS	Pre-galvanised	304L	Stainless steel 304 L
EZ+	Additional coating after electrogalvanisation (black)	316L	Stainless steel 316 L
GC	Hot dip galvanised after manufacture	For detailed information related to finishes, refer to p. 132-133	

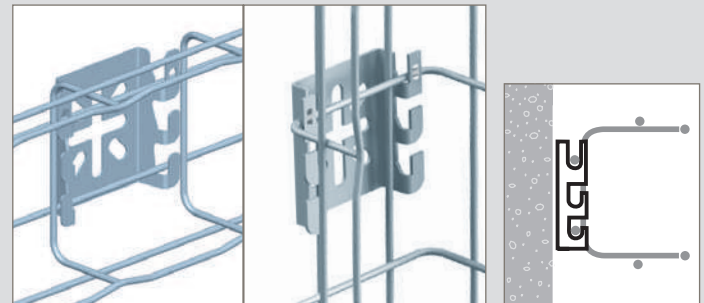
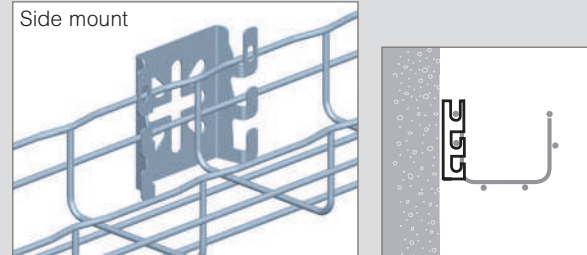
All dimensions (mm) are nominal

→ For ancillary mounting : see p. 102

■ CM50XL – universal mounting plates (large)

Use to fix 50 mm to 100 mm wide steel wire cable tray in 54 mm depth directly onto the wall using side rail of tray, and 100 mm to 600 mm wide tray in 30 mm to 105 mm depths (including CFG) using base of tray.
 Can be used for horizontal and vertical mounting of cable tray runs.
 Can also be used for ceiling mounting (see p. 83) and floor mounting (see p. 92). Incorporates slot and tab design for easy fixing
 Supplied singly without fasteners

■ Installation

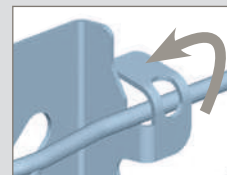


Base mount - horizontal

Base mount - vertical

■ Assembly

Securing CM50XL to steel wire cable tray



Bend tabs with screwdriver to secure to steel wire cable tray



Fast assembling

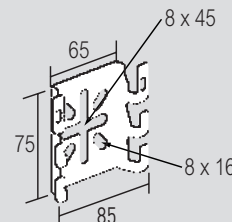


Fixing without nuts and bolts

■ Dimensions and weights

54 mm 50 → 100 mm (side rail mounted)

30 mm → 105 mm 100 → 600 mm (base mounted)



	Weight (kg)				
	GS	EZ+	GC	304L	316L
CM50XL	0-10	0-11	0-11	0-08	0-08

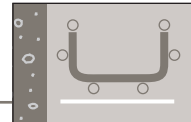
Please use Cat. No. when placing your order, see p. 24

All weights are given in Kilograms (kg)

→ For ceiling mounting : see p. 83

→ For floor mounting : see p. 92

→ For ancillary mounting : see p. 102



■ **CSN – profile cantilever arms**
INTERFAS – adaptor plate
EPVCSN – end cap

CSN - profile cantilever arms

Use to support 100 mm to 450 mm wide steel wire cable tray in 30 mm and 54 mm depths. Can be wall mounted using fasteners (see below) or pendant drop mounted using EDF mounting rail (see p. 89-90) Incorporate slot and tab design for easy fixing Supplied singly without fasteners

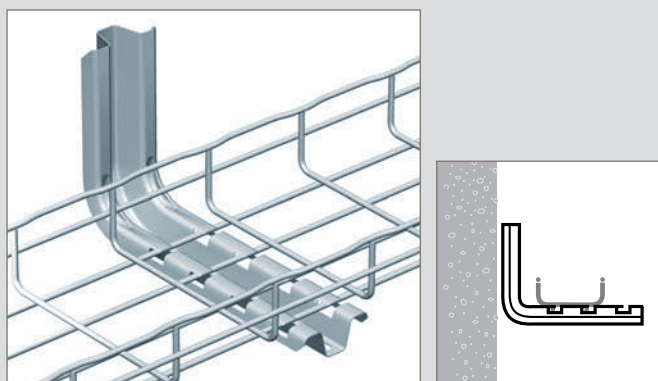
INTERFAS - adaptor plate

Used as a tool-less mounting device to attach CSN profile cantilever arms to channel section Supplied singly

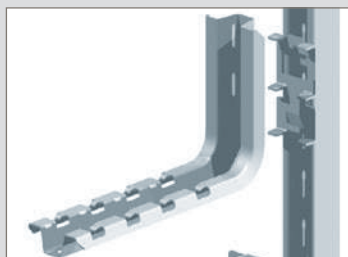
EPVCSN - end cap

PVC end cap for CSN profile cantilever arms Supplied singly

■ **Installation**



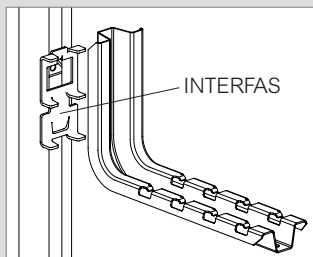
Mount directly onto wall using fasteners (not supplied)



Slot CSN into INTERFAS. No additional fasteners required

■ **Assembly**

Securing CSN to channel



Mount onto wall mounted channel support using INTERFAS

Securing CSN to steel wire cable tray



Slot base wires of the tray into the cantilever arm and bend tabs with screwdriver to secure, as shown in the FAS diagram above



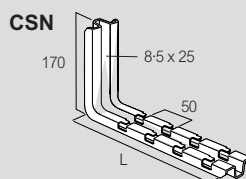
Fast assembling



Fixing without nuts and bolts

■ **Dimensions and weights**

↓ 30 → 54 mm ↶ 100 → 450 mm

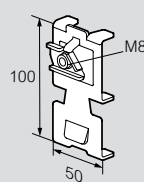


	L mm	F daN	Weight (kg)			
			GS	GC	304L	316L
CSN100	178	130	0.37	0.40	0.40	0.40
CSN150	228	110	0.42	0.47	0.41	0.41
CSN200	278	85	0.47	0.53	0.51	0.51
CSN300	378	73	0.73	0.76	0.64	0.64
CSN400	478	56	0.82	0.92	–	–
CSN450	528	50	0.91	0.97	–	–

Please use Cat. No. when placing your order, see p. 25

All weights are given in Kilograms (kg)

INTERFAS



	L mm	Weight (kg)	
		GS	GC
INTERFAS	100	0.08	0.08

Please use Cat. No. when placing your order, see p. 28

All weights are given in Kilograms (kg)

EPVCSN



	Weight (kg)
	PVC
EPVCSN	0.01

Please use Cat. No. when placing your order, see p. 25

All weights are given in Kilograms (kg)

Key: GS	Pre-galvanised	304L	Stainless steel 304 L
GC	Hot dip galvanised after manufacture	316L	Stainless steel 316 L
PVC	PVC		

For detailed information related to finishes, refer to p. 132-133

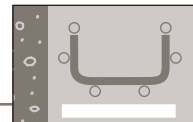
All dimensions (mm) are nominal

→ For floor mounting : see p. 97

→ For ceiling mounting : see p. 89-90

wall mounting – medium duty

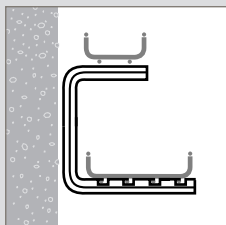
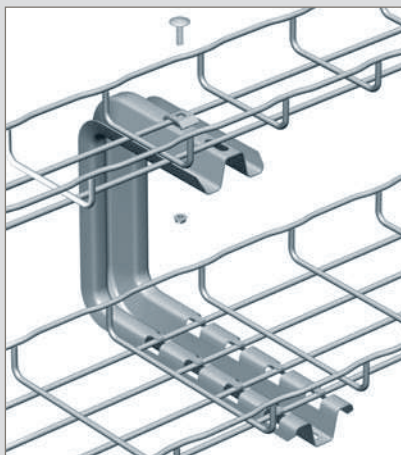
CSNC



■ CSNC – profile roof cantilever arms

Use to support 100 mm to 450 mm wide steel wire cable tray in 30 mm and 54 mm depths. Can be wall mounted using fasteners (see below) or ceiling mounted (see p. 87). Incorporate slot and tab design for easy fixing. Supplied singly without fasteners

■ Installation



Mount directly onto wall using fasteners (not supplied). Steel wire cable tray can be fitted to the main or profile arm of the cantilever (see assembly detail below)

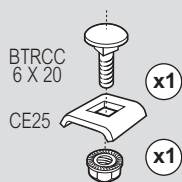
■ Assembly

CSNC - securing cantilever arm to steel wire cable tray



FAS
FAST ASSEMBLING SYSTEM

Slot base wires of the tray into the cantilever arm and bend tabs with screwdriver to secure, as shown in the FAS diagram



Use BTRCC 6 x 20 + CE25 to secure tray to the profile arm of the cantilever



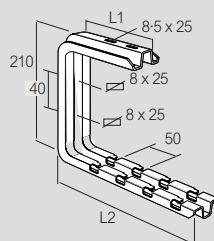
Fast assembling



Fixing without nuts and bolts

■ Dimensions and weights

↓ 30 → 54 mm ↔ 100 → 450 mm



	L1 mm	L2 mm	↓ F daN	Weight (kg)		
				GS	GC	316L
CSNC100	170	178	120	0-57	0-65	0-60
CSNC150	170	228	100	0-63	0-72	0-67
CSNC200	170	278	80	0-68	0-80	0-72
CSNC300	288	378	70	1-30	1-35	–
CSNC400	288	478	48	1-36	1-38	–
CSNC450	288	528	44	1-40	1-47	–

Please use Cat. No. when placing your order, see p. 25

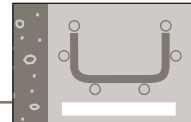
All weights are given in Kilograms (kg)

Key: **GS** Pre-galvanised **316L** Stainless steel 316 L
GC Hot dip galvanised after manufacture

For detailed information related to finishes, refer to **p. 132-133**

All dimensions (mm) are nominal

→ For ceiling mounting : see p. 87



- **CB – cantilever arms**
- EDF – pendants / mounting rails
- R41SP – pendants / mounting rails (heavy duty)

CB - cantilever arms

Use to support 100 to 600 mm wide steel wire cable tray in 30 to 150 mm depths. Mount directly onto wall or use with EDF or R41SP mounting rails. Incorporates slot and tab design for easy fixing. Supplied singly without fasteners.

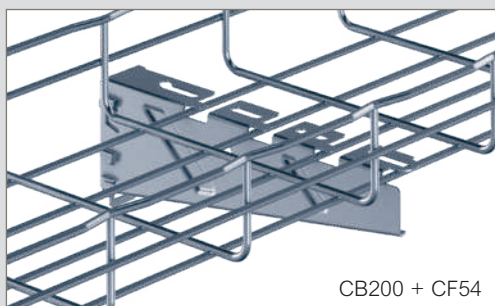
EDF - pendants / mounting rails

Use as a wall mounted rail or can be pendant mounted using PFREDF (see p. 89-90). Supplied singly without fasteners.

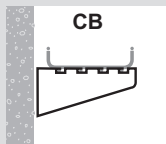
R41SP - pendants / mounting rails (heavy duty)

Use as a wall mounted rail or can be pendant mounted using PFR41S (see p. 91). Supplied singly without fasteners.

Installation

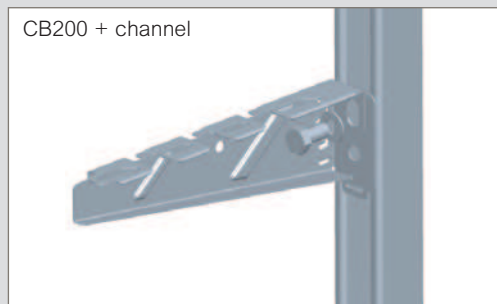


CB200 + CF54

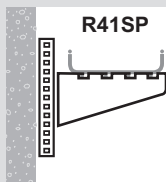


CB

CB mounted directly to the wall using fasteners (not supplied)

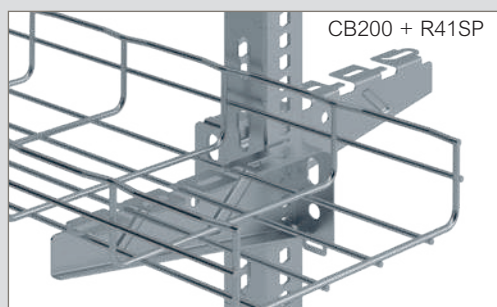


CB200 + channel

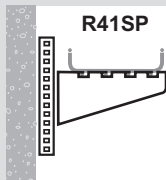


R41SP

CB mounted onto channel using fasteners (not supplied)

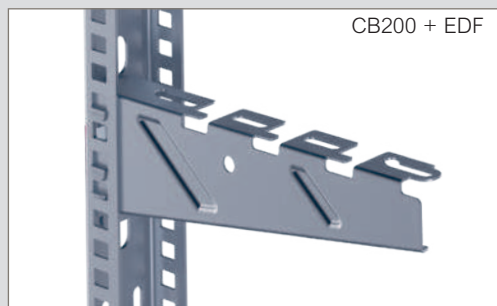


CB200 + R41SP

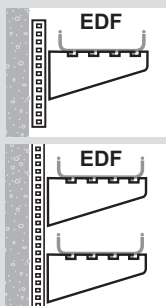


R41SP

CB mounted onto R41SP side rail. No fasteners required for CB100-400



CB200 + EDF



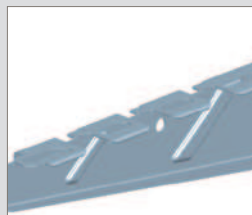
EDF

EDF

CB200 mounted onto EDF rail. No fasteners required for CB100-400

Assembly

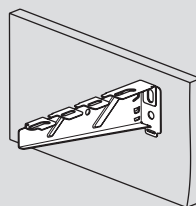
CB - securing cantilever arm to steel wire cable tray



FAS
FAST ASSEMBLING SYSTEM

Slot base wires of the tray into the cantilever arm and bend tabs with screwdriver to secure, as shown in the FAS diagram

CB - securing cantilever arm to wall



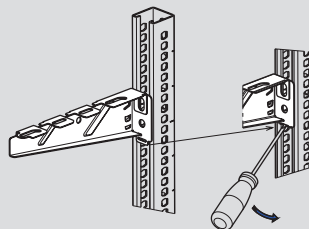
Fasteners required¹

CB100-400
1 x SS1020
1 x FW10

CB500-600
2 x SS1020
2 x FW10

Use fasteners (not supplied) to mount directly onto the wall

Securing cantilever arm to channel



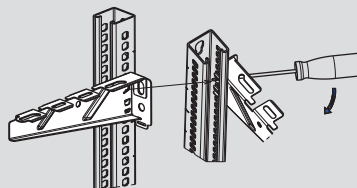
Fasteners required¹

CB100-400
1 x SS1020
1 x FW10
1 x PN100

CB500-600
2 x SS1020
2 x FW10
2 x PN100

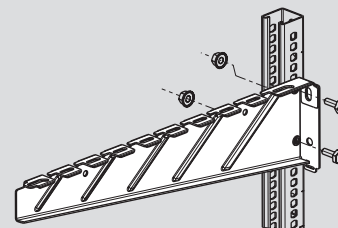
Use channel spring nut and fasteners (not supplied) to secure cantilever arm to channel. Bend bottom tab of cantilever arm for additional support

Securing CB to R41SP side rail - CB100-400 (pre-galvanised and stainless steel only)



Mount onto R41SP mounting rail by hooking the cantilever arm onto the exterior of the side rail. Secure by bending tabs. No fasteners required.

Securing CB to R41SP side rail - CB500-600



Secure to the exterior of the side rail of R41SP mounting rail with fasteners (not supplied)

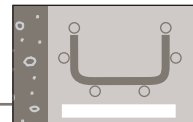
Fasteners required¹
2 x SS0820
2 x EEC8

¹ : Fasteners are available in a variety of finishes. For ordering advice please contact us on +44 (0) 345 608 9020

➔ For ceiling (pendant) mounting : see p. 89-91

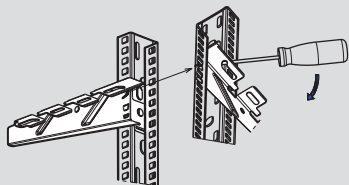
wall mounting – medium duty

CB - EDF - R41SP (continued)



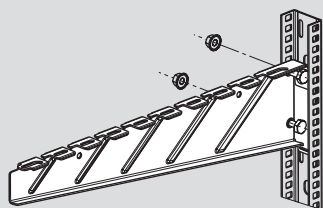
■ Assembly (continued)

Securing CB to EDF – CB100-400 (pre-galvanised and stainless steel only)



Mount onto EDF mounting rail by hooking the cantilever arm onto the interior of the side rail
Secure by bending tabs
No fasteners required

Securing CB to EDF – CB500-600



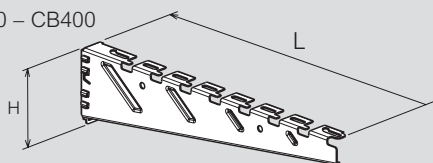
Secure to the interior of the side rail of EDF mounting rail with fasteners (not supplied)

Fasteners required¹
2 x SS0820
2 x EEC8

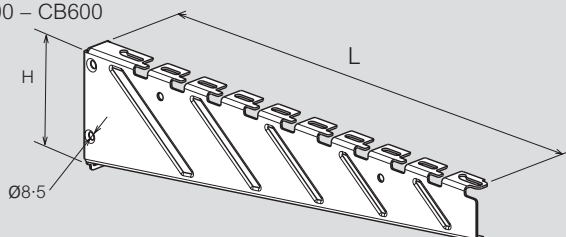
■ Dimensions and weights

CB \updownarrow 30 → 150 mm \leftrightarrow 100 → 600 mm

CB100 – CB400



CB500 – CB600



	L mm	H mm	Weight (kg)			
			GS	GC	316L	EZ+
CB100	131	71	0.117	0.125	0.120	0.125
CB150	181	75	0.162	0.173	0.166	0.173
CB200	231	75	0.188	0.201	0.193	0.201
CB300	335	88	0.347	0.371	0.355	0.371
CB400	435	102	0.480	0.514	0.492	0.514
CB500	535	137	1.017	1.119	1.041	1.119
CB600	638	137	1.124	1.236	1.151	1.236

Please use Cat. No. when placing your order, see p. 26

All weights are given in Kilograms (kg)

¹ : Fasteners are available in a variety of finishes
For ordering advice please contact us on +44 (0) 345 608 9020

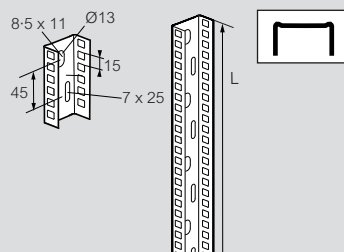
→ For ceiling (pendant) mounting : see p. 90-91

■ Safe working loads

	↓ daN		
	Wall	Rail	Channel
CB100	110	50	50 ¹
CB150	100	50	80 ¹
CB200	110	40	80 ¹
CB300	150	40	90 ¹
CB400	150	60	100 ¹
CB500	200	120	150 ²
CB600	160	110	90 ²

1 : 9Nm
2 : 15Nm

EDF \updownarrow 30 → 150 mm \leftrightarrow 100 → 600 mm

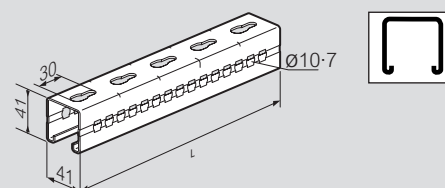


	L mm	↓ daN	Weight (kg)			
			GS	GC	304L	316L
EDF300	270	55	0.33	0.34	–	–
EDF600	600	50	0.77	0.83	–	–
EDF1000	1000	65	1.19	1.24	–	–
EDF2000	2000	70	2.40	2.56	2.48	2.48
EDF3000	3000	100	3.66	3.89	–	–

Please use Cat. No. when placing your order, see p. 28

All weights are given in Kilograms (kg)

R41SP \updownarrow 30 → 150 mm \leftrightarrow 100 → 600 mm



	L mm	mm	Weight (kg)	
			GS	EZ+
R41SP3000	3000	2	5.60	5.60

Please use Cat. No. when placing your order, see p. 28

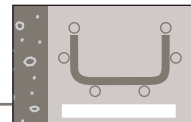
All weights are given in Kilograms (kg)

Key: GS	Pre-galvanised	316L	Stainless steel 316 L
EZ+	Additional coating after electrogalvanisation (black)	304L	Stainless steel 304 L
GC	Hot dip galvanised after manufacture	For detailed information related to finishes, refer to p. 132-133	

All dimensions (mm) are nominal

wall mounting – medium duty

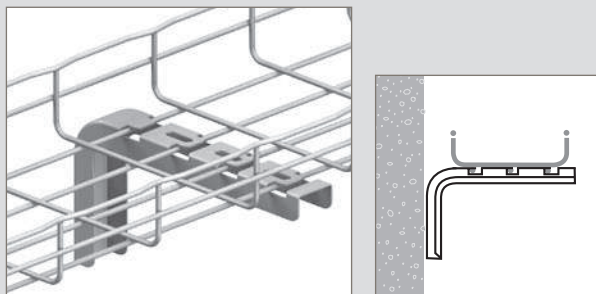
CLN – CC21S



■ CLN – cantilever arms

Use to support 100 mm to 300 mm wide steel wire cable tray in 30 mm to 54 mm depths. Wall mount using fasteners. Incorporate slot and tab design for easy fixing. Supplied singly without fasteners

■ Installation



Mount directly onto wall using fasteners (not supplied)

■ Assembly

Securing CLN to steel wire cable tray



FAS LOT
FAST ASSEMBLING SYSTEM

Slot base wires of the tray into the cantilever arm and bend tabs with screwdriver to secure, as shown in the FAS diagram



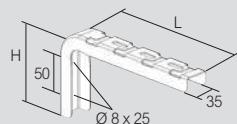
Fast assembling



Fixing without nuts and bolts

■ Dimensions and weights

↓ 30 → 54 mm ↶ 100 → 300 mm



	L mm	H mm	↓ daN	Weight (kg)	
				GS	GC
CLN100	100	125	95	0.16	0.20
CLN150	150	125	70	0.19	0.23
CLN200	200	125	40	0.23	0.27
CLN300	300	125	25	0.29	0.33

Please use Cat. No. when placing your order, see p. 26

All weights are given in Kilograms (kg)

Key: GS Pre-galvanised 316L Stainless steel 316 L
GC Hot dip galvanised after manufacture

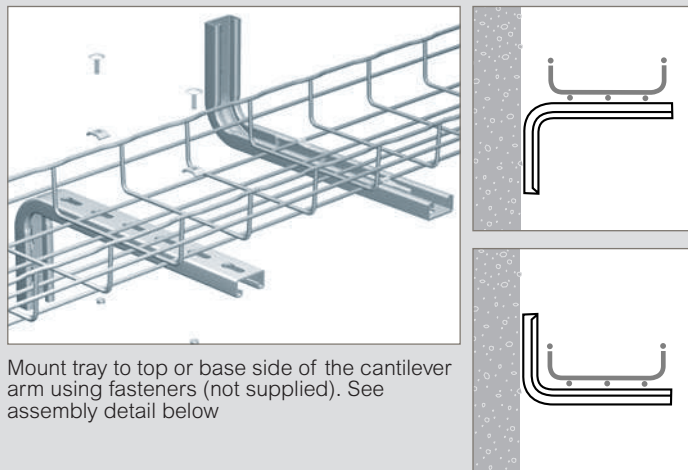
For detailed information related to finishes, refer to **p. 132-133**

All dimensions (mm) are nominal

■ CC21S – cantilever arms

Use to support 100 mm to 300 mm wide steel wire cable tray in 30 mm to 105 mm depths. Can be wall mounted using fasteners (see below) or pendant drop mounted. Supplied singly without fasteners

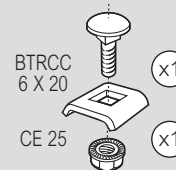
■ Installation



Mount tray to top or base side of the cantilever arm using fasteners (not supplied). See assembly detail below

■ Assembly

Securing CC21S to steel wire cable tray

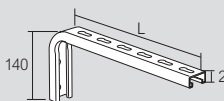


Secure to steel wire cable tray using FASTRUT 41 when grooved edge is facing upwards

Secure to steel wire cable tray using fasteners when flat surface is facing upwards

■ Dimensions and weights

↓ 30 → 105 mm ↶ 100 → 300 mm



NOTE : Overall length (L) of CC21S cantilever arm is not equal to width of tray due to curve

	L mm	↓ daN	Weight (kg)	
			GS	316L
CC21S150	150	135	0.33	0.36
CC21S200	200	108	0.39	0.42
CC21S300	300	80	0.46	0.50
CC21S400	400	92	0.55	0.59

Please use Cat. No. when placing your order, see p. 27

All weights are given in Kilograms (kg)

wall mounting – horizontal or vertical mounting

R15/25/35 – R55



R15/25/35 – stand-off brackets – couplers R50 – stand-off brackets

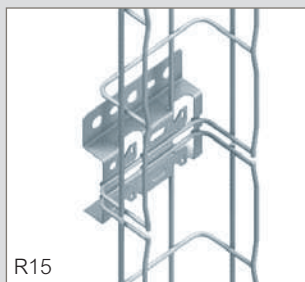
R15/25/35 - stand-off brackets

Use to fix 100 mm to 600 mm wide steel wire cable tray in 30 mm to 105 mm depths directly onto the wall. Can be used for horizontal and vertical mounting of cable tray runs. Can also be used for floor mounting (see p. 94) and as a base coupler (see p. 65). Incorporates slot and tab design for easy fixing. Supplied singly without fasteners

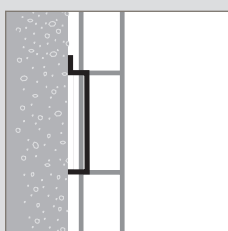
R50 - stand-off brackets

Use to fix 100 mm to 600 mm wide steel wire cable tray in 30 mm to 105 mm depths directly onto the wall. Can be used for horizontal and vertical mounting of cable tray runs. Can also be used for floor mounting (see p. 94). Incorporates slot and tab design for easy fixing. Supplied singly without fasteners

Installation



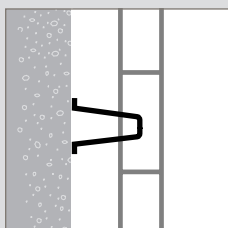
R15



Mount directly onto wall using fasteners (not supplied). Vertical mounting of tray shown - horizontal mounting also possible



R50



Mount directly onto wall using fasteners (not supplied). Vertical mounting of tray shown - horizontal mounting also possible

Assembly

Securing R15/25/35/50 to steel wire cable tray



FAS
FAST ASSEMBLING SYSTEM

Slot base wires of the tray into the cantilever arm and bend tabs with screwdriver to secure, as shown in the FAS diagram

NOTE :

200 to 300 mm wide tray requires 2 x brackets mounted side by side across the width of the tray. 400 to 600 mm wide tray requires 3 x brackets

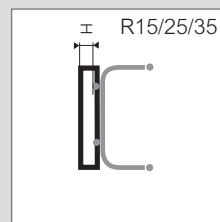
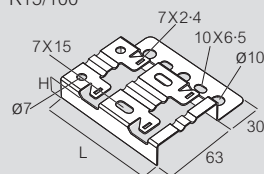
→ For base coupling : see p. 65

→ For floor mounting : see p. 94

Dimensions and weights

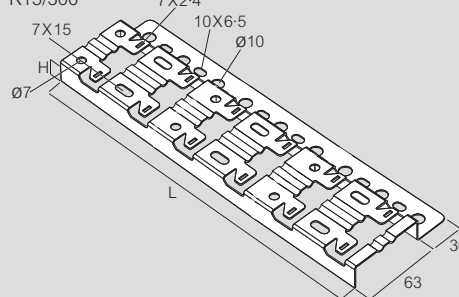
R15/25/35 \downarrow 30 \rightarrow 105 mm \leftarrow 100 \rightarrow 600 mm

R15/100

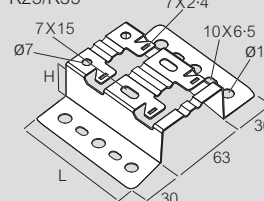


Patented

R15/300



R25/R35

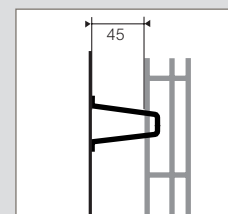
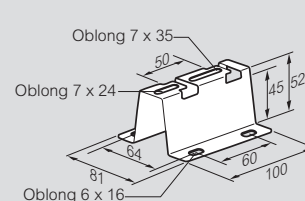


	H mm	L mm	F daN	Weight (kg)		
				GS	ZM	316L
R15/100	15	98	100	0.14	0.09	0.09
R15/300	15	300	100	0.38	0.41	–
R25	25	98	100	0.13	0.12	–
R35	35	98	50	0.15	0.14	–

Please use Cat. No. when placing your order, see p. 27

All weights are given in Kilograms (kg)

R50 \downarrow 30 \rightarrow 105 mm \leftarrow 100 \rightarrow 600 mm



R50	H mm	F daN	Weight (kg)		
			GS	GC	316L
	52	150	0.12	0.12	0.12

Please use Cat. No. when placing your order, see p. 27

All weights are given in Kilograms (kg)

Key: GS Pre-galvanised 316L Stainless steel 316 L

GC Hot dip galvanised after manufacture

ZM Zinc magnesium

For detailed information related to finishes, refer to p. 132-133

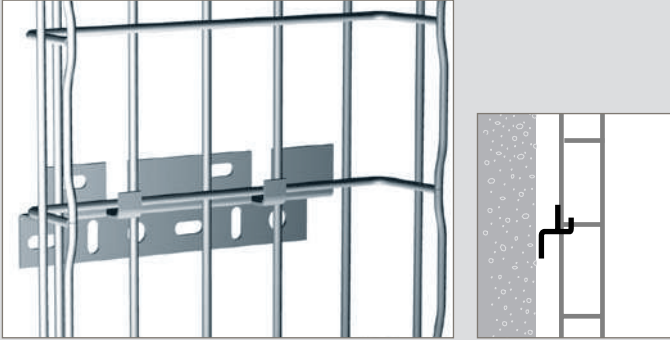
All dimensions (mm) are nominal



FV1 – mounting bracket

Use to fix 100 mm to 600 mm wide steel wire cable tray in 30 mm to 105 mm depths directly onto the wall. Can be used for vertical mounting of cable tray runs. Incorporates slot and tab design for easy fixing. Supplied singly without fasteners

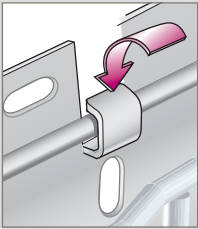
Installation



Mount directly onto wall using fasteners (not supplied)

Assembly

Securing FV1 to steel wire cable tray



Bend tabs with screwdriver or pliers to secure FV1 to base of tray



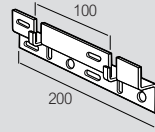
Fast assembling



Fixing without nuts and bolts

Dimensions and weights

Height: 30 → 105 mm Width: 100 → 600 mm



	F daN	Weight (kg)		
		GS	DC	316L
FV1	100	0.31	0.31	0.25

Please use Cat. No. when placing your order, see p. 27

All weights are given in Kilograms (kg)

Key: GS Pre-galvanised 316L Stainless steel 316 L
DC Zinc rich coating

For detailed information related to finishes, refer to **p. 132-133**

All dimensions (mm) are nominal

wall mounting – horizontal or vertical mounting

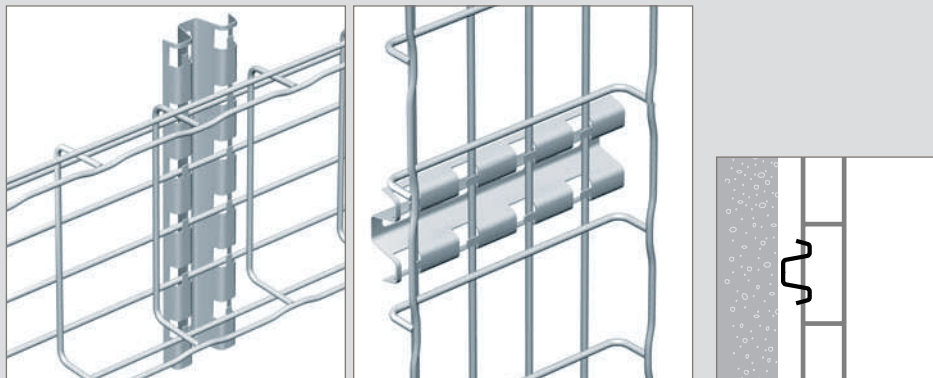
RCSN



■ RCSN – fast fix support rails

Use to fix 100 mm to 600 mm wide steel wire cable tray in 30 mm to 105 mm depths directly onto the wall. Can be used for horizontal and vertical mounting of cable tray runs. Can also be used for ceiling mounting (see. p. 85, 88) and for floor mounting (see p. 93, 98) Incorporates slot and tab design for easy fixing. Supplied singly without fasteners

■ Installation

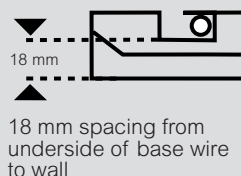


Mount directly onto wall using fasteners (not supplied) to run tray in a vertical or horizontal direction

■ Assembly



Slot base wires of the tray into the support rail and bend tabs with screwdriver to secure, as shown in the FAS diagram above



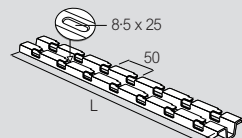
Fast assembling



Fixing without nuts and bolts

■ Dimensions and weights

↓ 30 → 105 mm ↻ 100 → 600 mm



	L mm	↓ daN	Weight (kg)				
			GS	EZ+	GC	304L	316L
RCSN150	150	100	0.16	–	0.17	–	0.16
RCSN200	200	100	0.23	–	0.23	–	0.22
RCSN300	300	100	0.33	–	0.36	–	0.33
RCSN400	400	100	0.38	–	0.49	–	0.45
RCSN500	500	100	0.54	–	0.61	–	0.59
RCSN550	550	100	0.63	–	0.65	–	–
RCSN600	600	100	0.67	–	0.70	–	0.69
RCSN700	700	100	0.78	–	–	–	–
RCSN1000	1 000	100	1.18	–	1.23	–	1.21
RCSN2000	2 000	100	2.20	–	2.42	2.30	2.30
RCSN3000	3 000	100	3.54	3.45	3.78	3.65	3.65

Please use Cat. No. when placing your order, see p. 28

All weights are given in Kilograms (kg)

→ For ceiling mounting : see p. 85, 88

→ For floor mounting : see p. 93, 98

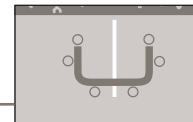
→ For beam mounting : see p. 99

Key: GS	Pre-galvanised	316L	Stainless steel 316 L
EZ+	Additional coating after electrogalvanisation (black)	304L	Stainless steel 304 L
GC	Hot dip galvanised after manufacture	For detailed information related to finishes, refer to p. 132-133	

All dimensions (mm) are nominal

ceiling mounting – central hangers

SF50 – SF100 – SL50

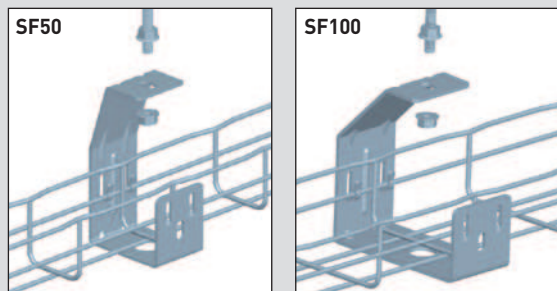


■ SF50 – SF100 – central hangers

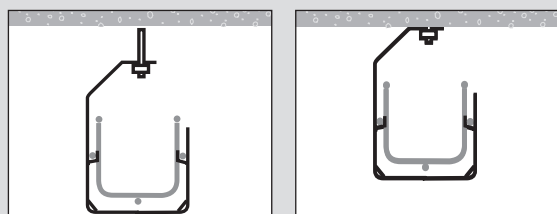
Used with threaded rod and fasteners to form a central hanger to suspend steel wire cable tray from ceiling. Can also be bolted directly to the ceiling

Use SF50 for 50 mm wide steel wire cable tray in 30 mm and 54 mm depths and SF100 for 100mm wide tray in 30 mm and 54 mm depths
Incorporates slot and tab design for easy fixing
Supplied singly without fasteners

■ Installation



SF50 and SF100 used to suspend tray from ceiling with threaded rod and fasteners (not supplied). Provision of base hole enables easy access for installation



Suspended with threaded rod and fasteners (not supplied)

Bolted directly to ceiling. Fasteners not supplied

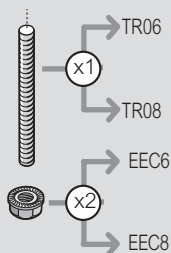
■ Assembly

Suspending SF50 / SF100 from ceiling

Use TR06 (M6 x 3m) or TR08 (M8 x 3m) threaded rod and 2 x EEC6 (6mm) or 2 x EEC8 (8mm) hex nuts (not supplied) to suspend SF50 / SF100 from ceiling

Securing SF50 / SF100 to steel wire cable tray

Side wires of the tray fix into bracket tabs. No additional fixings required to secure tray to bracket



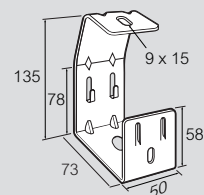
Fast assembling



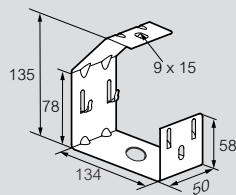
Fixing without nuts and bolts

■ Dimensions and weights

SF50
 \downarrow 30 → 54 mm \leftarrow 50 mm



SF100
 \downarrow 30 → 54 mm \leftarrow 100 mm



	L mm	F _L daN	Weight (kg)		
			GS	GC	316L
SF50	73	30	0.22	0.24	0.22
SF100	134	26	0.49	0.70	0.49

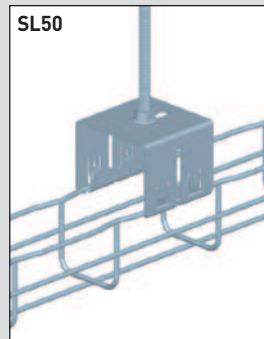
Please use Cat. No. when placing your order, see p. 29

All weights are given in Kilograms (kg)

■ SL50 – luminaire support (used as central hanger)

Use as a central hanger to suspend 50 mm wide steel wire cable tray. Supplied singly. Threaded rod and fasteners not supplied
Also used as a luminaire support, see p. 105

■ Installation and assembly

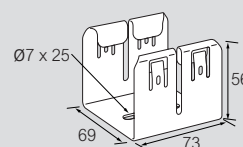


SL50 clips onto the side rail of the tray. No fasteners required to secure bracket to tray

■ Dimensions and weights

SL 50

\downarrow 30 → 54 mm \leftarrow 50 mm



	H mm	F _L daN	Weight (kg) GS
SL50	56	150	0.19

Please use Cat. No. when placing your order, see p. 29

All weights are given in Kilograms (kg)

Key:	GS Pre-galvanised	316L Stainless steel 316 L
	GC Hot dip galvanised after manufacture	

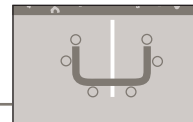
For detailed information related to finishes, refer to p. 132-133

All dimensions (mm) are nominal

→ For luminaire support : see p. 105

ceiling mounting – central hangers

CEQ – UC50



■ CEQ – central hanger brackets + UC50 – support cradles

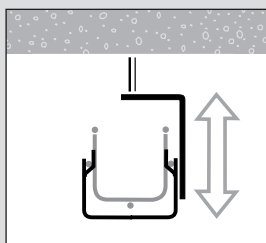
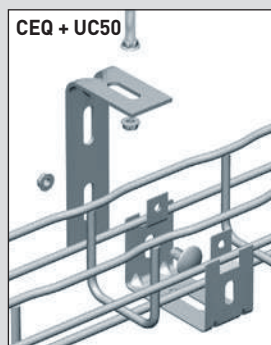
CEQ - central hanger brackets

Use with UC50, threaded rod and fasteners to form a central hanger to suspend 50 mm wide steel wire cable tray in 30 mm and 54 mm depths from the ceiling
Supplied singly without fasteners

UC50 - support cradles

Use as a support cradle for 50 mm wide steel wire cable tray in 30 mm or 54 mm depths
Can be ceiling mounted in conjunction with CEQ or floor mounted (see p. 96).
Can also be mounted directly onto the wall - horizontally or vertically, or onto 41 mm channel profiles (see p. 68)
Supplied singly without fasteners

■ Installation



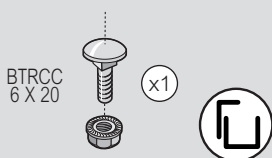
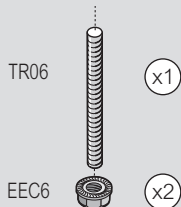
CEQ + UC50 used to suspend tray from ceiling with threaded rod and fasteners (not supplied)

Slot alignment allows for onsite adjustment

■ Assembly

Suspending CEQ + UC50 from ceiling

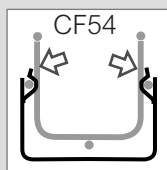
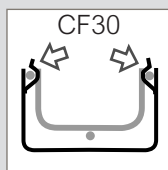
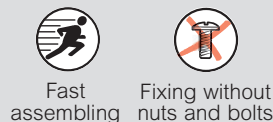
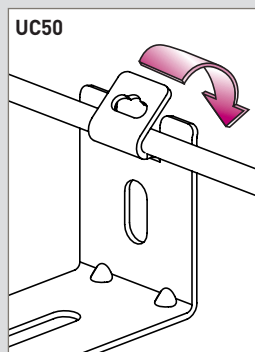
Securing UC50 to CEQ



Use TR06 (M6 x 3m) threaded rod and 2 x EEC6 (6mm) hex nuts (not supplied) to suspend CEQ from ceiling

Use 1 x BTRCC (not supplied) to attach UC50 to CEQ, as shown in the side view illustration

Securing UC50 to steel wire cable tray



Bend tabs with screwdriver or pliers to secure UC50 to side rail of tray

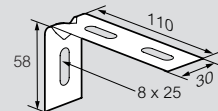
→ For wall mounting : see p. 68

→ For floor mounting : see p. 96

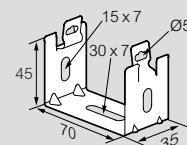
■ Dimensions and weights

↑↓ 30 → 54 mm ↔ 50 mm

CEQ



UC50



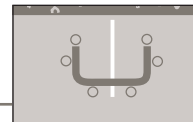
	F daN	Weight (kg)			
		GS	GC	304L	316L
CEQ	12	0-08	0-08	–	0-08
UC50	12	0-06	0-07	0-06	0-06

Please use Cat. No. when placing your order, see p. 29

All weights are given in Kilograms (kg)

Key:	GS Pre-galvanised	304L Stainless steel 304 L
	GC Hot dip galvanised after manufacture	316L Stainless steel 316 L
For detailed information related to finishes, refer to p. 132-133		

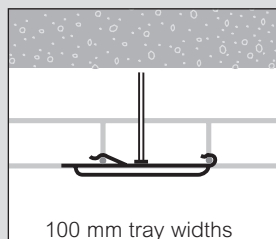
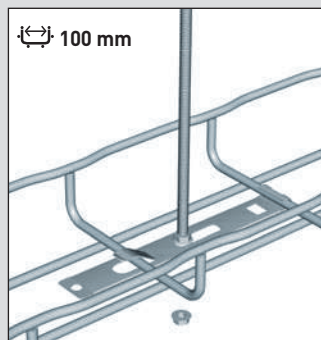
All dimensions (mm) are nominal



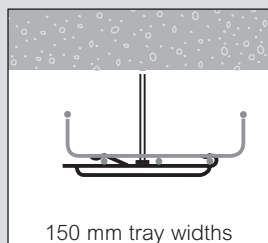
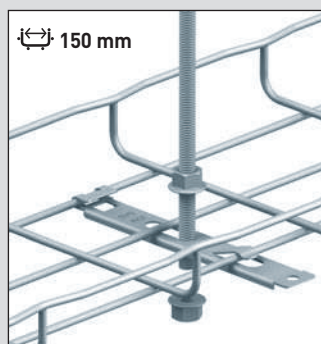
■ SAS – suspension hangers

Use with threaded rod and fasteners to form a central hanger to suspend 100 mm and 150 mm wide steel wire cable tray in 30 mm and 54 mm depths from the ceiling
 Incorporates slot and tab design for easy fixing
 Supplied singly without fasteners

■ Installation



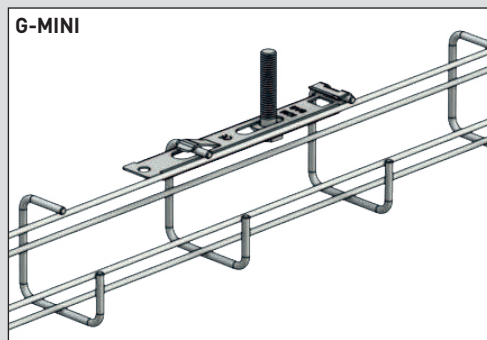
Mount SAS along the length of the tray when using 100 mm wide steel wire cable tray
 Use with threaded rod and fasteners (not supplied)



Mount SAS across the width of the tray when using 150 mm wide steel wire cable tray. Use with threaded rod and fasteners (not supplied)

Note :

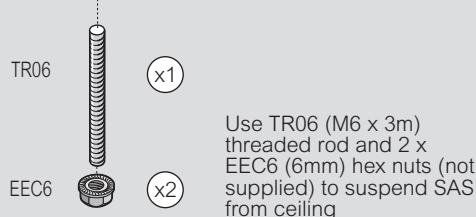
The threaded rod will sit off centre due to the position of the base wire in the tray length



Mount SAS along the length of G-MINI steel wire cable tray
 Use with threaded rod and fasteners (not supplied)

■ Assembly

Suspending SAS from ceiling



Securing SAS to steel wire cable tray



Fast assembling

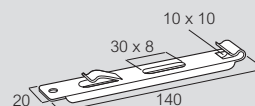


Fixing without nuts and bolts

Base wires of the tray fix into hanger tabs. No additional fixings required to secure tray to SAS hanger
 Use blade of screwdriver to click SAS firmly into place

■ Dimensions and weights

30 → 54 mm 100 → 150 mm



SAS	↓ F daN	Weight (kg)	
		EZ	DC
	60	0-03	0-03

Please use Cat. No. when placing your order, see p. 30

All weights are given in Kilograms (kg)

Key: **EZ** Electrogalvanised after manufacture

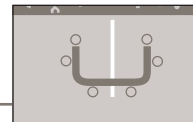
DC Zinc rich coating

For detailed information related to finishes, refer to p. 132-133

All dimensions (mm) are nominal

ceiling mounting – central hangers

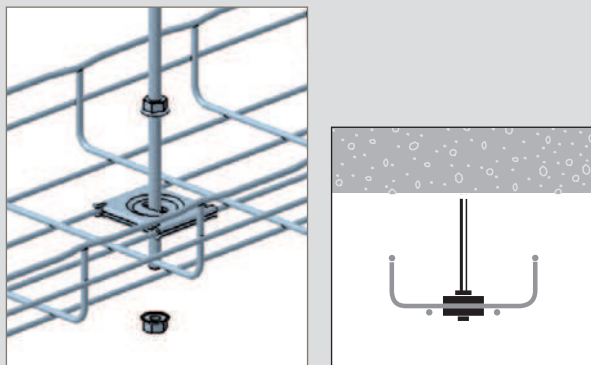
CE40 – CM50XL



■ CE40 – hold down clamps (used as central hangers)

Use in a pair with threaded rod and fasteners to form a central hanger to suspend 100 mm to 200 mm wide steel wire cable tray in 30 mm and 54 mm depths from the ceiling
Supplied in packs of 25 without fasteners

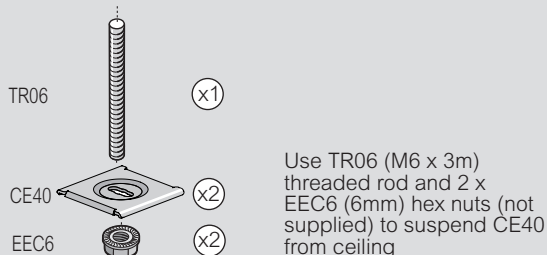
■ Installation



CE40 used to suspend tray from ceiling with threaded rod and fasteners (not supplied)

■ Assembly

Suspending CE40 from ceiling

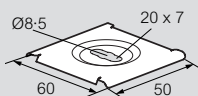


Securing CE40 to steel wire cable tray

Use 2 x CE40, one on the top side and one to the underside of the tray. Secure with 2 x EEC6 hex nuts, as shown above

■ Dimensions and weights

30 → 54 mm 100 → 200 mm



	↓ daN	Weight (kg)				
		EZ	ZN+	DC	304L	316L
CE40	100	0-04	0-04	0-04	0-04	0-04

Please use Cat. No. when placing your order, see p. 30

All weights are given in Kilograms (kg)

Key:	GS	Pre-galvanised	DC	Zinc rich coating
	EZ	Electrogalvanised after manufacture	304L	Stainless steel 304 L
	EZ+	Additional coating after electrogalvanisation (black)	316L	Stainless steel 316 L
	ZN+	Zinc nickel plus additional coating (black)		
	GC	Hot dip galvanised after manufacture		For detailed information related to finishes, refer to p. 132-133

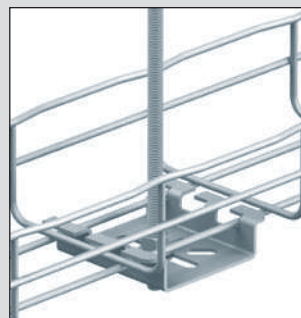
All dimensions (mm) are nominal

→ To create radius bends : see p. 114-117

■ CM50XL – universal mounting plates (large)

Use with threaded rod and fasteners to form a central hanger to suspend 100 mm to 200 mm wide steel wire cable tray in 30 mm and 54 mm depths from the ceiling
Can also be used for horizontal and vertical wall mounting of cable tray runs (see p. 71) and for floor mounting (see p. 92)
Incorporates slot and tab design for easy fixing. Supplied singly without fasteners

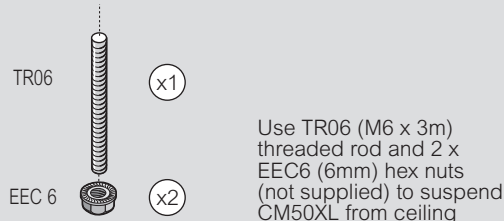
■ Installation



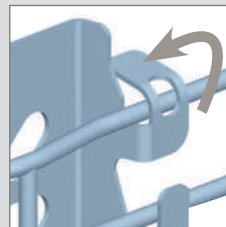
CM50XL used to suspend tray from ceiling with threaded rod and fasteners (not supplied)

■ Assembly

Suspending CM50XL from ceiling



Securing CM50XL to steel wire cable tray



Bend tabs using a flat blade screwdriver or pair of pliers to secure to steel wire cable tray



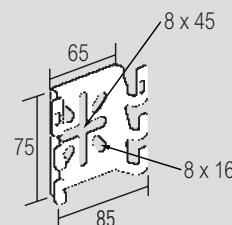
Fast assembling



Fixing without nuts and bolts

■ Dimensions and weights

30 → 54 mm 100 → 200 mm



	↓ daN	Weight (kg)				
		GS	EZ+	GC	304L	316L
CM50XL	100	0-10	0-11	0-11	0-08	0-08

Please use Cat. No. when placing your order, see p. 30

All weights are given in Kilograms (kg)

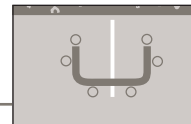
→ For wall mounting : see p. 71

→ For floor mounting : see p. 92

→ For ancillary mounting : see p. 102

ceiling mounting – central hangers

SCF – PFSCF – EXT-SCF



■ SCF – central hangers + PFSCF – locating ceiling plate + EXT-SCF – rod sheaths

SCF - central hangers

Use with threaded rod and fasteners to form a central hanger to suspend 200 mm to 600 mm wide steel wire cable tray in 30 mm and 54 mm depths from the ceiling. Incorporates slot and tab design for easy fixing. Used in conjunction with PFSCF locating ceiling plate and EXT-SCF rod sheath. Supplied singly without fasteners

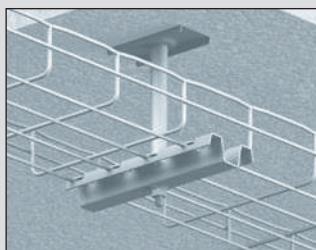
PFSCF - locating ceiling plate

Locating plate for use with SCF. Supplied singly without fasteners

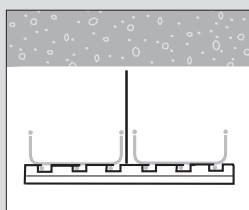
EXT-SCF - rod sheaths

Extension rod sheath for use with SCF. EXT-SCF helps to protect cables from damage. Supplied singly without fasteners

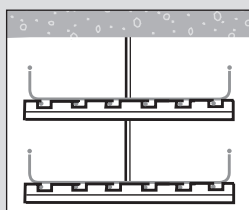
■ Installation



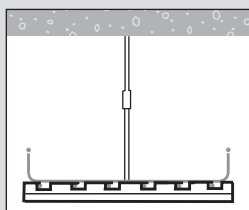
SCF central hanger in situ with PFSCF locating ceiling plate and EXT-SCF rod sheath covering threaded rod



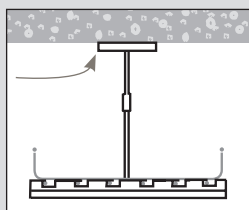
SCF can support 2 x tray runs up to 200 mm wide side by side



2 x SCF can be used in a tier arrangement



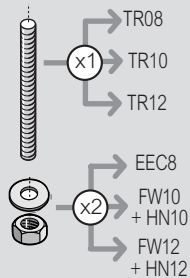
EXT-SCF can be used with threaded rod of any length



PFSCF can be used to spread the load and further stabilise the installation

■ Assembly

Suspending SCF from ceiling



Installation steps

- 1) Install threaded rod into ceiling fixing, such as ceiling anchor (not supplied)
- 2) On floor level, assemble cable tray onto SCF
- 3) Attach EXT-SCF rod sheath and PFSCF locating ceiling plate to SCF central hanger
- 4) Offer assembly up to pre-fitted threaded rod
- 5) Secure assembly with washers and hexagon nuts

■ Assembly (continued)

Securing SCF to steel wire cable tray



Slot base wires of the tray into the SCF hanger and bend tabs with screwdriver to secure, as shown in the FAS diagram



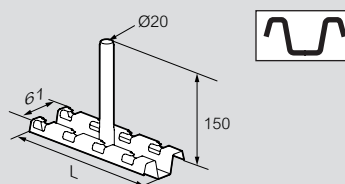
Fast assembling



Fixing without nuts and bolts

■ Dimensions and weights

SCF - \downarrow 30 \rightarrow 54 mm \leftrightarrow 200 \rightarrow 600 mm

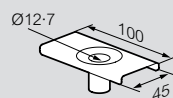


	L mm	\downarrow FL daN	\downarrow FL daN	Weight (kg) GS
SCF200	194	200	37	0.27
SCF300	294	160	29	0.39
SCF400	394	141	23	0.51
SCF450	444	130	20	0.57
SCF500	494	121	20	0.64
SCF600	594	99	19	0.78

Please use Cat. No. when placing your order, see p. 31

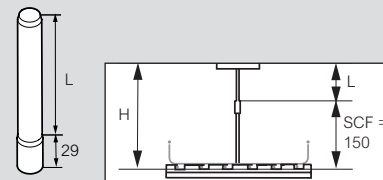
All weights are given in Kilograms (kg)

PFSCF - \downarrow 30 \rightarrow 54 mm \leftrightarrow 200 \rightarrow 600 mm



	L mm	Weight (kg) GS
PFSCF	100	0.08

EXT-SCF - \downarrow 30 \rightarrow 54 mm \leftrightarrow 200 \rightarrow 600 mm



	L mm	H mm	Weight (kg) GS
EXT-SCF50	50	200	0.10
EXT-SCF100	100	250	0.11
EXT-SCF150	150	300	0.12
EXT-SCF325	325	475	0.20

Please use Cat. No. when placing your order, see p. 31

All weights are given in Kilograms (kg)

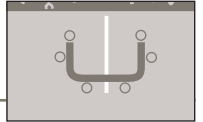
Key: **GS** Pre-galvanised

For detailed information related to finishes, refer to p. 132-133

All dimensions (mm) are nominal

ceiling mounting – central hangers

UCS – RCSN



■ UCS – ceiling support brackets + RCSN – fast fix support rails

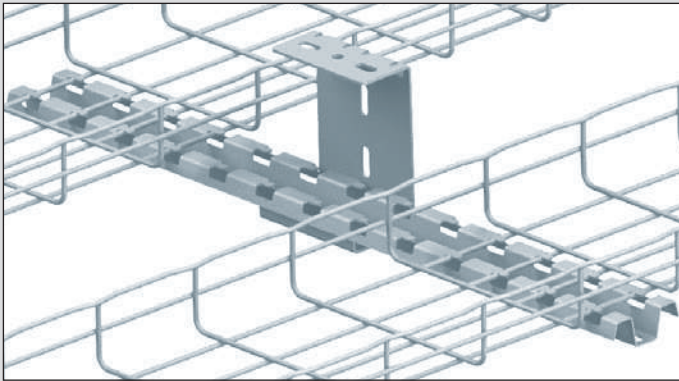
UCS - ceiling support brackets

Use with RCSN or channel to form a central hanger to suspend 2 parallel runs of 50 mm (100 mm using RSCN) to 300 mm wide steel wire cable tray in 30 mm and 54 mm depths from the ceiling. Supplied singly without fasteners

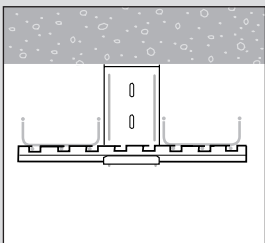
RCSN - fast fix support rails

Use with UCS (above) or threaded rod to form a central hanger to suspend steel wire cable tray from the ceiling. Can also be used for horizontal and vertical wall mounting of cable tray runs (see p. 79) and for floor mounting (see p. 93, 98). Incorporates slot and tab design for easy fixing. Supplied singly without fasteners

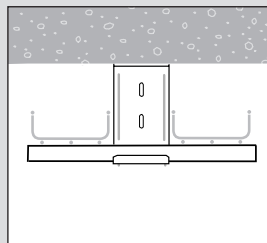
■ Installation



UCS ceiling support bracket + RCSN fast fix support rail to support 2 x parallel runs of steel wire cable tray from the ceiling



UCS and RCSN supporting parallel runs of cable tray



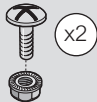
UCS and channel supporting parallel runs of cable tray

■ Assembly

Suspending UCS + RCSN from ceiling

BTRL 8 x 15

Use BTRL 8 x 15 fasteners to secure RCSN support rail or channel support to UCS



Securing RCSN to steel wire cable tray



FAS
FAST ASSEMBLING SYSTEM

Slot base wires of the tray into the RCSN support rail and bend tabs with screwdriver to secure, as shown in the FAS diagram above



Fast assembling



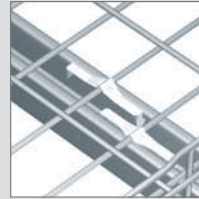
Fixing without nuts and bolts

→ For wall mounting : see p. 79

→ For floor mounting : see p. 93, 98

■ Assembly (continued)

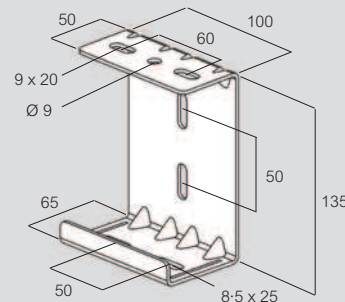
Securing channel support to steel wire cable tray



Use FASTRUT 41 (see p. 22) to secure steel wire cable tray to channel lengths

■ Dimensions and weights

UCS - $\downarrow \uparrow$ 30 → 54 mm $\leftarrow \rightarrow$ 50 → 300 mm

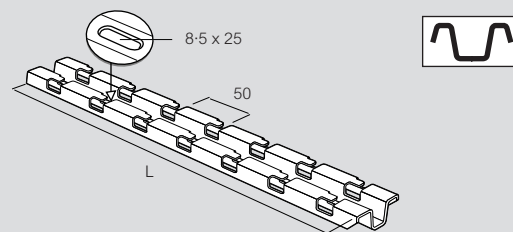


UCS	L mm	daN.m	Weight (kg)		
			GS	GC	316L
UCS	100	18	0.51	0.51	0.51

Please use Cat. No. when placing your order, see p. 31

All weights are given in Kilograms (kg)

RCSN - $\downarrow \uparrow$ 30 → 105 mm $\leftarrow \rightarrow$ 100 → 600 mm



RCSN	L mm	Weight (kg)				
		GS	EZ+	GC	304L	316L
RCSN150	150	0.16	-	0.17	-	0.16
RCSN200	200	0.23	-	0.23	-	0.22
RCSN300	300	0.33	-	0.36	-	0.33
RCSN400	400	0.38	-	0.49	-	0.45
RCSN500	500	0.54	-	0.61	-	0.59
RCSN550	550	0.63	-	0.65	-	-
RCSN600	600	0.67	-	0.70	-	0.69
RCSN700	700	0.78	-	-	-	-
RCSN1000	1 000	1.18	-	1.23	-	1.21
RCSN2000	2 000	2.20	-	2.42	2.30	2.30
RCSN3000	3 000	3.54	3.45	3.78	3.65	3.65

Please use Cat. No. when placing your order, see p. 33

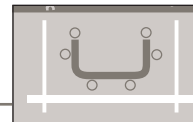
All weights are given in Kilograms (kg)

Key: GS	Pre-galvanised	316L	Stainless steel 316 L
EZ+	Additional coating after electrogalvanisation (black)	304L	Stainless steel 304 L
GC	Hot dip galvanised after manufacture	For detailed information related to finishes, refer to p. 132-133	

All dimensions (mm) are nominal

ceiling mounting – trapeze

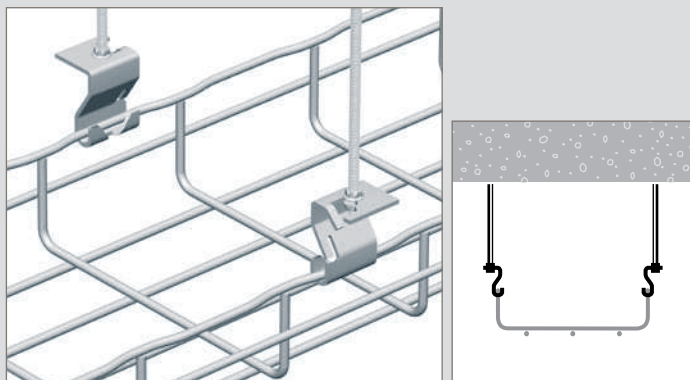
AS



■ AS – suspension hooks

Use with threaded rod and fasteners to form a trapeze hanger to suspend 100 mm to 600 mm wide steel wire cable tray in 30 mm to 105 mm depths from the ceiling. Supplied singly without fasteners

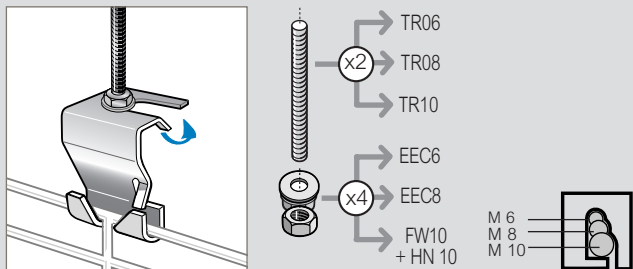
■ Installation



AS suspension hook suspending wire tray from the ceiling with threaded rod and fasteners (not supplied)

■ Assembly

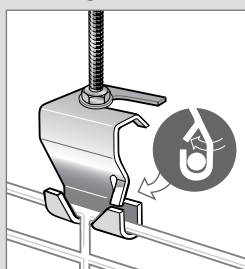
Suspending AS from ceiling



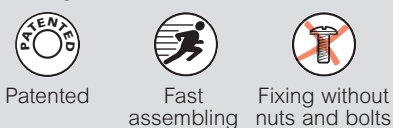
Bend tab upwards to lock threaded rod into place

Use TR06 / 08 or 10 (M6 / M8 / M10 x 3m) threaded rod and 4 x EEC6 / 8 or 4 x HN10 + FW10 hex nuts and flat washers (not supplied) to suspend AS from ceiling

Securing AS to steel wire cable tray

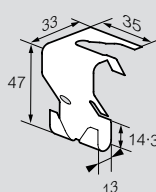


Bend tab upwards to lock side bar of tray into place



■ Dimensions and weights

↓ 30 → 105 mm ↔ 100 → 600 mm



AS	↓ daN	Weight (kg)			
		GS	ZN+	DC	316L
AS	100	0.04	0.05	0.05	0.04

Please use Cat. No. when placing your order, see p. 32

All weights are given in Kilograms (kg)

Key:

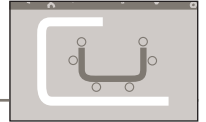
GS Pre-galvanised	DC Zinc rich coating
ZN+ Zinc nickel plus additional coating (black)	316L Stainless steel 316 L

For detailed information related to finishes, refer to **p. 132-133**

All dimensions (mm) are nominal

ceiling mounting – profile

CSNC



■ CSNC – profile roof cantilever arms

Use to support 100 mm to 450 mm wide steel wire cable tray in 30 mm to 105 mm depths. Can be mounted directly to the ceiling using fasteners (not supplied) to form a pendant drop or can be wall mounted (see p. 73). Incorporates slot and tab design for easy fixing. Supplied singly without fasteners.

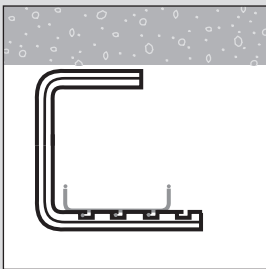
■ EPVCSN - profile cantilever arm

PVC end cap for CSN profile cantilever arms
Supplied singly

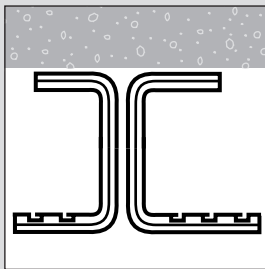
■ Installation



Mount directly onto ceiling using fasteners (not supplied)



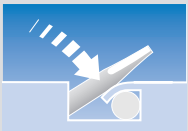
Support single runs of steel wire cable tray using one ceiling mounted cantilever arm



Mount cantilever arms back to back to run two horizontal runs of steel wire cable tray

■ Assembly

Securing CSNC cantilever arm to steel wire cable tray



FAS
FAST ASSEMBLING SYSTEM

Slot base wires of the tray into the cantilever arm and bend tabs with screwdriver to secure, as shown in the FAS diagram above



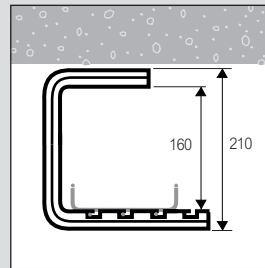
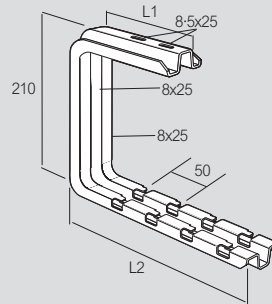
Fast assembling



Fixing without nuts and bolts

■ Dimensions and weights

↓ 30 → 105 mm ↻ 100 → 450 mm



	L1 mm	L2 mm	↓ daN	Weight (kg)		
				GS	GC	316L
CSNC100	170	178	120	0.57	0.65	0.60
CSNC150	170	228	100	0.63	0.72	0.67
CSNC200	170	278	80	0.68	0.80	0.72
CSNC300	288	378	70	1.30	1.35	–
CSNC400	288	478	48	1.36	1.38	–
CSNC450	288	528	44	1.40	1.47	–

Please use Cat. No. when placing your order, see p. 32

All weights are given in Kilograms (kg)

EPVCSN



	Weight (kg)
	PVC
EPVCSN	0.01

Key: **GS** Pre-galvanised **316L** Stainless steel 316 L
GC Hot dip galvanised after manufacture

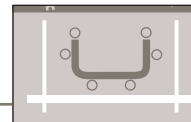
For detailed information related to finishes, refer to p. 132-133

All dimensions (mm) are nominal

→ For wall mounting : see p. 73

ceiling mounting – trapeze

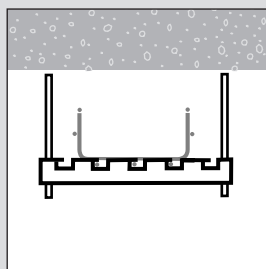
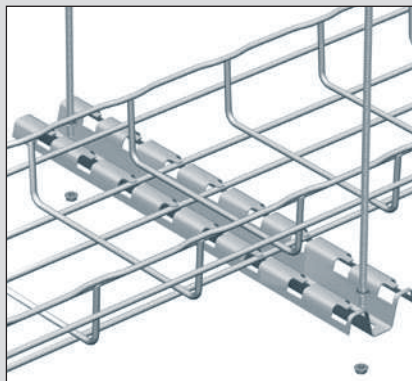
RCSN



RCSN – fast fix support rails

Use with threaded rod and fasteners to form a trapeze hanger to suspend 100 mm to 600 mm wide steel wire cable tray in 30 mm to 105 mm depths from the ceiling
 Can be mounted directly onto the wall (see p. 79) or floor mounted (see p. 93, 98)
 Incorporates slot and tab design for easy fixing. Supplied singly without fasteners

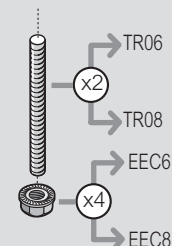
Installation



RCSN support rails suspending wire tray from the ceiling with threaded rod and fasteners (not supplied)

Assembly

Suspending RSCN from ceiling



Use 2 x TR06 or TR08 (M6 / M8 x 3m) threaded rod and 4 x EEC6 or EEC8 (6 or 8mm) hex nuts (not supplied) to suspend RCSN from ceiling

Securing RCSN support rail to steel wire cable tray



FAS
FAST ASSEMBLING SYSTEM

Slot base wires of the tray into the cantilever arm and bend tabs with screwdriver to secure, as shown in the FAS diagram above



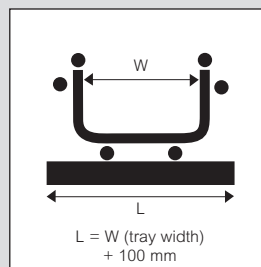
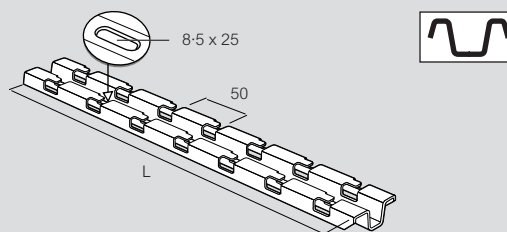
Fast assembling



Fixing without nuts and bolts

Dimensions and weights

30 → 105 mm 100 → 600 mm



To select the correct size RCSN for trapeze hanging, add 100 mm to the chosen tray width to allow for fixing of threaded rod either side of the tray, e.g. if using 200 mm wide tray, use a 300 mm wide RCSN

	L mm	Weight (kg)				
		GS	EZ+	GC	304L	316L
RCSN150	150	0.16	–	0.17	–	0.16
RCSN200	200	0.23	–	0.23	–	0.22
RCSN300	300	0.33	–	0.36	–	0.33
RCSN400	400	0.38	–	0.49	–	0.45
RCSN500	500	0.54	–	0.61	–	0.59
RCSN550	550	0.63	–	0.65	–	–
RCSN600	600	0.67	–	0.70	–	0.69
RCSN700	700	0.78	–	–	–	–
RCSN1000	1 000	1.18	–	1.23	–	1.21
RCSN2000	2 000	2.20	–	2.42	2.30	2.30
RCSN3000	3 000	3.54	3.45	3.78	3.65	3.65

Please use Cat. No. when placing your order, see p. 33

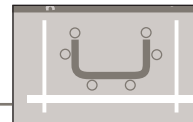
All weights are given in Kilograms (kg)

GS	Pre-galvanised	316L	Stainless steel 316 L
EZ+	Additional coating after electrogalvanisation (black)	304L	Stainless steel 304 L
GC	Hot dip galvanised after manufacture	For detailed information related to finishes, refer to p. 132-133	

All dimensions (mm) are nominal

ceiling mounting – trapeze

EDF



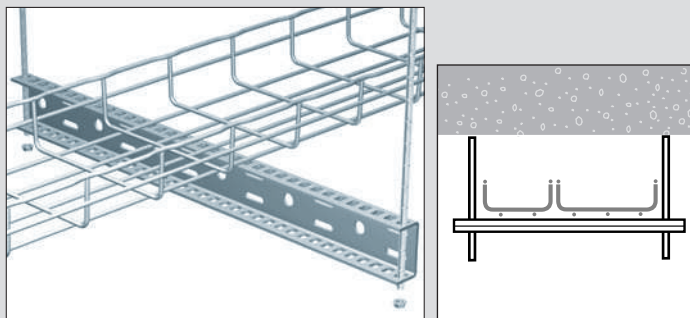
EDF – profile pendants / mounting rails

Use with threaded rod and fasteners to form a trapeze hanger to suspend 100 mm to 600 mm wide steel wire cable tray in 30 mm to 105 mm depths from the ceiling or use with PFREDF to form a pendant installation (opposite).

Can be mounted directly onto the wall for use with cantilever arms (see p. 74-75)

Supplied singly without fasteners

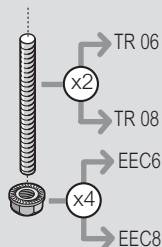
Installation



EDF mounting rails suspending wire tray from the ceiling with threaded rod and fasteners (not supplied)

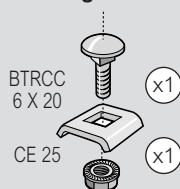
Assembly

Suspending EDF from ceiling - trapeze mounting



Use 2 x TR06 or TR08 (M6 / M8 x 3m) threaded rod and 4 x EEC6 or EEC8 (6 or 8 mm diameter) hex nuts (not supplied) to suspend EDF from ceiling

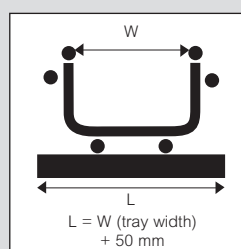
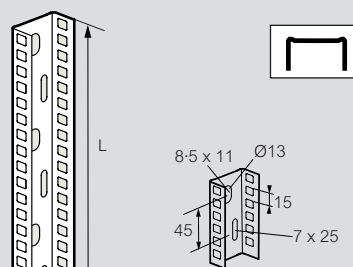
Securing EDF mounting rail to steel wire cable tray



Use 1 x BTRCC 6 x 20 and 1 x CE25 to secure 50 mm to 200 mm tray to EDF
For 300 mm to 600 mm tray use 2 x BTRCC 6 x 20 and 2 x CE25

Dimensions and weights

30 → 105 mm 100 → 600 mm



To cut the correct size EDF for trapeze hanging, add 50 mm to the chosen tray width to allow for fixing of threaded rod either side of the tray, e.g. if using 200 mm wide tray, cut EDF to 250 mm wide

EDF2000	L mm	Weight (kg)			
		GS	GC	304L	316L
	2000	2.40	2.56	2.48	2.48

Please use Cat. No. when placing your order, see p. 33

All weights are given in Kilograms (kg)

Key: GS	Pre-galvanised	304L	Stainless steel 304 L
GC	Hot dip galvanised after manufacture	316L	Stainless steel 316 L

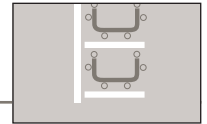
For detailed information related to finishes, refer to p. 132-133

All dimensions (mm) are nominal

→ For wall mounting : see p. 74-75

ceiling mounting – pendant

PFREDF



■ PFREDF – pendant mounting plates EDF – profile pendants / mounting rails

PFREDF

Use as a ceiling mounting plate in conjunction with EDF to form a pendant drop to suspend 100 mm to 600 mm wide steel wire cable tray in 30 mm to 105 mm depths from the ceiling via cantilever arms (see p. 72-76)

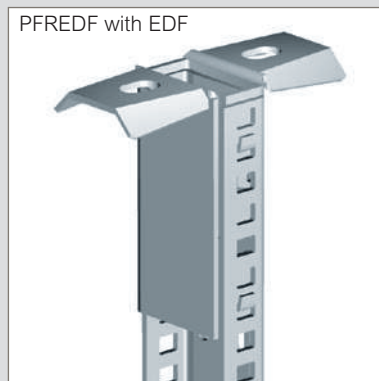
Incorporates slot and tab design for easy fixing of EDF
Supplied singly without fasteners

EDF

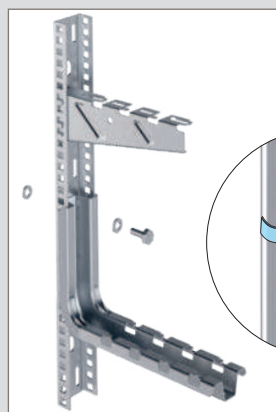
Use with threaded rod and fasteners to form a trapeze hanger to suspend 100 mm to 600 mm wide steel wire cable tray in 30 mm to 105 mm depths from the ceiling or use with PFREDF to form a pendant installation (see below)

Can be mounted directly onto the wall for use with cantilever arms (see p. 74-75)
Supplied singly without fasteners

■ Installation



PFREDF pendant mounting plate with EDF mounting rail. Secure to ceiling using fasteners (not supplied)



Cantilever arms can be mounted to one side of the EDF mounting rail. See p. 74-75

■ Assembly

Suspending EDF from ceiling - pendant mounting



Bend tabs to secure to PFREDF pendant mounting plate to EDF mounting rail.
No fasteners required



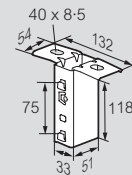
Fast assembling



Fixing without nuts and bolts

■ Dimensions and weights

30 → 105 mm 100 → 600 mm



	daN.m	Weight (kg)	
		GS	316L
PFREDF	18	0.51	0.51

Please use Cat. No. when placing your order, see p. 33

All weights are given in Kilograms (kg)

Key: **GS** Pre-galvanised

316L Stainless steel 316 L

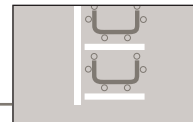
For detailed information related to finishes, refer to **p. 132-133**

All dimensions (mm) are nominal

→ For cantilever arms : see p. 72-76

ceiling mounting – pendant

R41SP – PFR41S



R41SP – pendants / mounting rails (heavy duty) PFR41S – pendant mounting plates (heavy duty)

R41SP

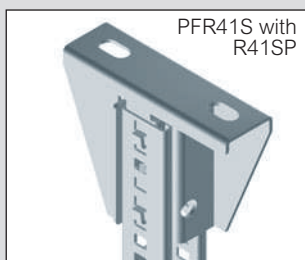
Use with PFR41S to form pendant drop to suspend 100 mm to 600 mm wide steel wire cable tray in 30 mm to 105 mm depths from the ceiling. Supplied singly without fasteners.

PFR41S

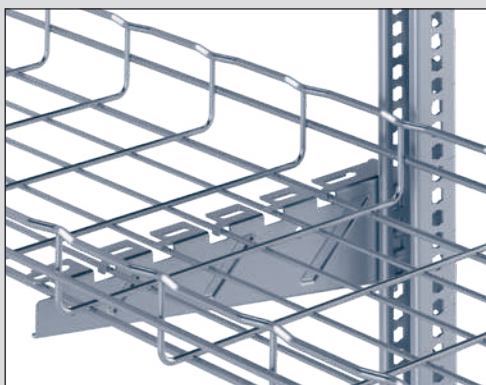
Use as a ceiling mounting plate in conjunction with EDF to form a pendant drop to suspend 100 mm to 600 mm wide steel wire cable tray in 30 mm to 105 mm depths from the ceiling via cantilever arms (see p. 72-76).

Incorporates slot and tab design for easy fixing of EDF. Supplied singly without fasteners.

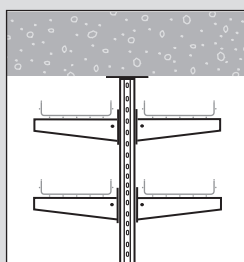
Installation



PFR41S pendant mounting plate with R41SP mounting rail. Secure to ceiling using fasteners (not supplied).



Cantilever arms can be mounted to both sides of the R41SP mounting rail. Fast fit CB cantilever arms shown (see p. 72-76 for full range).



Assembly

Suspending R41SP from ceiling - pendant mounting



Fast assembling



Fixing without nuts and bolts

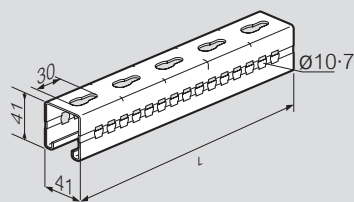
Bend tabs to secure PFR41S pendant mounting plate to R41SP mounting rail. No fasteners required.

→ For wall mounting : see p. 74-75

→ For cantilever arms : see p. 72-76

Dimensions and weights

R41SP $\downarrow \uparrow$ 30 → 105 mm $\leftarrow \rightarrow$ 100 → 600 mm

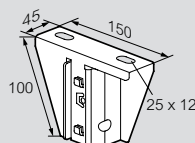


	L mm	mm	Weight (kg) GS	EZ+
R41SP3000	3 000	2	5-6	5-6

Please use Cat. No. when placing your order, see p. 33

All weights are given in Kilograms (kg)

PFR41S



Patented

	daN.m	Weight (kg) GS
PFR41S	45	0-69

Please use Cat. No. when placing your order, see p. 33

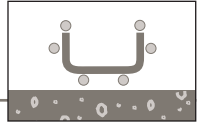
All weights are given in Kilograms (kg)

Key: **GS** Pre-galvanised

EZ+ Additional coating after electrogalvanisation (black)

For detailed information related to finishes, refer to **p. 132-133**

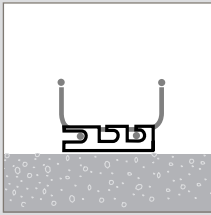
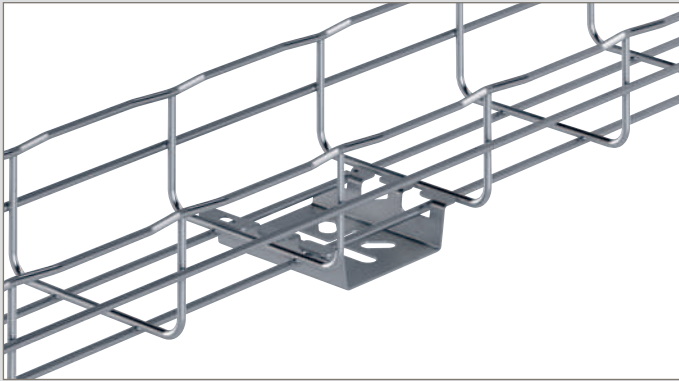
All dimensions (mm) are nominal



■ CM50XL – universal mounting plates (large)

Use to fix 100 mm to 600 mm wide steel wire cable tray in 30 mm to 150 mm depths directly to the floor
 For 200 mm and 300 mm wide tray, use 2 x CM50XL across the width
 For 400 mm to 600 mm wide tray, use 3 x CM50XL across the width
 Can also be used for wall mounting (see p. 71) and to suspend cable tray runs from the ceiling (see p. 83)
 Incorporate slot and tab design for easy fixing. Supplied singly without fasteners

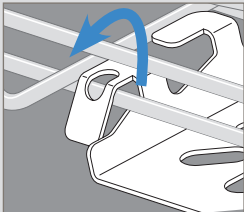
■ Installation



Mount tray runs on the floor using CM50XL and fasteners (not supplied)

■ Assembly

Securing CM50XL to steel wire cable tray



Bend tabs with pliers or screwdriver to secure to steel wire cable tray



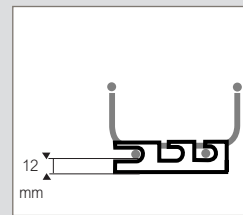
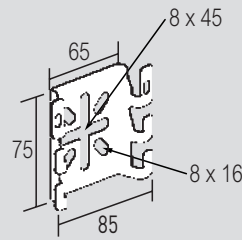
Fast assembling



Fixing without nuts and bolts

■ Dimensions and weights

↓ 30 → 150 mm ↔ 100 → 600 mm



CM50XL	↓ daN	Weight (kg)				
		GS	EZ+	GC	304L	316L
	100	0-10	0-11	0-11	0-08	0-08

Please use Cat. No. when placing your order, see p. 34

All weights are given in Kilograms (kg)

→ For wall mounting : see p. 71

→ For ceiling mounting : see p. 83

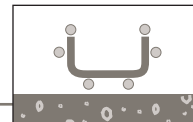
→ For ancillary mounting : see p. 102

Key: GS	Pre-galvanised	316L	Stainless steel 316 L
EZ+	Additional coating after electrogalvanisation (black)	304L	Stainless steel 304 L
GC	Hot dip galvanised after manufacture	For detailed information related to finishes, refer to p. 132-133	

All dimensions (mm) are nominal

floor mounting

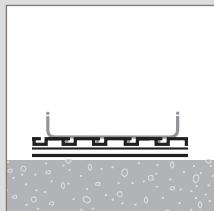
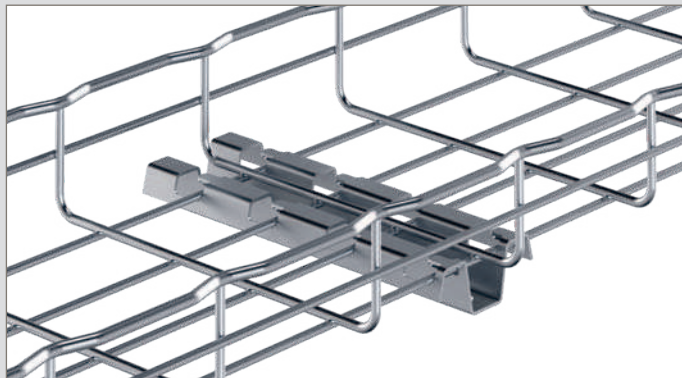
RCSN



■ RCSN – fast fix support rails

Use to fix 100 mm to 600 mm wide steel wire cable tray in 30 mm to 150 mm depths directly to the floor
 Can also be used for wall mounting (see p. 79) and to suspend cable tray runs from the ceiling (see p. 85, 88)
 Incorporate slot and tab design for easy fixing. Supplied singly without fasteners

■ Installation



Mount tray runs on the floor using RCSN and fasteners (not supplied)

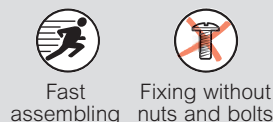
■ Assembly

Securing RCSN to steel wire cable tray



FAS
FAST ASSEMBLING SYSTEM

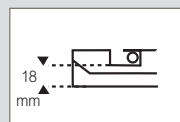
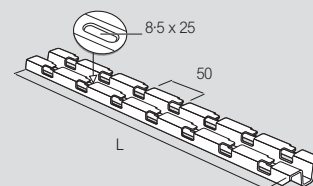
Slot base wires of the tray into the RCSN support rail and bend tabs with screwdriver to secure, as shown in the FAS diagram above



Fast assembling Fixing without nuts and bolts

■ Dimensions and weights

30 → 150 mm 100 → 600 mm



18 mm spacing from underside of base wire to floor

	L mm	Weight (kg)				
		GS	EZ+	GC	304L	316L
RCSN150	150	0.16	–	0.17	–	0.16
RCSN200	200	0.23	–	0.23	–	0.22
RCSN300	300	0.33	–	0.36	–	0.33
RCSN400	400	0.38	–	0.49	–	0.45
RCSN500	500	0.54	–	0.61	–	0.59
RCSN550	550	0.63	–	0.65	–	–
RCSN600	600	0.67	–	0.70	–	0.69
RCSN700	700	0.78	–	–	–	–
RCSN1000	1 000	1.18	–	1.23	–	1.21
RCSN2000	2 000	2.20	–	2.42	2.30	2.30
RCSN3000	3 000	3.54	3.45	3.78	3.65	3.65

Please use Cat. No. when placing your order, see p. 34

All weights are given in Kilograms (kg)

Key: GS	Pre-galvanised	316L	Stainless steel 316 L
EZ+	Additional coating after electrogalvanisation (black)	304L	Stainless steel 304 L
GC	Hot dip galvanised after manufacture	For detailed information related to finishes, refer to p. 132-133	

All dimensions (mm) are nominal

→ For wall mounting : see p. 79

→ For ceiling mounting : see p. 85, 88

→ For beam mounting : see p. 99

floor mounting

R15/25/35 – R50

■ R15/25/35 – stand-off brackets R50 – stand-off brackets

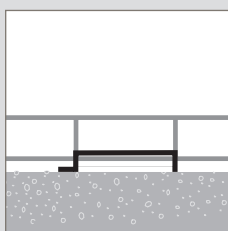
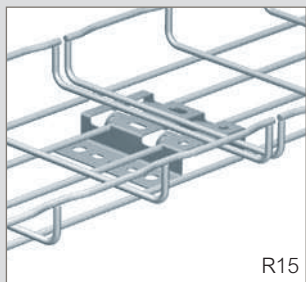
R15/25/35 - stand-off brackets

Use to fix 100 mm to 600 mm wide steel wire cable tray in 30 mm to 150 mm depths directly onto the floor. For 200 mm and 300 mm wide tray, use 2 x brackets across the width. For 400 mm to 600 mm wide tray, use 3 x brackets across the width. Can also be used for wall mounting (see p. 77). Incorporate slot and tab design for easy fixing. Supplied singly without fasteners

R50 - stand-off brackets

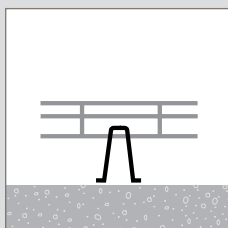
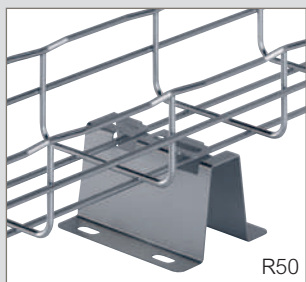
Use to fix 100 mm to 600 mm wide steel wire cable tray in 30 mm to 150 mm depths directly onto the floor. For 200 mm and 300 mm wide tray, use 2 x brackets per length. For 400 mm to 600 mm wide tray, use 3 x brackets per length. Can also be used for wall mounting (see p. 77). Incorporate slot and tab design for easy fixing. Supplied singly without fasteners

■ Installation



R15

Mount tray runs on the floor using R15/25/35 and fasteners (not supplied)



R50

Mount tray runs on the floor using R50 and fasteners (not supplied)

■ Assembly

Securing stand-off brackets to steel wire cable tray



FASLOT
FAST ASSEMBLING SYSTEM

Slot base wires of the tray into the stand-off bracket and bend tabs with screwdriver to secure, as shown in the FAS diagram above



Fast assembling



Fixing without nuts and bolts

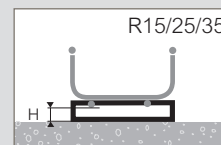
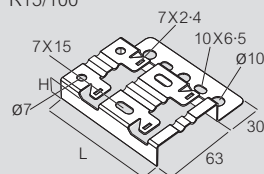
→ For wall mounting : see p. 77

→ For base coupling : see p. 65

■ Dimensions and weights

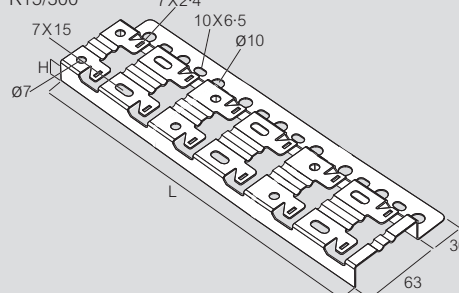
R15/25/35 \updownarrow 30 \rightarrow 150 mm \leftarrow 100 \rightarrow 600 mm

R15/100

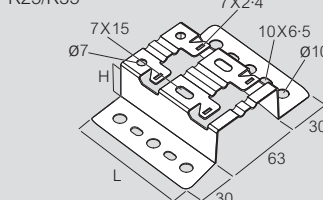


Patented

R15/300



R25/R35

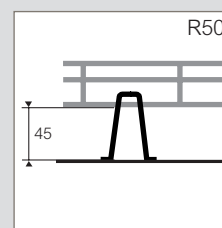
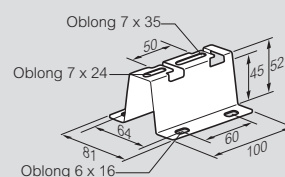


	H mm	L mm	F daN	Weight (kg)		
				GS	ZM	316L
R15/100	15	98	100	0.14	0.09	0.09
R15/300	15	300	100	0.38	0.41	–
R25	25	98	100	0.13	0.12	–
R35	35	98	50	0.15	0.14	–

Please use Cat. No. when placing your order, see p. 34

All weights are given in Kilograms (kg)

R50 \updownarrow 30 \rightarrow 150 mm \leftarrow 100 \rightarrow 600 mm



R50

	H mm	F daN	Weight (kg)		
			GS	GC	316L
R50	52	150	0.12	0.12	0.12

Please use Cat. No. when placing your order, see p. 34

All weights are given in Kilograms (kg)

Key: GS Pre-galvanised 316L Stainless steel 316 L

GC Hot dip galvanised after manufacture

ZM Zinc magnesium

For detailed information related to finishes, refer to p. 132-133

All dimensions (mm) are nominal

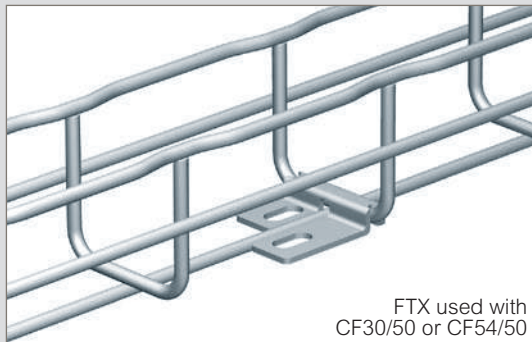
floor mounting

FTX

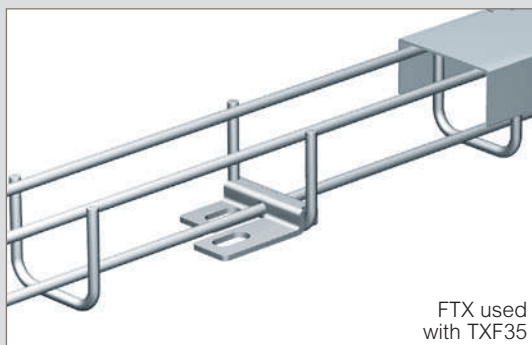
■ FTX – base fixing plates

Use to fix 35 mm to 600 mm wide steel wire cable tray in 30 mm, 54 mm and 105 mm depths directly onto the floor. For 200 mm and 300 mm wide tray, use 2 x brackets across the width. For 400 mm to 600 mm wide tray, use 3 x brackets across the width. Supplied singly without fasteners

■ Installation

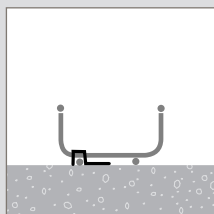
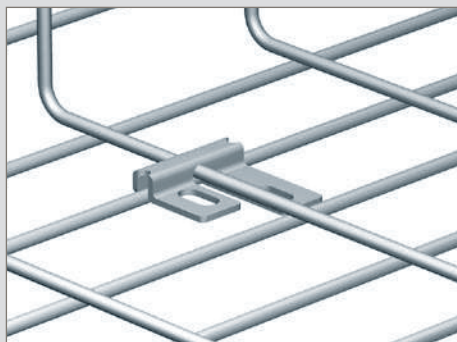


FTX used with CF30/50 or CF54/50



FTX used with TXF35

Attach FTX along the length of 50 mm wide tray and TXF35 tray. Secure to the floor using fasteners (not supplied)



Attach FTX across the width of 100 mm to 600 mm wide tray. Secure to the floor using fasteners (not supplied)

■ Assembly

Securing stand-off brackets to steel wire cable tray



Click to secure to steel wire cable tray



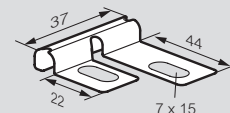
Fast assembling



Fixing without nuts and bolts

■ Dimensions and weights

↓ 30/54/105 mm ← 35 → 600 mm



	Weight (kg)		
	GS	DC	316L
FTX	0.25	0.20	0.20

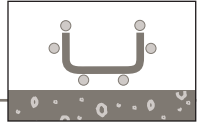
Please use Cat. No. when placing your order, see p. 35

All weights are given in Kilograms (kg)

Key: GS Pre-galvanised 316L Stainless steel 316 L
DC Zinc rich coating

For detailed information related to finishes, refer to **p. 132-133**

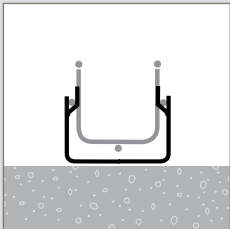
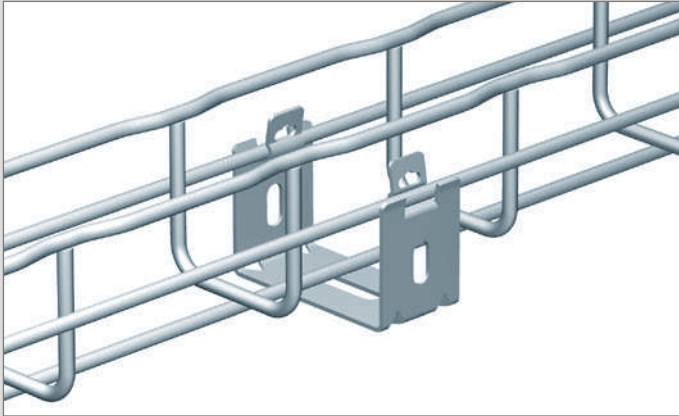
All dimensions (mm) are nominal



■ **UC50 – support cradles**

Use as a support cradle for 50 mm wide steel wire cable tray in 30 mm or 54 mm depths
 Can also be used for wall mounting (see p. 68) and to suspend cable tray runs from the ceiling (see p. 81). Supplied singly without fasteners

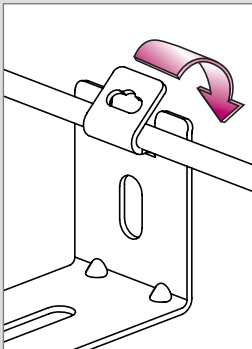
■ **Installation**



Mount directly onto floor using fasteners (not supplied)

■ **Assembly**

Securing UC50 to steel wire cable tray



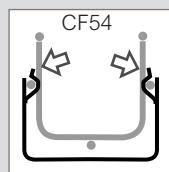
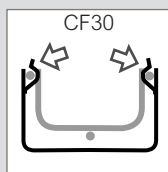
Bend tabs with pliers to secure to steel wire cable tray



Fast assembling

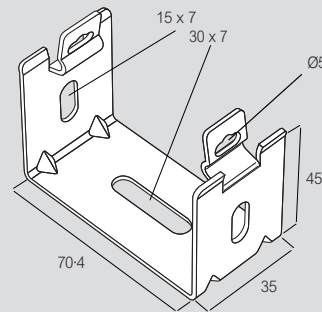


Fixing without nuts and bolts



■ **Dimensions and weights**

↑↓ 30 → 54 mm ↶↷ 50 mm



	F daN	Weight (kg)			
		GS	GC	304L	316L
UC50	12	0.06	0.07	0.06	0.06

Please use Cat. No. when placing your order, see p. 35

All weights are given in Kilograms (kg)

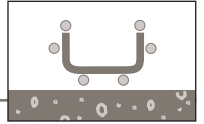
Key: GS	Pre-galvanised	304L	Stainless steel 304 L
GC	Hot dip galvanised after manufacture	316L	Stainless steel 316 L

For detailed information related to finishes, refer to **p. 132-133**

All dimensions (mm) are nominal

floor mounting

UFC – CSN – EPVCSN



■ UFC – clamp unit / CSN – profile cantilever arms

UFC - clamp unit

Use in conjunction with CSN cantilever arms or RCSN mounting rail (see p. 98) to clamp to underfloor pedestal supports, forming an underfloor support for steel wire cable tray runs. Supplied singly with U bolt and fasteners.

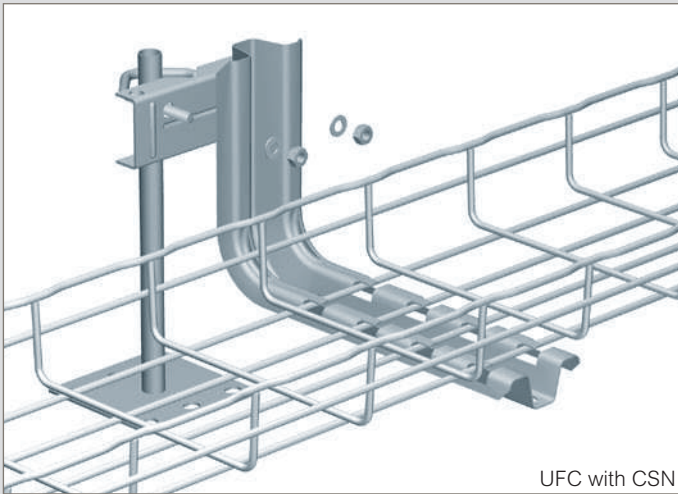
CSN - profile cantilever arms

Use to support 100 mm to 450 mm wide steel wire cable tray in 30 mm and 54 mm depths. Can be wall mounted (see p. 72) or pendant drop mounted using EDF mounting rail (see p. 89-90). Incorporate slot and tab design for easy fixing. Supplied singly without fasteners.

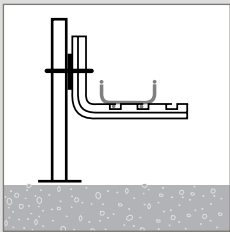
EPVCSN - end cap

PVC end cap for CSN profile cantilever arms. Supplied singly.

■ Installation



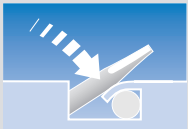
UFC with CSN



CSN is secured to UFC using U bolt and fasteners (supplied)

■ Assembly

Securing CSN to steel wire cable tray



FAS
FAST ASSEMBLING SYSTEM

Slot base wires of the tray into the cantilever arm and bend tabs with screwdriver to secure, as shown in the FAS diagram above.



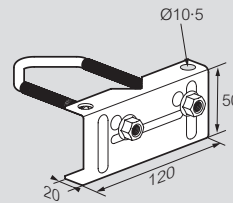
Fast assembling



Fixing without nuts and bolts

■ Dimensions and weights

UFC \downarrow 30 → 105 mm \rightarrow 100 → 600 mm



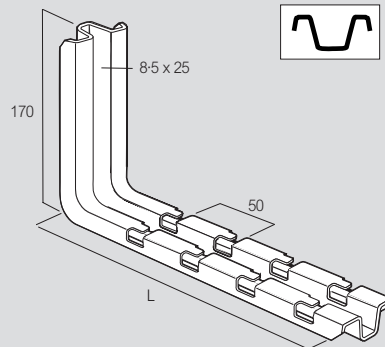
Note:
When used in conjunctions with CSN, tray widths and depths that can be supported by UFC are lower - see CSN below

	Weight (kg)
	GS
UFC	0.24

Please use Cat. No. when placing your order, see p. 35

All weights are given in Kilograms (kg)

CSN \downarrow 30 → 54 mm \rightarrow 100 → 450 mm



EPVCSN

	L mm	F daN	Weight (kg)			
			GS	GC	304L	316L
CSN100	178	30	0.37	0.40	0.40	0.40
CSN150	228	110	0.42	0.47	0.41	0.41
CSN200	278	85	0.47	0.53	0.51	0.51
CSN300	378	73	0.73	0.76	0.64	0.64
CSN400	478	56	0.82	0.92	-	-
CSN450	528	50	0.91	0.97	-	-

Please use Cat. No. when placing your order, see p. 25

All weights are given in Kilograms (kg)

EPVCSN



	Weight (kg)
	PVC
EPVCSN	0.01

Please use Cat. No. when placing your order, see p. 25

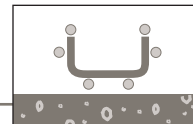
All weights are given in Kilograms (kg)

Key: GS	Pre-galvanised	304L	Stainless steel 304 L
GC	Hot dip galvanised after manufacture	316L	Stainless steel 316 L

For detailed information related to finishes, refer to p. 132-133

All dimensions (mm) are nominal

→ For cantilever arms : see p. 72-76



UFC – clamp unit / RCSN - fast fix support rails

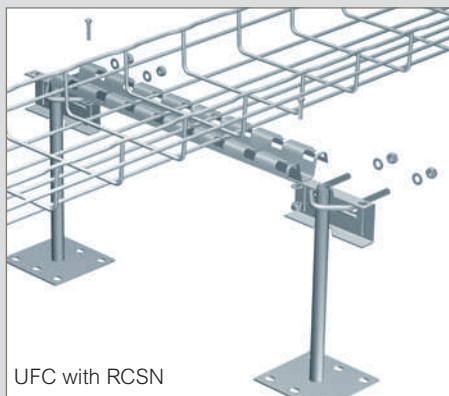
UFC - clamp unit

Use in conjunction with RCSN mounting rail or CSN cantilever arms (see p. 97) to clamp to underfloor pedestal supports, forming an underfloor support for steel wire cable tray runs. Supplied singly with U bolt and fasteners

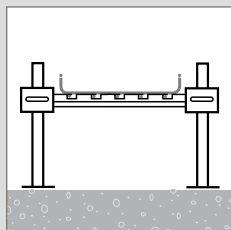
RCSN - fast fix support rails

Use to support 100 mm to 600 mm wide steel wire cable tray in 30 mm to 105 mm depths. Use in conjunction with UFC or mount directly to the floor. Can also be wall mounted (see p. 79) or to form a trapeze hanger using threaded rod (see p. 88). Incorporate slot and tab design for easy fixing. Supplied singly without fasteners

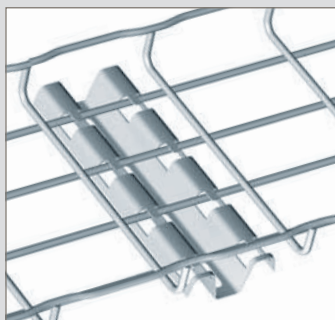
Installation



UFC with RCSN



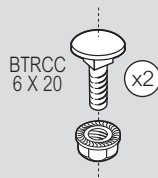
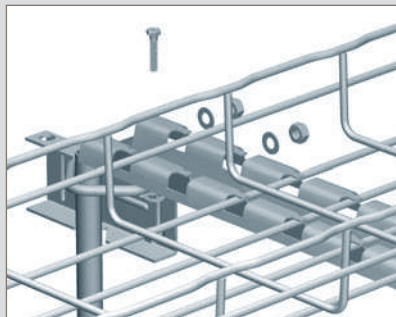
RCSN is secured to UFC using U bolt and fasteners (supplied)
Note: if 600 mm floor spacing being used, use 550 mm RCSN or below



Mount RCSN directly onto floor using fasteners (not supplied)

Assembly

Securing RCSN to UFC clamp unit



Rest RCSN on U bolt of UFC and secure down using 2 x BTRCC 6 x 20

Securing RCSN to steel wire cable tray



FAS
FAST ASSEMBLY SYSTEM



Fast assembling

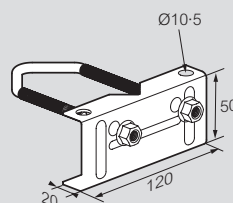


Fixing without nuts and bolts

Slot base wires of the tray into RCSN and bend tabs with screwdriver to secure, as shown in the FAS diagram above

Dimensions and weights

UFC $\downarrow \uparrow$ 30 \rightarrow 105 mm $\leftarrow \rightarrow$ 100 \rightarrow 600 mm

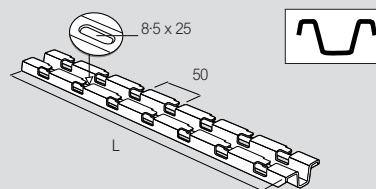


	Weight (kg)
	GS
UFC	0.24

Please use Cat. No. when placing your order, see p. 35

All weights are given in Kilograms (kg)

RCSN $\downarrow \uparrow$ 30 \rightarrow 105 mm $\leftarrow \rightarrow$ 100 \rightarrow 600 mm



	L mm	Weight (kg)				
		GS	EZ+	GC	304L	316L
RCSN150	150	0.16	–	0.17	–	0.16
RCSN200	200	0.23	–	0.23	–	0.22
RCSN300	300	0.33	–	0.36	–	0.33
RCSN400	400	0.38	–	0.49	–	0.45
RCSN500	500	0.54	–	0.61	–	0.59
RCSN550	550	0.63	–	0.65	–	–
RCSN600	600	0.67	–	0.70	–	0.69
RCSN700	700	0.78	–	–	–	–
RCSN1000	1 000	1.18	–	1.23	–	1.21
RCSN2000	2 000	2.20	–	2.42	2.30	2.30
RCSN3000	3 000	3.54	3.45	3.78	3.65	3.65

Please use Cat. No. when placing your order, see p. 34

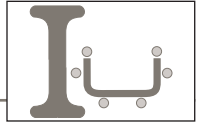
All weights are given in Kilograms (kg)

Key:	GS	Pre-galvanised	316L	Stainless steel 316 L
	EZ+	Additional coating after electrogalvanisation (black)	304L	Stainless steel 304 L
	GC	Hot dip galvanised after manufacture	For detailed information related to finishes, refer to p. 132-133	

All dimensions (mm) are nominal

beam mounting

CLMFAS – RCSN



■ CLMFAS – beam clamps / RCSN – fast fix support rails

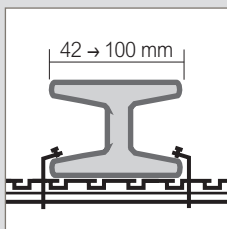
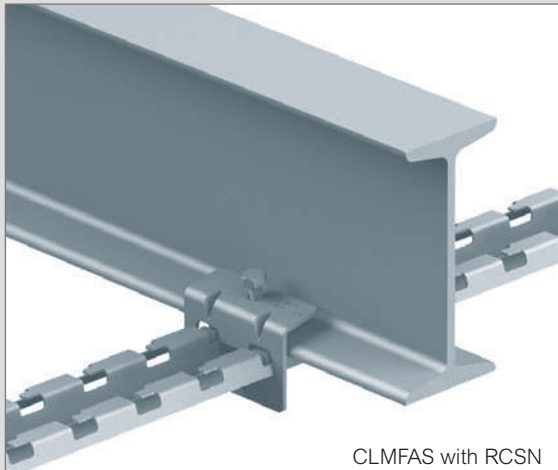
CLMFAS - beam clamps

Use as a clamp to attach RCSN mounting rail to beams
Supplied singly without fasteners

RCSN - fast fix support rails

Use to support 50 mm to 600 mm wide steel wire cable tray in 30 mm to 105 mm depths in a beam mounting situation. Can also be wall mounted (see p. 79), floor mounted (see p. 93) or used to form a trapeze hanger using threaded rod (see p. 88)
Incorporate slot and tab design for easy fixing. Supplied singly without fasteners

■ Installation



CLMFAS is secured to beams at either side with fasteners (not supplied)
RCSN fast fit support rails simply pass through the opening in the CLMFAS clamp and sit on the underside of the beam
42 mm to 100 mm wide beams can be accommodated

■ Assembly

Securing CLMFAS to beams and to RCSN



CLMFAS is secured to beams at either side with 1 X M8 x 20 fastener per clamp (not supplied).
RCSN fast fit support rails simply pass through the opening in the CLMFAS clamp and sit on the underside of the beam

Securing RCSN to steel wire cable tray



FAS
FAST ASSEMBLING SYSTEM



Fast assembling

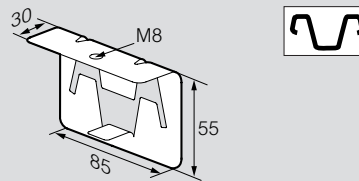


Fixing without nuts and bolts

Slot base wires of the tray into RCSN and bend tabs with screwdriver to secure, as shown in the FAS diagram above

■ Dimensions and weights

CLMFAS $\downarrow \uparrow$ 30 \rightarrow 105 mm $\leftarrow \rightarrow$ 50 \rightarrow 600 mm

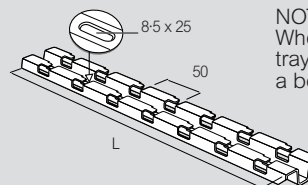


	daN.m	Weight (kg)		
		GS	ZM	316L
CLMFAS	18	0.20	0.20	0.20

Please use Cat. No. when placing your order, see p. 36

All weights are given in Kilograms (kg)

RCSN $\downarrow \uparrow$ 30 \rightarrow 105 mm $\leftarrow \rightarrow$ 100 \rightarrow 600 mm



NOTE :
When used with CLMFAS 50 mm wide tray can be supported either side of a beam

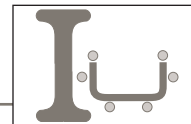
	L mm	Weight (kg)				
		GS	EZ+	GC	304L	316L
RCSN150	150	0.16	–	0.17	–	0.16
RCSN200	200	0.23	–	0.23	–	0.22
RCSN300	300	0.33	–	0.36	–	0.33
RCSN400	400	0.38	–	0.49	–	0.45
RCSN500	500	0.54	–	0.61	–	0.59
RCSN550	550	0.63	–	0.65	–	–
RCSN600	600	0.67	–	0.70	–	0.69
RCSN700	700	0.78	–	–	–	–
RCSN1000	1 000	1.18	–	1.23	–	1.21
RCSN2000	2 000	2.20	–	2.42	2.30	2.30
RCSN3000	3 000	3.54	3.45	3.78	3.65	3.65

Please use Cat. No. when placing your order, see p. 34

All weights are given in Kilograms (kg)

Key: GS	Pre-galvanised	304L	Stainless steel 304 L
EZ+	Additional coating after electrogalvanisation (black)	316L	Stainless steel 316 L
ZM	Zinc magnesium		
GC	Hot dip galvanised after manufacture		For detailed information related to finishes, refer to p. 132-133

All dimensions (mm) are nominal



■ CLMU – beam clamps / EDF – pendants / mounting rails

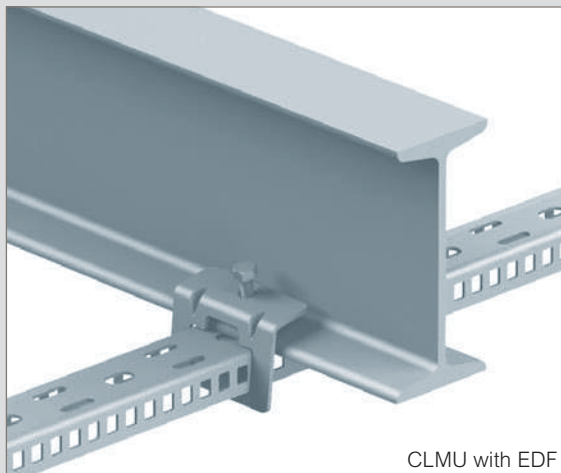
CLMU - beam clamps

Use as a clamp to attach EDF mounting rail to beams
Supplied singly without fasteners

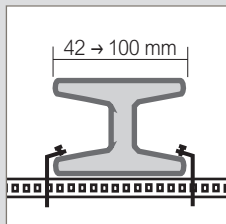
EDF - pendants / mounting rails

Use to support 50 mm to 600 mm wide steel wire cable tray in 30 mm to 105 mm depths in a beam mounting situation. Can also be wall mounted (see p. 74-75), or trapeze and pendant mounted from the ceiling (see p. 89-90)
Supplied singly without fasteners

■ Installation



CLMU with EDF



CLMU is secured to beams at either side with fasteners (not supplied)
EDF mounting rails pass through the opening in the CLMU clamp and sit on the underside of the beam
42 mm to 100 mm wide beams can be accommodated

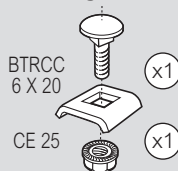
■ Assembly

Securing CLMU to beams and to EDF



CLMU is secured to beams at either side with 1 X M8 x 20 fastener per clamp (not supplied)
EDF mounting rails pass through the opening in the CLMFAS clamp, sit on the underside of the beam and are secured with the fastener

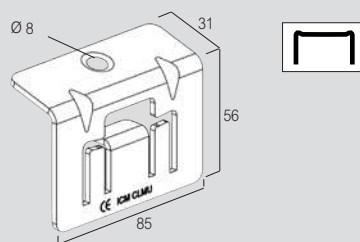
Securing EDF mounting rail to steel wire cable tray



Use 1 x BTRCC 6 x 20 and 1 x CE25 to secure 50 mm to 200 mm tray EDF
For 300 mm to 600 mm tray use 2 x BTRCC 6 x 20 and 2 x CE25

■ Dimensions and weights

CLMU \downarrow 30 → 105 mm \curvearrowright 50 → 600 mm

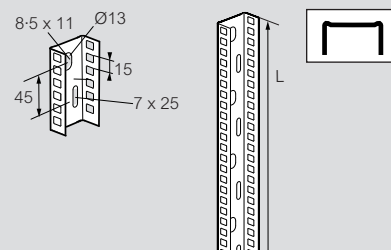


	daN.m	Weight (kg)	
		GS	ZM
CLMU	15	0.20	0.20

Please use Cat. No. when placing your order, see p. 36

All weights are given in Kilograms (kg)

EDF \downarrow 30 → 105 mm \curvearrowright 100 → 600 mm



	L mm	F daN	Weight (kg)			
			GS	GC	304L	316L
EDF600	600	50	0.77	0.83	–	–
EDF1000	1000	65	1.19	1.24	–	–
EDF2000	2000	70	2.40	2.56	2.48	2.48
EDF3000	3000	100	3.66	3.89	–	–

Please use Cat. No. when placing your order, see p. 28

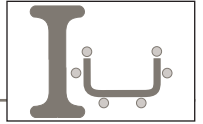
All weights are given in Kilograms (kg)

Key:	GS	Pre-galvanised	304L	Stainless steel 304 L
	ZM	Zinc magnesium	316L	Stainless steel 316 L
	GC	Hot dip galvanised after manufacture	For detailed information related to finishes, refer to p. 132-133	

All dimensions (mm) are nominal

beam mounting

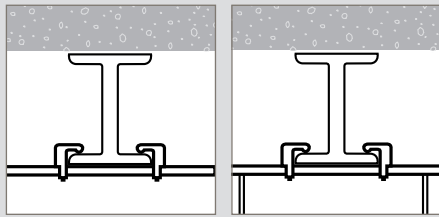
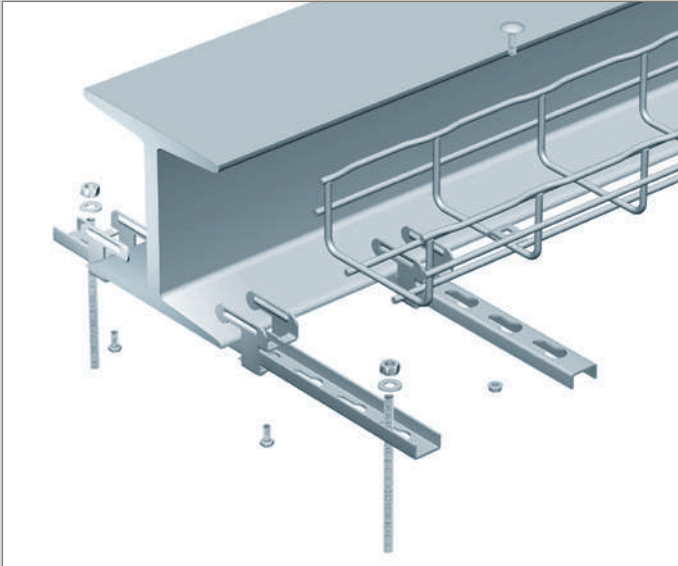
EF



EF – adjustable beam clamps

EF adjustable beam clamps can be used to support 100 mm to 300 mm wide steel wire cable tray in 30 mm to 54 mm depths along the length of a beam. Can also be used to trapeze mount cable tray using threaded rod. Supplied singly without fasteners

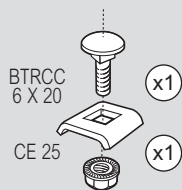
Installation



EF is secured to beams at either side with fasteners (not supplied) Steel wire cable tray can be mounted directly to the channel piece, or suspended below using threaded rod

Assembly

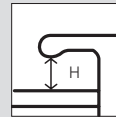
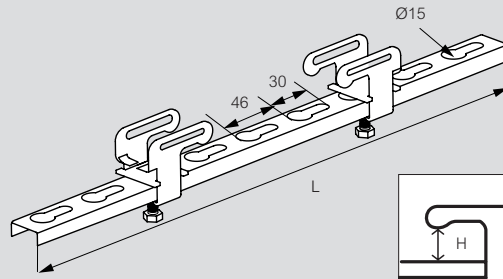
Securing EF adjustable beam clamp to steel wire cable tray



Use 1 x BTRCC 6 x 20 and 1 x CE25 to secure EF to tray

Dimensions and weights

Height: 30 → 54 mm Length: 100 → 300 mm



H denotes the adjustable height range (see table below)

	L mm	H mm	daN.m	Weight (kg) EZ
EF11/400	400	1→11	3·5	0·22
EF15/600	600	1→15	5·5	0·22

Please use Cat. No. when placing your order, see p. 36

All weights are given in Kilograms (kg)

Key: **EZ** Electrogalvanised after manufacture

For detailed information related to finishes, refer to p. 132-133

All dimensions (mm) are nominal

other mounting – universal mounting plates

CM50 – CM50XL – CAT40



■ CM50 – universal mounting plates (small) / CM50XL – universal mounting plates (large) / CAT40 – channel fixing plates

CM50 - universal mounting plates (small)

Mount to the side of steel wire cable tray as an ancillary mounting plate. Use with 50 mm to 600 mm wide steel wire cable tray in 54 mm, 105 mm and 150 mm depths. CM50 can also be used to mount cable tray to the wall (see p 71)

Incorporate slot and tab design for easy fixing

Supplied singly. No fasteners required

CM50XL - universal fixing plates (large)

Mount to the side of steel wire cable tray as an ancillary mounting plate. Use with 50 mm to 600 mm wide steel wire cable tray in 54 mm to 150 mm depths. CM50XL can also be used to mount cable tray to the wall (see p 71), floor (see p. 92) or ceiling (see p. 83)

Incorporate slot and tab design for easy fixing

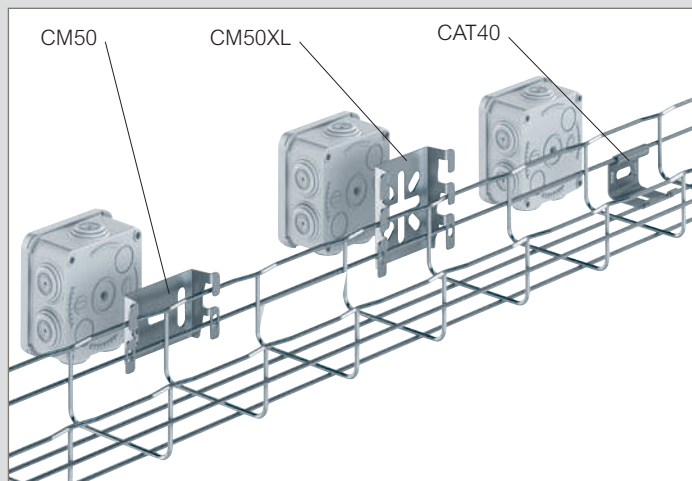
Supplied singly. No fasteners required

CAT40 - channel fixing plates

Mount to the side of steel wire cable tray as an ancillary mounting plate. Use with 50 mm to 600 mm wide steel wire cable tray in 30 mm, 54 mm and 105 mm depths. CAT40 can also be used to mount cable tray to the wall (see p. 70)

Supplied singly. No fasteners required

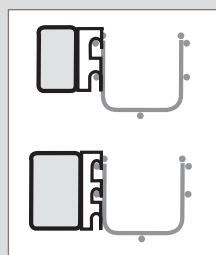
■ Installation and assembly



CM50, CM50XL and CAT40 plates are clipped onto the side rail of the tray to accommodate ancillary items. No fasteners are required to attach plates onto tray



Fixing without nuts and bolts



CM50 and CM50XL in side profile with ancillary items mounted to the flat side

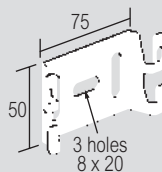
→ For wall mounting : see p. 70-71

→ For ceiling mounting : see p. 83

→ For floor mounting : see p. 92

■ Dimensions and weights

CM50 $\downarrow \uparrow$ 54 / 105 / 150 mm \curvearrowright 50 \rightarrow 600 mm

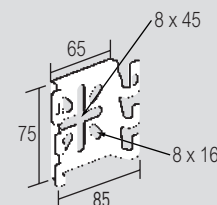


	Weight (kg)			
	GS	GC	304L	316L
CM50	0-08	0-08	0-07	0-07

Please use Cat. No. when placing your order, see p. 37

All weights are given in Kilograms (kg)

CM50XL $\downarrow \uparrow$ 54 \rightarrow 150 mm \curvearrowright 50 \rightarrow 600 mm



	Weight (kg)				
	GS	EZ+	GC	304L	316L
CM50XL	0-10	0-11	0-11	0-08	0-08

Please use Cat. No. when placing your order, see p. 37

All weights are given in Kilograms (kg)

CAT40 $\downarrow \uparrow$ 30 / 54 / 105 mm \curvearrowright 50 \rightarrow 600 mm



	Weight (kg)		
	GS	DC	316L
CAT40	0-04	0-04	0-04

Please use Cat. No. when placing your order, see p. 37

All weights are given in Kilograms (kg)

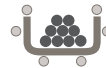
Key: GS	Pre-galvanised	DC	Zinc rich coating
EZ+	Additional coating after electrogalvanisation (black)	304L	Stainless steel 304 L
GC	Hot dip galvanised after manufacture	316L	Stainless steel 316 L

For detailed information related to finishes, refer to p. 132-133

All dimensions (mm) are nominal

other mounting – universal mounting plates

CM50XXL

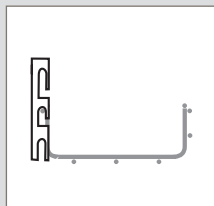
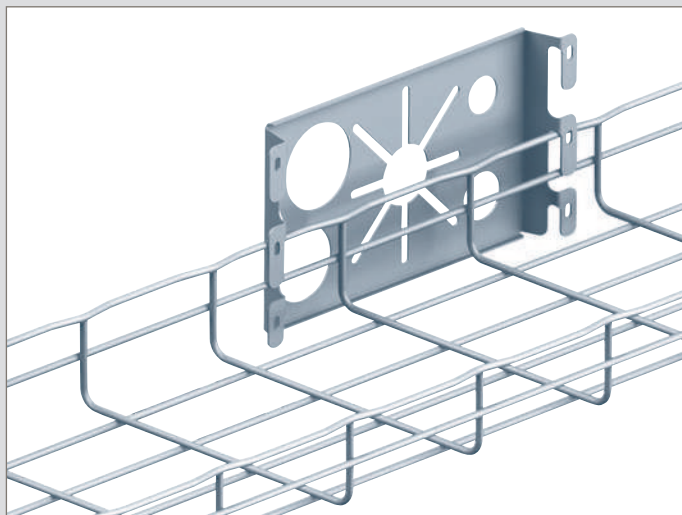


■ CM50XXL – universal mounting plates (extra large)

CM50XXL - universal mounting plates (extra large)

Mount to the side of steel wire cable tray to accept conduit or switch / junction boxes. Use with 50 mm to 600 mm wide steel wire cable tray in 30 mm to 105 mm depths. Incorporate slot and tab design for easy fixing. Supplied singly. No fasteners required

■ Installation and assembly



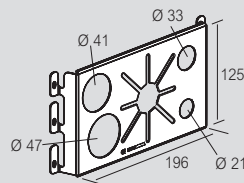
Fixing without nuts and bolts

CM50XXL is clipped onto the side rail of the tray to accommodate ancillary items
No fasteners are required to attach plates onto tray

■ Dimensions and weights

↓ 30 → 105 mm ↶ 50 → 600 mm

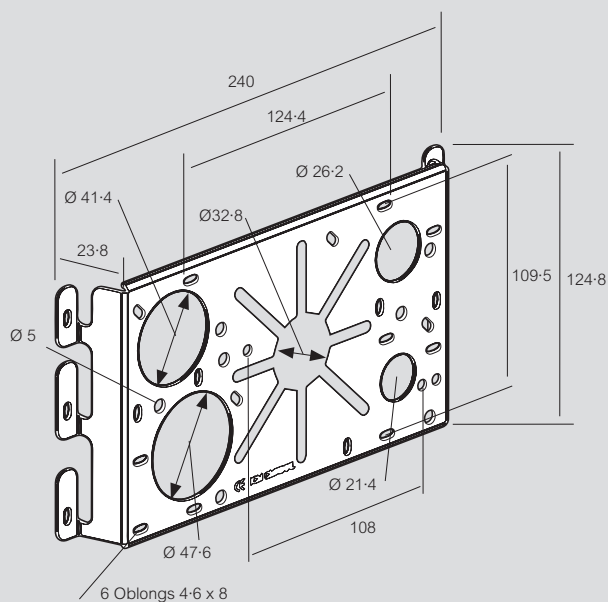
CM50XXL



	Weight (kg)	
	GS	DC
CM50XXL	0.24	0.24

Please use Cat. No. when placing your order, see p. 37

All weights are given in Kilograms (kg)

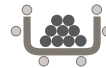


Key: **GS** Pre-galvanised

DC Zinc rich coating

For detailed information related to finishes, refer to p. 132-133

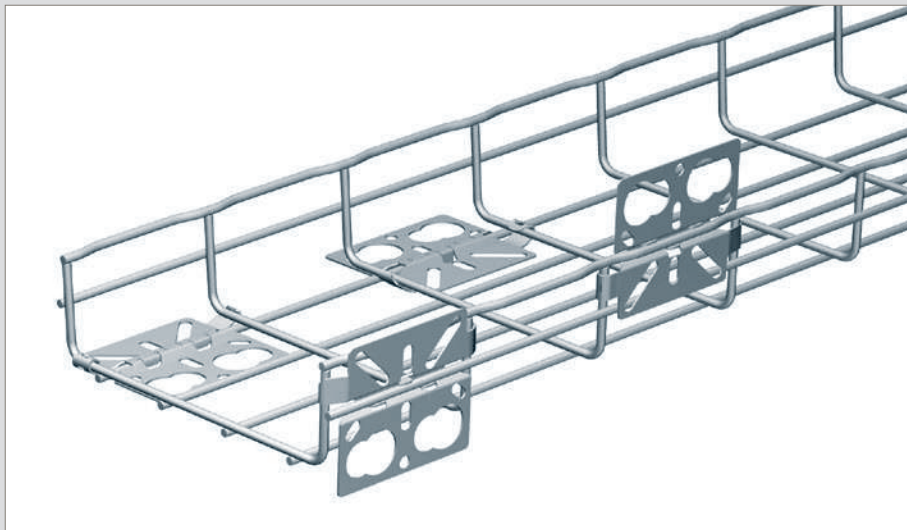
All dimensions (mm) are nominal



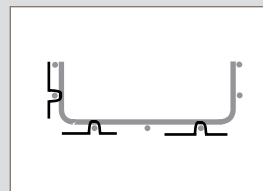
■ **SBDN – universal conduit take-off plates**

Mount to the base or side of steel wire cable tray to accept 20 mm or 25 mm diameter conduits. Use with 50 mm to 600 mm wide steel wire cable tray in 30 mm to 150 mm depths
Supplied singly without fasteners

■ **Installation and assembly**



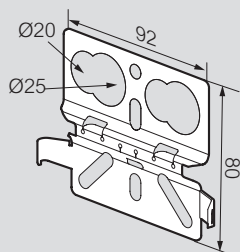
Fixing without nuts and bolts



Position SBDN using the groove and bend tabs to secure

■ **Dimensions and weights**

↓↑ 30 → 150 mm ←→ 50 → 600 mm



	Weight (kg)	
	GS	ZM
SBDN	0.2	0.2

Please use Cat. No. when placing your order, see p. 38

All weights are given in Kilograms (kg)

Key: **GS** Pre-galvanised

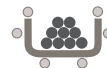
ZM Zinc magnesium

For detailed information related to finishes, refer to **p. 132-133**

All dimensions (mm) are nominal

other mounting – luminaire supports

SL50 – SL100 – MFM – MFPOLYA



■ SL50 / SL100 – luminaire supports

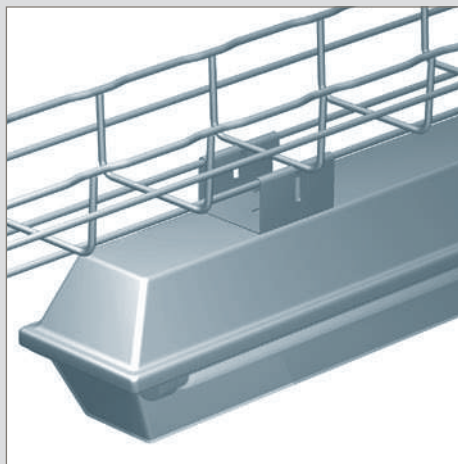
SL50

Mount to the side rails of 50 mm wide cable tray to suspend luminaires from the base of the tray run. SL50 can also be used to mount 50 mm wide cable tray to the ceiling (see p. 80)
Supplied singly without fasteners

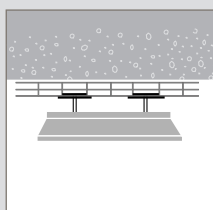
SL100

Mount to the base of steel wire cable tray to suspend luminaires from the base of the tray run
Supplied singly without fasteners

■ Installation and assembly



Fixing without nuts and bolts

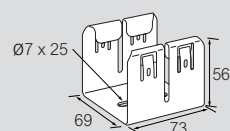


SL50 luminaire supports clip onto the side rails of the tray
SL100 luminaire supports clip onto the base wires of the tray
No fasteners required to secure bracket to tray

■ Dimensions and weights

SL 50

↕ 30 → 54 mm ↔ 50 mm



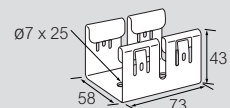
	H mm	F daN	Weight (kg) GS
SL50	56	150	0.19

Please use Cat. No. when placing your order, see p. 38

All weights are given in Kilograms (kg)

SL 100

↕ 30 → 105 mm ↔ 100 → 600 mm



	H mm	F daN	Weight (kg) GS
SL100	43	150	0.14

Please use Cat. No. when placing your order, see p. 38

All weights are given in Kilograms (kg)

Key: **GS** Pre-galvanised

For detailed information related to finishes, refer to p. 132-133

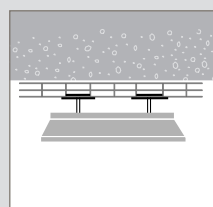
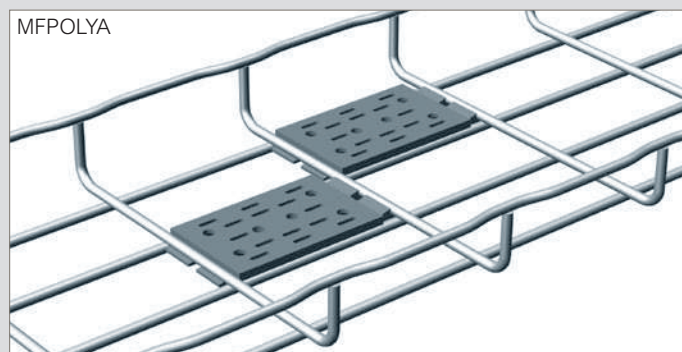
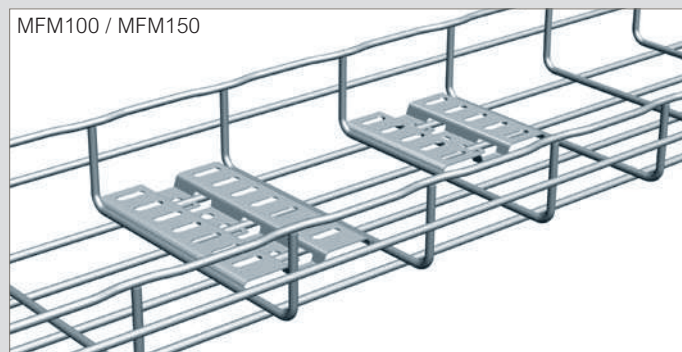
All dimensions (mm) are nominal

→ For ceiling mounting : see p. 80

■ MFM – MFPOLYA – multifix base plates

Mount inside the tray bed to allow for additional base mounting options for extra services
Supplied singly without fasteners

■ Installation and assembly



MFM100 / MFM150 and MFPOLYA can all be used to suspend luminaires from the base of the tray run

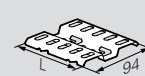


Fixing without nuts and bolts

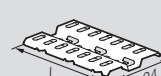
■ Dimensions and weights

↕ 30 → 150 mm ↔ 100 → 600 mm

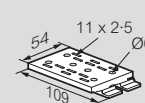
MFM100



MFM150



MFPOLYA



	L mm	Weight (kg)			
		GS	ZM	316L	POLYMIDE
MFM100	100	0.07	0.07	0.07	–
MFM150	150	0.11	0.11	–	–
MFPOLYA	109	–	–	–	0.03

Please use Cat. No. when placing your order, see p. 38

All weights are given in Kilograms (kg)

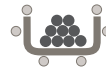
Key: **GS** Pre-galvanised

316L Stainless steel 316 L

ZM Zinc magnesium

For detailed information related to finishes, refer to p. 132-133

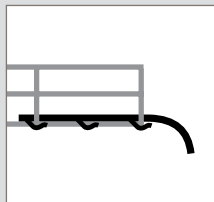
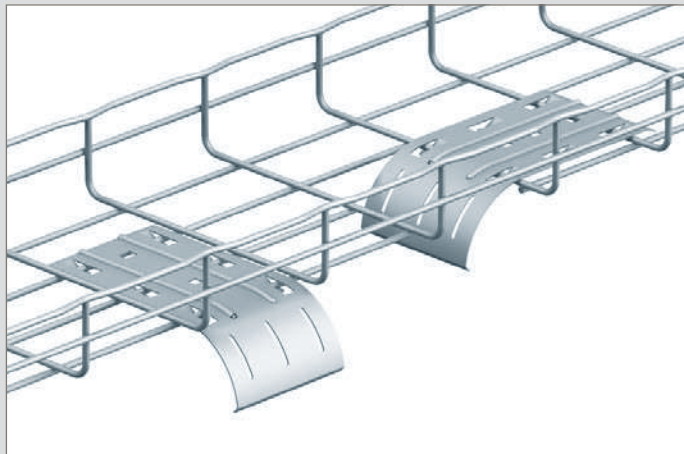
All dimensions (mm) are nominal



■ **DEV100 – cable dropout plates**

Base mounted cable dropout plate to aid cable egress
Incorporates slot and tab design for easy fixing. Supplied singly

■ **Installation and assembly**

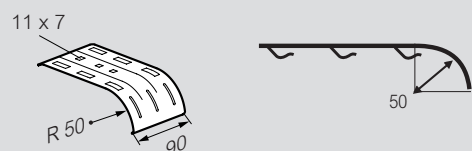


Fixing without nuts and bolts

DEV100 dropout plates are fitted inside the tray bed by folding the tabs
Can be fitted along the length of the run or across the width to enable cable egress

■ **Dimensions and weights**

↓↑ 30 → 150 mm ↔ 100 → 600 mm



	Weight (kg)		
	GS	ZM	316L
DEV100	0-17	0-14	0-13

Please use Cat. No. when placing your order, see p. 39

All weights are given in Kilograms (kg)

■ **DEV50 – dropout module**

Base mounted cable dropout module to aid cable egress
Supplied in packs of 2

■ **Installation and assembly**



Fixing without nuts and bolts

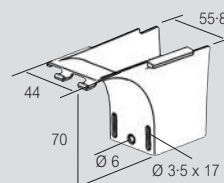
DEV50 dropout modules are fitted inside the tray bed and secured by clipping tabs into position under the base wires



Modules can be mounted in parallel due to offset tabs

■ **Dimensions and weights**

↓↑ 30 → 150 mm ↔ 100 → 600 mm



	Weight (kg)
	PLAST
DEV50	0-025

Please use Cat. No. when placing your order, see p. 39

All weights are given in Kilograms (kg)

Key: GS	Pre-galvanised	PLAST	Plastic
ZM	Zinc magnesium	For detailed information related to finishes, refer to p. 132-133	

All dimensions (mm) are nominal

cabling accessories

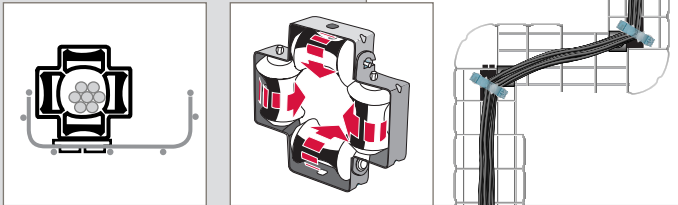
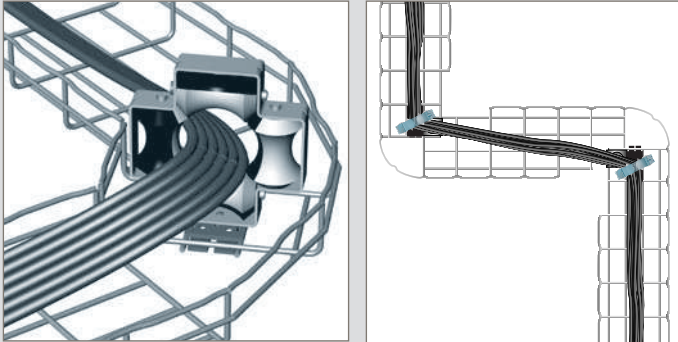
FAS ROLLER - CABLOGRIP - CLIP



■ FAS ROLLER – cabling roller

Enables the easy installation of cables into a steel wire cable tray run using the cable roller tools, mounting plates and clamps
Supplied with roller, mounting plate and clamp

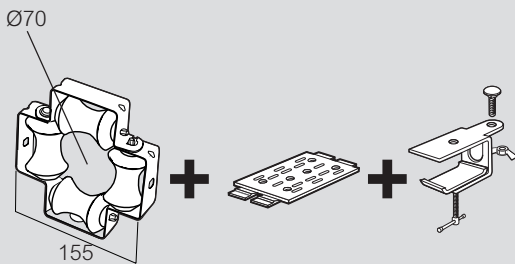
■ Installation and assembly



FASROLLER is fitted to the base of the tray at every corner

■ Dimensions and weights

⏏ 30 → 150 mm ⏏ 50 → 600 mm



	Weight (kg)
FAS ROLLER	5.01

Please use Cat. No. when placing your order, see p. 39

All weights are given in Kilograms (kg)

Key: GS Pre-galvanised

PLAST Plastic

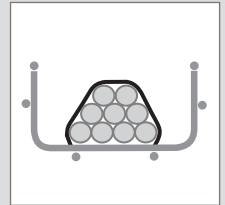
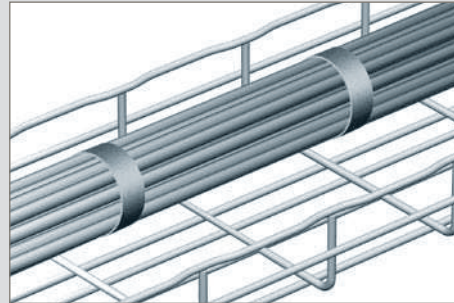
For detailed information related to finishes, refer to **p. 132-133**

All dimensions (mm) are nominal

■ CABLOGRIP – cable grip

Banding strip used to form and secure a cable bundle within a steel wire cable tray run
Supplied singly

■ Installation and assembly



CABLOGRIP forms an organised bundle of cables which can then be secured

■ Dimensions and weights

⏏ 30 → 150 mm ⏏ 100 → 600 mm



	L mm	Weight (kg)
CABLOGRIP	5 000	0.93

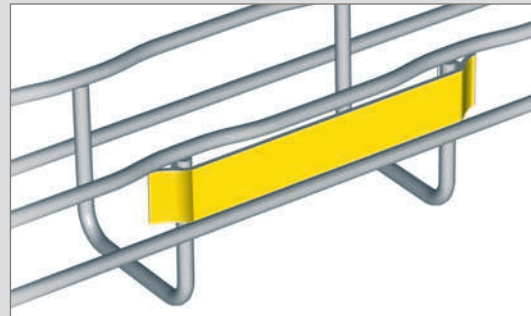
Please use Cat. No. when placing your order, see p. 39

All weights are given in Kilograms (kg)

■ CLIP - identification tags

Coloured identification tag attaches to the side of steel wire cable tray
Supplied in packs of 50

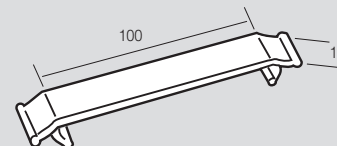
■ Installation and assembly



CLIP identification clips attach to the side rail of the tray run
No fasteners required

■ Dimensions and weights

⏏ 30 → 150 mm ⏏ 50 → 600 mm



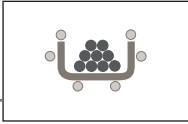
	Weight (kg)
CLIPJ 	0.01
CLIPV 	0.01
CLIPB 	0.01
CLIPO 	0.01
CLIPG 	0.01
CLIPP 	0.01
CLIPR 	0.01
CLIPW 	0.01
CLIPN 	0.01

Please use Cat. No. when placing your order, see p. 39

All weights are given in Kilograms (kg)

cablings accessories

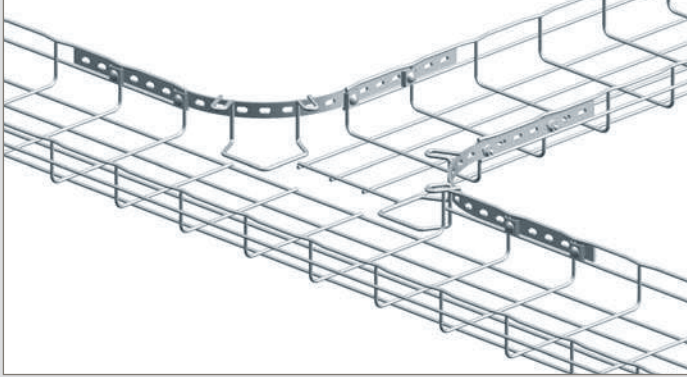
PA



■ PA - radius support

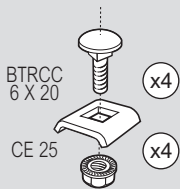
Used as a corner assembly in conjunction with site fabricated fittings
Supplied singly without fasteners

■ Installation



PA fitted to form a radius support for site fabricated bends to ensure a smooth bending. Fasteners required (not supplied)

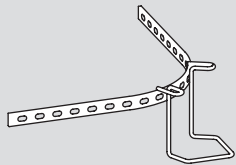
■ Assembly



Use 4 x BTRCC 6 x 20 and 1 x CE25 to secure PA to tray

■ Dimensions and weights

↑↓ 30 / 54 / 105 mm ←→ 50 → 600 mm



	H mm	Weight (kg)	
		EZ	GC
PA1	30	0.25	0.29
PA2	54	0.27	0.31
PA4	105	0.29	0.33

Please use Cat. No. when placing your order, see p. 39

All weights are given in Kilograms (kg)

Key: EZ Electrogalvanised after manufacture

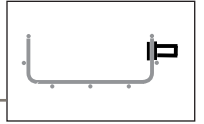
GC Hot dip galvanised after manufacture

For detailed information related to finishes, refer to **p. 132-133**

All dimensions (mm) are nominal

earthing

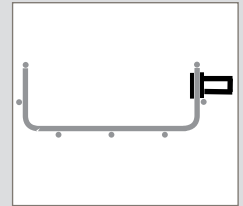
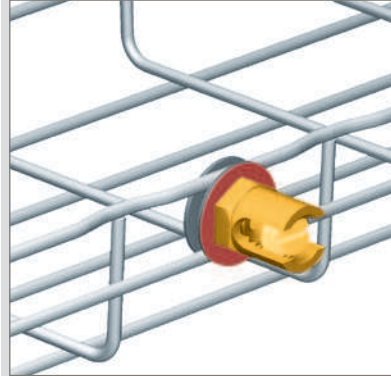
BLF



■ BLF – earth conductor clamps (copper)

Side mounted earth conductor clamp fits directly to side wires of 30 mm, 54 mm and 105 mm depth steel wire cable tray. For 80 mm and 150 mm depth use in conjunction with SBU support (see p. 109)
Use for protective conductors with a cross section of 16, 35 and 50 mm². Supplied in packs of 10

■ Installation

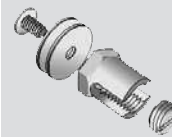


BLF attaches to side rail of tray

When using BLF with pre-galvanised or hot dip galvanised trays, ensure that the aluminium face of the washer is in contact with the tray or SBU support

When using BLF with stainless steel tray, ensure that the copper face of the washer is in contact with the tray or SBU support

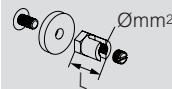
■ Assembly



Clamp in place with the earthing point outside of the tray

■ Dimensions and weights

↑↓ 30 → 150 mm ←→ 50 → 600 mm



	L mm	Ø mm ²	Weight (kg)
			CU
BLF6/16	19	16	0.04
BLF6/35	22	35	0.05
BLF6/50	26	50	0.06

Please use Cat. No. when placing your order, see p. 40

All weights are given in Kilograms (kg)

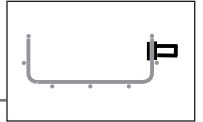
Key: CU Copper

For detailed information related to finishes, refer to **p. 132-133**

All dimensions (mm) are nominal

earthing

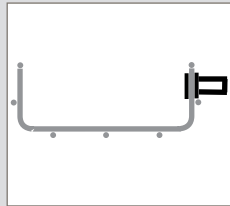
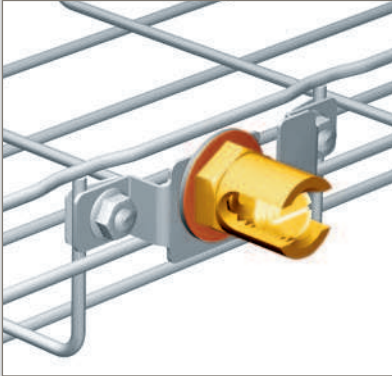
SBU - GRIFEQUIP - GRIFEQUIP 2



■ SBU – earth conductor clamp support

Use to support BLF earth conductor

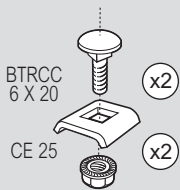
■ Installation



BLF is mounted on SBU fixed to side rail of tray

■ Assembly

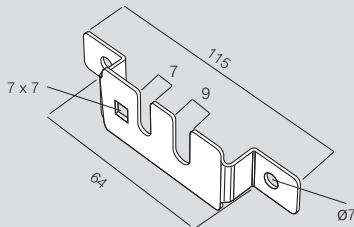
Clamp BLF to SBU as shown above



Use 2 x BTRCC 6 x 20 and 2 x CE25 to secure SBU to tray

■ Dimensions and weights

30 → 150 mm 50 → 600 mm



SBU	Weight (kg)		
	GS	GC	316L
	0-03	0-04	0-03

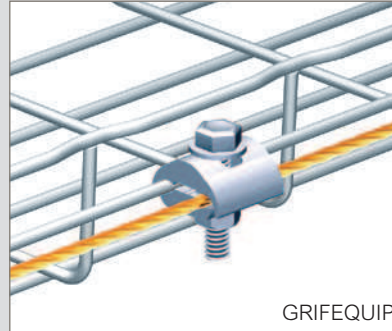
Please use Cat. No. when placing your order, see p. 40

All weights are given in Kilograms (kg)

■ GRIFEQUIP – earth conductor clamp (aluminium) GRIFEQUIP 2 – vertical earth clamp (aluminium)

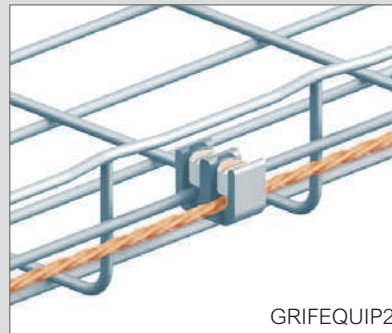
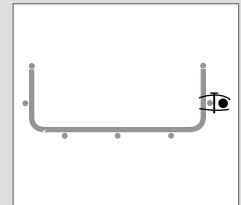
Side mounted earth conductor clamp fits directly to steel wire cable tray. Use for protective conductors with a cross section of between 6 and 35 mm²
For use with EZ and GC finishes only
Supplied singly

■ Installation



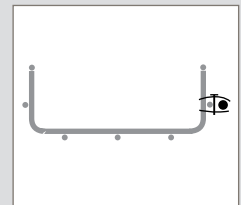
GRIFEQUIP

GRIFEQUIP clamps to the side rail of tray



GRIFEQUIP2

GRIFEQUIP2 clamps to the side rail of tray



■ Dimensions and weights

30 / 54 / 105 mm 50 → 600 mm

GRIFEQUIP



Ø – 6 X 35 mm²

GRIFEQUIP 2



Ø – 6 X 35 mm²

	Weight (kg)
	AL
GRIFEQUIP	0-02
GRIFEQUIP2	0-04

Please use Cat. No. when placing your order, see p. 40

All weights are given in Kilograms (kg)

Key: GS	Pre-galvanised	316L	Stainless steel 316 L
GC	Hot dip galvanised after manufacture	AL	Aluminium

For detailed information related to finishes, refer to p. 132-133

All dimensions (mm) are nominal

installati guide





INSTALLATION GUIDE

HOW TO CUT STEEL WIRE CABLE TRAY

Using manual croppers	112
Installing FASLOCK AUTO and fixing kits	113

CREATING RADIUS BENDS

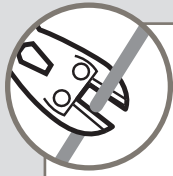
Large radius bends using FASLOCK AUTO	114 - 115
Large radius bends using fixing kits	116 - 117
Small radius bends	118 - 119

FABRICATING OTHER FITTINGS

Right angle bends	120 - 121
T-junction or crossover at right angles	122 - 123
T-junction or crossover with gusset	124 - 125
Reducers	126
Changing level	127



■ How to cut a cable tray



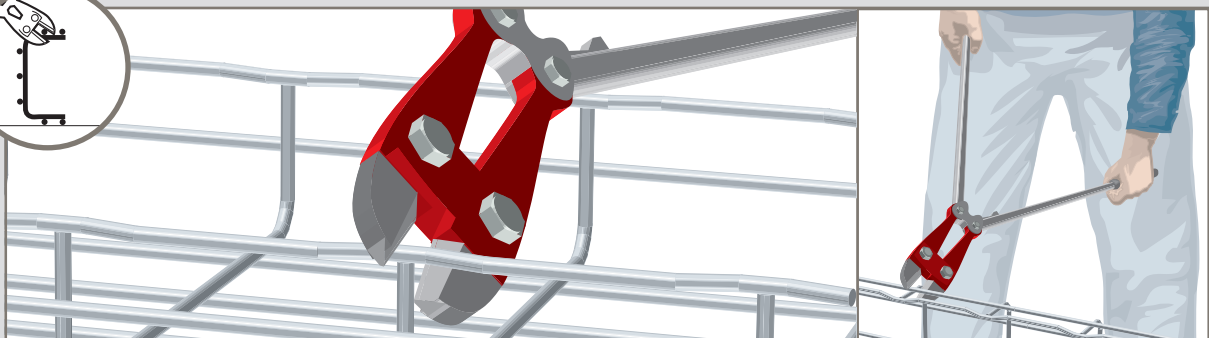
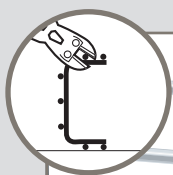
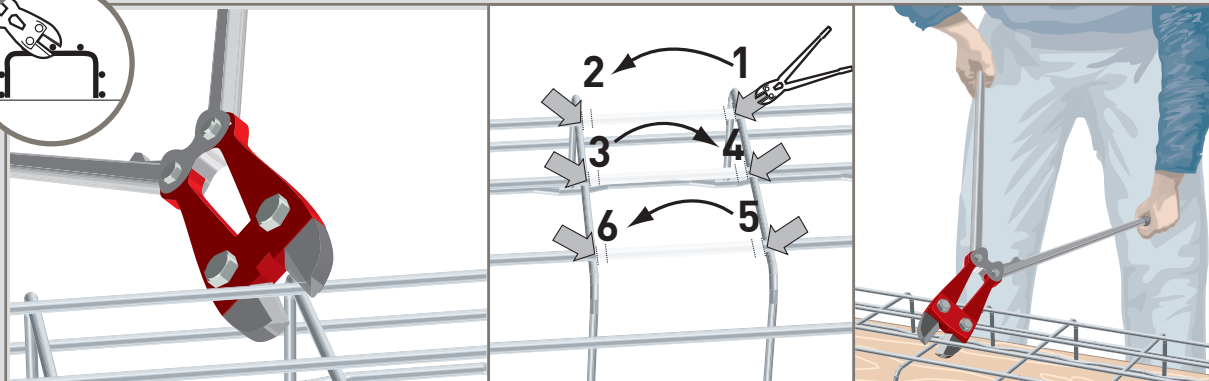
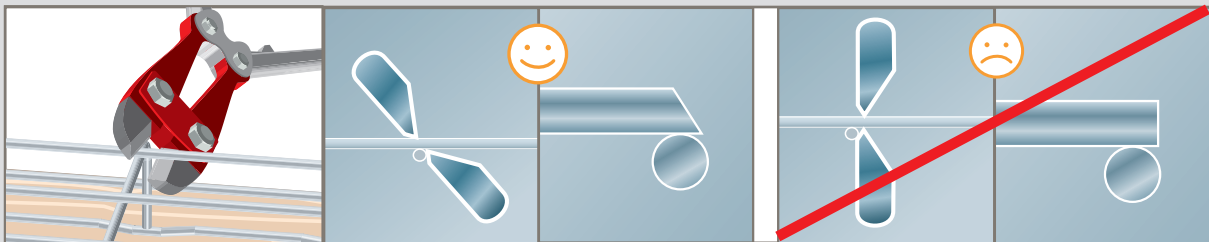
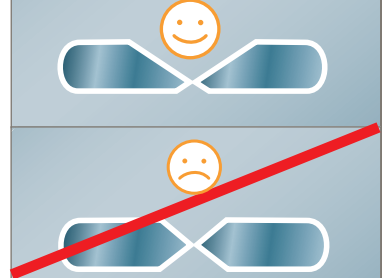
Coupefilgm - croppers



Cat. No.	L mm	KG kg
CM559507	630	2.7

→ Coupefilgm : see p. 41

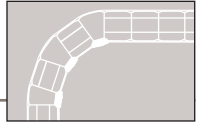
Off-set jaw arrangement



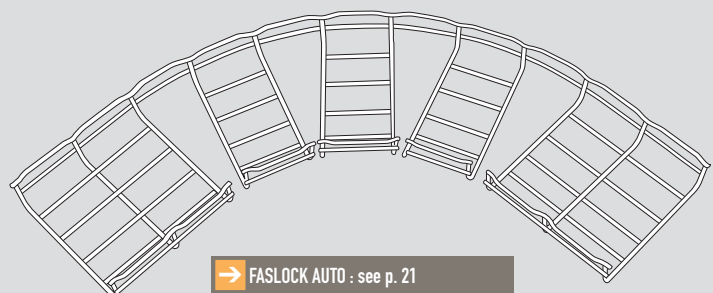
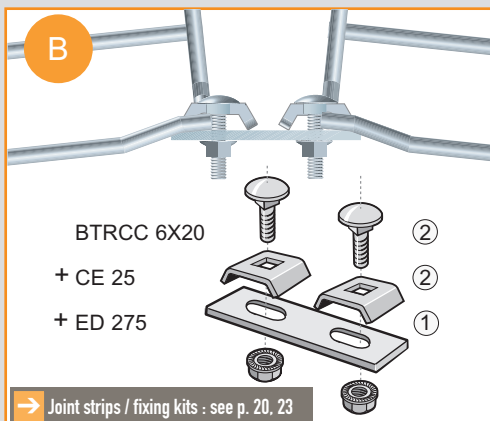
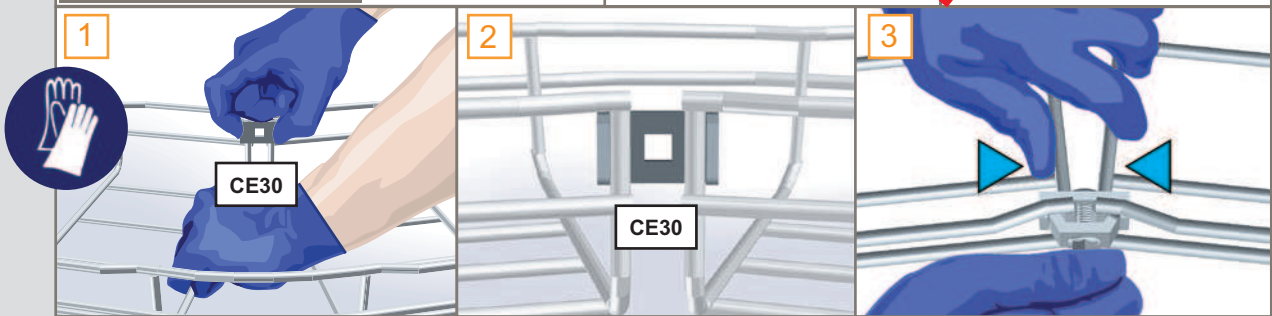
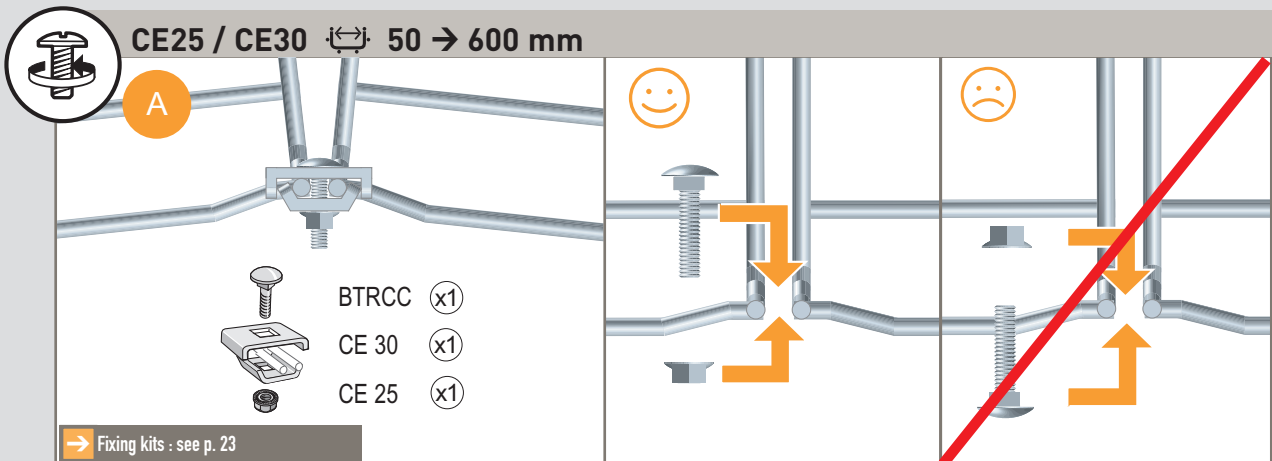
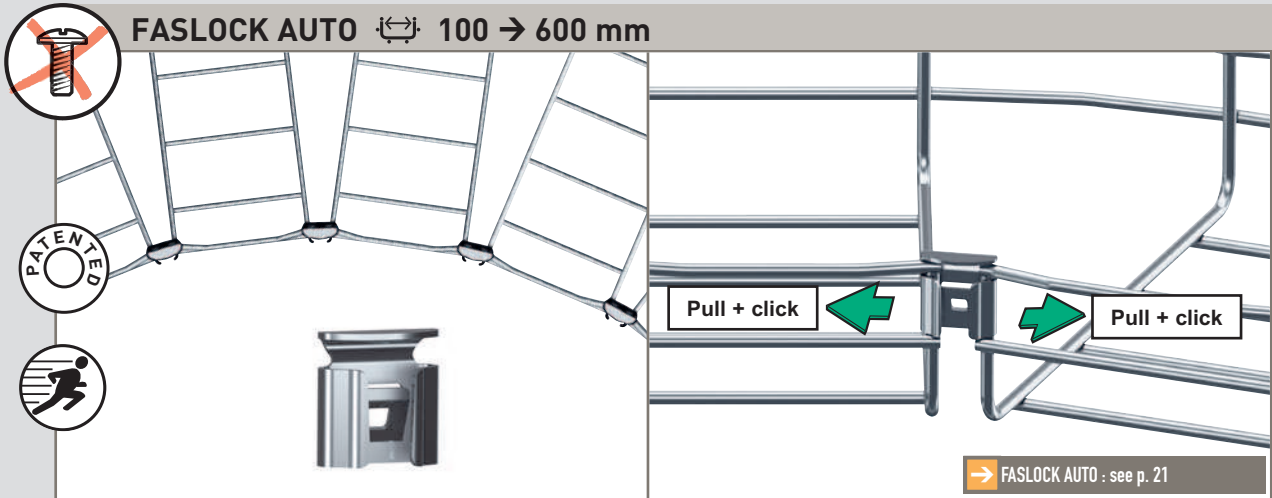
All dimensions (mm) are nominal

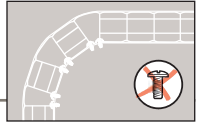
cable tray installation

technical information


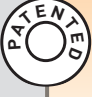




How to cut a cable tray (continued)



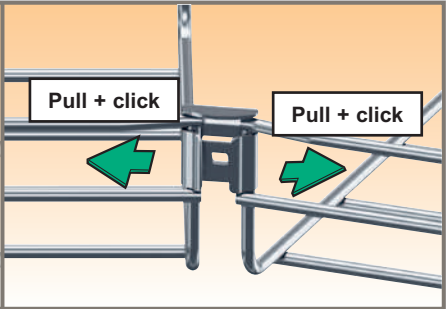


■ Large radius bends using FASLOCK AUTO

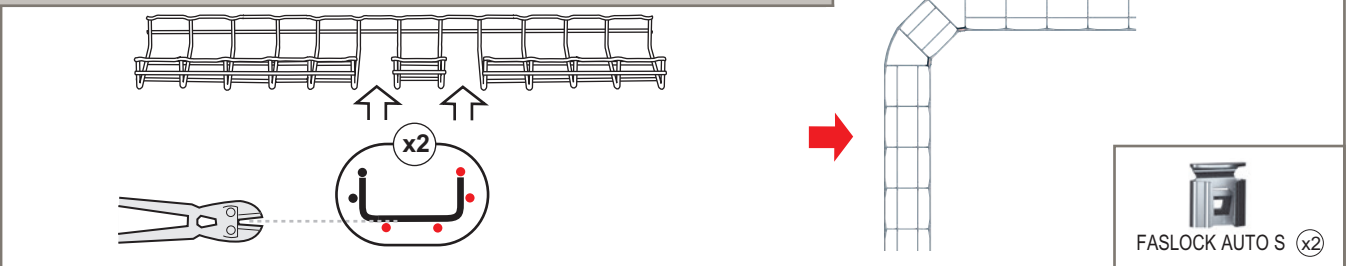


FASLOCK AUTO



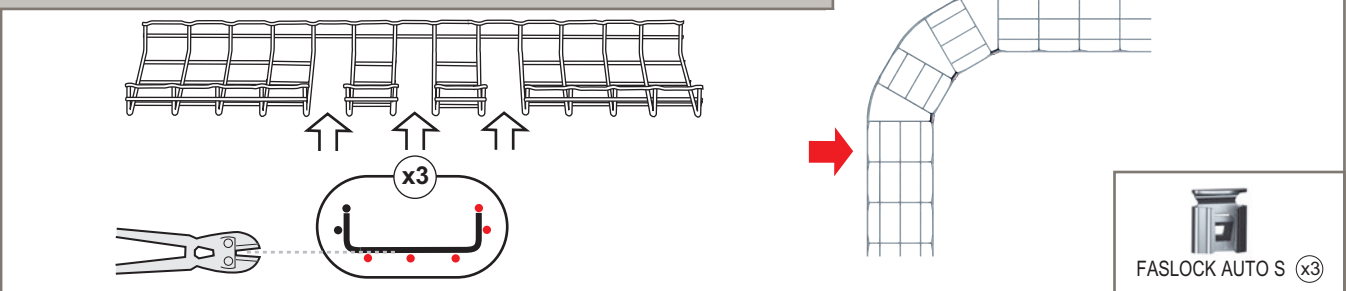
FASLOCK AUTO S $\leftarrow \rightarrow$ 100 -> 200 mm
 FASLOCK AUTO XL $\leftarrow \rightarrow$ 300 -> 600 mm

$\leftarrow \rightarrow$ 100 mm



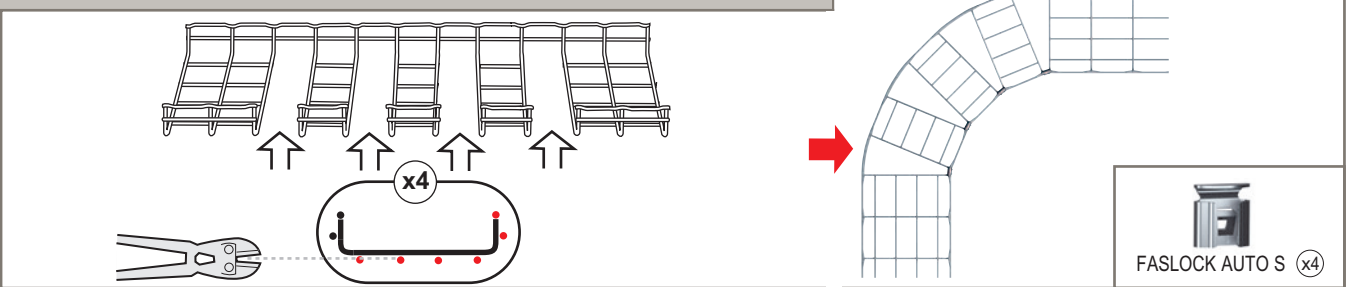
FASLOCK AUTO S (x2)

$\leftarrow \rightarrow$ 150 mm



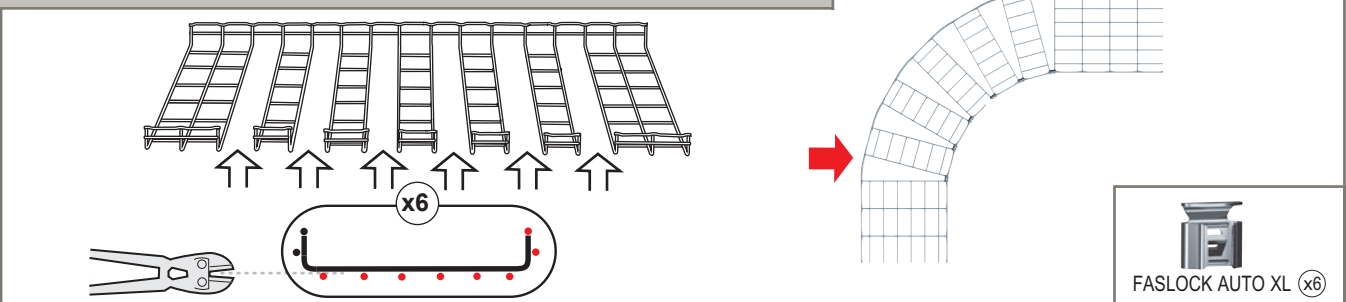
FASLOCK AUTO S (x3)

$\leftarrow \rightarrow$ 200 mm



FASLOCK AUTO S (x4)

$\leftarrow \rightarrow$ 300 mm



FASLOCK AUTO XL (x6)

All dimensions (mm) are nominal

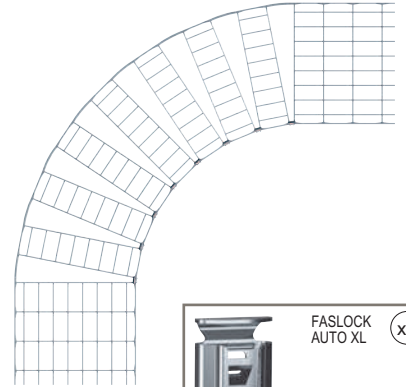
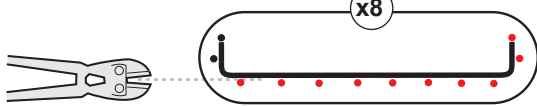
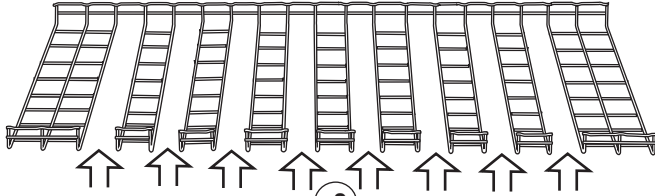
cable tray installation

technical information

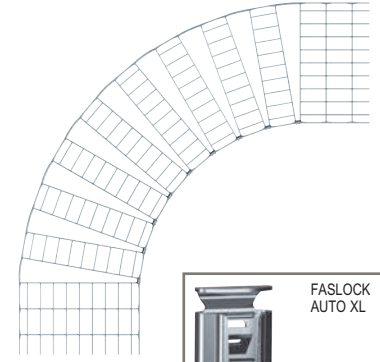
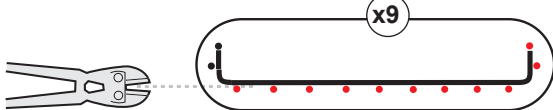
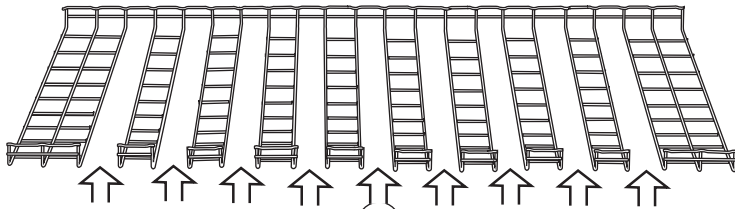


Large radius bends using FASLOCK AUTO (continued)

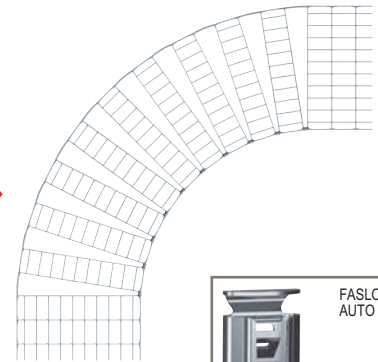
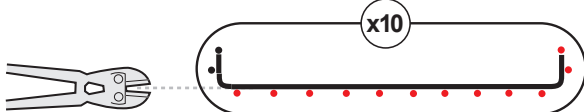
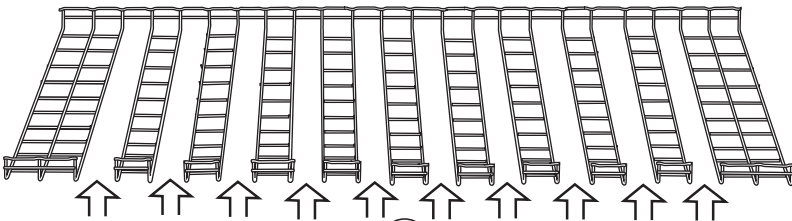
↔ 400 mm



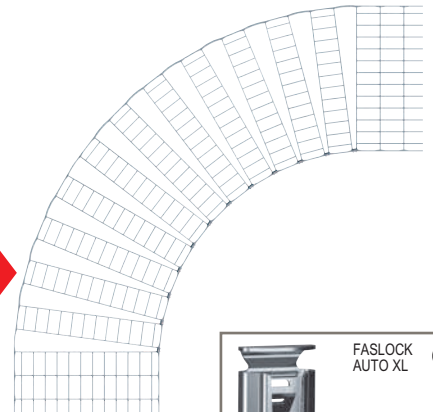
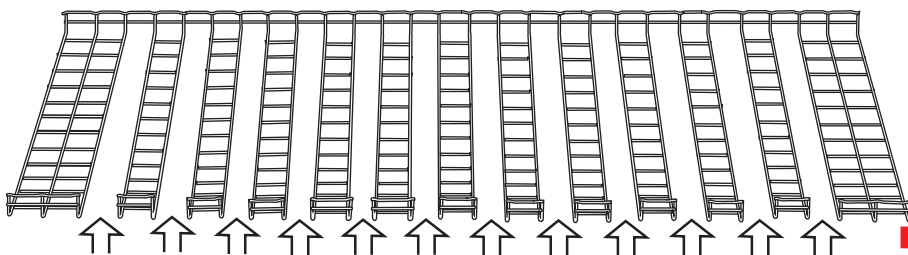
↔ 450 mm

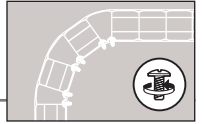


↔ 500 mm



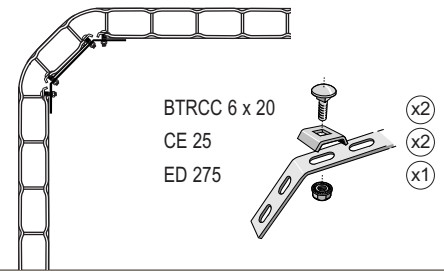
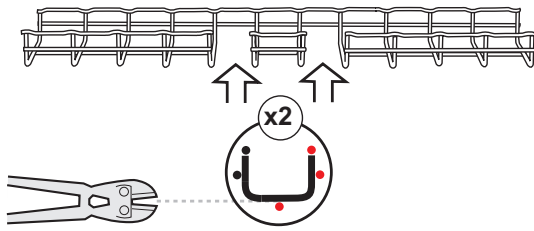
↔ 600 mm



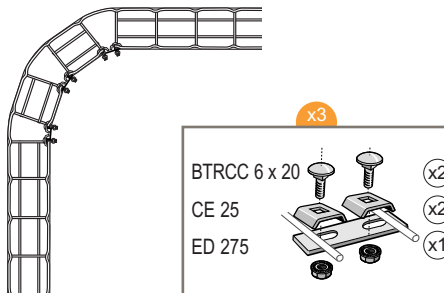
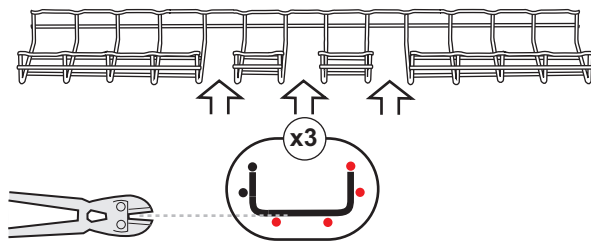


■ Large radius bends using fixing kits

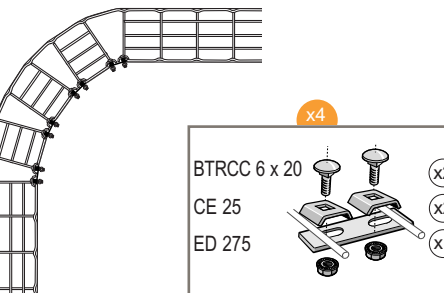
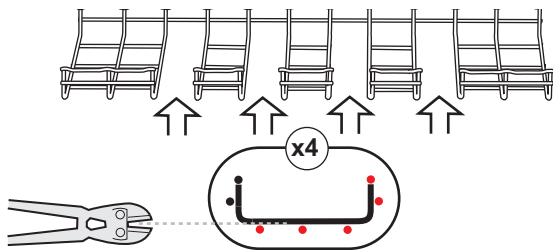
↩ 50 mm



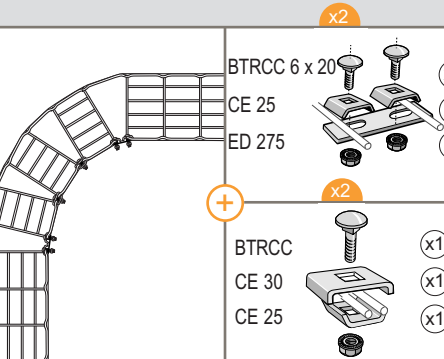
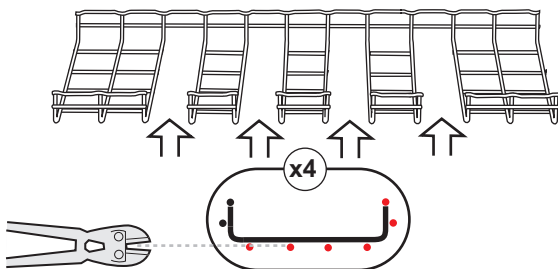
↩ 100 mm



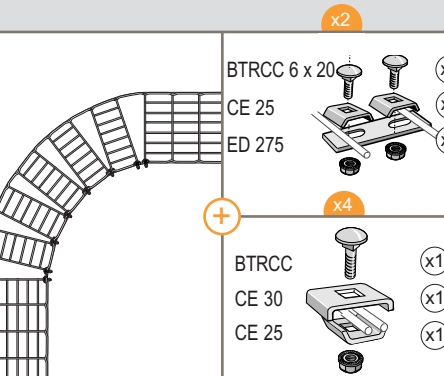
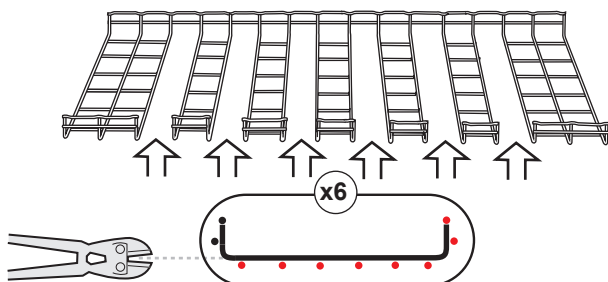
↩ 150 mm



↩ 200 mm



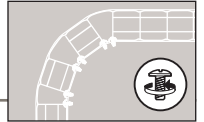
↩ 300 mm



All dimensions (mm) are nominal

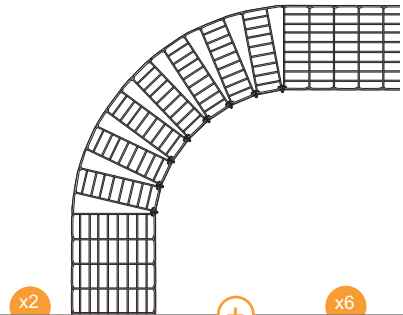
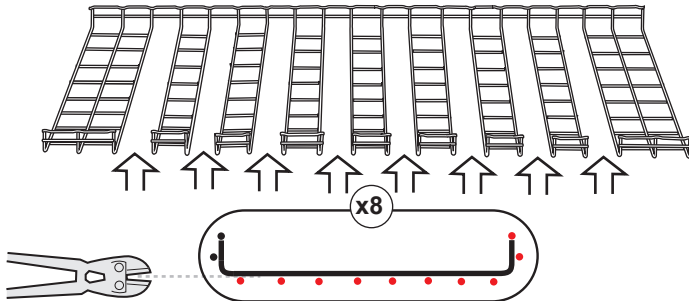
cable tray installation

technical information



Large radius bends using fixing kits (continued)

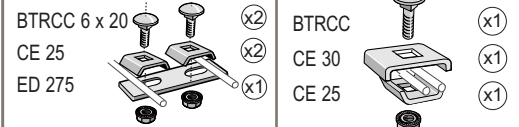
\curvearrowright 400 - 450 mm



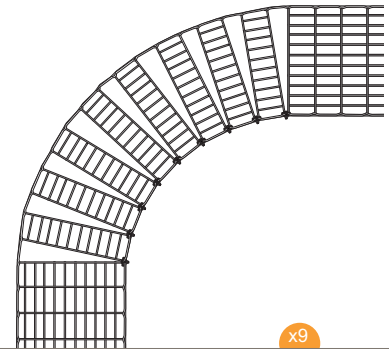
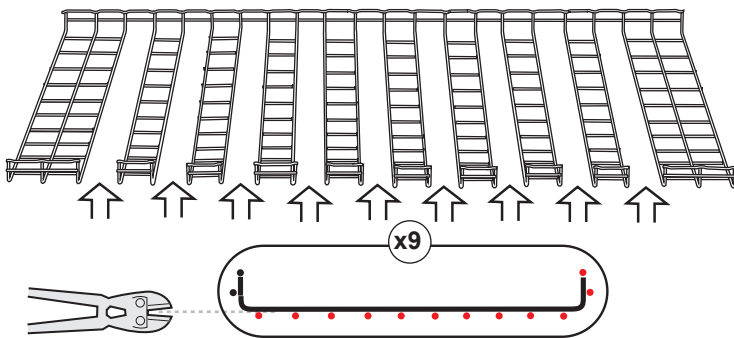
x2

+

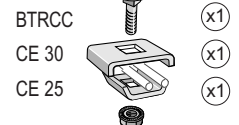
x6



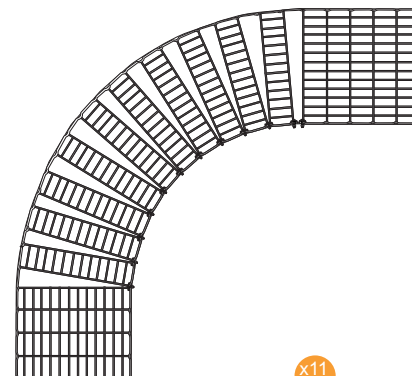
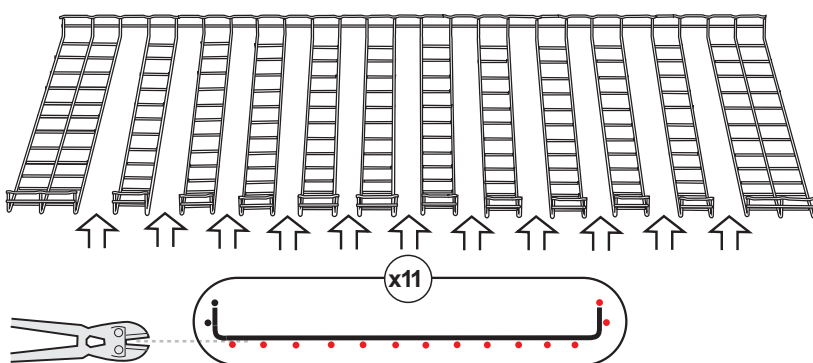
\curvearrowright 500 mm



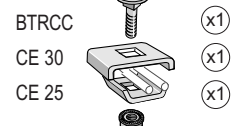
x9

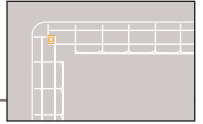


\curvearrowright 600 mm



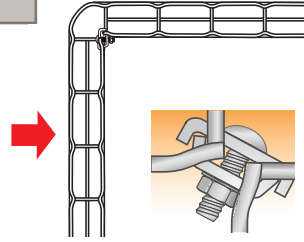
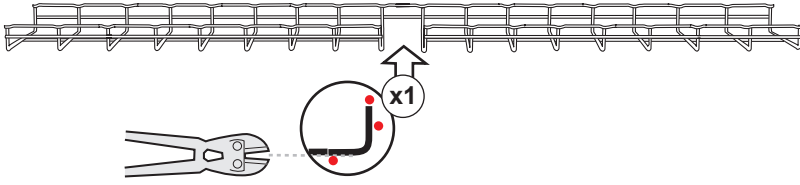
x11





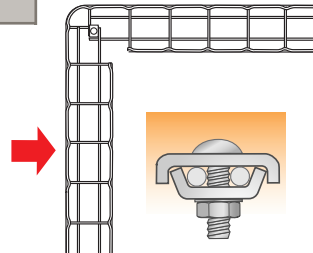
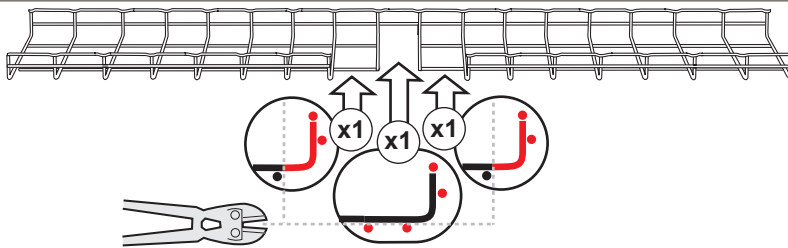
■ Small radius bends

↩↪ 50 mm



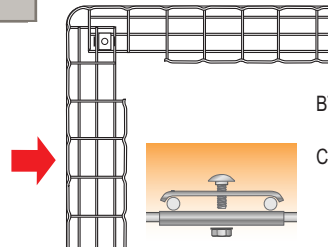
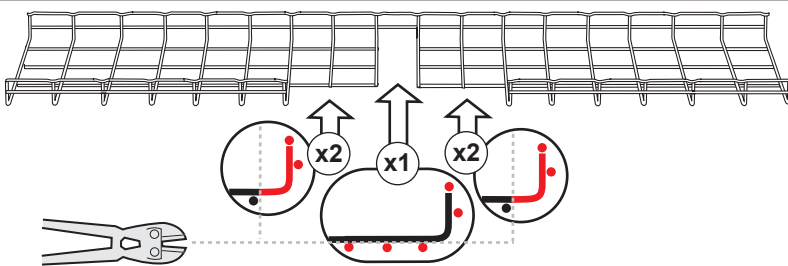
- BTRCC 6x20 (x1)
- CE 30 (x1)
- CE 25 (x1)

↩↪ 100 mm



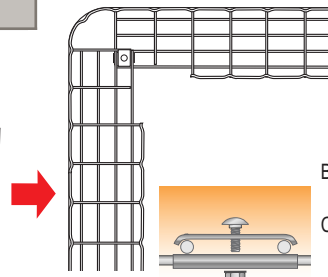
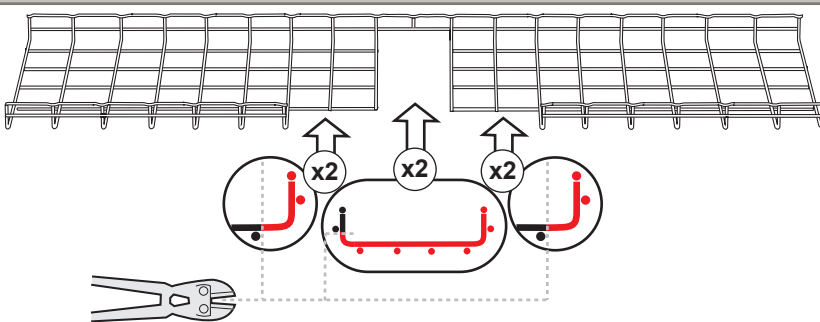
- BTRCC 6x20 (x1)
- CE 30 (x1)
- CE 25 (x1)

↩↪ 150 mm



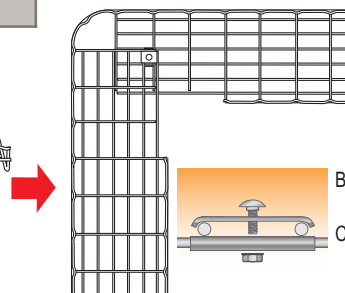
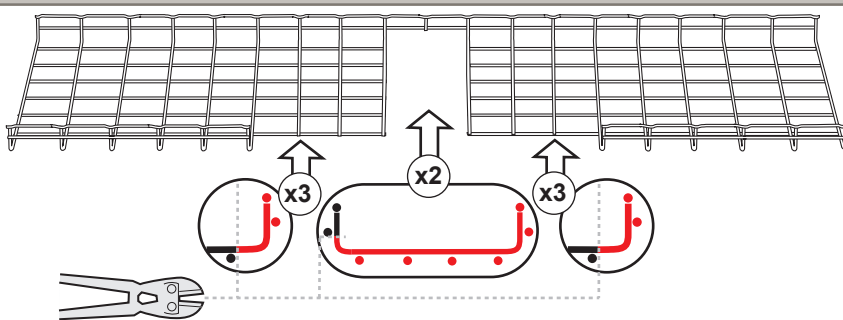
- BTRCC 6x20 (x1)
- CE 40 (x2)

↩↪ 200 mm



- BTRCC 6x20 (x1)
- CE 40 (x2)

↩↪ 300 mm



- BTRCC 6x20 (x1)
- CE 40 (x2)

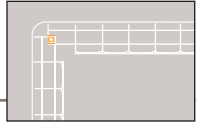
All dimensions (mm) are nominal

→ CE40 : see p. 22

→ Fixing kits : see p. 23

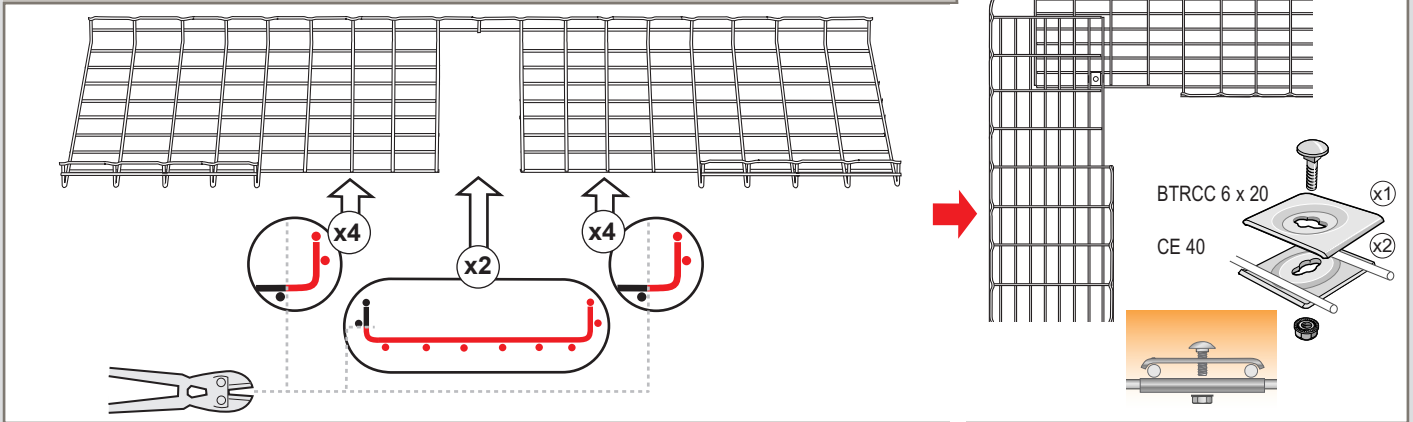
cable tray installation

technical information

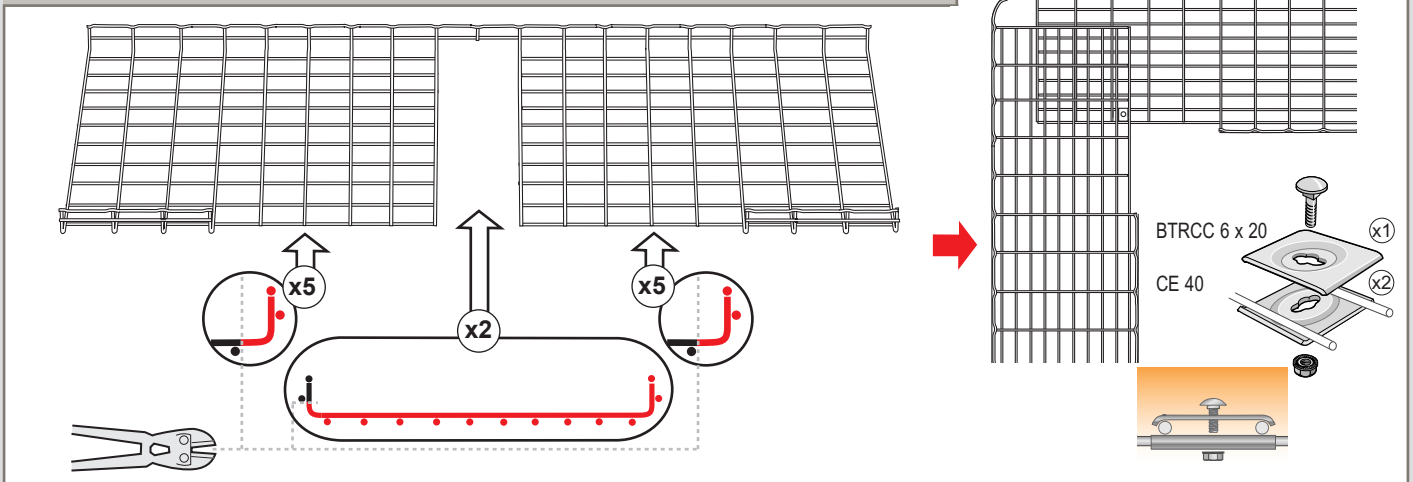


■ Small radius bends (continued)

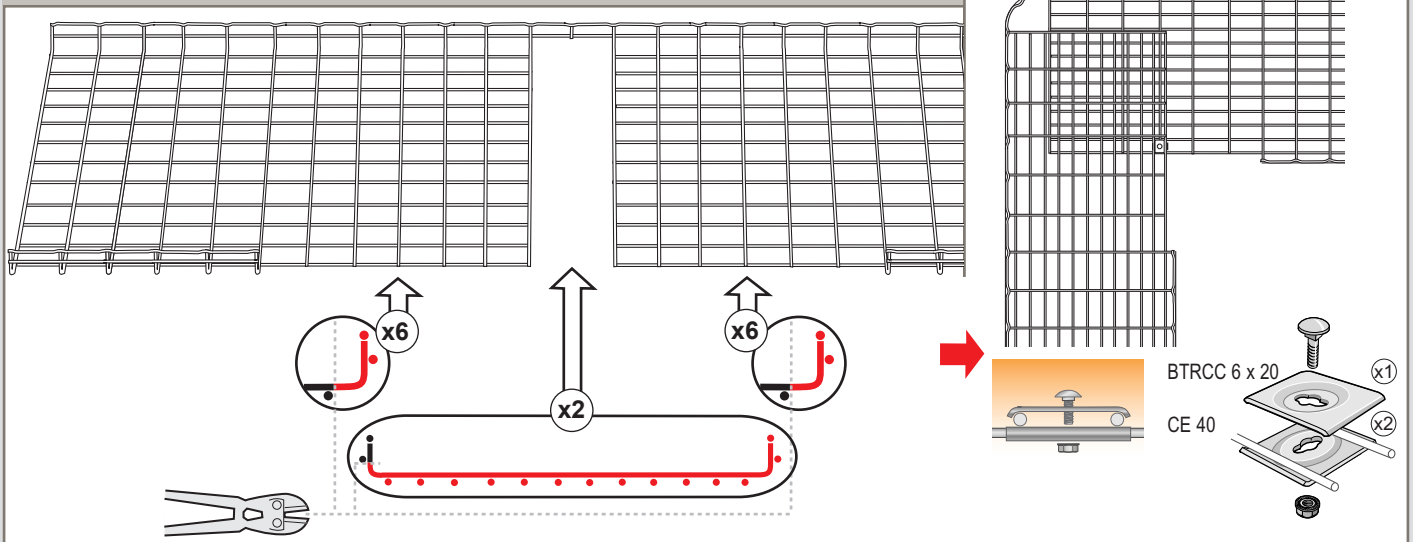
\curvearrowright 400 - 450 mm

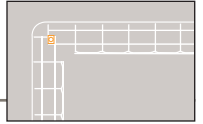


\curvearrowright 500 mm



\curvearrowright 600 mm





■ Right angle bends

↔ 100 mm

BTRCC 6 x 20 (x1)
CE 30 (x1)
CE 25 (x1)

↔ 150 mm

BTRCC 6 x 20 (x2)
CE 30 (x1)
CE 25 (x1)

↔ 200 mm

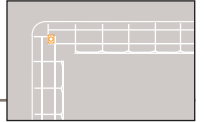
BTRCC 6 x 20 (x2)
CE 30 (x1)
CE 25 (x1)

↔ 300 mm

BTRCC 6 x 20 (x2)
CE 30 (x1)
CE 25 (x1)

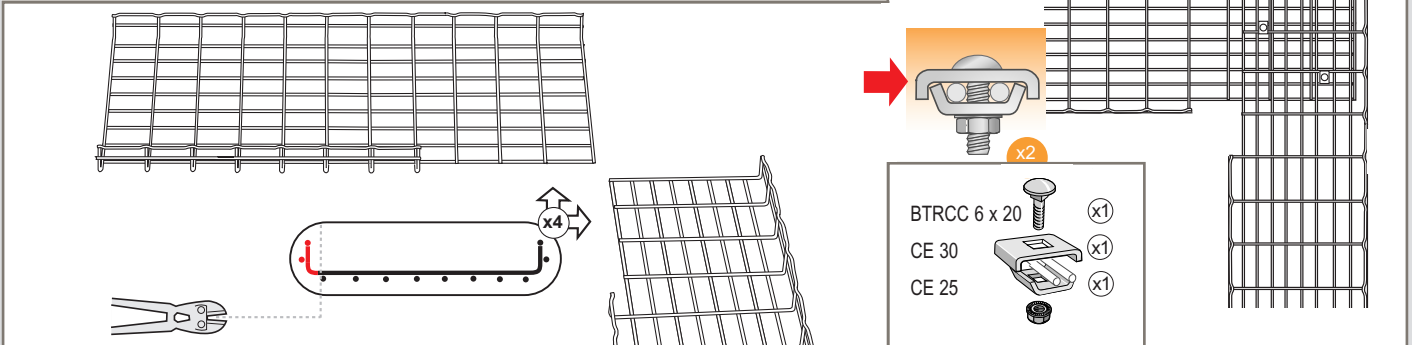
cable tray installation

technical information

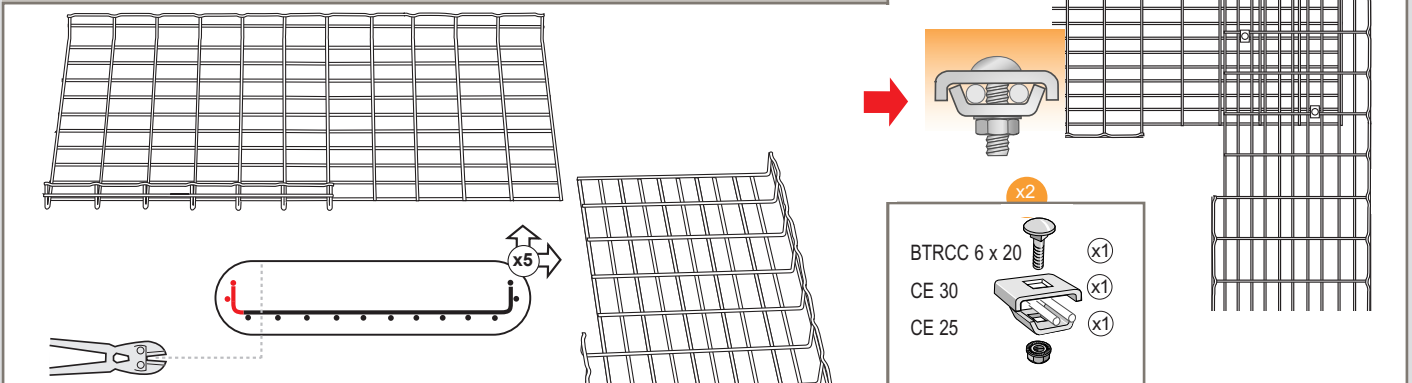


■ Right angle bends (continued)

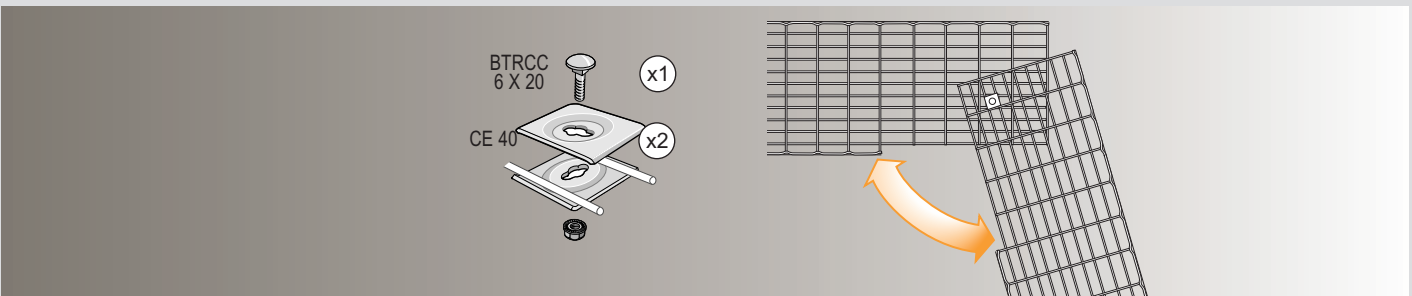
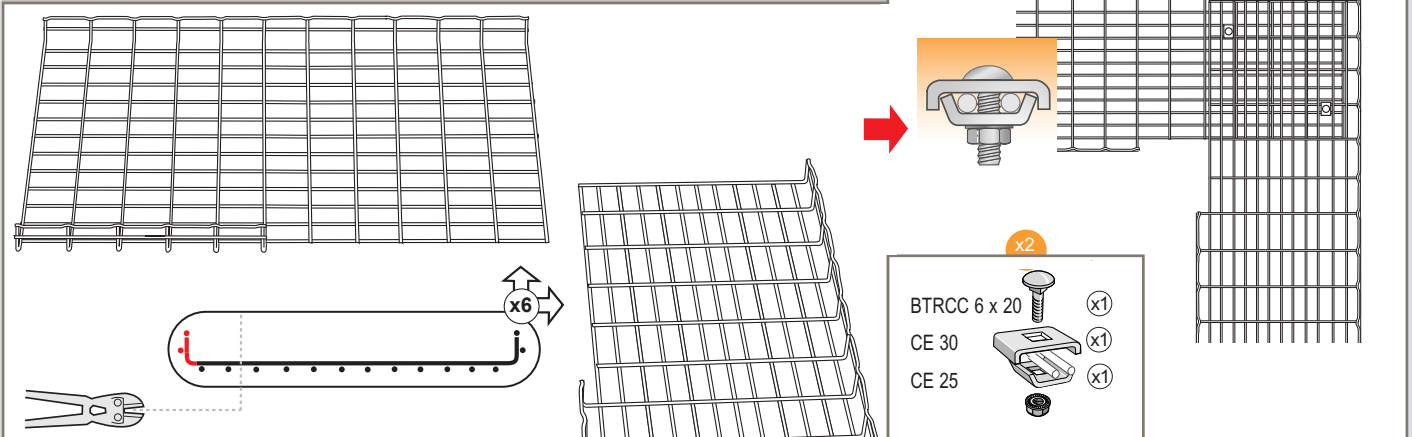
400 mm

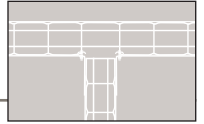


500 mm



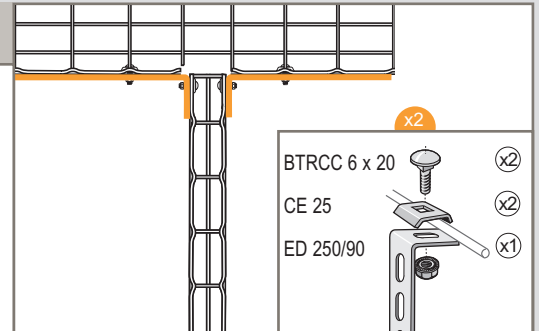
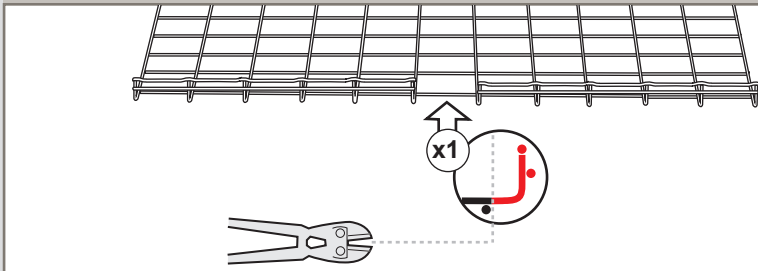
600 mm



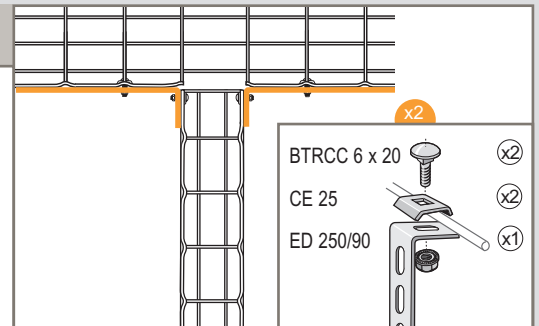
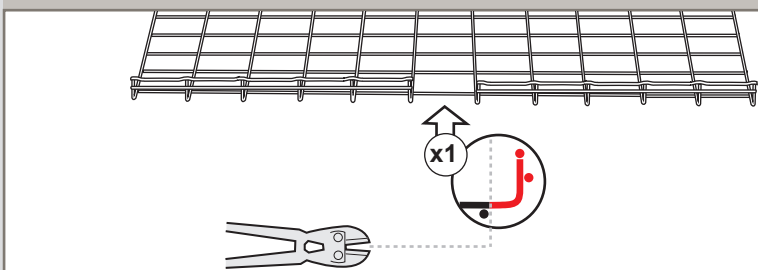


■ T or cross at right angles

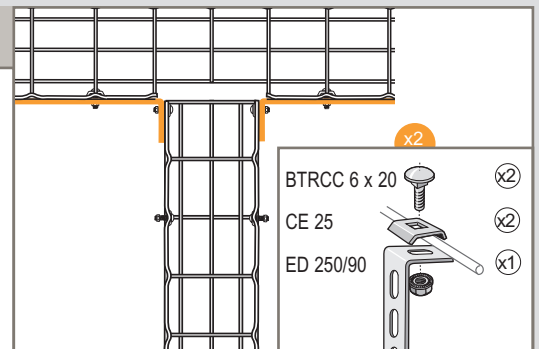
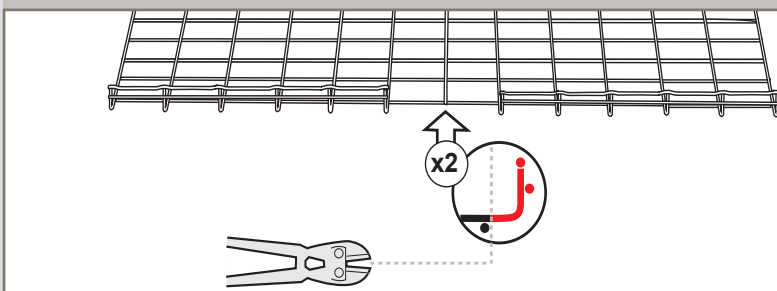
50 mm



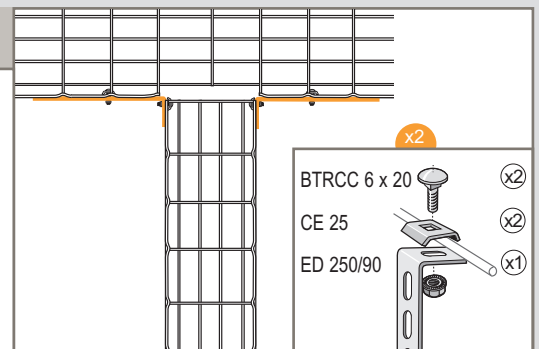
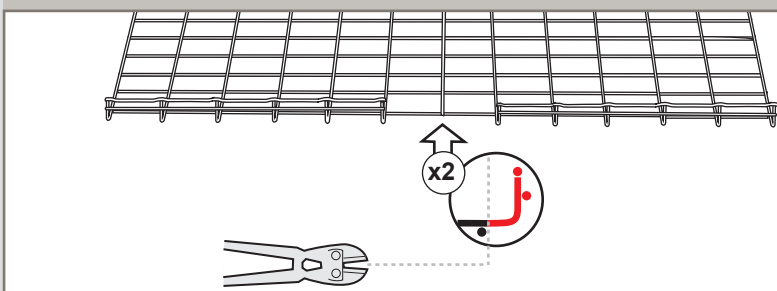
100 mm



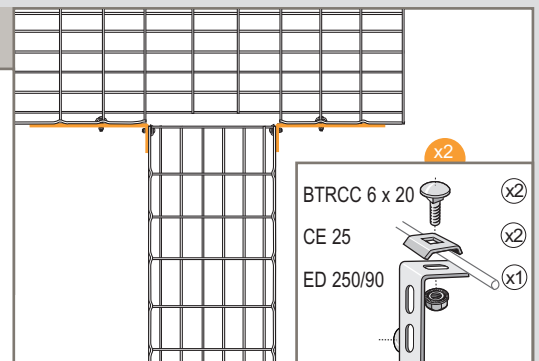
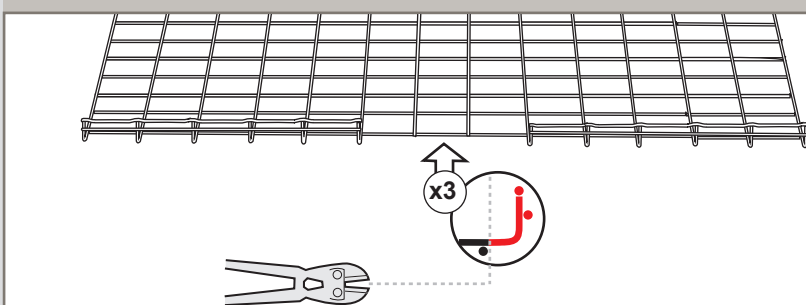
150 mm



200 mm



300 mm

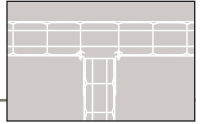


All dimensions (mm) are nominal

→ Fixing kits : see p. 23

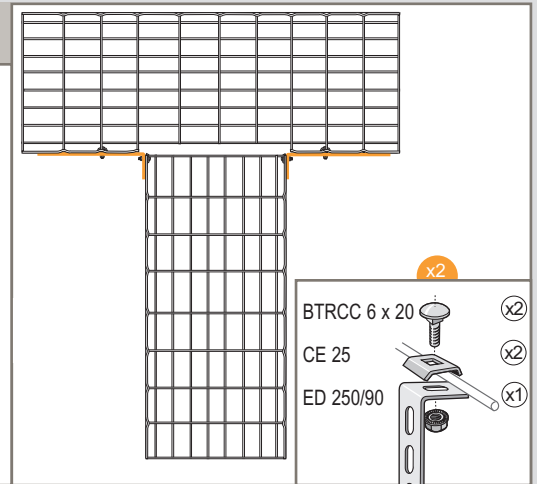
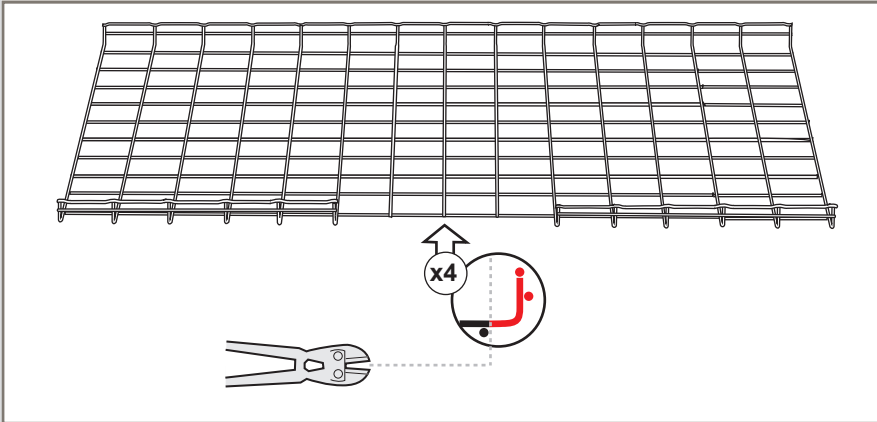
cable tray installation

technical information

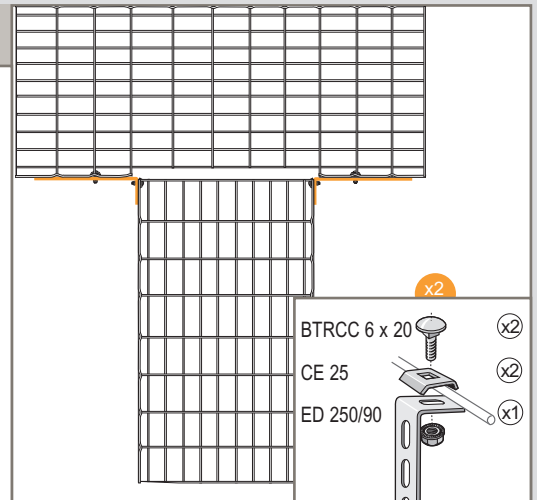
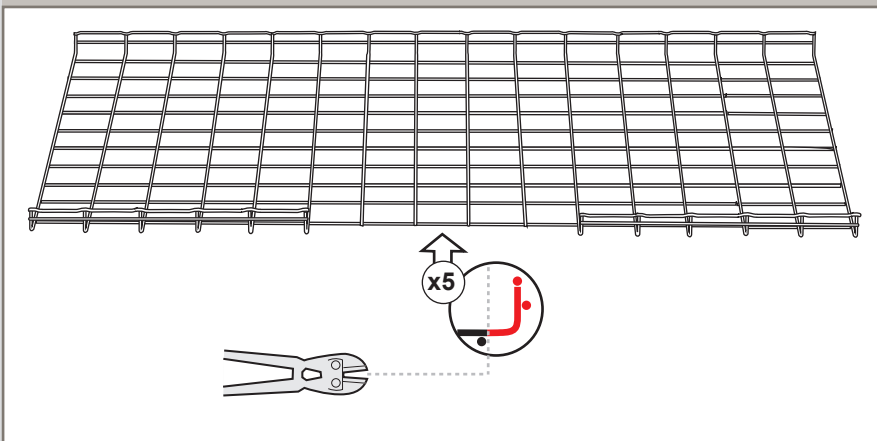


■ T or cross at right angles (continued)

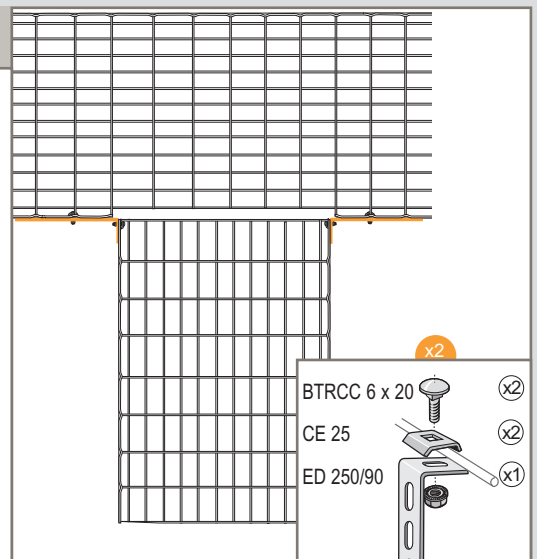
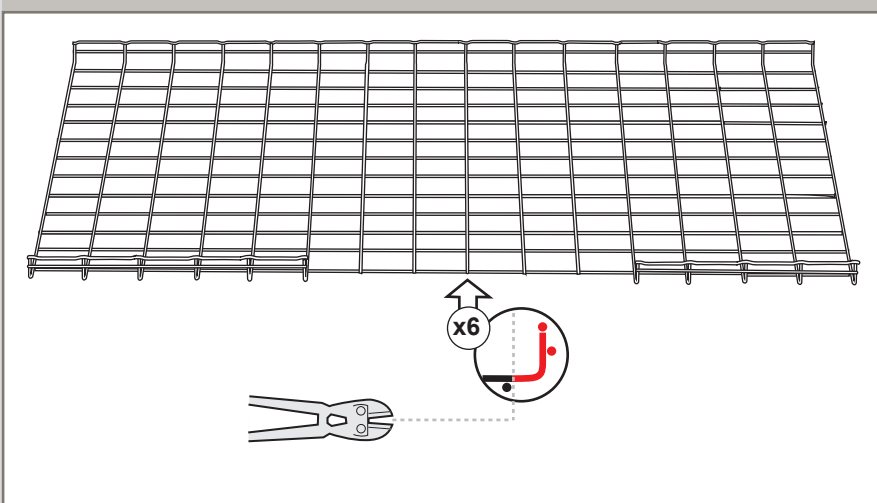
400 mm

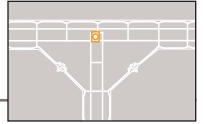


450 - 500 mm



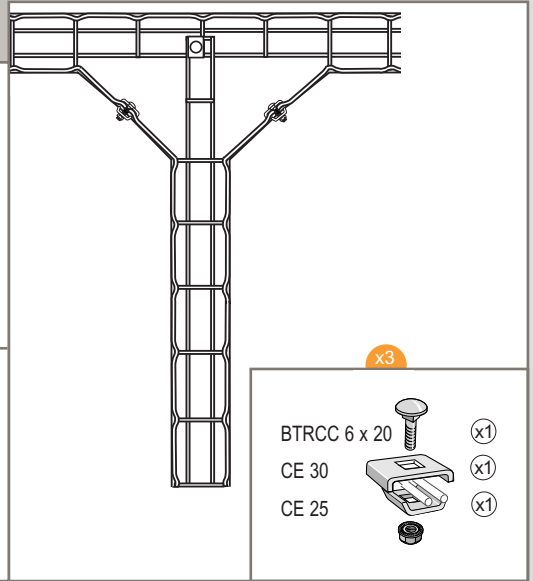
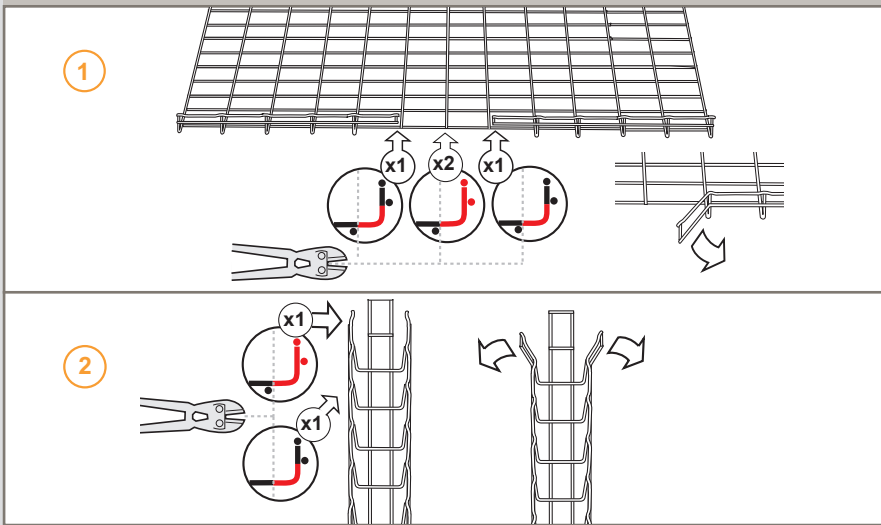
600 mm



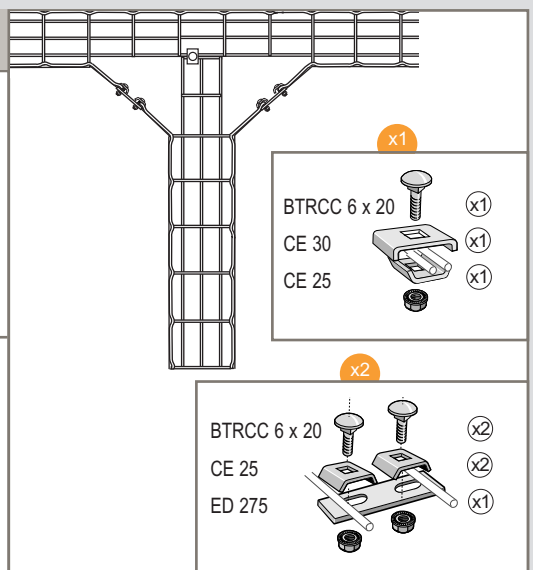
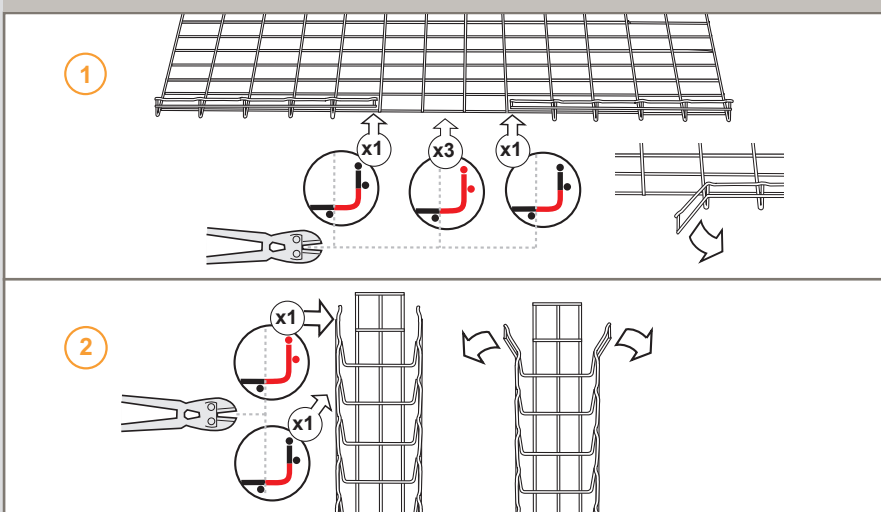


■ T or cross with gusset

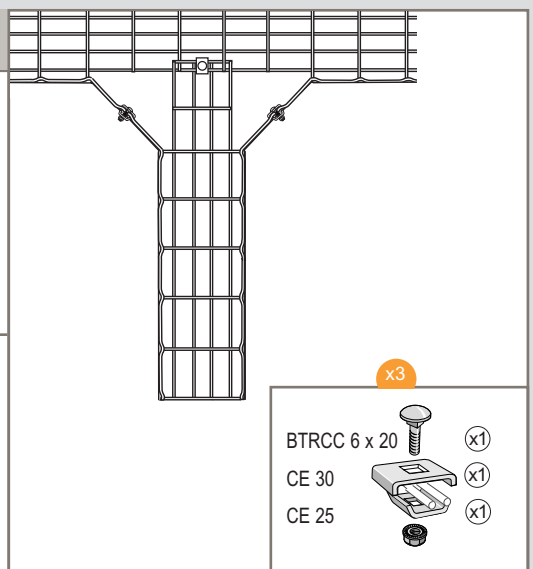
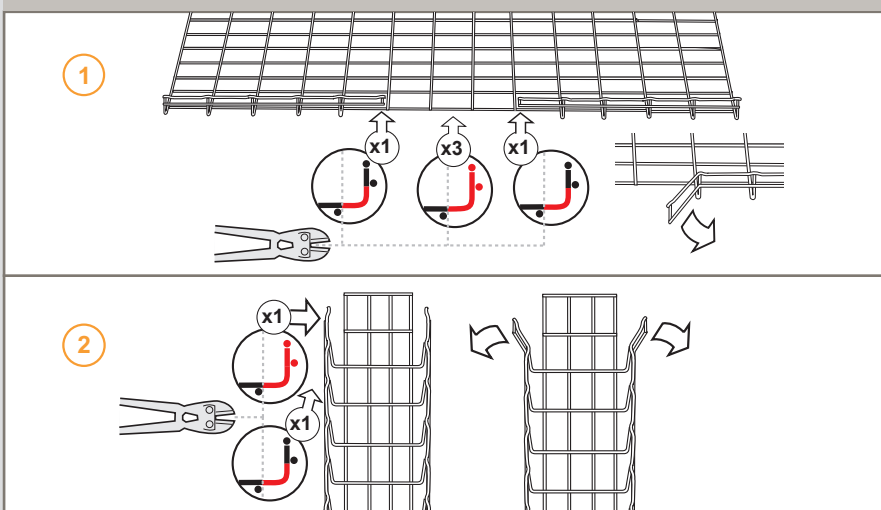
↔ 100 mm



↔ 150 mm



↔ 200 mm



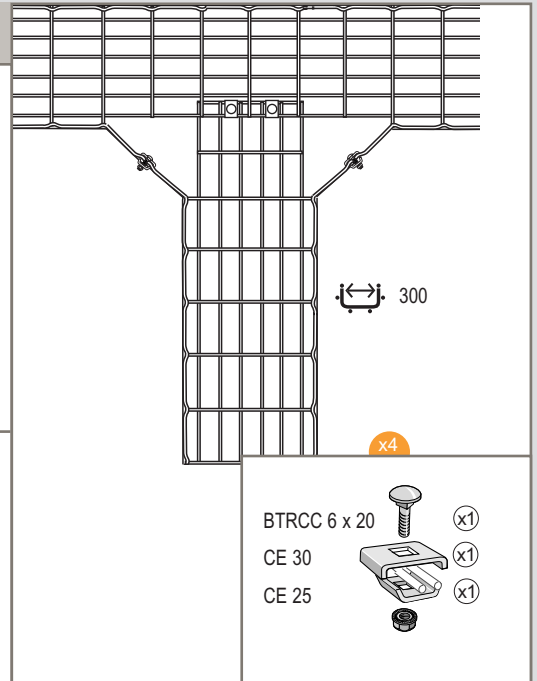
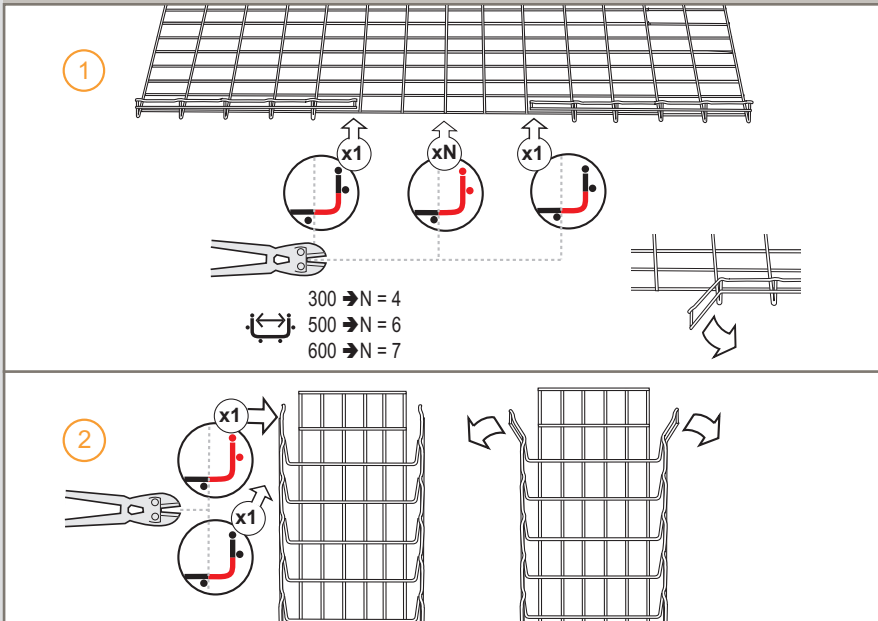
cable tray installation

technical information

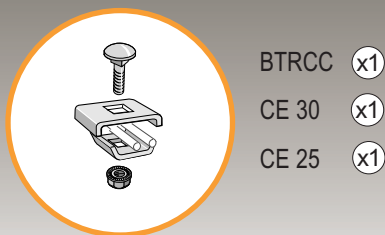
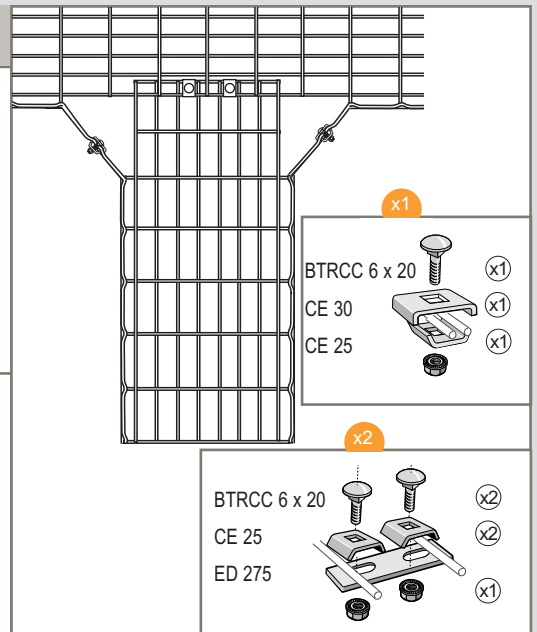
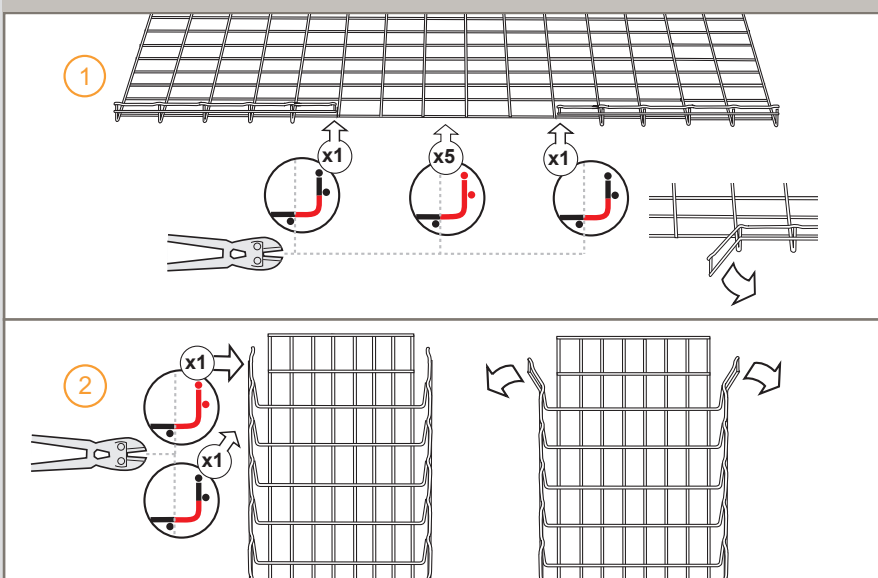


■ T or cross with gusset (continued)

↔ 300 - 500 - 600 mm



↔ 400 mm



FASLOCK AUTO



FASLOCK AUTO S = ↔ 100 -> 200 mm
FASLOCK AUTO XL = ↔ 300 -> 600 mm



■ Reducing size

100 mm

BTRCC (x1)
CE 30 (x1)
CE 25 (x1)

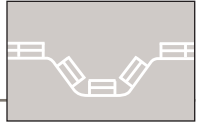
BTRCC (x2)
CE 25 (x2)
ED 275 (x1)

200 mm

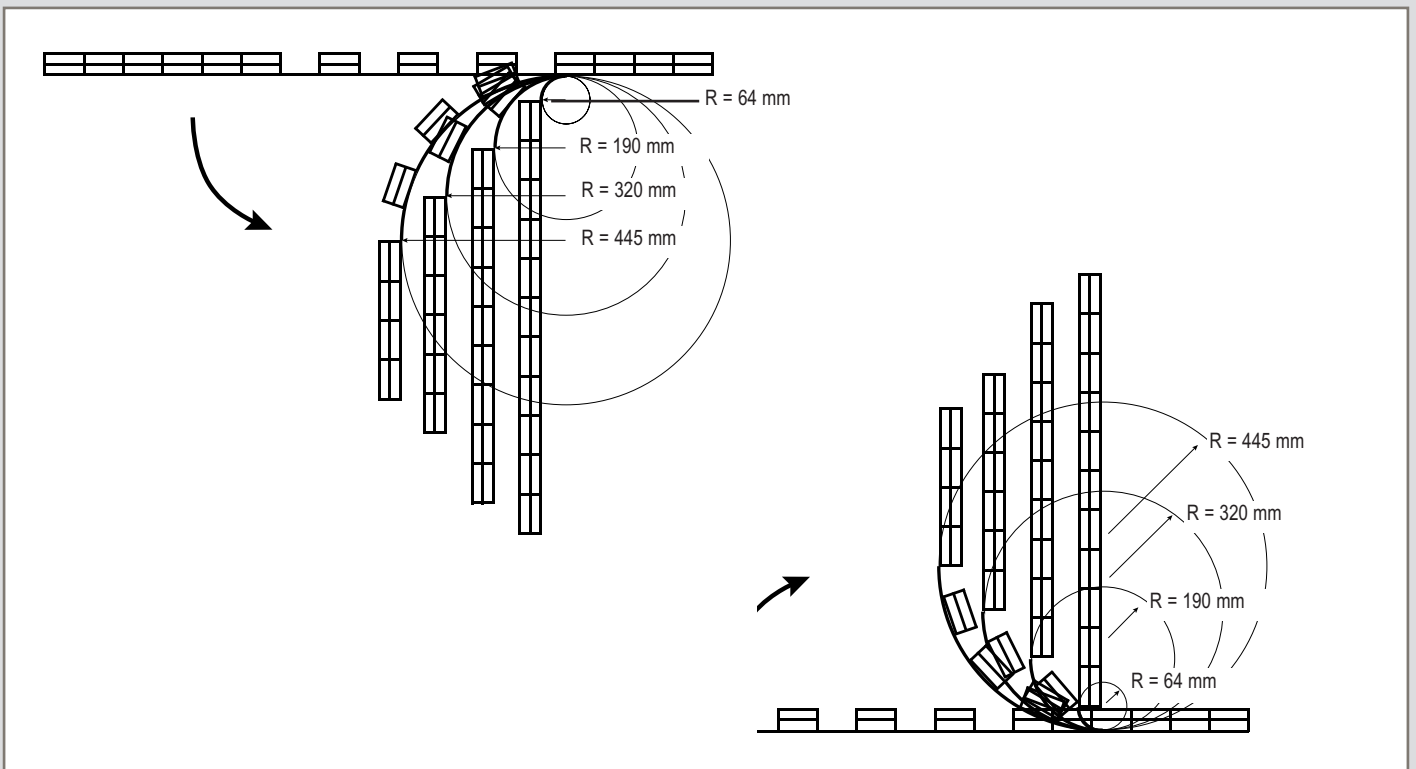
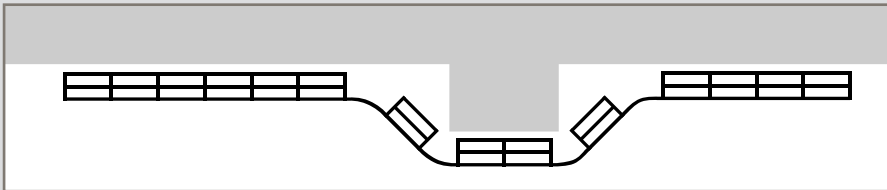
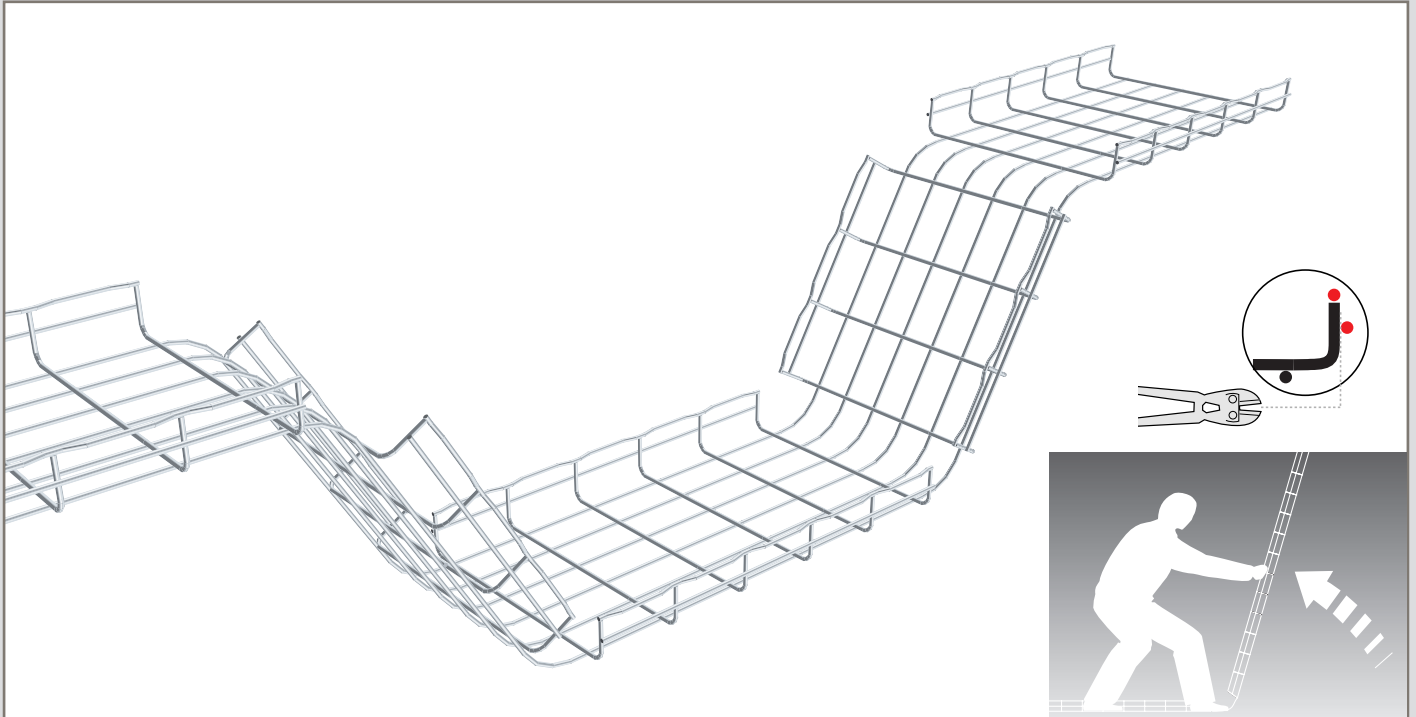
BTRCC (x1)
CE 30 (x1)
CE 25 (x1)

BTRCC (x2)
CE 25 (x2)
ED 275 (x1)

cable tray installation
technical information



■ Changing level



All dimensions (mm) are nominal



design note



DESIGN NOTES

SELECTING THE RIGHT FINISH

Suitability of finishes	130
Preventing corrosion	130
- Chemical (atmospheric) corrosion	130
- Electrochemical (galvanic corrosion)	130
- The merits of Zinc	131
- Common corrosion situations	131

FINISHES

Coated steels	132
- Pre-galvanised (GS)	132
- Electrogalvanised after manufacture (EZ)	132
- Additional coating after electrogalvanisation (black) (EZ+)	132
- Zinc nickel plus additional coating (black) (ZN+)	132
- Hot dip galvanised after manufacture (GC)	132
- Zinc rich coating (DC)	132
- Zinc magnesium (ZM)	132
Stainless steels	
- Stainless steel (304 L)	133
- Stainless steel (316 L)	133
Pickling and passivation	133

INSTALLATION OF SERVICES

Design factors to consider	134
- Distributed loads	134
- Point loads	135
- Snow, wind and external forces	135
- Safety factor	135
- Deflection	136
- Spacing of supports	136
- Location of couplers	136
- Recommended support locations	137
- Electrical continuity	138
- Earth protection	138
- Electromagnetic compatibility (EMC)	138
Loading graphs	139
- Safe working loads	139
- Safe working loads for supports	139
- Load tests	139

Selecting the right finish

IN THIS SECTION...

Suitability of finishes

1. Recommended finishes for different environments

Preventing corrosion

1. Chemical (atmospheric) corrosion
2. Electrochemical (galvanic) corrosion
3. The merits of Zinc
4. Common corrosion situations

are usually only slight but even then the presence of certain chemicals or physical contact with other metals may cause rapid corrosion. It is therefore important to consider every aspect of the environment surrounding any intended installation in order to choose a material or finish which will minimise the risk of damage to the support system through the effects of corrosion.

1 Chemical (atmospheric) corrosion

Few metals will suffer corrosion damage in a dry, unpolluted atmosphere at a normal ambient temperature. Unfortunately atmospheric pollutants are likely to be present to some degree in most situations where support systems will be installed, thus mild chemical corrosion is normal in almost all situations.

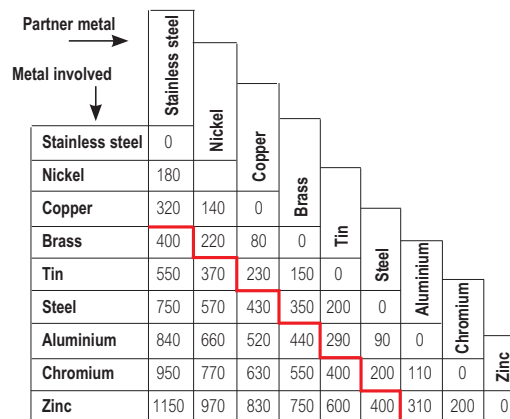
Any support installation which will be situated in an area where higher concentrations of chemicals exist must receive more detailed consideration in order to select a finish which provides the best combination of initial cost and expected life. More detailed information is available upon request, please contact us on +44 (0) 345 608 9020.

2 Electrochemical (galvanic) corrosion

When two dissimilar metals are in contact and become damp it is possible for corrosion to be induced in one of the metals. Such corrosion may progress rapidly and cause considerable damage so it is important to consider and, if necessary, take steps to eliminate this process occurring.

Electrochemical corrosion takes place because the two different metals each behave as electrodes and the moisture as the electrolyte in a simple battery; as with any battery the resulting flow of current will cause corrosion of the anode.

The likely effects of this reaction can be predicted using the Galvanic Series.



Differences in potential are expressed in millivolts. Beneath the red line, the metal involved is attacked.

Suitability of finishes

1 Recommended finishes for different environments

Typical atmospheric environments in relation to suitability of finishes

○ Recommended ◆ Possible	EZ	EZ+	GC	304L	316L
Internal installation, normal environment	○				
External installation, urban environment		◆	○		
Temporary external installation during construction phase		○			
Chemical industries, nitrate explosives, photography, decoration					○
Marine, harsh, sulphurous (weak concentration) environments					○
Acid or alkaline environments				◆	○
Food production environment				○	○
Halogen environment					○

Preventing corrosion

In planning any cabling or support installation the choice of an appropriate corrosion resistant finish is always a key issue at the specification stage. The correct choice of finish has long term implications and is crucial for ensuring the longevity (and aesthetics) of the complete installation in order to meet with the client's expectations.

It is vital that the finish specified for the equipment is capable of providing lifetime protection from corrosion within the intended environment - ideally with some margin of safety.

The following pages give information on how corrosion occurs. Contact our technical team on +44 (0) 345 608 9020 for further information.

Corrosion occurs on all metals to some extent. With some, such as stainless steel, its effects



3 The merits of Zinc

The Galvanic Series does show why zinc is such a useful corrosion resistant coating for mild steel.

Firstly, it forms an impervious zinc barrier around the steel, coating it with a metal whose own rate of chemical corrosion is both low and predictable in most situations.

Secondly, if the coating is damaged at any point (e.g. at a cut edge) the zinc surrounding the damaged area becomes the anode of the electrolytic cell and is sacrificially corroded away very slowly in preference to the underlying steel. This ensures the strength of the steel structure remains unaffected.

Because zinc appears near the top of the Galvanic Series it will act as a sacrificial anode in relation to most other metals; thus its relatively low cost and the ease with which it can be applied as a galvanised coating on steel means that it continues to be the most commonly specified protective finish for support systems.

Life expectancy of zinc coatings

The resistance of galvanising to atmospheric corrosion depends on a protective film which forms on the surface of the zinc. When the steel is withdrawn from the galvanising bath the zinc has a clean, bright, shiny surface. Over time the appearance will change to a dull grey patina as the surface reacts with oxygen, water and carbon dioxide in the atmosphere. A complex but tough, stable and protective layer is formed which adheres to the zinc. Contaminants in the atmosphere affect the nature of this protective film.

The most significant contaminant which will accelerate the corrosion rate of zinc is sulphur dioxide (SO₂) and it is the presence of SO₂ which largely controls the atmospheric corrosion of zinc.

Description of typical atmospheric environments related to the estimation of corrosivity categories

Corrosivity category C. Corrosion rate for zinc (based upon one year exposures), r _{corr} (µm.a ⁻¹) and corrosion level	Typical environments (examples)	
	Indoor	Outdoor
C1 r _{corr} ≤ 0.1 Very low	Heated spaces with low relative humidity and insignificant pollution, e.g. offices, schools, museums	Dry or cold zone, atmospheric environment with very low pollution and time of wetness, e.g. certain deserts, central Arctic / Antarctica
C2 0.1 ≤ r _{corr} ≤ 0.7 Low	Unheated spaces with varying temperature and relative humidity. Low frequency of condensation and low pollution, e.g. storage, sport halls	Temperate zone, atmospheric environment with low pollution (SO ₂ ≤ 5 µg/m ³), e.g.: rural areas, small towns. Dry or cold zone, atmospheric environment with short time of wetness, e.g. deserts, sub-arctic areas
C3 0.7 ≤ r _{corr} ≤ 2 Medium	Spaces with moderate frequency of condensation and moderate pollution from production process, e.g. foodprocessing plants, laundries, breweries, dairies	Temperate zone, atmospheric environment with medium pollution (SO ₂ : 5 µg/m ³ to 30 µg/m ³) or some effect of chlorides, e.g. urban areas, coastal areas with low deposition of chlorides, subtropical and tropical zones with atmosphere with low pollution
C4 2 ≤ r _{corr} ≤ 4 High	Spaces with high frequency of condensation and high pollution from production process, e.g. industrial processing plants, swimming pools	Temperate zone, atmospheric environment with high pollution (SO ₂ : 30 µg/m ³ to 90 µg/m ³) or substantial effect of chlorides, e.g. polluted urban areas, industrial areas, coastal areas without spray of salt water, exposure to strong effect of de-icing salts, subtropical and tropical zones with atmosphere with medium pollution
C5 4 ≤ r _{corr} ≤ 8 Very high	Spaces with very high frequency of condensation and/or with high pollution from production process, e.g. mines, caverns for industrial purposes, unventilated sheds in subtropical and tropical zones	Temperate and subtropical zones, atmospheric environment with very high pollution (SO ₂ : 90 µg/m ³ to 250 µg/m ³) and/or important effect of chlorides, e.g. industrial areas, coastal areas, sheltered positions on coastline
CX 8 ≤ r _{corr} ≤ 25 Extreme	Spaces with almost permanent condensation or extensive periods of exposure to extreme humidity effects and/or with high pollution from production process, e.g. unventilated sheds in humid tropical zones with penetration of outdoor pollution including airborne chlorides and corrosion-stimulating particulate matter	Subtropical and tropical zones (very high time of wetness), atmospheric environment with very high pollution (SO ₂ higher than 250 µg/m ³), including accompanying and production pollution and/or strong effect of chlorides, e.g. extreme industrial areas, coastal and offshore areas with occasional contact with salt spray

The Zinc Millennium Map

The Galvanizers Association has undertaken significant research based upon the positioning of reference canisters placed throughout the UK and the Republic of Ireland to establish background corrosion rates for 10 km² grids which has resulted in the formation of The Zinc Millennium Map.

With the correct use of the map specific locations can be analysed for average zinc corrosion rates per year.

Further information is available at www.galvanizing.org.uk.

4 Common corrosion situations

The most common occurrences of contact between dissimilar metals within support systems are :

- Where stainless steel components are being fixed to a carbon steel structure
- Where galvanised or zinc plated components are being fixed onto a stainless steel support system

Finishes

IN THIS SECTION...

Coated and stainless steels

1. Coated steels
2. Stainless steels

Coated and stainless steels

1 Coated steels

GS Pre-galvanised

BS EN 10346 (accessories only)

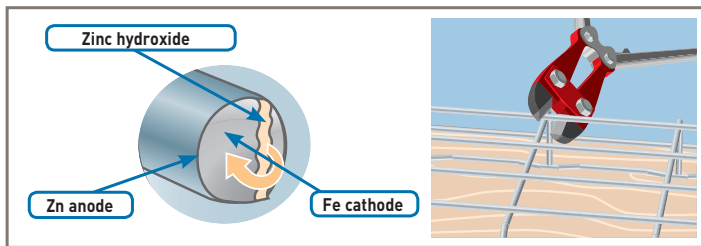
Before manufacture, a coating of zinc is deposited by continuous immersion on to the steel.

EZ Electrogalvanised after manufacture¹

BS EN ISO 2081 : 2008 standard

This coating process is often referred to as bright zinc plating (BZP). Electroplating with zinc may be used when a smooth bright decorative finish is required. Parts can be coloured or colourless depending on the type of passivation process used. It is generally used for internal applications where a low degree of corrosion resistance is acceptable. Electroplating involves connecting the metal substrate to a negative terminal of a direct current source and another piece of metal to a positive pole, and immersing both metals in a solution containing ions of the metal to be deposited, in this case zinc.

Ongoing protection



When steel wire cable tray is cut, the level of protection is not affected. The jaws of the bolt cropper drag a layer of zinc across the cut end which forms a protective layer.

EZ+ Additional coating after electrogalvanisation (black)

An additional coating applied over standard electrozinc plated steel wire cable trays, offering a durable surface treatment for temporary external installations during the construction phase. Cablofil EZ+ brings with it a Class 6 alternative to a hot dip galvanised finish (GC) according to IEC 61537. Salt spray tests carried out demonstrate that EZ+ exceeds the performance of a standard hot dip galvanised finish (no red rust after more than 550 hours exposure to salt spray test, according to ISO 9227). The same 'Class 6' classification is achieved after products are subjected to a simulated 2 year ageing process under UV conditions.

ZN+ Zinc nickel plus additional coating (black)

Accessories are made from raw steel and then pickled and immersed in an electrolyte containing mainly zinc and nickel. An additional coating is then applied which is black in colour. ZN+ products are suitable for use with EZ+ (black).

GC Hot dip galvanised after manufacture

BS EN ISO 1461 standard

Hot dip galvanising after manufacture is an excellent, economical protective finish used on support systems in many industrial and commercial applications.

Background

The galvanised coating is applied as a final manufacturing process by immersing a steel component (after various pre-treatments) in a large bath of molten zinc; the zinc forms an alloy with the steel substrate and protects the steel from corrosion in two ways.

Firstly, the zinc coating surrounds the base steel with a total, tough physical barrier preventing corrosion of the steel by the surrounding atmosphere. Secondly, if steel does become exposed, e.g. at a cut edge, the zinc coating acts as a sacrificial anode and will be gradually corroded in preference to the underlying steel. Corrosion products from the zinc will also be deposited onto the steel, effectively re-sealing the surface and maintaining the integrity of the barrier.

NOTE : Any white marks due to the formation of zinc hydroxycarbonate which might appear on the surface have no influence on the corrosion resistance. This is in fact the very principle on which galvanic protection is based.

DC Zinc rich coating

A coating based on zinc and aluminium. As it does not contain any chromium VI (hexavalent), it complies with the RoHS Directive. Offering protection equivalent to GC, it is used for small accessories and fixings which are difficult to hot dip galvanise.

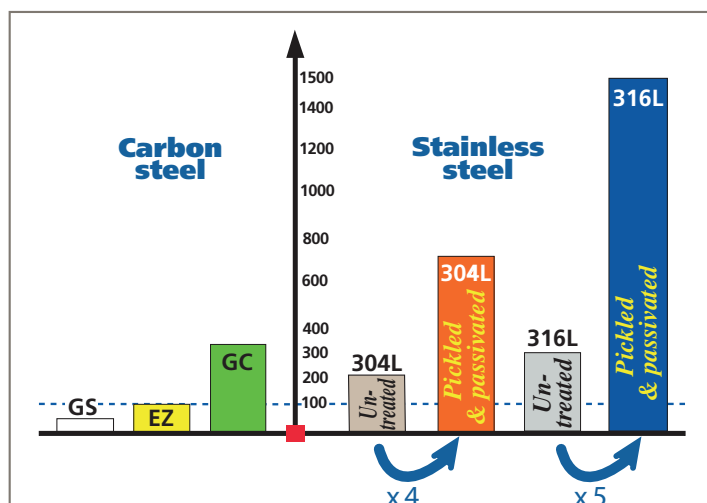
ZM Zinc magnesium

Alloy compound of 94% zinc, 3% aluminium and 3% magnesium, coated steel with high elastic yield. Compatible with hot dip galvanised products and has Class 6 properties according to IEC 61537. Products self-regenerate when cut. Zinc magnesium products are compatible with hot dip galvanised / EZ+.

Powder coated

Resin-based paint is applied to the steel wire cable tray using an electrostatic powder and then cured in an oven. The entire range of RAL colours can be obtained. Mainly used for aesthetic reasons and to help identify cable routes, it offers very good corrosion resistance.

¹: BEAMA 'BEST PRACTICE GUIDE TO CABLE LADDER AND CABLE TRAY INSTALLATIONS'



Figures for salt spray tests, baseline 100 hours : EZ

2 Stainless steels

For all practical purposes most stainless steel services supports can be regarded as maintenance free and suffering no corrosion. Inevitably there is a relatively high price to pay for these attractive properties but, in aggressive environments or where the cost or inconvenience of gaining subsequent maintenance access is prohibitive, this initial cost premium may well be justified.

Background

Stainless steel contains a high proportion of chromium (usually at least 17%) and the steel's remarkable immunity to corrosive attack is conferred by the chromium-rich oxide film which occurs naturally on its surface. This invisible film is not only inert and tightly bonded to the surface, it also re-forms quickly if the surface is damaged in any way.

The fire resistance of stainless steel is particularly noteworthy; tests have demonstrated that stainless steel cable supports can be expected to maintain their integrity for considerable periods even when exposed to direct flame temperatures exceeding 1,000°C. This may be an important consideration where the electrical circuits being supported provide for emergency power or control systems.

Stainless steel is also used where hygiene is a major consideration. Its advantages in such applications are again its excellent resistance to the various chemicals and washes which are frequently used for cleaning purposes and the smoothness of surface (depending on the finish specified) which minimises the soiling or contamination that can take place.

304L Stainless steel 304 L

BS EN 10088-2 and BS EN 10088-3

Offers good corrosion resistance against soft water, normal environments and food products (except mustard and white wine).

316L Stainless steel 316 L

BS EN 10088-2 and BS EN 10088-3

Since it contains molybdenum, stainless steel 316L is able to resist intergranular corrosion. This makes it particularly suitable for the chemical and food industries, the nitrate explosives industry and environments containing halogen (fluorine and chlorine).

Pickling and passivation

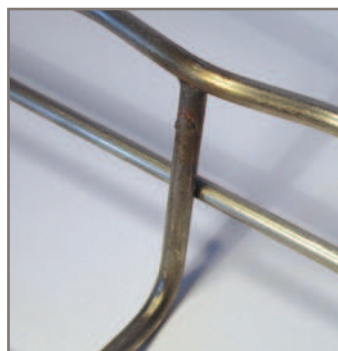
A stainless steel surface will have excellent corrosion resistance due to the chromium oxide layer on the surface of the product. With some stainless steels however, the surface areas can become subject to corrosion due to the depletion of chromium during welding, or the introduction of iron during a machining process (not applicable to most cable management products). Where a uniform appearance is important after carrying out welding processes, it is often specified that all surfaces should be pickled and passivated to remove the smoke stain from the welding process. Also where extreme corrosion resistance is called for, this process may help to remove crevice corrosion from around the welding area.

Pickling

The pickling process involves the article being immersed in a blend of acids which dissolve iron and iron oxides which adhere to, or are embedded in, the surface of the stainless steel. These acids cause a removal of the surface layer of between 1 and 3 microns. The article is finally rinsed with water to complete this stage of the process.

Passivation

Passivation of the stainless steel will occur naturally after pickling when the oxygen in the air will react with the surface of the steel to form a passive chromium oxide layer. However it is usual for this passivation process to be speeded up by immersing the article in a nitric acid or other passivating agent.



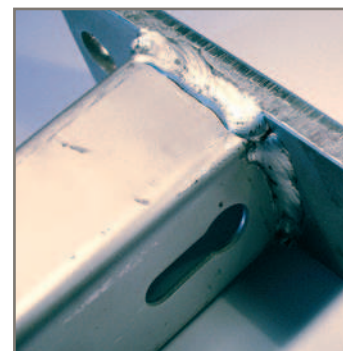
Untreated



Pickled and passivated



Untreated



Pickled and passivated

Pickling and passivation gives Cablofil stainless steel wire cable tray a very light grey colour and a distinctly matt finish. All Cablofil stainless steel products are pickled and passivated.

Installation of services

Steel wire cable tray systems

Cable tray systems are intended for the support of a combination of cables, electrical equipment and/or communication system installations. Where necessary cable tray systems may be used for the segregation of cables.

Note : these systems are designed for use as supports for cables and not as enclosures giving full mechanical protection.

These systems are covered by IEC 61537.

1 Design factors to consider

Consideration should be given to the following factors when undertaking the design of a support system although some of these (e.g. snow/wind loads) may not be relevant to every installation.

- (i) **Distributed loads (eg. cables, pipes)**
- (ii) **Point loads**
- (iii) **Snow, wind and external forces**
- (iv) **Safety factor**
- (v) **Deflection**
- (vi) **Spacing of supports**
- (vii) **Location of couplers**
- (viii) **Electrical continuity**
- (ix) **Earth protection**
- (x) **Electromagnetic compatibility (EMC)**

The following sections provide a wealth of useful information on each of these design aspects.

(i) Distributed loads

Before commencing the design process for a new installation it is usual to consider whether future changes in the pattern of demand for building services will impose increased loading requirements on the support system. If so, it is good design practice to allow both the physical space and sufficient load carrying capacity for the future addition of 25% more cables or other loading medium.

Estimation of cable loads

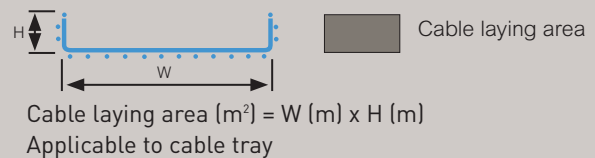
If full details of the cabling layout are available then the likely cable load can be calculated using either manufacturer's published information or the tables of cable weights and diameters which are given opposite. However, it is often necessary to select a tray design in the absence of accurate information on the likely cable load. To assist this selection process a useful approach can be to choose a likely size of tray and then to estimate the maximum cable weight which is capable of being contained within it. This estimate may be arrived at using the following guide :

IN THIS SECTION...

Steel wire cable tray systems

1. Design factors to consider
2. Loadings

Max. cabling capacity (kg/m) = cable laying area (m²) x 2800



Note : this formula only provides an estimate of the maximum load which can be physically contained within a tray. The ability of that tray to support such a load depends upon the spacing of its supports.

Cable weights and diameters

Tables 1 and 2 below give typical weights and diameters (D) for PVC sheathed, steel wire armoured cables with stranded copper conductors.

Tables 3 and 4 give typical weights and diameters for PVC sheathed, unarmoured stranded copper power cables. Cables with XLPE (cross linked polyethylene) insulation are usually slightly lighter so the information given may also be used for these cables too.

Values show approx. weight and diameter of typical cables.
D = Overall cable diameter.

Table 1 : PVC armoured power/control cables to BS 6346

Nom. area of conductor (mm ²)	2 core		3 core		4 core	
	kg/m	D in mm	kg/m	D in mm	kg/m	D in mm
1.5	0.3	12.3	0.3	12.8	0.4	13.5
2.5	0.4	13.6	0.4	14.1	0.5	15.0
4.0	0.5	15.1	0.5	15.8	0.7	17.8
6.0	0.6	16.5	0.7	18.0	0.9	19.2
10.0	0.9	20.1	1.0	21.2	1.2	22.8
16.0	1.0	21.9	1.2	23.1	1.7	26.3

Table 2 : PVC insulated and sheathed circular surface wiring

Nom. area of conductor (mm ²)	2 core		3 core		4 core	
	kg/m	D in mm	kg/m	D in mm	kg/m	D in mm
1.5	0.1	7.7	0.1	8.2	0.1	9.1
2.5	0.1	9.2	0.2	9.7	0.2	10.6
4.0	0.2	10.2	0.3	11.0	0.3	12.6
6.0	0.2	12.0	0.3	12.8	0.4	14.2
10.0	0.4	14.6	0.5	15.6	0.7	17.4
16.0	0.6	16.9	0.7	18.0	0.9	20.0

Table 3 : PVC unarmoured stranded copper power cables to BS 6346

Nom. area of conductor (mm ²)	2 core		3 core		4 core	
	kg/m	D in mm	kg/m	D in mm	kg/m	D in mm
25	0.7	18.4	1.0	20.4	1.3	22.7
35	0.9	20.0	1.3	22.4	1.7	25.0
50	1.2	22.2	1.7	25.4	2.3	28.6
70	1.7	24.6	2.4	28.4	3.1	32.2
95	2.3	28.2	3.3	33.1	4.3	37.2
120	2.8	30.9	4.0	36.0	5.3	40.6
150	3.5	34.1	4.9	39.7	6.5	45.0
185	4.2	37.8	6.1	44.1	8.0	49.8
240	5.5	43.2	8.0	49.6	10.6	56.2
300	7.0	47.2	9.7	55.0	13.2	62.5
400	8.5	53.2	12.6	61.4	16.7	69.6

Table 4 : PVC armoured stranded copper power cables to BS 6346

Nom. area of conductor (mm ²)	2 core		3 core		4 core	
	kg/m	D in mm	kg/m	D in mm	kg/m	D in mm
25	1.3	23.0	1.7	25.1	2.1	27.5
35	1.6	24.8	2.1	27.3	2.6	30.0
50	2.0	27.2	2.6	30.5	3.5	34.8
70	2.5	29.5	3.6	34.8	4.5	38.4
95	3.5	34.4	4.6	39.1	5.9	43.3
120	4.1	37.1	5.5	41.9	7.5	48.1
150	4.9	40.2	7.0	47.2	8.8	52.3
185	6.3	45.1	8.4	51.4	10.7	57.5
240	7.8	50.5	10.7	57.3	13.5	63.9
300	9.3	55.4	12.7	62.6	16.4	69.9
400	11.3	60.8	15.7	68.8	21.3	78.8

(ii) Point loads

Point loads may consist of permanent equipment, such as lighting luminaires, junction boxes or other switchgear, or temporary loads such as commissioning equipment or installation personnel, however, consider 'safety during the installation phase'.

Analysis of uniformly distributed loads (UDL), such as cables or pipes is relatively simple but analysing the effect of a point load is quite complex; fortunately a simple alternative approach is available.

Firstly, one makes the reasonable assumption that the point load will be situated in the worst position at mid-span. The force this point load imposes can then be taken as equivalent to that imposed by a load of twice its value uniformly distributed along the span. Thus the point load can be converted to the equivalent uniformly distributed load which is then added to other UDL's to produce one total uniform load.

Example:

Point load = 30 kg

Support spacing = 3 m

UDL = 100 kg/m

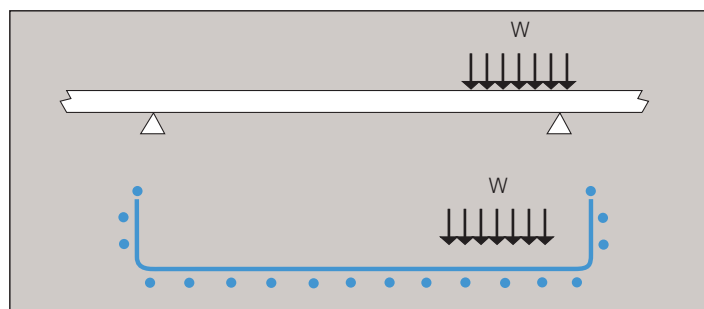
UDL equivalent to 30 kg point load =

$2 \times \text{Point Load} = 2 \times 30 \text{ kg} = 60 \text{ kg} = 20 \text{ kg/m}$

Total UDL = $100 \text{ kg/m} + 20 \text{ kg/m} = 120 \text{ kg/m}$

The suitability of a tray to carry this total load can then be considered using the loading graph information (see p. 125).

Although this treatment does assume the point load will be in the 'worst case' position, the installer should, given discretion, always position any point load as close as possible both to a support and to either side flange, minimising the stress on the installation, as per the following illustration.



(iii) Snow, wind and external forces

The loading graphs show the maximum safe working steady load for each type of support system. If the system is outdoors and must also sustain snow, ice, wind or other variable forces these must also be taken into account at the design stage.

Appropriate design data for UK weather conditions is given in the British Standard series BS EN 1991.

(iv) Safety factor

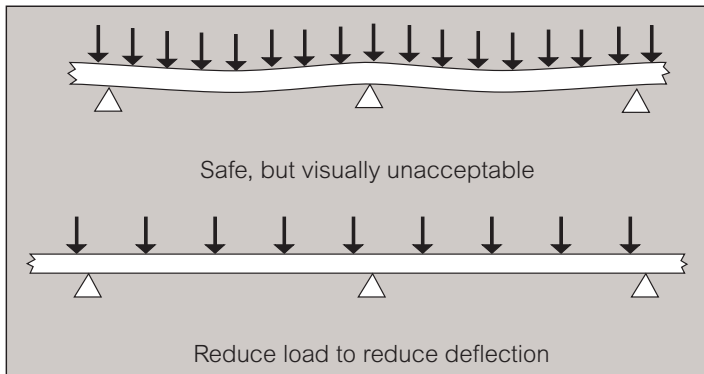
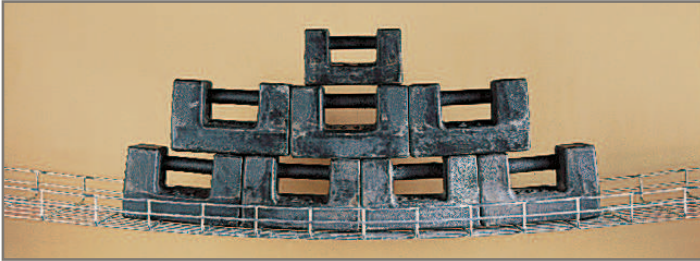
To arrive at a safe working load (SWL) for each type of equipment Legrand test their products to find the ultimate failure load. The SWL is obtained by dividing the load before failure by a factor of 1.7 minimum.

This safety factor may need to be increased by the designer depending upon the circumstances. For example, if the support system is expected to be subject to aggressive abuse a safety factor as high as three or more may be used. Such treatment is, however, the exception and care should be taken not to over-design the system by using an unnecessarily high safety factor.

(v) Deflection

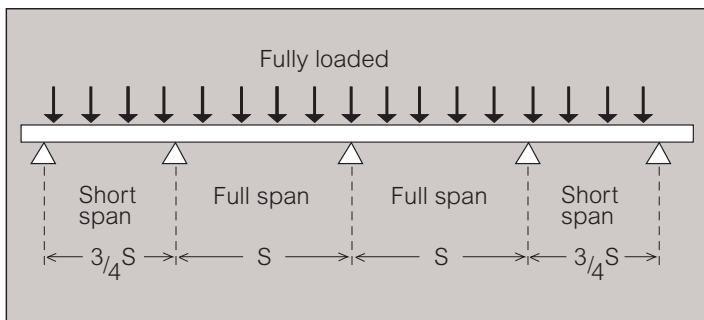
The deflection of a cable tray under load is not directly related to its strength but it is obviously of aesthetic importance. For this reason it may be necessary to estimate the likely deflection whilst designing an installation, especially if it will be in a highly visible location. Experience has shown that in order to maintain a degree of deflection which is subjectively acceptable to the eye, the load on the cable tray will often be restricted to well below its safe maximum.

In the event of critical overload, a steel wire cable tray (wire mesh) structure becomes like a hammock.



(vi) Spacing of supports

Services support installations are usually considered as multi-span arrangements but it is important to recognise that the loading capability of the system is not uniform from end-to-end. The strength of the two end spans in any run is much lower than that of intermediate spans, even when the ends are rigidly fixed. In many situations the end spans will be more lightly loaded anyway; if however they are not and the installation will be fully loaded from end-to-end then it is recommended that the support spacing of both end spans should be reduced to no more than three quarters that of intermediate spans. However it is not a mandatory requirement, but is both useful and advisable.



Sometimes the necessary support spacing may be dictated by the nature of the building fabric. If however the designer has discretion over the spacing of supports the loading graphs can be used to maximise this distance. This will reduce the number of support components and fixings that will be required, thus reducing the overall cost of the installed system.

Supports for cable tray (P2000)

Some of the Cablofil steel wire cable tray loading graphs are denoted as P2000. This means setting supports at 2 metre apart instead of 1.5 metres, thus enabling the installer to reduce, a) the number of supports used and b) the overall installation time.

Example:

Span 1500 : $100 \text{ m} / 1.5 = 67$ supports

Span 2000 : $100 \text{ m} / 2 = 50$ supports

Support of fittings

Cable tray fittings must always be provided with local support. The illustrations opposite give recommended support positions.

(vii) Location of couplers

In practice it is often impossible to predetermine where the couplers will be located within a straight run of cable tray. However it is well worth making some effort to roughly plan their position during the early stages of installation.

The worst positions for the couplers is directly underneath a support.

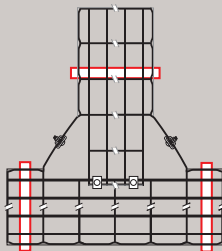
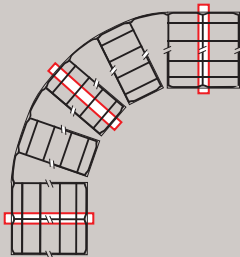
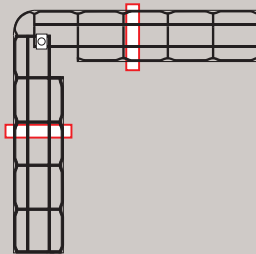
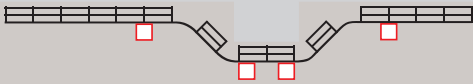
The best position for joints in a continuous installation is one quarter / one fifth of the span distance on either side of each point of support.

Recommended support locations – steel wire cable tray

Positioning of the supports

Changes of level and direction – put supports in place before there is any deflection of the cable tray route.

It is recommended to place supports at the start and end of 90° bends. A support must be positioned in the middle of large-radius bends.



(viii) Electrical continuity

Fundamental to providing safety to people and property, electrical continuity also plays an essential role in the EMC performance of an electrical installation.

Definition

The electrical continuity of a system is its ability to conduct electric current. Each system is characterised by its resistance (R).

If $R = 0 \Omega$, the system is a perfect conductor.

If R is infinite, the system is a perfect insulator.

The lower the system's resistance, the better its electrical continuity will be.

The importance of excellent electrical continuity

Even at the same electrical potential each part of the steel wire cable tray run helps dissipate any fault currents :

- Guarantee the safety of people and property, avoiding any risk of electrocution
- Promote good electromagnetic performance within an installation by dissipating noise currents generated by interference

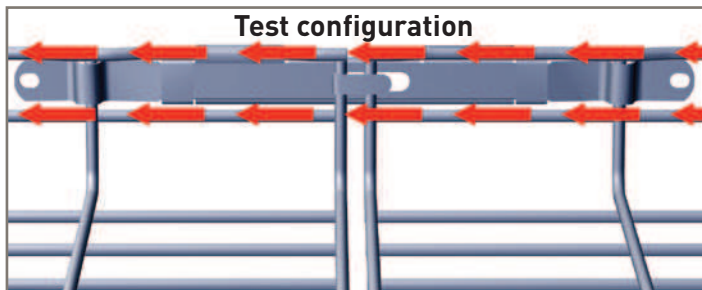
Tested for electrical continuity

- Steel wire cable tray lengths

Tests show that Cablofil steel wire cable tray lengths more than meet the requirements of the standard IEC 61537, which stipulates that cable tray resistance must not exceed $5 \text{ m}\Omega/\text{m}$.

- Steel wire cable tray couplers

The standard IEC 61537 states that coupler resistance must not exceed $50 \text{ m}\Omega$. The test involves running an electric current \rightarrow through the system (lengths + couplers) and measuring coupler resistance.



(ix) Earth protection

Earthing an installation is vital for the safety of people and property. Furthermore it plays an active role in EMC.

Definition

The earth network is made up of all the metallic components of a building that are interconnected. These include beams, conduits, cable management, the metal frames or devices. All such elements must be interconnected to ensure the earth network is equipotential.

Benefits of equipotential earthing network

The equipotential earth network works like a system of conduits evacuating any fault currents and the parasite currents to earth. This provides a means of :

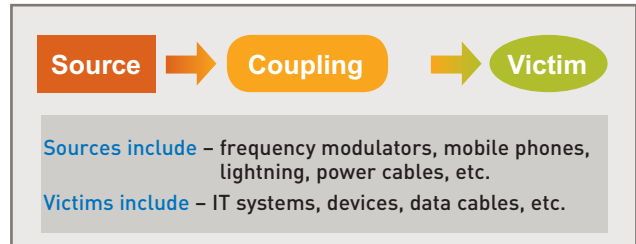
- protecting people and property
- obtaining a satisfactory EMC performance level

(xi) Electromagnetic compatibility (EMC)

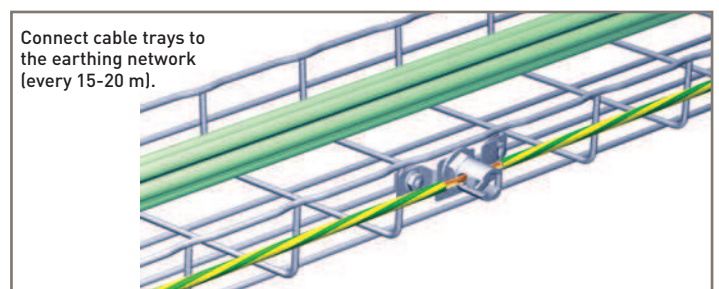
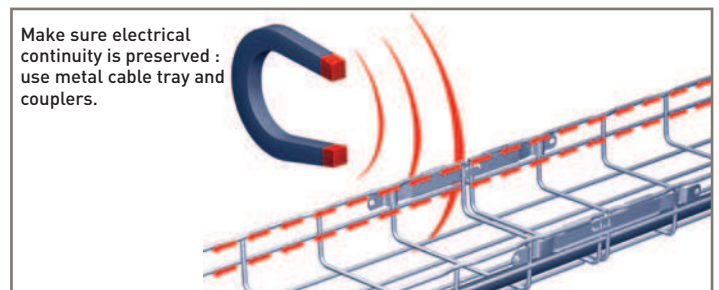
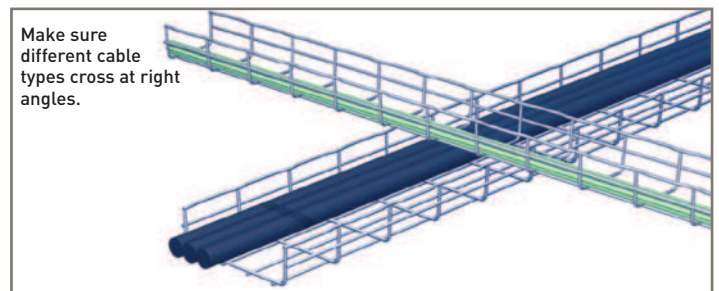
Understanding EMC involves the analysis of electromagnetic pollution between a source of disturbance and its victim.

Definition

Electromagnetic interference is emitted by a source polluting a victim. Electromagnetic interference is transmitted by a process known as coupling. An EMC problem only occurs when the three elements source, coupling and victim are evident. To obtain a good EMC we simply need to eliminate one of the three elements or reduce its effect.



The golden rules!



2 Loadings

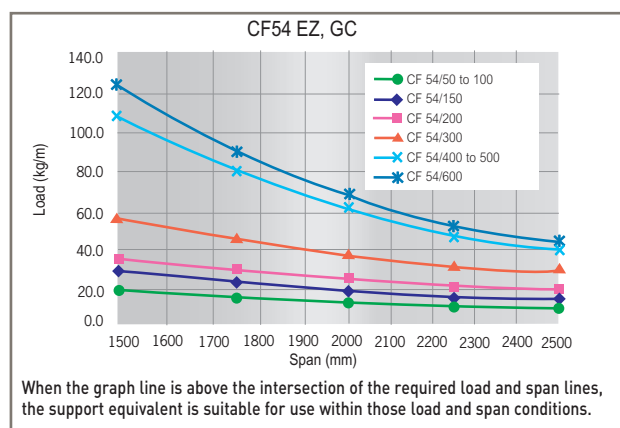
First and foremost, steel wire cable tray must act as an effective, resistant and durable support for cables.

The mechanical performance of all products and accessories is tested against the very demanding requirements imposed by the international standard IEC 61537.

i) Safe working loads

The permissible load stated in this catalogue represents the load that Cablofil steel wire cable tray is guaranteed to be able to bear. It assumes loads are evenly spread and is given in daN/m. The standard permits a deflection equivalent to 1/100th of the span. Legrand imposes a stricter limit of 1/200th for both safety and aesthetic reasons. For example, Legrand voluntarily restricts deflection to 10 mm for a span of 2 m, whereas the standard would allow 20 mm.

Load tests carried out to IEC 61537 (safety factor 1.7 + joint 1/5th of the way along the span). Permissible load should include all cable loads and any other additional loads (eg: wind, snow).



(ii) Safe working loads for supports

Brackets are classified by their permissible load (in daN).

Hangers are classified by their permissible torque (in daN/m).

All Cablofil supports are tested and comply with the IEC 61537 standard.

F – is the load (in daN) applied to the support.

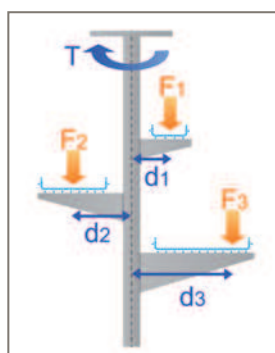
d – is the distance between the hanger axis and the load.

T – is the torque (in daN/m) applied to the hanger.

Calculation rules :

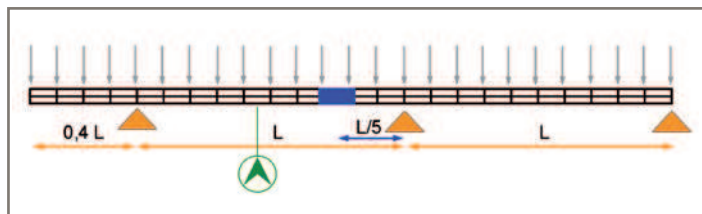
Total F = F₁ + F₂ + F₃ < permissible hanger load

Total T = F₁.d₁ + F₃.d₃ – F₂.d₂ < permissible hanger torque



(iii) Load tests : test configuration according to standard IEC 61537

Each Cablofil steel wire cable tray has been tested in the required configuration, with a coupling 1/5th of the way along the span. Deflection is measured at the centre of the span.



The values given in this document have been obtained from extensive testing of our cable support equipment. They are given as a guide, so that customers may use Legrand's products to the best advantage; they are nevertheless average figures which are given in good faith, but without accepting any liability in contract, tort or otherwise in the event of different performance by equipment which is actually supplied.

Index

By order of Cablofil references

Cablofil reference	Cat. Nos.	Finish	Page No.
AS	CM350587	ZN+	32, 86
AS	CM586020	GS	–
AS	6023	DC	–
AS	6024	316L	–
AUTOCLIC	CM558280	GS	20, 60
AUTOCLIC	8283	GC	–
AUTOCLIC	8284	316L	–
AUTOCLIC	8288	304L	–
BLF6/16	CM585387	CU	40, 108
BLF6/35	5397	CU	–
BLF6/50	5407	CU	–
BRP	CM559617	–	41
BTRCC 6 x 12	CM801001	EZ	41
BTRCC 6 x 12	1004	316L	–
BTRCC 6 x 12	1007	DC	–
BTRCC 6 x 12	1008	304L	–
BTRCC 6 x 20	CM801011	EZ	22, 41, 67
BTRCC 6 x 20	1014	316L	–
BTRCC 6 x 20	1017	DC	–
BTRCC 6 x 20	1018	304L	–
BTRCC 6 x 30	1021	EZ	41
BTRCC 6 x 30	1027	DC	–
BTRL 8 x 15	CM801111	EZ	41
CABLOGRIP	CM559677	–	39, 107
CAT30	CM586050	GS	24, 69
CAT30	6054	316L	–
CAT30	6057	DC	–
CAT30	6058	304L	–
CAT40	CM586190	GS	24, 37, 70, 102
CAT40	6194	316L	–
CAT40	6197	DC	–
CB100	CM350810	GS	26, 74-75
CB100	0812	EZ+	–
CB100	0813	GC	–
CB100	0814	316L	–
CB150	0820	GS	–
CB150	0822	EZ+	–
CB150	0823	GC	–
CB150	0824	316L	–
CB200	0830	GS	–
CB200	0832	EZ+	–
CB200	0833	GC	–
CB200	0834	316L	–
CB300	0840	GS	–
CB300	0842	EZ+	–
CB300	0843	GC	–
CB300	0844	316L	–
CB400	0850	GS	–
CB400	0852	EZ+	–
CB400	0853	GC	–
CB400	0854	316L	–
CB500	0860	GS	–
CB500	0862	EZ+	–
CB500	0863	GC	–
CB500	0864	316L	–
CB600	0870	GS	–
CB600	0872	EZ+	–
CB600	0873	GC	–
CB600	0874	316L	–
CC21S150	CM557860	GS	27, 76
CC21S150	7864	316L	–
CC21S200	7870	GS	–
CC21S200	7874	316L	–
CC21S300	7880	GS	–
CC21S300	7884	316L	–
CC21S400	7890	GS	–
CC21S400	7894	316L	–

Cablofil reference	Cat. Nos.	Finish	Page No.
CE25	CM558011	EZ	22, 67
CE25	8013	DC	–
CE25	8014	316L	–
CE25	8018	304L	–
CE30	CM558041	EZ	22, 67
CE30	8043	DC	–
CE30	8044	316L	–
CE30	8048	304L	–
CE40	CM350839	ZN+	22, 30, 83
CE40	CM558051	EZ	–
CE40	8053	DC	–
CE40	8054	316L	–
CE40	8058	304L	–
CE40	CM558410	GS	21, 64
CE40	8414	316L	–
CE40	8417	DC	–
CEQ	CM557300	GS	29, 81
CEQ	7303	GC	–
CEQ	7304	316L	–
CF105/100	CM000891	EZ	13, 47
CF105/100	0893	GC	–
CF105/100	0894	316L	–
CF105/100	0898	304L	–
CF105/150	0901	EZ	–
CF105/150	0903	GC	–
CF105/150	0904	316L	–
CF105/150	0908	304L	–
CF105/200	0911	EZ	–
CF105/200	0913	GC	–
CF105/200	0914	316L	–
CF105/200	0918	304L	–
CF105/300	0921	EZ	–
CF105/300	0923	GC	–
CF105/300	0924	316L	–
CF105/300	0928	304L	–
CF105/400	0931	EZ	–
CF105/400	0933	GC	–
CF105/400	0934	316L	–
CF105/400	0938	304L	–
CF105/450	1931	EZ	–
CF105/450	1933	GC	–
CF105/450	1934	316L	–
CF105/450	1938	304L	–
CF105/500	0941	EZ	–
CF105/500	0943	GC	–
CF105/500	0944	316L	–
CF105/500	0948	304L	–
CF105/600	1031	EZ	–
CF105/600	1033	GC	–
CF105/600	1034	316L	–
CF105/600	1038	304L	–
CF150/200	CM000951	EZ	14, 50
CF150/200	0953	GC	–
CF150/300	0961	EZ	–
CF150/300	0963	GC	–
CF150/400	0971	EZ	–
CF150/400	0973	GC	–
CF150/450	1011	EZ	–
CF150/450	1013	GC	–
CF150/500	1021	EZ	–
CF150/500	1023	GC	–
CF150/600	CM100985	EZ	14, 50
CF150/900	0983	EZ	–
CF30/50	CM000011	EZ	13, 48
CF30/50	0013	GC	–
CF30/50	0014	316L	–
CF30/50	0018	304L	–

Cablofil reference	Cat. Nos.	Finish	Page No.
CF30/100	CM000021	EZ	13, 48
CF30/100	0023	GC	–
CF30/100	0024	316L	–
CF30/100	0028	304L	–
CF30/150	0031	EZ	–
CF30/150	0033	GC	–
CF30/150	0034	316L	–
CF30/150	0038	304L	–
CF30/200	0041	EZ	–
CF30/200	0043	GC	–
CF30/200	0044	316L	–
CF30/200	0048	304L	–
CF30/300	0051	EZ	–
CF30/300	0053	GC	–
CF30/300	0054	316L	–
CF30/300	0058	304L	–
CF30/400	0801	EZ	–
CF30/450	0831	EZ	–
CF30/500	0811	EZ	–
CF30/600	0851	EZ	–
CF54/50	CM000061	EZ	11, 44
CF54/50	0062	EZ+	–
CF54/50	0063	GC	–
CF54/50	0064	316L	–
CF54/50	0068	304L	–
CF54/100	0071	EZ	–
CF54/100	0072	EZ+	–
CF54/100	0073	GC	–
CF54/100	0074	316L	–
CF54/100	0078	304L	–
CF54/150	0081	EZ	–
CF54/150	0082	EZ+	–
CF54/150	0083	GC	–
CF54/150	0084	316L	–
CF54/150	0088	304L	–
CF54/200	0091	EZ	–
CF54/200	0092	EZ+	–
CF54/200	0093	GC	–
CF54/200	0094	316L	–
CF54/200	0098	304L	–
CF54/300	0101	EZ	–
CF54/300	0102	EZ+	–
CF54/300	0103	GC	–
CF54/300	0104	316L	–
CF54/300	0108	304L	–
CF54/400	0201	EZ	–
CF54/400	0202	EZ+	–
CF54/400	0203	GC	–
CF54/400	0204	316L	–
CF54/400	0208	304L	–
CF54/450	0251	EZ	–
CF54/450	0252	EZ+	–
CF54/450	0253	GC	–
CF54/450	0254	316L	–
CF54/450	0258	304L	–
CF54/500	0301	EZ	–
CF54/500	0302	EZ+	–
CF54/500	0303	GC	–
CF54/500	0304	316L	–
CF54/500	0308	304L	–
CF54/600	0401	EZ	–
CF54/600	0402	EZ+	–
CF54/600	0403	GC	–
CF54/600	0404	316L	–
CF54/600	0408	304L	–
CF80/100	CM800101	EZ	14, 49
CF80/100	0103	GC	–

Cablofil reference	Cat. Nos.	Finish	Page No.
CF80/200	CM800201	EZ	14, 49
CF80/200	0203	GC	-
CF80/300	0301	EZ	-
CF80/300	0303	GC	-
CF80/400	0401	EZ	-
CF80/400	0403	GC	-
CF80/500	0501	EZ	-
CF80/500	0503	GC	-
CFG50/100	CM003221	EZ	14, 51
CFG50/100	3223	GC	-
CFG50/150	3231	EZ	-
CFG50/150	3233	GC	-
CFG50/200	3241	EZ	-
CFG50/200	3243	GC	-
CLEEDR	CM558260	EZ	20, 41
CLIPB	CM559177	PLAST	39, 107
CLIPG	9197	PLAST	-
CLIPJ	9157	PLAST	-
CLIPN	9127	PLAST	-
CLIPO	9147	PLAST	-
CLIPP	9117	PLAST	-
CLIPR	9187	PLAST	-
CLIPV	9167	PLAST	-
CLIPW	9137	PLAST	-
CLMFAS	CM559280	GS	36, 99
CLMFAS	9284	316L	-
CLMFAS	9287	ZM	-
CLMU	CM559090	GS	36, 100
CLMU	9097	ZM	-
CLN100	CM556200	GS	26, 76
CLN100	6203	GC	-
CLN150	6210	GS	-
CLN150	6213	GC	-
CLN200	6220	GS	-
CLN200	6223	GC	-
CLN300	6230	GS	-
CLN300	6233	GC	-
CM50	CM586060	GS	24, 37, 71, 102
CM50	6063	GC	-
CM50	6064	316L	-
CM50	6068	304L	-
CM50XL	CM350880	EZ+	24, 30, 34, 37, 71, 83, 92, 102
CM50XL	CM586130	GS	-
CM50XL	6133	GC	-
CM50XL	6134	316L	-
CM50XL	6138	304L	-
CM50XXL	CM586250	GS	37, 103
CM50XXL	6257	DC	-
COT30	CM923010	GS	17, 56
COT30	3013	GC	-
COT30	3014	316L	-
COT50	3020	GS	-
COT50	3023	GC	-
COT50	3024	316L	-
COT75	3030	GS	-
COT75	3033	GC	-
COT100	3040	GS	-
COT100	3043	GC	-
COT100	3044	316L	-
COTFIL30	CM586711	GS	17, 57
COTFIL30	6718	304L	-
COTFIL50	6721	GS	-
COTFIL50	6728	304L	-
COTFIL75	6731	GS	-
COTFIL75	6738	304L	-
COTFIL100	6741	GS	-
COTFIL100	6748	304L	-
COTFILU	CM350524	GS	17, 57
COTFILU	0531	316L	-

Cablofil reference	Cat. Nos.	Finish	Page No.
COTJ	CM923050	GS	17, 56
COTJ	3054	316L	-
COUPEFILGM	CM559507	-	41
CP35	CM755100	GS	16, 54
CP35	5103	GC	-
CP35	5104	316L	-
CP50	CM350881	EZ+	18, 58
CP50	CM646010	GS	-
CP50	6013	GC	-
CP50	6014	316L	-
CP100	CM350882	EZ+	-
CP100	CM646020	GS	-
CP100	6023	GC	-
CP100	6024	316L	-
CP150	CM350883	EZ+	-
CP150	CM646030	GS	-
CP150	6033	GC	-
CP150	6034	316L	-
CP200	CM350884	EZ+	-
CP200	CM646040	GS	-
CP200	6043	GC	-
CP200	6044	316L	-
CP300	CM350885	EZ+	-
CP300	CM646050	GS	-
CP300	6053	GC	-
CP300	6054	316L	-
CP400	CM350886	EZ+	-
CP400	CM646060	GS	-
CP400	6063	GC	-
CP400	CM646064	316L	-
CP450	6090	GS	-
CP450	6093	GC	-
CP450	6094	316L	-
CP500	CM350887	EZ+	-
CP500	CM646070	GS	-
CP500	6073	GC	-
CP500	6074	316L	-
CP600	CM350888	EZ+	-
CP600	CM646080	GS	-
CP600	6083	GC	-
CP600	6084	316L	-
CSN100	CM556100	GS	25, 72, 97
CSN100	6103	GC	-
CSN100	6104	316L	-
CSN100	6108	304L	-
CSN150	6110	GS	-
CSN150	6113	GC	-
CSN150	6114	316L	-
CSN150	6118	304L	-
CSN200	6120	GS	-
CSN200	6123	GC	-
CSN200	6124	316L	-
CSN200	6128	304L	-
CSN300	6130	GS	-
CSN300	6133	GC	-
CSN300	6134	316L	-
CSN300	6138	304L	-
CSN400	6140	GS	-
CSN400	6143	GC	-
CSN450	6150	GS	-
CSN450	6153	GC	-
CSNC100	CM556300	GS	25, 32, 73, 87
CSNC100	6303	GC	-
CSNC100	6304	316L	-
CSNC150	6310	GS	-
CSNC150	6313	GC	-
CSNC150	6314	316L	-
CSNC200	6320	GS	-
CSNC200	6323	GC	-
CSNC200	6324	316L	-

Cablofil reference	Cat. Nos.	Finish	Page No.
CSNC300	CM556330	GS	25, 32, 73, 87
CSNC300	6333	GC	-
CSNC400	6340	GS	-
CSNC400	6343	GC	-
CSNC450	6350	GS	-
CSNC450	6353	GC	-
CVN50	CM629050	GS	19, 58
CVN50	9053	GC	-
CVN50	9054	316L	-
CVN100	9100	GS	-
CVN100	9103	GC	-
CVN100	9104	316L	-
CVN150	9150	GS	-
CVN150	9153	GC	-
CVN150	9154	316L	-
CVN200	9200	GS	-
CVN200	9203	GC	-
CVN200	9204	316L	-
CVN300	9300	GS	-
CVN300	9303	GC	-
CVN400	9400	GS	-
CVN400	9403	GC	-
CVN450	9450	GS	-
CVN450	9453	GC	-
CVN500	9500	GS	-
CVN500	9503	GC	-
CVN600	9600	GS	-
CVN600	9603	GC	-
DEV50	CM350535	PLAST	39, 106
DEV100	CM585160	GS	39, 106
DEV100	5164	316L	-
DEV100	5167	ZM	-
ED250/90	CM558211	EZ	20, 61
ED250/90	8213	GC	-
ED250/90	8214	316L	-
ED275	CM558221	EZ	20, 62
ED275	8223	GC	-
ED275	8224	316L	-
ED275	8228	304L	-
ED1100	CM558201	EZ	20, 62
ED1100	8203	GC	-
ED1100	8204	316L	-
EDF600	CM557610	GS	28, 74-75
EDF600	7613	GC	-
EDF1000	CM561090	GS	28, 74-75
EDF1000	1093	GC	-
EDF2000	CM561010	GS	28, 33, 74-75, 89-90
EDF2000	1013	GC	-
EDF2000	1014	316L	-
EDF2000	1018	304L	-
EDF3000	CM561020	GS	28, 74-75
EDF3000	1023	GC	-
EDRN	CM558241	EZ	20, 59
EDRN	8242	EZ+	-
EDRN	8247	DC	-
EEC6	CM801201	EZ	41
EEC6	1204	316L	-
EEC8	1211	EZ	-
EF400	CM559201	EZ	36, 101
EF600	9211	EZ	-
EPVCSN	CM559605	PVC	25, 32, 72, 87, 97
EXT-SCF50	CM586810	GS	31, 84
EXT-SCF100	6820	GS	-
EXT-SCF150	6830	GS	-
EXT-SCF325	6840	GS	-
F01	CM646220	GS	19, 58
F02	6200	GC	-
F03	6210	GS	-

Cablofil reference	Cat. Nos.	Finish	Page No.
FAS ROLLER	CM011100	GS	39, 107
FASLOCK AUTO S	CM350835	ZN+	21, 63
FASLOCK AUTO S	CM558340	EZ	-
FASLOCK AUTO S	8344	316L	-
FASLOCK AUTO S	8347	DC	-
FASLOCK AUTO XL	CM350836	ZN+	-
FASLOCK AUTO XL	CM558320	EZ	-
FASLOCK AUTO XL	8324	316L	-
FASLOCK AUTO XL	8327	DC	-
FASTRUT41	CM599007	DC	22, 66
FCF54/50	CM081064	316L	12, 46
FCF54/50	1068	304L	-
FCF54/100	1074	316L	-
FCF54/100	1078	304L	-
FCF54/150	1084	316L	-
FCF54/150	1088	304L	-
FCF54/200	1094	316L	-
FCF54/200	1098	304L	-
FCFA54/50	CM082061	EZ	12, 45
FCFA54/100	2071	EZ	-
FCFA54/150	2081	EZ	-
FCFA54/200	2091	EZ	-
FCFA54/300	2101	EZ	-
FCFA54/400	2201	EZ	-
FCFA54/450	2251	EZ	-
FCFA54/500	2301	EZ	-
FCFA54/600	2401	EZ	-
FTX	CM586180	GS	16, 35, 54, 55, 95
FTX	6183	DC	-
FTX	6184	316L	-
FV1	CM586070	GS	27, 78
FV1	6073	DC	-
FV1	6074	316L	-
G-MINI	CM430111	EZ	16, 55
G-MINI	0114	316L	-
GRIFEQUIP	CM585327	AL	40, 109
GRIFEQUIP 2	CM585427	AL	-
HDF105/100	CM450621	EZ	15, 52
HDF105/100	0623	GC	-
HDF105/100	0624	316L	-
HDF105/150	0631	EZ	-
HDF105/150	0633	GC	-
HDF105/150	0634	316L	-
HDF105/200	0641	EZ	-
HDF105/200	0643	GC	-
HDF105/200	0644	316L	-
HDF105/300	0661	EZ	-
HDF105/300	0663	GC	-
HDF105/300	0664	316L	-
HDF105/400	0681	EZ	-
HDF105/400	0683	GC	-
HDF105/400	0684	316L	-
HDF105/500	0701	EZ	-
HDF105/500	0703	GC	-
HDF105/500	0704	316L	-
HDF105/600	0721	EZ	-
HDF105/600	0723	GC	-
HDF105/600	0724	316L	-
INTERFAS	CM557800	GS	28, 72
INTERFAS	7803	DC	-
KITASSTR	CM350837	ZN+	23, 67
KITASSTR	CM558081	EZ	-
KITASSTR	8084	316L	-

Cablofil reference	Cat. Nos.	Finish	Page No.
KITASSTR	CM558087	DC	23, 67
KITASSVS	CM558071	EZ	-
KITASSVS	8077	DC	-
KITFIXTR	CM558091	EZ	-
KITFIXTR	8097	DC	-
KITFIXVS	CM558061	EZ	-
KITFIXVS	8067	DC	-
KITINOX	CM558954	316L	-
MFM100	CM585140	GS	38, 105
MFM100	5143	ZM	-
MFM100	5144	316L	-
MFM150	5150	GS	-
MFM150	5153	ZM	-
MFPOLYA	CM585145	POLYA	38, 105
PA1	CM840101	EZ	39, 108
PA1	0103	GC	-
PA2	0111	EZ	-
PA2	0113	GC	-
PA4	0131	EZ	-
PA4	0133	GC	-
PFR41S	CM595380	GS	33, 91
PFREDF	CM561080	GS	33, 90
PFREDF	1084	316L	-
PFSCF	CM586210	GS	31, 84
R15/100	CM586170	GS	21, 27, 34, 65, 77, 94
R15/100	6173	ZM	-
R15/100	6174	316L	-
R15/300	CM586610	GS	-
R15/300	6617	ZM	-
R25	CM586640	GS	21, 27, 34, 65, 77, 94
R25	6647	ZM	-
R35	CM586650	GS	-
R35	6657	ZM	-
R41SP3000	CM343930	GS	28, 33, 74-75, 91
R41SP3000	3932	EZ+	-
R50	CM348530	GS	27, 34, 77, 94
R50	8531	316L	-
R50	8532	GC	-
RCSN150	CM013150	GS	28, 33, 34, 79, 85, 88, 93, 98-99
RCSN150	3153	GC	-
RCSN150	3154	316L	-
RCSN200	3200	GS	-
RCSN200	3203	GC	-
RCSN200	3204	316L	-
RCSN300	3300	GS	-
RCSN300	3303	GC	-
RCSN300	3304	316L	-
RCSN400	3400	GS	-
RCSN400	3403	GC	-
RCSN400	3404	316L	-
RCSN500	3500	GS	-
RCSN500	3503	GC	-
RCSN500	3504	316L	-
RCSN550	3550	GS	-
RCSN550	3553	GC	-
RCSN600	3600	GS	-
RCSN600	3603	GC	-
RCSN600	3604	316L	-
RCSN700	3700	GS	-
RCSN1000	3010	GS	-
RCSN1000	3013	GC	-
RCSN1000	3014	316L	-
RCSN2000	3020	GS	-
RCSN2000	3023	GC	-
RCSN2000	3024	316L	-

Cablofil reference	Cat. Nos.	Finish	Page No.
RCSN2000	CM013028	304L	28, 33, 34, 79, 85, 88, 93, 98-99
RCSN3000	3030	GS	-
RCSN3000	3033	GC	-
RCSN3000	3034	316L	-
RCSN3000	3038	304L	-
RCSN3000	CM350889	EZ+	-
SAS	CM586031	EZ	16, 30, 55, 82
SAS	6037	DC	-
SBDN	CM350575	GS	38, 104
SBDN	0576	ZM	-
SBU	CM585090	GS	40, 109
SBU	5093	GC	-
SBU	5094	316L	-
SCF200	CM586200	GS	31, 84
SCF300	6300	GS	-
SCF400	6400	GS	-
SCF450	6450	GS	-
SCF500	6500	GS	-
SCF600	6600	GS	-
SF50	CM586140	GS	29, 80
SF50	6143	GC	-
SF50	6144	316L	-
SF100	CM586100	GS	29, 80
SF100	6103	GC	-
SF100	6104	316L	-
SL50	CM585180	GS	29, 38, 80, 105
SL100	CM585190	GS	38, 105
TRIHDRF80/100	CM001113	GC	15, 53
TXF35	CM755001	EZ	16, 54
TXF35	5003	GC	-
TXF35	5004	316L	-
TXF35	5008	304L	-
UC35	CM586160	GS	16, 54, 55
UC35	6163	GC	-
UC35	6164	316L	-
UC50	CM586040	GS	24, 29, 35, 68, 81, 96
UC50	6043	GC	-
UC50	6044	316L	-
UC50	6048	304L	-
UCS	CM586150	GS	31, 85
UCS	6153	GC	-
UCS	6154	316L	-
UFC	CM559220	GS	35, 97-98
Z240	CM558293	GC	20, 61
Flat washers			
M6	FW06	-	41
M8	FW08	-	-
M10	FW10	-	-
M12	FW12	-	-
Hexagon nuts			
M6	HN06	-	41
M8	HN08	-	-
M10	HN10	-	-
M12	HN12	-	-
Threaded rod			
M6	TR06	-	41
M8	TR08	-	-
M10	TR10	-	-
M12	TR12	-	-

Index

By order of Legrand Cat. Nos.

Cat. Nos.	Cablofil reference	Finish	Page No.	Cat. Nos.	Cablofil reference	Finish	Page No.	Cat. Nos.	Cablofil reference	Finish	Page No.
CM000011	CF30/50	EZ	3, 48	CM000831	CF30/450	EZ	13, 48	CM013200	RCSN200	GS	28, 33, 34, 79, 85,88, 93, 98-99
0013	CF30/50	GC	-	0851	CF30/600	EZ	-	3203	RCSN200	GC	-
0014	CF30/50	316L	-	CM000891	CF105/100	EZ	13, 47	3204	RCSN200	316L	-
0018	CF30/50	304L	-	0893	CF105/100	GC	-	3300	RCSN300	GS	-
0021	CF30/100	EZ	-	0894	CF105/100	316L	-	3303	RCSN300	GC	-
0023	CF30/100	GC	-	0898	CF105/100	304L	-	3304	RCSN300	316L	-
0024	CF30/100	316L	-	0901	CF105/150	EZ	-	3400	RCSN400	GS	-
0028	CF30/100	304L	-	0903	CF105/150	GC	-	3403	RCSN400	GC	-
0031	CF30/150	EZ	-	0904	CF105/150	316L	-	3404	RCSN400	316L	-
0033	CF30/150	GC	-	0908	CF105/150	304L	-	3500	RCSN500	GS	-
0034	CF30/150	316L	-	0911	CF105/200	EZ	-	3503	RCSN500	GC	-
0038	CF30/150	304L	-	0913	CF105/200	GC	-	3504	RCSN500	316L	-
0041	CF30/200	EZ	-	0914	CF105/200	316L	-	3550	RCSN550	GS	-
0043	CF30/200	GC	-	0918	CF105/200	304L	-	3553	RCSN550	GC	-
0044	CF30/200	316L	-	0921	CF105/300	EZ	-	3600	RCSN600	GS	-
0048	CF30/200	304L	-	0923	CF105/300	GC	-	3603	RCSN600	GC	-
0051	CF30/300	EZ	-	0924	CF105/300	316L	-	3604	RCSN600	316L	-
0053	CF30/300	GC	-	0928	CF105/300	304L	-	3700	RCSN700	GS	-
0054	CF30/300	316L	-	0931	CF105/400	EZ	-	CM081064	FCF54/50	316L	12, 46
0058	CF30/300	304L	-	0933	CF105/400	GC	-	1068	FCF54/50	304L	-
CM000061	CF54/50	EZ	11, 44	0934	CF105/400	316L	-	1074	FCF54/100	316L	-
0062	CF54/50	EZ+	-	0938	CF105/400	304L	-	1078	FCF54/100	304L	-
0063	CF54/50	GC	-	0941	CF105/500	EZ	-	1084	FCF54/150	316L	-
0064	CF54/50	316L	-	0943	CF105/500	GC	-	1088	FCF54/150	304L	-
0068	CF54/50	304L	-	0944	CF105/500	316L	-	1094	FCF54/200	316L	-
0071	CF54/100	EZ	-	0948	CF105/500	304L	-	1098	FCF54/200	304L	-
0072	CF54/100	EZ+	-	CM000951	CF150/200	EZ	14, 50	CM082061	FCFA54/50	EZ	12, 45
0073	CF54/100	GC	-	0953	CF150/200	GC	-	2071	FCFA54/100	EZ	-
0074	CF54/100	316L	-	0961	CF150/300	EZ	-	2081	FCFA54/150	EZ	-
0078	CF54/100	304L	-	0963	CF150/300	GC	-	2091	FCFA54/200	EZ	-
0081	CF54/150	EZ	-	0971	CF150/400	EZ	-	2101	FCFA54/300	EZ	-
0082	CF54/150	EZ+	-	0973	CF150/400	GC	-	2201	FCFA54/400	EZ	-
0083	CF54/150	GC	-	1011	CF150/450	EZ	-	2251	FCFA54/450	EZ	-
0084	CF54/150	316L	-	1013	CF150/450	GC	-	2301	FCFA54/500	EZ	-
0088	CF54/150	304L	-	1021	CF150/500	EZ	-	2401	FCFA54/600	EZ	-
0091	CF54/200	EZ	-	1023	CF150/500	GC	-	CM100983	CF150/900	EZ	14, 50
0092	CF54/200	EZ+	-	CM001031	CF105/600	EZ	13, 47	0985	CF150/600	EZ	-
0093	CF54/200	GC	-	1033	CF105/600	GC	-	CM343930	R41SP3000	GS	28, 33, 74-75, 91
0094	CF54/200	316L	-	1034	CF105/600	316L	-	3932	R41SP3000	EZ+	-
0098	CF54/200	304L	-	1038	CF105/600	304L	-	CM348530	R50	GS	27, 34, 77, 94
0101	CF54/300	EZ	-	CM001113	TRIHDF80/100	GC	15, 53	8531	R50	316L	-
0102	CF54/300	EZ+	-	CM001931	CF105/450	EZ	13, 47	8532	R50	GC	-
0103	CF54/300	GC	-	1933	CF105/450	GC	-	CM350524	COTFILU	GS	17, 57
0104	CF54/300	316L	-	1934	CF105/450	316L	-	0531	COTFILU	316L	-
0108	CF54/300	304L	-	1938	CF105/450	304L	-	CM350535	DEV50	PLAST	39, 106
0201	CF54/400	EZ	-	CM003221	CFG50/100	EZ	14, 51	CM350575	SBDN	GS	38, 104
0202	CF54/400	EZ+	-	3223	CFG50/100	GC	-	0576	SBDN	ZM	-
0203	CF54/400	GC	-	3231	CFG50/150	EZ	-	CM350587	AS	ZN+	32, 86
0204	CF54/400	316L	-	3233	CFG50/150	GC	-	CM350810	CB100	GS	26, 74-75
0208	CF54/400	304L	-	3241	CFG50/200	EZ	-	0812	CB100	EZ+	-
0251	CF54/450	EZ	-	3243	CFG50/200	GC	-	0813	CB100	GC	-
0252	CF54/450	EZ+	-	CM011100	FAS ROLLER	GS	39, 107	0814	CB100	316L	-
0253	CF54/450	GC	-	CM013010	RCSN1000	GS	28, 33, 34, 79, 85,88, 93, 98-99	0820	CB150	GS	-
0254	CF54/450	316L	-	3013	RCSN1000	GC	-	0822	CB150	EZ+	-
0258	CF54/450	304L	-	3014	RCSN1000	316L	-	0823	CB150	GC	-
0301	CF54/500	EZ	-	3020	RCSN2000	GS	-	0824	CB150	316L	-
0302	CF54/500	EZ+	-	3023	RCSN2000	GC	-	0830	CB200	GS	-
0303	CF54/500	GC	-	3024	RCSN2000	316L	-	0832	CB200	EZ+	-
0304	CF54/500	316L	-	3028	RCSN2000	304L	-	0833	CB200	GC	-
0308	CF54/500	304L	-	3030	RCSN3000	GS	-	0834	CB200	316L	-
0401	CF54/600	EZ	-	3033	RCSN3000	GC	-	CM350835	FASLOCK AUTO S	ZN+	21, 63
0402	CF54/600	EZ+	-	3034	RCSN3000	316L	-	0836	FASLOCK AUTO XL	ZN+	-
0403	CF54/600	GC	-	3038	RCSN3000	304L	-	CM350837	KITASSTR	ZN+	23, 67
0404	CF54/600	316L	-	3150	RCSN150	GS	-	CM350839	CE40	ZN+	22, 30, 83
0408	CF54/600	304L	-	3153	RCSN150	GC	-	CM350840	CB300	GS	26, 74-75
CM000801	CF30/400	EZ	13, 48	3154	RCSN150	316L	-				
0811	CF30/500	EZ	-								

Cat. Nos.	Cablofil reference	Finish	Page No.
CM350842	CB300	EZ+	26, 74-75
0843	CB300	GC	-
0844	CB300	316L	-
0850	CB400	GS	-
0852	CB400	EZ+	-
0853	CB400	GC	-
0854	CB400	316L	-
0860	CB500	GS	-
0862	CB500	EZ+	-
0863	CB500	GC	-
0864	CB500	316L	-
0870	CB600	GS	-
0872	CB600	EZ+	-
0873	CB600	GC	-
0874	CB600	316L	-
CM350880	CM50XL	EZ+	24, 30, 34, 37, 71, 83, 92, 102
CM350881	CP50	EZ+	18, 58
0882	CP100	EZ+	-
0883	CP150	EZ+	-
0884	CP200	EZ+	-
0885	CP300	EZ+	-
0886	CP400	EZ+	-
0887	CP500	EZ+	-
0888	CP600	EZ+	-
CM350889	RCSN3000	EZ+	28, 33, 34, 79, 85, 88, 93, 98-99
CM430111	G-MINI	EZ	16, 55
0114	G-MINI	316L	-
CM450621	HDF105/100	EZ	15, 52
0623	HDF105/100	GC	-
0624	HDF105/100	316L	-
0631	HDF105/150	EZ	-
0633	HDF105/150	GC	-
0634	HDF105/150	316L	-
0641	HDF105/200	EZ	-
0643	HDF105/200	GC	-
0644	HDF105/200	316L	-
0661	HDF105/300	EZ	-
0663	HDF105/300	GC	-
0664	HDF105/300	316L	-
0681	HDF105/400	EZ	-
0683	HDF105/400	GC	-
0684	HDF105/400	316L	-
0701	HDF105/500	EZ	-
0703	HDF105/500	GC	-
0704	HDF105/500	316L	-
0721	HDF105/600	EZ	-
0723	HDF105/600	GC	-
0724	HDF105/600	316L	-
CM556100	CSN100	GS	25, 72, 97
6103	CSN100	GC	-
6104	CSN100	316L	-
6108	CSN100	304L	-
6110	CSN150	GS	-
6113	CSN150	GC	-
6114	CSN150	316L	-
6118	CSN150	304L	-
6120	CSN200	GS	-
6123	CSN200	GC	-
6124	CSN200	316L	-
6128	CSN200	304L	-
6130	CSN300	GS	-
6133	CSN300	GC	-
6134	CSN300	316L	-
6138	CSN300	304L	-
6140	CSN400	GS	-
6143	CSN400	GC	-
6150	CSN450	GS	-

Cat. Nos.	Cablofil reference	Finish	Page No.
CM556153	CSN450	GC	25, 72, 97
CM556200	CLN100	GS	26, 76
6203	CLN100	GC	-
6210	CLN150	GS	-
6213	CLN150	GC	-
6220	CLN200	GS	-
6223	CLN200	GC	-
6230	CLN300	GS	-
6233	CLN300	GC	-
CM556300	CSNC100	GS	25, 32, 73, 87
6303	CSNC100	GC	-
6304	CSNC100	316L	-
6310	CSNC150	GS	-
6313	CSNC150	GC	-
6314	CSNC150	316L	-
6320	CSNC200	GS	-
6323	CSNC200	GC	-
6324	CSNC200	316L	-
6330	CSNC300	GS	-
6333	CSNC300	GC	-
6340	CSNC400	GS	-
6343	CSNC400	GC	-
6350	CSNC450	GS	-
6353	CSNC450	GC	-
CM557300	CEQ	GS	29, 81
7303	CEQ	GC	-
7304	CEQ	316L	-
CM557610	EDF600	GS	28, 74-75
7613	EDF600	GC	-
CM557800	INTERFAS	GS	28, 72
7803	INTERFAS	DC	-
CM557860	CC21S150	GS	27, 76
7864	CC21S150	316L	-
7870	CC21S200	GS	-
7874	CC21S200	316L	-
7880	CC21S300	GS	-
7884	CC21S300	316L	-
7890	CC21S400	GS	-
7894	CC21S400	316L	-
CM558011	CE25	EZ	22, 67
8013	CE25	DC	-
8014	CE25	316L	-
8018	CE25	304L	-
CM558041	CE30	EZ	22, 67
8043	CE30	DC	-
8044	CE30	316L	-
8048	CE30	304L	-
CM558051	CE40	EZ	22, 30, 83
8053	CE40	DC	-
8054	CE40	316L	-
8058	CE40	304L	-
CM558061	KITFIXVS	EZ	23, 67
8067	KITFIXVS	DC	-
CM558071	KITASSVS	EZ	-
8077	KITASSVS	DC	-
CM558081	KITASSTR	EZ	-
8084	KITASSTR	316L	-
8087	KITASSTR	DC	-
CM558091	KITFIXTR	EZ	-
8097	KITFIXTR	DC	-
CM558201	ED1100	EZ	20, 62
8203	ED1100	GC	-
8204	ED1100	316L	-
CM558211	ED250/90	EZ	20, 61
8213	ED250/90	GC	-
8214	ED250/90	316L	-
CM558221	ED275	EZ	20, 62
8223	ED275	GC	-
8224	ED275	316L	-
8228	ED275	304L	-

Cat. Nos.	Cablofil reference	Finish	Page No.
CM558241	EDRN	EZ	20, 59
8242	EDRN	EZ+	-
8247	EDRN	DC	-
CM558260	CLEEDR	EZ	20, 41
CM558280	AUTOCLIC	GS	20, 60
8283	AUTOCLIC	GC	-
8284	AUTOCLIC	316L	-
8288	AUTOCLIC	304L	-
CM558293	Z240	GC	20, 61
CM558320	FASLOCK AUTO XL	EZ	21, 63
8324	FASLOCK AUTO XL	316L	-
8327	FASLOCK AUTO XL	DC	-
8340	FASLOCK AUTO S	EZ	-
8344	FASLOCK AUTO S	316L	-
8347	FASLOCK AUTO S	DC	-
CM558410	CEFAS	GS	21, 64
8414	CEFAS	316L	-
8417	CEFAS	DC	-
CM558954	KITINOX	316L	23, 67
CM559090	CLMU	GS	36, 100
9097	CLMU	ZM	-
CM559117	CLIPP	PLAST	39, 107
9127	CLIPN	PLAST	-
9137	CLIPW	PLAST	-
9147	CLIPO	PLAST	-
9157	CLIPJ	PLAST	-
9167	CLIPV	PLAST	-
9177	CLIPB	PLAST	-
9187	CLIPR	PLAST	-
9197	CLIPG	PLAST	-
CM559201	EF400	EZ	36, 101
9211	EF600	EZ	-
CM559220	UFC	GS	35, 97-98
CM559280	CLMFAS	GS	36, 99
9284	CLMFAS	316L	-
9287	CLMFAS	ZM	-
CM559507	COUPEFILGM	-	41
CM559605	EPVCSN	PVC	25, 32, 72, 87, 97
CM559617	BRP	-	41
CM559677	CABLOGRIP	-	39, 107
CM561010	EDF2000	GS	28, 33, 74-75, 89-90
1013	EDF2000	GC	-
1014	EDF2000	316L	-
1018	EDF2000	304L	-
1020	EDF3000	GS	28, 74-75
1023	EDF3000	GC	-
CM561080	PFREDF	GS	33, 90
1084	PFREDF	316L	-
CM561090	EDF1000	GS	28, 74-75
1093	EDF1000	GC	-
CM585090	SBU	GS	40, 109
5093	SBU	GC	-
5094	SBU	316L	-
CM585140	MFM100	GS	38, 105
5143	MFM100	ZM	-
5144	MFM100	316L	-
CM585145	MFPOLYA	POLYA	38, 105
CM585150	MFM150	GS	38, 105
5153	MFM150	ZM	-
CM585160	DEV100	GS	39, 106
5164	DEV100	316L	-
5167	DEV100	ZM	-
CM585180	SL50	GS	29, 38, 80, 105
CM585190	SL100	GS	38, 105

Cat. Nos.	Cablofil reference	Finish	Page No.
CM585327	GRIFEQUIP	AL	40, 109
CM585387	BLF6/16	CU	40, 108
5397	BLF6/35	CU	-
5407	BLF6/50	CU	-
CM585427	GRIFEQUIP 2	AL	40, 109
CM586020	AS	GS	32, 86
6023	AS	DC	-
6024	AS	316L	-
CM586031	SAS	EZ	16, 30, 55, 82
6037	SAS	DC	-
CM586040	UC50	GS	24, 29, 35, 68, 81, 96
6043	UC50	GC	-
6044	UC50	316L	-
6048	UC50	304L	-
CM586050	CAT30	GS	24, 69
6054	CAT30	316L	-
6057	CAT30	DC	-
6058	CAT30	304L	-
CM586060	CM50	GS	24, 37, 71, 102
6063	CM50	GC	-
6064	CM50	316L	-
6068	CM50	304L	-
CM586070	FV1	GS	27, 78
6073	FV1	DC	-
6074	FV1	316L	-
CM586100	SF100	GS	29, 80
6103	SF100	GC	-
6104	SF100	316L	-
CM586130	CM50XL	GS	24, 30, 34, 37, 71, 83, 92, 102
6133	CM50XL	GC	-
6134	CM50XL	316L	-
6138	CM50XL	304L	-
CM586140	SF50	GS	29, 80
6143	SF50	GC	-
6144	SF50	316L	-
CM586150	UCS	GS	31, 85
6153	UCS	GC	-
6154	UCS	316L	-
CM586160	UC35	GS	16, 54, 55
6163	UC35	GC	-
6164	UC35	316L	-
CM586170	R15/100	GS	21, 27, 34, 65, 77, 94
6173	R15/100	ZM	-
6174	R15/100	316L	-
CM586180	FTX	GS	16, 35, 54, 55, 95
6183	FTX	DC	-
6184	FTX	316L	-
CM586190	CAT40	GS	24, 37, 70, 102
6194	CAT40	316L	-
6197	CAT40	DC	-
CM586200	SCF200	GS	31, 84
CM586210	PFSCF	GS	31, 84
CM586250	CM50XXL	GS	37, 103
6257	CM50XXL	DC	-
CM586300	SCF300	GS	31, 84
6400	SCF400	GS	-
6450	SCF450	GS	-
6500	SCF500	GS	-
6600	SCF600	GS	-
CM586610	R15/300	GS	21, 27, 34, 65, 77, 94
6617	R15/300	ZM	-
CM586640	R25	GS	21, 27, 34, 65, 77, 94
6647	R25	ZM	-
6650	R35	GS	-

Cat. Nos.	Cablofil reference	Finish	Page No.
CM586657	R35	ZM	21, 27, 34, 65, 77, 94
CM586711	COTFIL30	GS	17, 57
6718	COTFIL30	304L	-
6721	COTFIL50	GS	-
6728	COTFIL50	304L	-
6731	COTFIL75	GS	-
6738	COTFIL75	304L	-
6741	COTFIL100	GS	-
6748	COTFIL100	304L	-
CM586810	EXT-SCF50	GS	31, 84
6820	EXT-SCF100	GS	-
6830	EXT-SCF150	GS	-
6840	EXT-SCF325	GS	-
CM595380	PFR41S	GS	33, 91
CM599007	FASTRUT41	DC	22, 66
CM629050	CVN50	GS	19, 58
9053	CVN50	GC	-
9054	CVN50	316L	-
9100	CVN100	GS	-
9103	CVN100	GC	-
9104	CVN100	316L	-
9150	CVN150	GS	-
9153	CVN150	GC	-
9154	CVN150	316L	-
9200	CVN200	GS	-
9203	CVN200	GC	-
9204	CVN200	316L	-
9300	CVN300	GS	-
9303	CVN300	GC	-
9400	CVN400	GS	-
9403	CVN400	GC	-
9450	CVN450	GS	-
9453	CVN450	GC	-
9500	CVN500	GS	-
9503	CVN500	GC	-
9600	CVN600	GS	-
9603	CVN600	GC	-
CM646010	CP50	GS	18, 58
6013	CP50	GC	-
6014	CP50	316L	-
6020	CP100	GS	-
6023	CP100	GC	-
6024	CP100	316L	-
6030	CP150	GS	-
6033	CP150	GC	-
6034	CP150	316L	-
6040	CP200	GS	-
6043	CP200	GC	-
6044	CP200	316L	-
6050	CP300	GS	-
6053	CP300	GC	-
6054	CP300	316L	-
6060	CP400	GS	-
6063	CP400	GC	-
6064	CP400	316L	-
6070	CP500	GS	-
6073	CP500	GC	-
6074	CP500	316L	-
6080	CP600	GS	-
6083	CP600	GC	-
6084	CP600	316L	-
6090	CP450	GS	-
6093	CP450	GC	-
6094	CP450	316L	-
CM646200	F02	GS	19, 58
6210	F03	GS	-
6220	F01	GS	-
CM755001	TXF35	EZ	16, 54
5003	TXF35	GC	-

Cat. Nos.	Cablofil reference	Finish	Page No.
CM755004	TXF35	316L	16, 54
5008	TXF35	304L	-
CM755100	CP35	GS	16, 54
5103	CP35	GC	-
5104	CP35	316L	-
CM800101	CF80/100	EZ	14, 49
0103	CF80/100	GC	-
0201	CF80/200	EZ	-
0203	CF80/200	GC	-
0301	CF80/300	EZ	-
0303	CF80/300	GC	-
0401	CF80/400	EZ	-
0403	CF80/400	GC	-
0501	CF80/500	EZ	-
0503	CF80/500	GC	-
CM801001	BTRCC 6 x 12	EZ	41
1004	BTRCC 6 x 12	316L	-
1007	BTRCC 6 x 12	DC	-
1008	BTRCC 6 x 12	304L	-
CM801011	BTRCC 6 x 20	EZ	22, 41, 67
1014	BTRCC 6 x 20	316L	-
1017	BTRCC 6 x 20	DC	-
1018	BTRCC 6 x 20	304L	-
CM801021	BTRCC 6 x 30	EZ	41
1027	BTRCC 6 x 30	DC	-
CM801111	BTRL 8 x 15	EZ	41
CM801201	EEC6	EZ	41
1204	EEC6	316L	-
1211	EEC8	EZ	-
CM840101	PA1	EZ	39, 108
0103	PA1	GC	-
0111	PA2	EZ	-
0113	PA2	GC	-
0131	PA4	EZ	-
0133	PA4	GC	-
CM923010	COT30	GS	17, 56
3013	COT30	GC	-
3014	COT30	316L	-
3020	COT50	GS	-
3023	COT50	GC	-
3024	COT50	316L	-
3030	COT75	GS	-
3033	COT75	GC	-
3040	COT100	GS	-
3043	COT100	GC	-
3044	COT100	316L	-
CM923050	COTJ	GS	17, 56
3054	COTJ	316L	-
Flat washers			
FW06	M6	-	41
FW08	M8	-	-
FW10	M10	-	-
FW12	M12	-	-
Hexagon nuts			
HN06	M6	-	41
HN08	M8	-	-
HN10	M10	-	-
HN12	M12	-	-
Threaded rod			
TR06	M6	-	41
TR08	M8	-	-
TR10	M10	-	-
TR12	M12	-	-

Conditions of sale
please consult our current price list

In accordance with its policy of continuous improvement, the Company reserves the right to change specifications and designs without notice. All illustrations, descriptions, dimensions and weights in this catalogue are for guidance and cannot be held binding on the Company. All contents and design presentation included in this publication are © Legrand Electric Limited. All rights reserved. 2018

Contact details

United Kingdom

Great King Street North,
Birmingham, B19 2LF

Customer Services:

Tel: +44 (0) 345 605 4333 Fax: +44 (0) 345 605 4334
E-mail: legrand.sales@legrand.co.uk

Quotations and Technical Support

Tel: +44 (0) 345 608 9020 Fax: +44 (0) 345 605 5334
E-mail: uk-cmsales@legrand.co.uk

Republic of Ireland:

Tel: 01 295 9673 Fax: 01 295 4671
E-mail: legrand.sales@legrand.co.uk



FOLLOW US AT

- @ www.legrand.co.uk
www.legrand.ie
-  www.youtube.com/legrandtvuk
-  www.voltimum.co.uk
www.voltimum.ie
-  www.twitter.com/legranduk



Head office (UK and Ireland):

Legrand Electric Limited
Great King Street North, Birmingham, B19 2LF
Tel: +44 (0) 370 608 9000 Fax: +44 (0) 370 608 9004
Website: www.legrand.co.uk

In accordance with its policy of continuous improvement, the Company reserves the right to change specifications and designs without notice. All illustrations, descriptions, dimensions and weights in this catalogue are for guidance and cannot be held binding on the Company. All contents and design presentation included in this publication are © Legrand Electric Limited. All rights reserved. 2018



This document is printed on sustainably sourced paper. Please recycle.

The Legrand logo is a registered trademark of the Legrand group of companies.