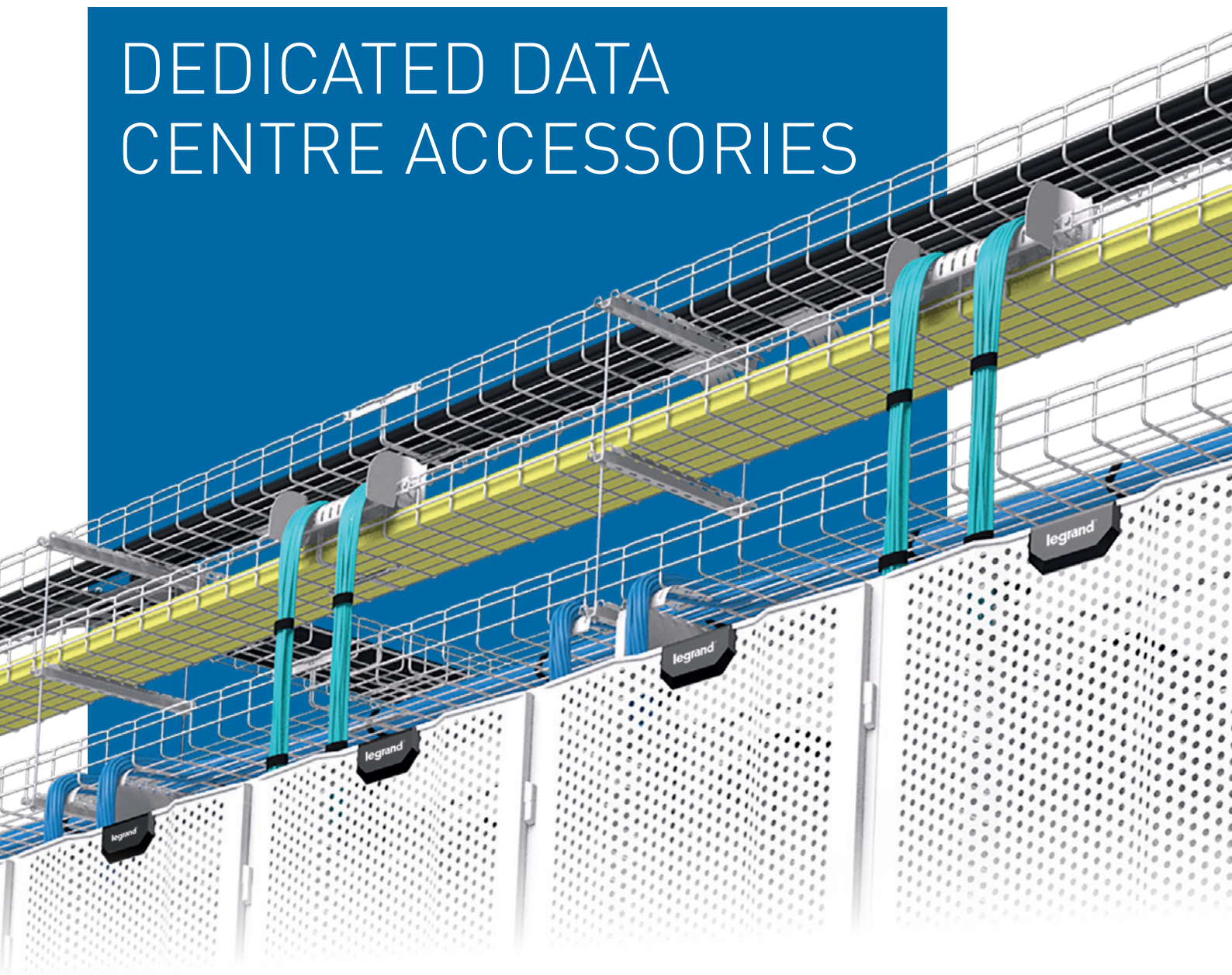


CABLOFIL ACCESSORIES  
FOR STEEL WIRE CABLE TRAYS

# DEDICATED DATA CENTRE ACCESSORIES



CABLE MANAGEMENT  
IN DATA CENTRES

POWERED BY SPECIALISTS

 **legrand**

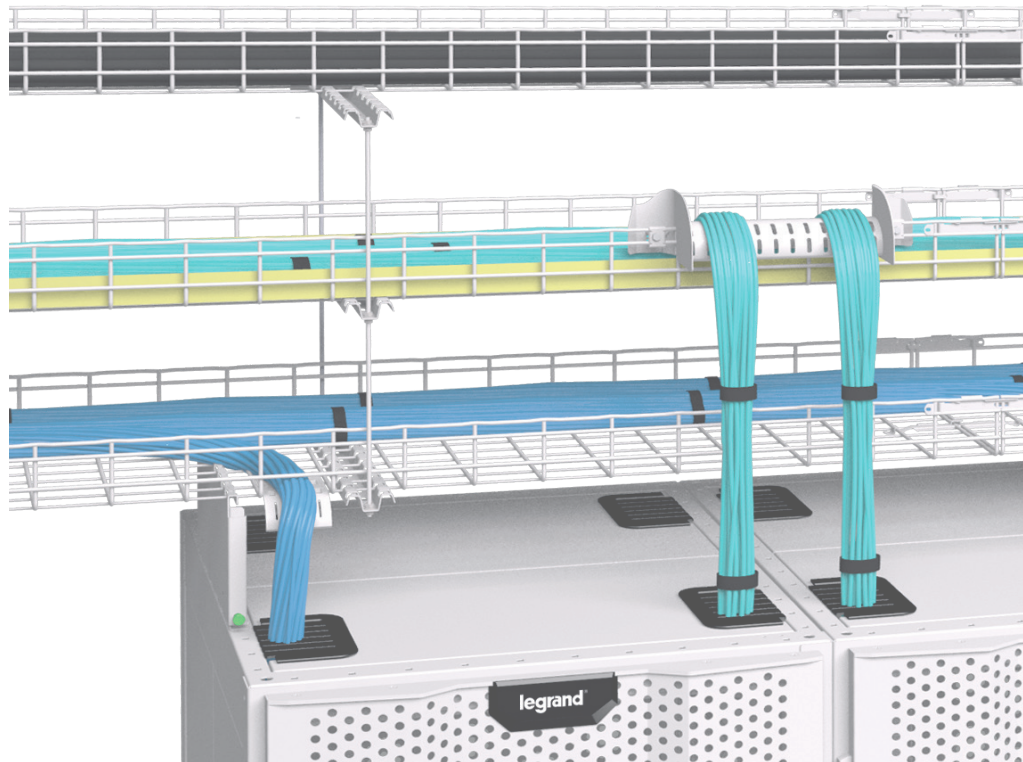
# SAFETY AND SCALABILITY AT THE HEART OF DATA CENTRES

The environment around modern data centres is extremely dynamic and constantly evolving.

Cablofil steel wire cable trays and cable management accessories dedicated to data centres are designed to ensure perfect compatibility with the various types of cable.

Cablofil's dedicated data centre accessories are cable-friendly, ensuring cable bend radius requirements are respected. The accessories provide optimum support and are manufactured to ensure a smooth finish to reduce the risk of damaging cables.

These accessories are also extremely quick to install meaning that any downtime is reduced. Thanks to the wire mesh system, installations are fully scalable in the event of any reconfiguration.



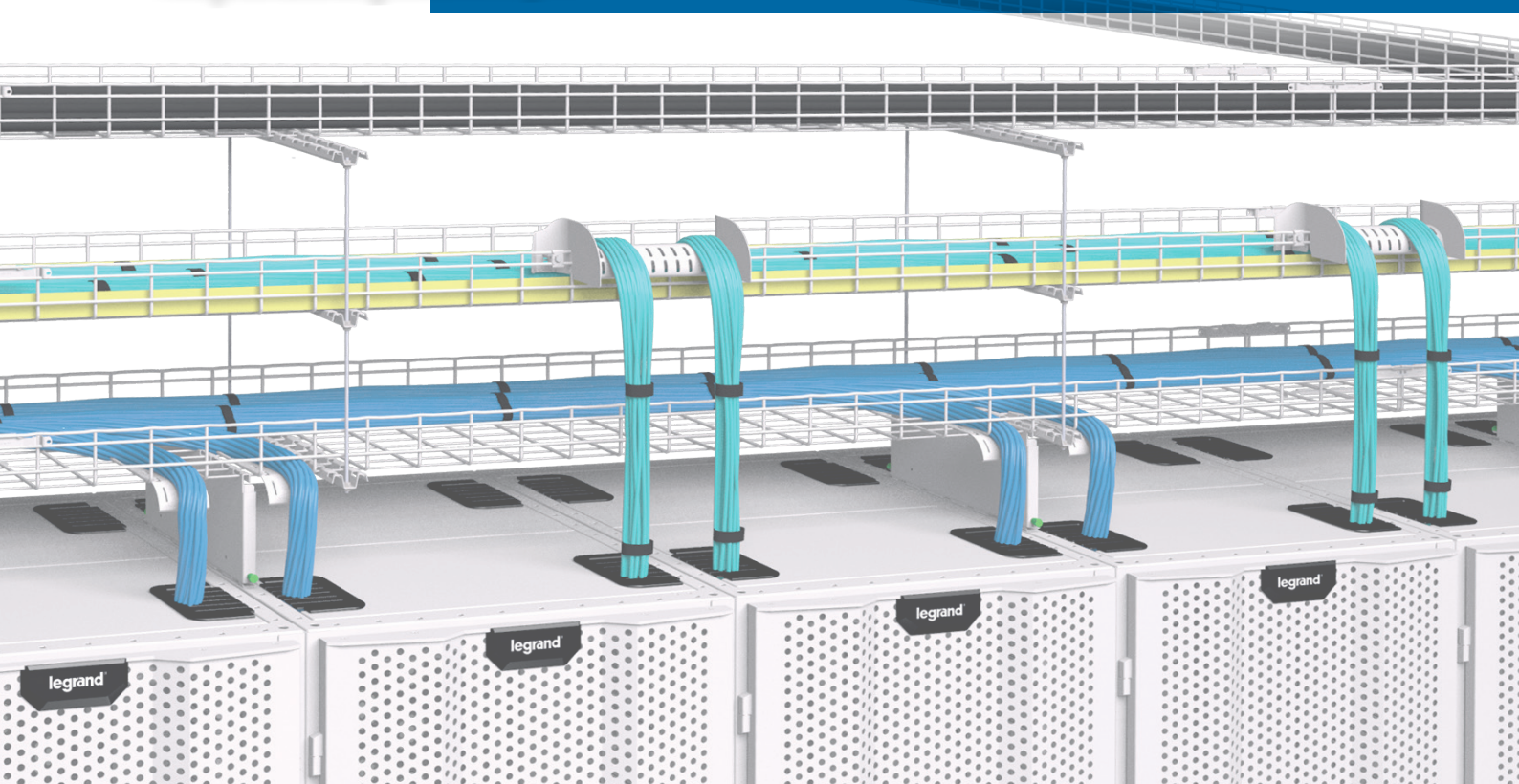
THE CABLOFIL RANGE OF STEEL WIRE CABLE TRAYS OFFERS MULTIPLE OPTIONS IN TERMS OF PERFORMANCE AND NUMEROUS BENEFITS THANKS TO ITS 90% OPEN STRUCTURE

- Making it easier to visually inspect, access and maintain the cables, even in multitiered cable tray installations
- Providing natural ventilation for cables which can help to prevent cable temperature rise and as a result help to reduce operating costs
- Minimising dust retention
- Reducing the risk of a fire outbreak by eliminating dust build-up during installation
- Accessories can be installed simply by using hand tools thus eliminating the need for power tools and promoting a cleaner, safer site

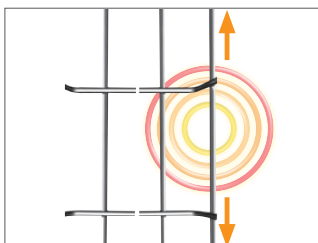


### A WIDE RANGE OF SIZES

Available in several different depths (30/54/105/150 mm) and in widths ranging from 50 to 900 mm. Also available in either standard finishes, or in bespoke colours on request, to better adapt to specific requirements of data centres.

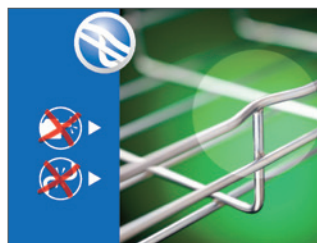


### LESS INTERFERENCE



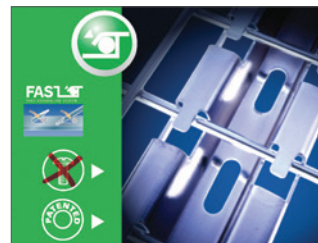
The steel structure can reduce electromagnetic interference and parasitic static loads.

### SAFETY EDGE



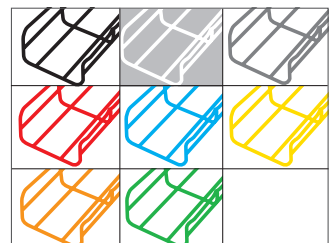
The T-welded safety edge design of Cablofil cable trays provides mechanical strength and ensures that there is no risk of cable damage.

### TIME SAVING



FAS (Fast Assembly System) couplers and supports simplify installation and significantly reduce installation time.

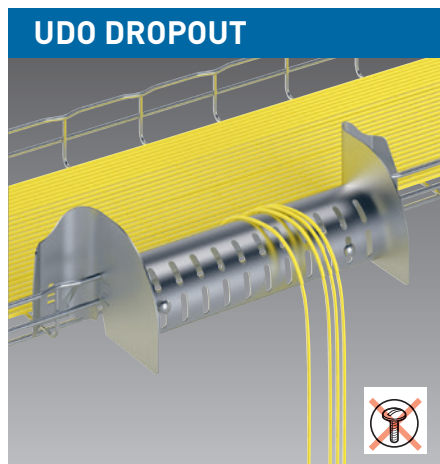
### CHOICE OF COLOURS



Depending on the installation requirements, you can either choose from our standard finishes or request a bespoke colour.

# OPTIMUM CABLE PROTECTION AND TIME SAVING BENEFITS

## ACCESSORIES FOR DOWNWARD CABLE RUNS



**UDO DROPOUT**

**Compatible with copper, fibre optic or PoE cables**

- Available in 4 widths from 200 to 600 mm
- Optimal 120° bending radius for cable feedthrough
- Side partitions for holding cables in place
- FAS fixing directly onto the Cablofil trays
- Finishes: **EZ** **BL** **WH**
- Oblong cut-outs allow for cable ties to secure cables



**DROPOUT KIT**

**Compatible with copper, fibre optic or PoE cables**

- Optimal bending radius for cable feedthrough
- Fixing accessories (screws) supplied
- Finishes: **GS** **BL** **WH**
- Oblong cut-outs allow cable ties to secure cables



**DEV 100 AND 50 DROPOUTS**

**Compatible with copper, fibre optic or PoE cables**

- Prevents cables becoming deformed where they enter and exit the cable tray
- Clips in place without tools
- Suitable for all widths of Cablofil cable tray
- The DEV 50 dropout is certified UL94 V-0
- DEV 100 finishes: **GS** **BL** **WH**
- DEV 50 finish: **PLAST**



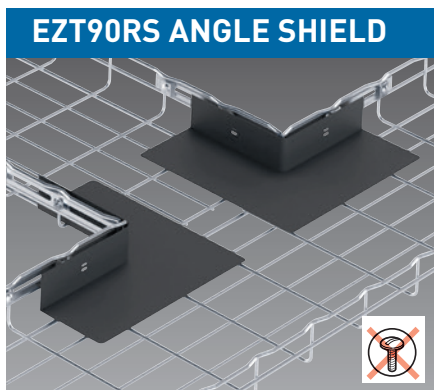
For more information on Cablofil steel wire cable trays see [www.legrand.co.uk](http://www.legrand.co.uk)



## 90° ACCESSORIES

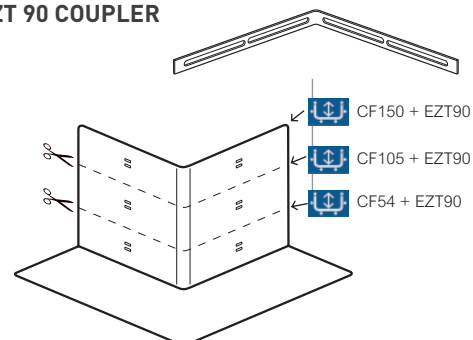
**For increased cable protection at junctions**

- Made of ABS
- Quick fixing with cable ties (supplied)
- Compatible with CF 54, CF 105 and CF 150 steel wire cable trays
- Can be cut to the correct height



**EZT90RS ANGLE SHIELD**

**FOR USE WITH THE EZT 90 COUPLER**



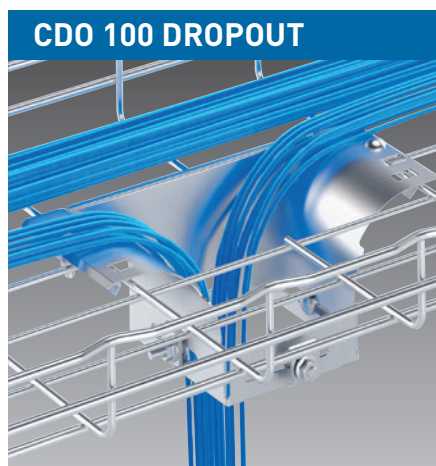
Designed to optimise installation time, these accessories are compatible with any type of copper or fibre optic cable. They ensure compliance with installation requirements, specifically with regards to the cable bending radius rules.



**Particularly suitable for fibre optic cable, due to the smooth surface and curved profile that allow the cables to be fed through without damaging them**

Compatible with cable trays:

- CF 54: 300 to 600 mm wide
- CF 105: 150 to 600 mm wide
- CF 150: 200 to 900 mm wide
- Made of polycarbonate
- Quick clip-on fixing on the side of cable trays prevents the need for them to be cut
- Pass the cables under the fixing point
- Oblong cut-outs for feeding through flexible cable ties to secure the cables
- FAS fixing to the side of the cable trays eliminates the need for the trays to be cut



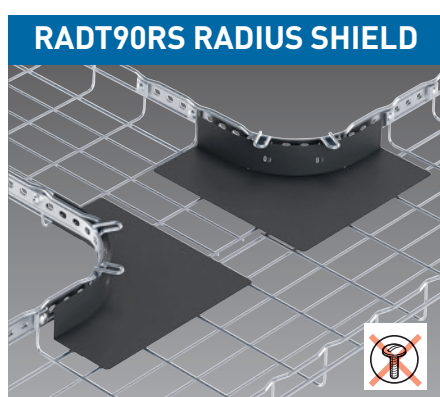
**Specially designed for high-capacity data centres, where the downward cable drop is often required when cables have already been installed e.g. upgrades**

- Clip the dropout in place either before or after the cables are installed
- Particularly robust, made of metal to ensure that copper or fibre optic cable bundles stay in place
- Ensures an optimum bending radius to prevent damage to the cables
- Can take a 100 mm wide vertical Cablofil cable tray (CF 54/100 or CF 105/100) for strong cable fixing
- Finishes: **EZ** **BL**
- Can be reused if there is a change of configuration

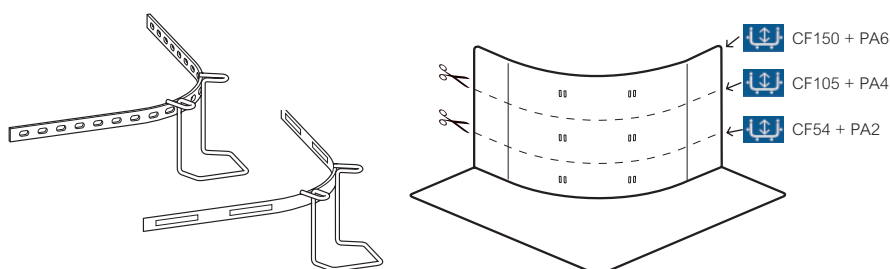


**Specially designed for fibre optic cables**

- Can be fixed onto the side of cable trays or on the bottom (in the cable tray)
- Made of ABS
- Quick clip-on fixing using the Plexo 80 base (supplied)
- Compatible with all Cablofil lengths
- FAS fixing to the side of the cable trays eliminates the need for the trays to be cut



**FOR USE WITH PA ACCESSORIES**



# THE RANGE OF ACCESSORIES

The range of accessories for Cablofil steel wire cable trays can be divided into 3 separate functions to suit each configuration

	Description	W ↔ mm						
<b>ACCESSORIES FOR DOWNWARD CABLE RUNS</b>								
<b>UDO</b>  	UDO8	200	1	CM944917	-	CM944975	CM945104	-
	UDO12	300	1	CM944918	-	CM944976	CM945105	-
	UDO18	450	1	CM944919	-	CM944977	-	-
	UDO24	600	1	CM944920	-	CM944978	-	-
<b>DROPOUTKIT</b>  	DROPOUT KIT	311	1	-	CM942895	CM942896	CM944613	-
<b>OTDOFAS</b>  	OTDOFAS	-	1	-	-	-	-	CM944779
<b>DEV100</b>  	DEV100	-	1	-	CM585160	CM930669	CM943120	-
<b>DEV50</b>  	DEV50	-	1	-	-	-	-	 CM350535
<b>CDO</b>  	CDO100	-	1	CM945245	-	CM945246	-	-



	Description	W or H ↔↕ mm		<b>EZ</b>	<b>GS</b>	<b>BL</b>	<b>WH</b>	<b>PLAST.</b>
<b>90° ACCESSORIES</b>								
<b>EZT90</b> 	EZT90	225/225	1	CM840231	-	-	-	-
<b>EZT90RS</b> 	EZT90RS	-	2	-	-	-	-	<b>ABS</b> CM944768
<b>PA</b> 	PA1 PA2 PA4	H mm ↕ 30 54 105	1 1 1	CM840101 CM840111 CM840131	-	-	-	-
<b>PA6</b> 	PA6	150	1	CM942942	-	-	-	-
<b>RADT90RS</b> 	RADT90 RS	-	2	-	-	-	-	CM944770
<b>COILING ACCESSORY</b>								
<b>TOHKIT</b> 	TOHKIT	-	1	-	-	-	-	<b>ABS</b> CM944707
<b>OTHER ACCESSORIES</b>								
<b>CABLOGRIP</b> 	CABLO- GRIP	W mm ↔ 5000	1	-	-	-	-	CM559677

MATERIALS  
AND FINISHES

**EZ** Electrogalvanising  
after manufacturing  
Standard EN ISO 2081

**GS** Continuous  
galvanisation prior to  
manufacturing using  
the Sendzimir process  
Standard EN 10346

**BL** Black

**WH** White

**PLAST.** Plastic

## CONTACT DETAILS

### United Kingdom

Great King Street North,  
Birmingham, B19 2LF

### Customer Services:

Tel: +44 (0) 345 605 4333

E-mail: [legrand.sales@legrand.co.uk](mailto:legrand.sales@legrand.co.uk)

### Quotations and Technical Support:

Tel: +44 (0) 370 608 9020

E-mail: [uk-cmsales@legrand.co.uk](mailto:uk-cmsales@legrand.co.uk)

### Republic of Ireland:

Tel: 01 295 9673

E-mail: [legrand.sales@legrand.co.uk](mailto:legrand.sales@legrand.co.uk)



## FOLLOW US AT

- @ [www.legrand.co.uk](http://www.legrand.co.uk)  
[www.legrand.ie](http://www.legrand.ie)
-  [www.youtube.com/legrandtvuk](https://www.youtube.com/legrandtvuk)
-  [www.voltimum.co.uk](http://www.voltimum.co.uk)  
[www.voltimum.ie](http://www.voltimum.ie)
-  [www.twitter.com/legranduk](https://www.twitter.com/legranduk)
-  [www.linkedin.com/company/legranduk](https://www.linkedin.com/company/legranduk)



### Head office (UK and Ireland):

Legrand Electric Limited

Great King Street North, Birmingham, B19 2LF

Tel: +44 (0) 370 608 9000 Fax: +44 (0) 370 608 9004

Website: [www.legrand.co.uk](http://www.legrand.co.uk)

In accordance with its policy of continuous improvement, the Company reserves the right to change specifications and designs without notice. All illustrations, descriptions, dimensions and weights in this catalogue are for guidance and cannot be held binding on the Company. All contents and design presentation included in this publication are © Legrand Electric Limited. All rights reserved. 2021



This document is printed on sustainably sourced paper. Please recycle.

The Legrand logo is a registered trademark of the Legrand group of companies.