

# P17 Tempra PRO

A RANGE  
YOU CAN  
RELY ON



INDUSTRIAL PLUGS & SOCKETS  
FROM 16 A TO 125 A

# P17 TEMPRA PRO

suitable for all  
environments

P17 Tempra Pro industrial plugs and sockets offer excellent impact resistance and IP ratings that make them suitable for a wide range of applications including:

- Shopping centres
- Hospitals
- Office buildings
- Transportation
- Data centres
- Markets
- Food and beverage industry



IP 66/67/69  
mobile socket



# CONTENTS

Complete range .....	2
Quick installation .....	4
Ease of use and safety .....	6
Catalogue pages.....	8

# P17 TEMPRA PRO

## a complete range

The P17 Tempra Pro range offers a choice of plugs, sockets and combination units each designed to meet the individual needs of specific areas of the market.

Available in LV 16A, 32A, 63A and 125A versions, the range offers IP44 and IP66/67/69<sup>1</sup> ingress protection (IP44 and IP66 for combination units) to meet the needs of both internal and external projects.



## IP44

SOCKETS FOR INTERNAL AND EXTERNAL USE, PROTECTED AGAINST PROJECTIONS OF WATER



Straight plugs



Mobile sockets



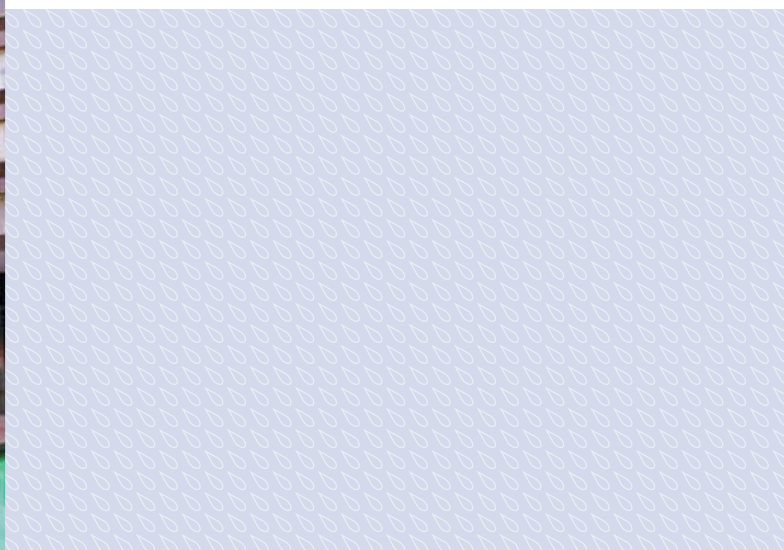
Panel mounting sockets



Surface mounting sockets

- From 16 to 32 A
- 2 P +  $\pm$  / 3 P +  $\pm$  / 3 P + N +  $\pm$
- From 100 to 460 V $\sim$
- 50/60 Hz
- Screw connection





# IP66/67/69<sup>1</sup> WEATHERPROOF SOCKETS THAT CAN WITHSTAND TEMPORARY IMMERSION



Straight plugs



Mobile sockets



Panel mounting sockets



Surface mounting sockets

- From 16 to 125 A
- 2 P +  $\pm$  / 3 P +  $\pm$  / 3 P + N +  $\pm$
- From 100 to 440 V $\sim$
- 50/60 Hz
- Screw connection

## Combination units



**SINGLE SOCKET UNITS**  
With or without DIN rail:  
16 / 32 A, IP 44 / IP55 /  
IP66 and 63 A, IP 66  
(see page 17)



**SELF ASSEMBLY COMBINATION UNITS**  
Only eight catalogue numbers:  
four for the bases and  
four for the faceplates  
(see page 18)

<sup>1</sup>: IP69 available in 63 and 125 A in mobile sockets and straight plugs only

# P17 TEMPRA PRO

## ensuring a quick installation

The new P17 Tempra Pro range has been subject to extensive research to ensure its ergonomic design not only looks the part but makes life easier for the user. Reliable cable connections are easily created in an optimised wiring space which is protected by a robust exterior that performs well in a wide variety of environments.



1 Mobile plugs and sockets

MOBILE PRODUCTS ARE SUPPLIED ASSEMBLED AND UNLOCKED



### 1 QUICK OPENING/CLOSING SYSTEM<sup>1</sup>

Unlock by pressing with a screwdriver. Marking indicates the location for the locking clip.



Opened by turning the two parts in opposite directions.



### 2 ENHANCED PROTECTION<sup>1</sup>

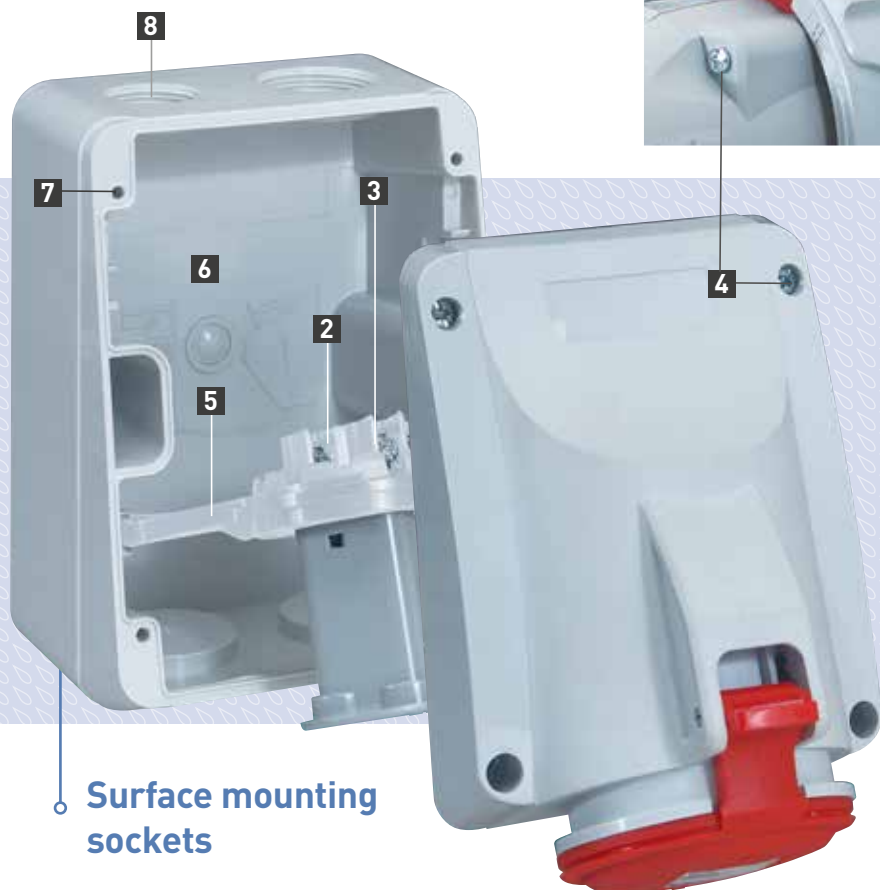
Removable terminal cover at the back of panel mounting sockets.



### CABLE STRIPPING

Marking allows the user to quickly see the length of cable to be stripped and to identify connection terminals. Option of using cables with ferrules.

1: 16 and 32 A products only

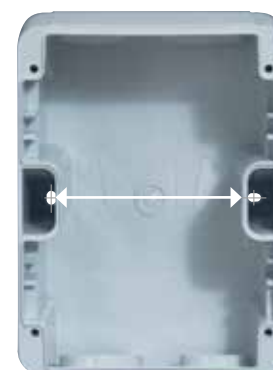


**Surface mounting sockets**



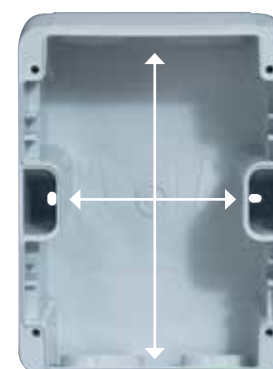
**8 CABLE ENTRIES**

Four threaded and sealed cable entries at the top and base. Marking at the back of the box for ISO cable glands or conduits.



**7 EASIER MAINTENANCE**

Fixing centres are at 70 mm for 16 A sockets and marked at the back of the box for 32 A sockets.



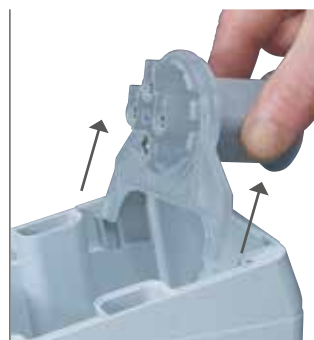
**3 JUST ONE SCREW PER TERMINAL**

A single captive PZ 2 screw, per connection terminal. Same type of screw for both 16 and 32 A ratings.



**4 EASY COVER FIXING**

Stainless steel captive screws with mixed head (for cross or flat screwdriver), provide a good seal, anti-corrosion resistance and save time during installation.



**5 EASY REMOVAL'**

The active parts of the product can be removed from the base for easier wiring and to change the socket angle.

**6 EASY WIRING**

Optimum wiring area for easier connections.

# P17 TEMPRA PRO

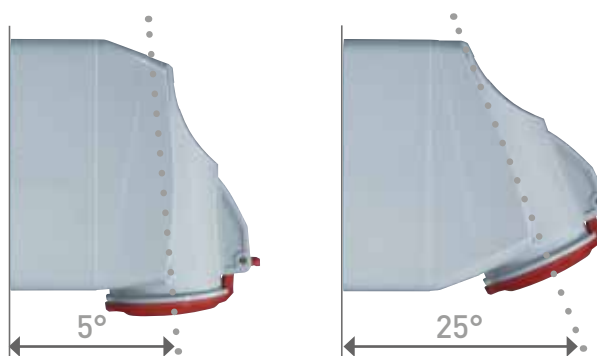
## ensuring ease of use and safety

The innovative design of the P17 Tempra Pro range provides compact dimensions that make it ideal for use in tight spaces, with its improved ergonomics offering easier handling.

The range is manufactured from Polyamide 6 which offers a high resistance to corrosion and extreme temperatures.



AN INNOVATIVE DESIGN THAT COMPLIES WITH STANDARDS BS EN 60309-1 & 2 AND IEC 60309-1 & 2



### 1 TWO MOUNTING POSITIONS<sup>1</sup>

To solve the problem of limited space, surface mounting sockets offer two different mounting positions (5° or 25°) allowing users to adapt to the space available without changing the box.



### 2 CABLE GRIP

Captive cable grip with anti-vibration system holds the cable permanently in place.

The 63 and 125 A products are also equipped with a locking screw.

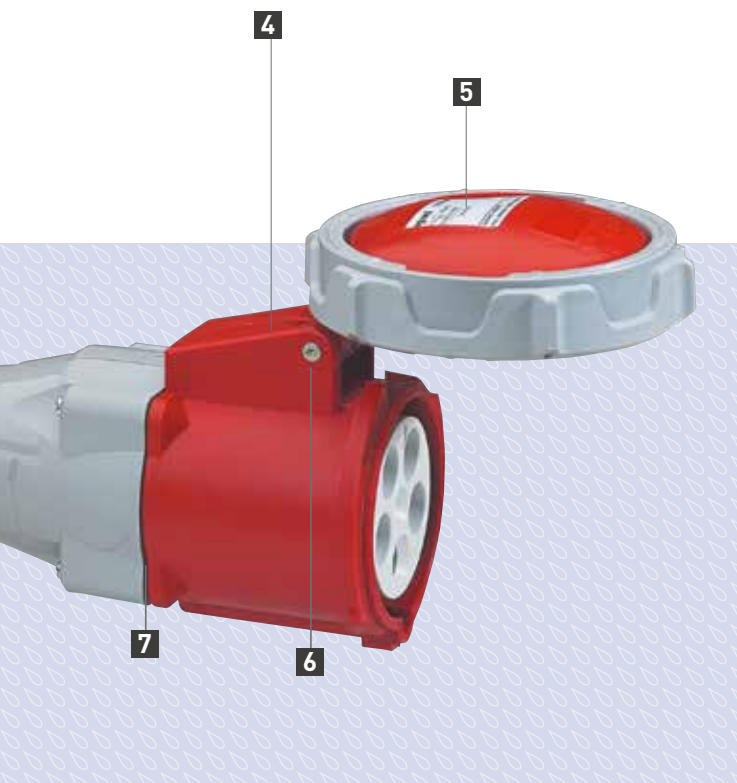


### 3 EASE OF HANDLING

The ergonomic design of the gripping areas allow for ease of use when handling.

1: 16 and 32 A products only





## SAFETY & THE ENVIRONMENT

### SAFETY

Connection terminals compliant with BS EN 60309 1 & 2 and IEC 60309 1 & 2

Production sites certified according to ISO 14001: 2004 and ISO 9001: 2008

Very high resistance to chemicals. Plugs and sockets manufactured from Polyamide 6

Anti-corrosion treated screws, stainless steel springs for the socket covers

Operating temperature: -25°C to +40°C

### ENVIRONMENT

Halogen-free recyclable materials (silicone, PVC)

Grouped packaging in boxes

PEP products (Eco Passport)



#### 4 OPENING LEVER

For easier connection / disconnection. Cover holds open on panel sockets and surface mounting sockets.



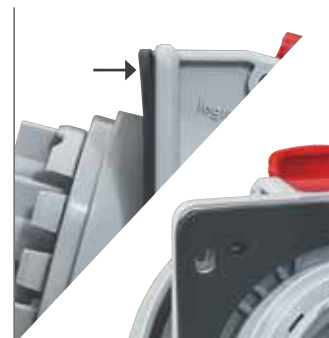
#### 5 POSITION MARKING

Information engraved on the ring cover of IP66/67/69 products means the user can check quickly whether it's in the open or closed position. Markings on cover and flap for easy identification.



#### 6 RIVETED METAL SHAFT

For 63 and 125 A products, the riveted metal shaft ensures more strength. The notched locking ring facilitates locking / unlocking operations.









#### 7 WEATHERPROOF SEAL

For panel mounting sockets.

# P 17 Tempra Pro IP 44 - LV 16 and 32 A






## selection chart

Conform to BS EN 60309-1 and IEC 60309-1 and BS EN 60309-2 and IEC 60309-2 IP 44 according to BS EN 60529 and IEC 60529 IK 09 according to BS EN 62262 and IEC 62262 Material: polyamide 6 Self-extinguishing: 850 °C (support of active parts) / 650 °C (plastic housing)			FUNCTIONS					
			SURFACE MOUNTING SOCKETS	PANEL MOUNTING SOCKETS INCLINED OUTLET	PANEL MOUNTING SOCKETS STRAIGHT OUTLET	MOBILE SOCKETS	STRAIGHT PLUGS	APPLIANCE INLETS
LV								
			Female connector	Female connector	Female connector	Female connector	Male connector	Male connector
-100 to 130 V <sub>~</sub> 50/60 Hz	16 A	2 P + $\perp$	5551 51	5551 81	–	5551 01	5551 21	–
		3 P + $\perp$	5551 52	–	–	5551 02	5551 22	–
	32 A	2 P + $\perp$	5552 51	5552 81	–	5552 11	5552 31	–
200 to 250 V <sub>~</sub> 50/60 Hz	16 A	2 P + $\perp$	5551 54	5551 84	0573 54	5551 04	5551 24	0575 84 <sup>(1)</sup>
		3 P + $\perp$	5551 55	5551 85	–	5551 05	5551 25	0575 85 <sup>(1)</sup>
		3 P + N + $\perp$	5551 56	5551 86	–	5551 06	5551 26	0575 86 <sup>(1)</sup>
	32 A	2 P + $\perp$	5552 54	5552 84	0580 54	5552 14	5552 34	0582 84 <sup>(1)</sup>
		3 P + $\perp$	5552 55	5552 85	–	5552 15	5552 35	–
		3 P + N + $\perp$	5552 56	5552 86	–	5552 16	5552 36	0582 86 <sup>(1)</sup>
380 to 415 V <sub>~</sub> 50/60 Hz	16 A	2 P + $\perp$	5551 57	–	–	5551 07	5551 27	–
		3 P + $\perp$	5551 58	5551 88	0573 58	5551 08	5551 28	0575 88 <sup>(1)</sup>
		3 P + N + $\perp$	5551 59	5551 89	0573 59	5551 09	5551 29	0575 89 <sup>(1)</sup>
	32 A	2 P + $\perp$	5552 57	–	–	5552 17	5552 37	–
		3 P + $\perp$	5552 58	5552 88	0580 58	5552 18	5552 38	0582 88 <sup>(1)</sup>
		3 P + N + $\perp$	5552 59	5552 89	0580 59	5552 19	5552 39	0582 89 <sup>(1)</sup>
440 to 460 V <sub>~</sub> 50/60 Hz	16 A	3 P + $\perp$	5551 60	5551 90	–	5551 10	5551 30	–
	32 A	3 P + $\perp$	5552 60	5552 90	–	5552 20	5552 40	–

1: Protection covers not supplied (p. 10)

# P 17 Tempra Pro IP 66/67 - LV 16, 32, 63 and 125 A

## selection chart

Conform to BS EN 60309-1 and IEC 60309-1 and BS EN 60309-2 and IEC 60309-2 IP 44 according to BS EN 60529 and IEC 60529 IK 09 according to BS EN 62262 and IEC 62262 Material: polyamide 6 Self-extinguishing: 850 °C (support of active parts) / 650 °C (plastic housing)			FUNCTIONS					
			SURFACE MOUNTING SOCKETS	PANEL MOUNTING SOCKETS INCLINED OUTLET	MOBILE SOCKETS	STRAIGHT PLUGS	APPLIANCE INLETS	
LV								
			Female connector	Female connector	Female connector	Male connector	Male connector	
100 to 130 V <sub>~</sub> 50/60 Hz	16 A	2 P + $\perp$	5553 51	5553 81	5553 01	5553 21	0568 00	
	32 A	2 P + $\perp$	5554 51	–	–	5554 31	–	
200 to 250 V <sub>~</sub> 50/60 Hz	16 A	2 P + $\perp$	5553 54	5554 84	5553 04	5553 24	0568 03	
		3 P + $\perp$	5553 55	5553 85	5553 05	5553 25	–	
		3 P + N + $\perp$	5553 56	5553 86	5553 06	5553 26	–	
	32 A	2 P + $\perp$	5554 54	5554 84	5554 14	5554 34	0568 23	
		3 P + $\perp$	5554 55	5554 85	5554 15	5554 35	–	
		3 P + N + $\perp$	5554 56	5554 86	5554 16	5554 36	–	
	63 A	2 P + $\perp$	5555 54	5555 84	5555 04	5555 24	5555 14	
		3 P + $\perp$	5555 55	5555 85	5555 05	5555 25	–	
		3 P + N + $\perp$	5555 56	5555 86	5555 06	5555 26	–	
380 to 415 V <sub>~</sub> 50/60 Hz	16 A	3 P + $\perp$	5553 58	5553 88	5553 08	5553 28	0568 07	
		3 P + N + $\perp$	5553 59	5553 89	5553 09	5553 29	0568 08	
	32 A	3 P + $\perp$	5554 58	5554 88	5554 18	5554 38	0568 27	
		3 P + N + $\perp$	5554 59	5554 89	5 554 19	5554 39	0568 28	
	63 A	3 P + $\perp$	5555 58	5555 88	5555 08	5555 28	5555 18	
		3 P + N + $\perp$	5555 59	5555 89	5555 09	5555 29	5555 19	
	125 A	3 P + $\perp$	5556 58	5556 88	5556 08	5556 28	5556 18	
		3 P + N + $\perp$	5556 59	5556 89	5556 09	5556 29	5556 19	
	440 V <sub>~</sub> 50/60 Hz for refrigerated containers	32 A	3 P + $\perp$	–	5554 91	5554 21	5554 41	–

# P 17 Tempra Pro IP 44 - LV 16 and 32 A

sockets, plugs, mobile sockets, appliance inlets and protection covers



5552 58



5551 84



5551 08



5552 34 + 5521 27

## Technical characteristics p. 16

### Surface mounting sockets

Pack	Cat. Nos.		
	16 A	32 A	Two possible angles (5° or 25°)
5	5551 51	5552 51	<b>100/130 V</b> ~ 2 P + ⊥
5	5551 52	-	3 P + ⊥
			<b>200/250 V</b> ~
10   5	5551 54	5552 54	2 P + ⊥
5	5551 55	5552 55	3 P + ⊥
5	5551 56	5552 56	3 P + N + ⊥
			<b>380/415 V</b> ~
5	5551 57	5552 57	2 P + ⊥
10	5551 58	5552 58	3 P + ⊥
10	5551 59	5552 59	3 P + N + ⊥
			<b>440/460 V</b> ~
5	5551 60	5552 60	3 P + ⊥

### Panel mounting sockets inclined outlet

Can be fixed on plain faceplates or pre-drilled (p. 18)

Pack	Cat. Nos.		
	16 A	32 A	<b>100/130 V</b> ~
5	5551 81	5552 81	2 P + ⊥
			<b>200/250 V</b> ~
10	5551 84	5552 84	2 P + ⊥
5	5551 85	5552 85	3 P + ⊥
5	5551 86	5552 86	3 P + N + ⊥
			<b>380/415 V</b> ~
10	5551 88	5552 88	3 P + ⊥
10	5551 89	5552 89	3 P + N + ⊥
			<b>440/460 V</b> ~
5	5551 90	5552 90	3 P + ⊥

### Panel mounting sockets straight outlet small flange

Can be fixed only on plain faceplates  
Cat. No. 0577 15 (p. 18)

Pack	Cat. Nos.		
			<b>200/250 V</b> ~
5	0573 54	0580 54	2 P + ⊥
			<b>380/415 V</b> ~
5	0573 58	0580 58	3 P + ⊥
5	0573 59	0580 59	3 P + N + ⊥

### Mobile sockets

Cable clamping and closing without screws  
Supplied unlocked

Pack	Cat. Nos.		
	16 A	32 A	<b>100/130 V</b> ~
10   5	5551 01	5552 11	2 P + ⊥
	5551 02	-	3 P + ⊥
			<b>200/250 V</b> ~
10	5551 04	5552 14	2 P + ⊥
5	5551 05	5552 15	3 P + ⊥
5	5551 06	5552 16	3 P + N + ⊥

### Mobile sockets (continued)

Cable clamping and closing without screws  
Supplied unlocked

Pack	Cat. Nos.		
	16 A	32 A	<b>380/415 V</b> ~
5	5551 07	5552 17	2 P + ⊥
10	5551 08	5552 18	3 P + ⊥
10	5551 09	5552 19	3 P + N + ⊥
			<b>440/460 V</b> ~
5	5551 10	5552 20	3 P + ⊥

### Straight plugs

Cable clamping and closing without screws  
Supplied unlocked

Pack	Cat. Nos.		
	16 A	32 A	<b>100/130 V</b> ~
10   5	5551 21	5552 31	2 P + ⊥
5	5551 22	-	3 P + ⊥
			<b>200/250 V</b> ~
10	5551 24	5552 34	2 P + ⊥
5	5551 25	5552 35	3 P + ⊥
5	5551 26	5552 36	3 P + N + ⊥
			<b>380/415 V</b> ~
5	5551 27	5552 37	2 P + ⊥
10	5551 28	5552 38	3 P + ⊥
10	5551 29	5552 39	3 P + N + ⊥
			<b>440/460 V</b> ~
5	5551 30	5552 40	3 P + ⊥

### Phase inverter plugs

Straight plugs for changing rotation  
direction of a 3-phase electric motor

Pack	Cat. Nos.		
	16 A	32 A	<b>380/415 V</b> ~
5	0574 40	0581 40	3 P + ⊥
5	0574 41	0581 41	3 P + N + ⊥

### Appliance inlets

Can be used with protective covers,  
see below

Pack	Cat. Nos.		
			<b>200/250 V</b> ~
5	0575 84	0582 84	2 P + ⊥
5	0575 85	-	3 P + ⊥
5	0575 86	0582 86	3 P + N + ⊥
			<b>380/415 V</b> ~
5	0575 88	0582 88	3 P + ⊥
5	0575 89	0582 89	3 P + N + ⊥

### Protection covers

IP 67  
IP 44 maintained with plug inserted

Pack	Cat. Nos.		
	Rubber		For plugs and appliance inlets:
10	0521 25		2 P + ⊥ - 16 A
5	0521 26		3 P + ⊥ - 16 A
5	0521 27		3 P + N + ⊥ - 16 A / 2 P + ⊥ and 3 P + ⊥ - 32 A
5	0527 99		3 P + N + ⊥ - 32 A



## P 17 Tempra Pro IP 66/67 - LV 16 and 32 A sockets, plugs, mobile sockets and appliance inlets



## P 17 Tempra Pro IP 66/67/69<sup>1</sup> - LV 63 and 125 A sockets, plugs, mobile sockets and appliance inlets and IP 66/67/69<sup>1</sup> LV 32 A for refrigerated containers

sockets, plugs, mobile sockets and appliance inlets and IP 66/67/69<sup>1</sup> LV 32 A for refrigerated containers



Technical characteristics p. 19

Pack	Cat. Nos.		Surface mounting sockets
5	16 A 5553 51	32 A 5554 51	Two possible angles (5° or 25°) <b>100/130 V</b> ~ 2 P + ⊥ <b>200/250 V</b> ~ 2 P + ⊥ 3 P + ⊥ 3 P + N + ⊥ <b>380/415 V</b> ~ 3 P + ⊥ 3 P + N + ⊥
5	5553 54	5554 54	2 P + ⊥
5	5553 55	5554 55	3 P + ⊥
5	5553 56	5554 56	3 P + N + ⊥
5	5553 58	5554 58	3 P + ⊥
5	5553 59	5554 59	3 P + N + ⊥
<b>Panel mounting sockets inclined outlet</b>			
Can be fixed on faceplates (p. 18)			
5	16 A 5553 81	32 A 5554 81	<b>100/130 V</b> ~ 2 P + ⊥ <b>200/250 V</b> ~ 2 P + ⊥ 3 P + ⊥ 3 P + N + ⊥ <b>380/415 V</b> ~ 3 P + ⊥ 3 P + N + ⊥
5	5553 84	5554 84	2 P + ⊥
5	5553 85	5554 85	3 P + ⊥
5	5553 86	5554 86	3 P + N + ⊥
5	5553 88	5554 88	3 P + ⊥
5	5553 89	5554 89	3 P + N + ⊥
<b>Mobile sockets</b>			
Supplied unlocked			
5	16 A 5553 01	32 A -	<b>100/130 V</b> ~ 2 P + ⊥ <b>200/250 V</b> ~ 2 P + ⊥ 3 P + ⊥ 3 P + N + ⊥ <b>380/415 V</b> ~ 3 P + ⊥ 3 P + N + ⊥
5	5553 04	5554 14	2 P + ⊥
5	5553 05	5554 15	3 P + ⊥
5	5553 06	5554 16	3 P + N + ⊥
5	5553 08	5554 18	3 P + ⊥
5	5553 09	5554 19	3 P + N + ⊥
<b>Straight plugs</b>			
Supplied unlocked			
5	16 A 5553 21	32 A 5554 31	<b>100/130 V</b> ~ 2 P + ⊥ <b>200/250 V</b> ~ 2 P + ⊥ 3 P + ⊥ 3 P + N + ⊥ <b>380/415 V</b> ~ 3 P + ⊥ 3 P + N + ⊥
5	5553 24	5554 34	2 P + ⊥
5	5553 25	5554 35	3 P + ⊥
5	5553 26	5554 36	3 P + N + ⊥
5	5553 28	5554 38	3 P + ⊥
5	5553 29	5554 39	3 P + N + ⊥
<b>Appliance inlets</b>			
5	16 A 0568 03	32 A 0568 23	<b>200/250 V</b> ~ 2 P + ⊥ <b>380/415 V</b> ~ 3 P + ⊥ 3 P + N + ⊥
5	0568 07	0568 27	3 P + ⊥
5	0568 08	0568 28	3 P + N + ⊥

Technical characteristics p. 20

Pack	Cat. Nos.		Surface mounting sockets
2	63 A 5555 54	125 A -	<b>200/250 V</b> ~ 2 P + ⊥ 3 P + ⊥ 3 P + N + ⊥ <b>380/415 V</b> ~ 3 P + ⊥ 3 P + N + ⊥
2	5555 55	-	3 P + ⊥
2	5555 56	-	3 P + N + ⊥
2   1	5555 58	5556 58	3 P + ⊥
2   1	5555 59	5556 59	3 P + N + ⊥
<b>Panel mounting sockets inclined outlet</b>			
Can be fixed on faceplates Cat. No. 0577 17 (p. 18)			
2	63 A 5555 84	125 A -	<b>200/250 V</b> ~ 2 P + ⊥ 3 P + ⊥ 3 P + N + ⊥ <b>380/415 V</b> ~ 3 P + ⊥ 3 P + N + ⊥
2	5555 85	-	3 P + ⊥
2	5555 86	-	3 P + N + ⊥
2   1	5555 88	5556 88	3 P + ⊥
2   1	5555 89	5556 89	3 P + N + ⊥
<b>Mobile sockets</b>			
<b>200/250 V</b> ~			
2	63 A 5555 04	125 A -	2 P + ⊥
2	5555 05	-	3 P + ⊥
2	5555 06	-	3 P + N + ⊥
<b>380/415 V</b> ~			
2   1	5555 08	5556 08	3 P + ⊥
2   1	5555 09	5556 09	3 P + N + ⊥
<b>Straight plugs</b>			
<b>200/250 V</b> ~			
2	63 A 5555 24	125 A -	2 P + ⊥
2	5555 25	-	3 P + ⊥
2	5555 26	-	3 P + N + ⊥
<b>380/415 V</b> ~			
2   1	5555 28	5556 28	3 P + ⊥
2   1	5555 29	5556 29	3 P + N + ⊥
<b>Appliance inlets</b>			
<b>200/250 V</b> ~			
2	63 A 5555 14	125 A -	2 P + ⊥ <b>380/415 V</b> ~
2   1	5555 18	5556 18	3 P + ⊥
2   1	5555 19	5556 19	3 P + N + ⊥
<b>Combined unit, plug and mobile socket for refrigerated containers</b>			
32 A - 440 V ~ - 50/60 Hz - 3 P + ⊥ - 3 hours IK 09 Plastic body and cover Stainless steel screws Combined unit with interlocked switched socket. Double mechanical interlock Cable glands are not supplied Panel mounting socket inclined outlet Mobile socket With cable grip Ø12 to 21.5 mm Straight plug With cable grip Ø12 to 21.5 mm			
1	32 A 6571 06		
5	5554 91		
5	5554 21		
5	5554 41		

1: IP69 available in 63 and 125 A in mobile sockets and straight plugs only

# P 17 Tempra Pro IP 44 - LV 16 and 32 A

surface and panel mounting sockets, mobile sockets, straight plugs and appliance inlets

## Technical information

Terminal connection:

• Panel and surface mounting sockets

16 A: max. 1 x 4 mm<sup>2</sup> rigid

32 A: max. 1 x 10 mm<sup>2</sup> rigid

• Appliance inlets:

16 A: max. 1 x 2.5 mm<sup>2</sup> rigid

32 A: max. 1 x 6 mm<sup>2</sup> rigid

• Plugs and mobile sockets:

16 A: max. 1 x 2.5 mm<sup>2</sup> flexible

32 A: max. 1 x 6 mm<sup>2</sup> flexible

Conform to BS EN 60309-1, BS EN 60309-2, IEC 60309-1 and IEC 60309-2

IP 44 according to BS EN 60529 and IEC 60529

IK 08 according to BS EN 62262 for interlocked switched sockets with small flange

IK 09 according to BS EN 62262 and IEC 62262

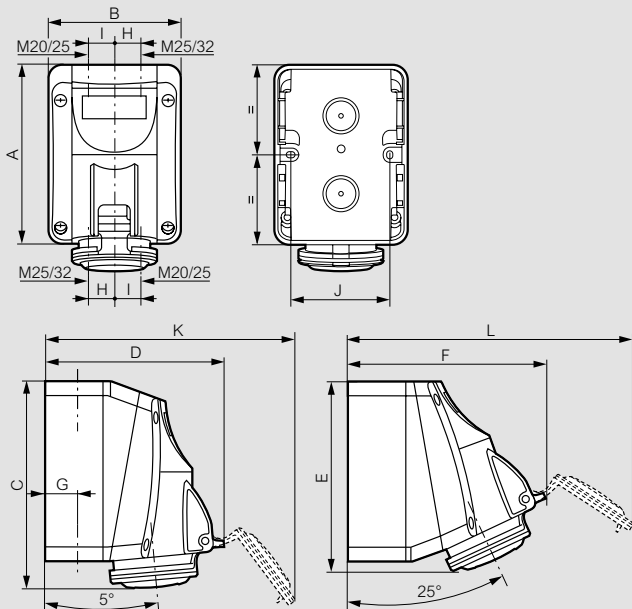
Material: polyamide 6

Self-extinguishing: 850 °C (support of active parts) / 650 °C (plastic housing)

Temp. rating: - 25 °C to + 40 °C according to BS EN 60309-1 and IEC 60309-1

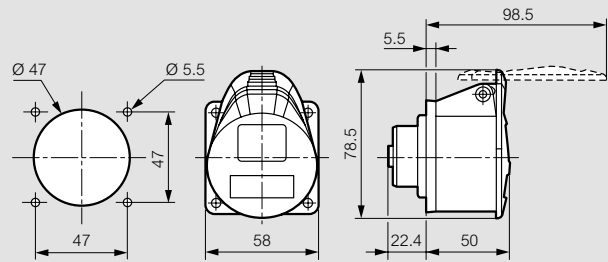
## Dimensions

### Surface mounting sockets



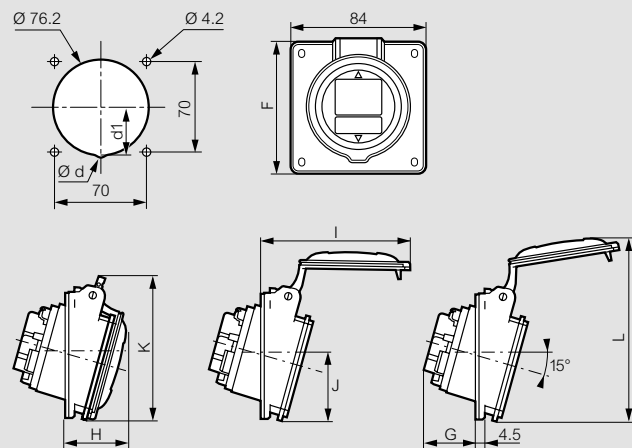
	A	B	C	D	E	F	G	H	I	J	K	L
<b>LV 16 A</b>												
2 P + $\frac{1}{2}$	125	93	147	126	138	139	22	17	20	70	176	195
3 P + $\frac{1}{2}$	125	93	147	134	138	147	22	17	20	70	190	210
3 P + N + $\frac{1}{2}$	125	93	147	140	138	153	22	17	20	70	201	221
<b>LV 32 A</b>												
2 P + $\frac{1}{2}$	150	113	174	156	163	172	28	22	26	90	220	245
3 P + $\frac{1}{2}$	150	113	174	156	163	172	28	22	26	90	220	245
3 P + N + $\frac{1}{2}$	150	113	174	162	163	177	28	22	26	90	230	256

### Panel mounting sockets straight outlet small flange



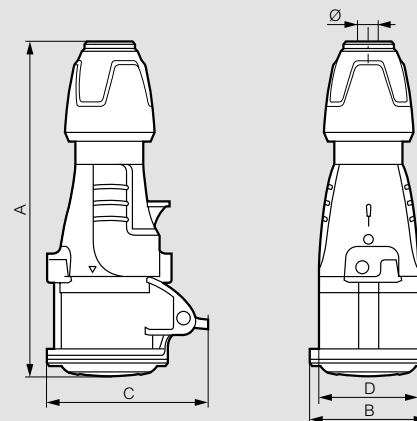
Weight (kg) = 0.105

### Panel mounting sockets inclined outlet



	Ød	d1	F	G	H	I	J	K	L
<b>LV 16 A</b>									
2 P + $\frac{1}{2}$	-	-	84	33.5	37.5	85	42	88.5	112.5
3 P + $\frac{1}{2}$	-	-	84	35.5	38.5	93	42	91.5	118.5
3 P + N + $\frac{1}{2}$	-	-	84	36.5	39.5	100	43.3	97	123.5
<b>LV 32 A</b>									
2 P + $\frac{1}{2}$	-	-	94	41.5	45.5	110	47	102	131
3 P + $\frac{1}{2}$	-	-	94	42.5	46.5	117	47	107.5	138

### Mobile sockets



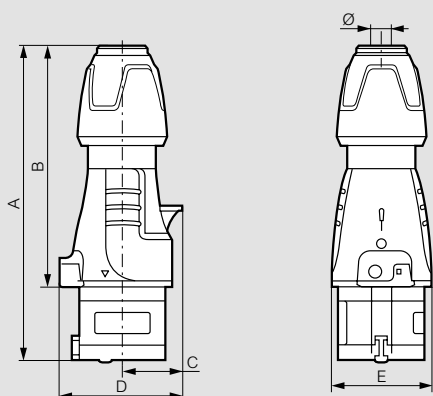
	A	B	C	D	Ø
<b>LV 16 A</b>					
2 P + $\frac{1}{2}$	156 to 167	59	81	50	6.5 to 14
3 P + $\frac{1}{2}$	157 to 168	65	88	55	7.10 to 15.5
3 P + N + $\frac{1}{2}$	175 to 188	72	94	65	8 to 20
<b>LV 32 A</b>					
2 P + $\frac{1}{2}$	184 to 197	73	99	65	8 to 20
3 P + $\frac{1}{2}$	184 to 197	73.5	99	65	8 to 20
3 P + N + $\frac{1}{2}$	190 to 203	79.5	105	71	11.9 to 22.2

# P 17 Tempra Pro IP 44 - LV 16 and 32 A

## straight plugs and appliance inlets (continued)

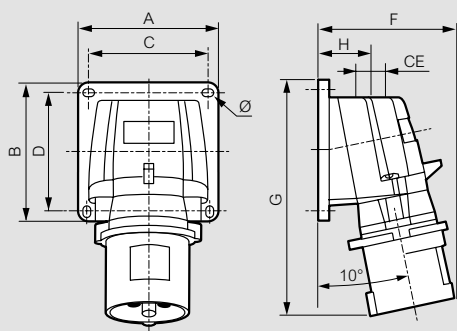
### ■ Dimensions

#### Straight plugs



	A	B	C	D	E	Ø
<b>LV 16 A</b>						
<b>2 P + E</b> $\frac{1}{2}$	146 to 157	109.5 to 120.5	30	61	50	6.5 to 14
<b>3 P + E</b> $\frac{1}{2}$	146 to 157	109.5 to 120.5	34	67	55	7.10 to 15.5
<b>3 P + N + E</b> $\frac{1}{2}$	163 to 176	126.5 to 139.5	38	76	65	8 to 20
<b>LV 32 A</b>						
<b>2 P + E</b> $\frac{1}{2}$	172 to 185	127 to 140	40	78	65	8 to 20
<b>3 P + E</b> $\frac{1}{2}$	172 to 185	127 to 140	40	78	65	8 to 20
<b>3 P + N + E</b> $\frac{1}{2}$	179 to 189	133 to 143	45	86	71	11.9 to 22.2

#### Appliance inlets



	Weight (kg)	A	B	C	D	F	G	H	CE	Ø
<b>LV 16 A</b>										
<b>2 P + <math>\frac{1}{2}</math></b>	0.168	84	84	72	72	77	126	34	M20	4.3
<b>3 P + <math>\frac{1}{2}</math></b>	0.232	84	84	72	72	84	134	34	M20	4.3
<b>3 P + N + <math>\frac{1}{2}</math></b>	0.256	84	84	72	72	91	141	34	M20	4.3
<b>LV 32 A</b>										
<b>2 P + <math>\frac{1}{2}</math></b>	0.325	110	110	98	98	96	168	39	M25	5.3
<b>3 P + <math>\frac{1}{2}</math></b>										
<b>3 P + N + <math>\frac{1}{2}</math></b>										

# P 17 Tempra Pro IP 66/67 - LV 16 and 32 A

surface and panel mounting sockets, mobile sockets, straight plugs and appliance inlets

## Technical information

Terminal connection:

- Panel and surface mounting sockets
- 16 A: max. 1 x 4 mm<sup>2</sup> rigid - 32 A: max. 1 x 10 mm<sup>2</sup> rigid
- Plugs, mobile sockets:
- 16 A: max. 1 x 2.5 mm<sup>2</sup> flexible - 32 A: max. 1 x 6 mm<sup>2</sup> flexible

• Appliance inlets:

- 16 A: max. 1 x 2.5 mm<sup>2</sup> rigid - 32 A: max. 1 x 6 mm<sup>2</sup> rigid

IP 66/67 according to BS EN 60529 and IEC 60529

IK 09 according to BS EN 62262 and IEC 62262

Material: polyamide 6

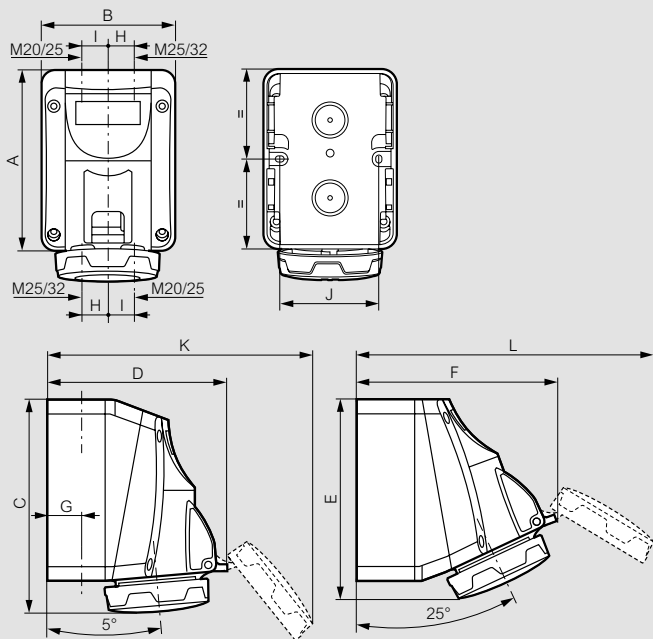
Self-extinguishing: 850 °C (support of active parts) / 650 °C (plastic housing)

Temp. rating: - 25 °C to + 40 °C

Conform to BS EN 60309-1, BS EN 60309-2, IEC 60309-1 and IEC 60309-2

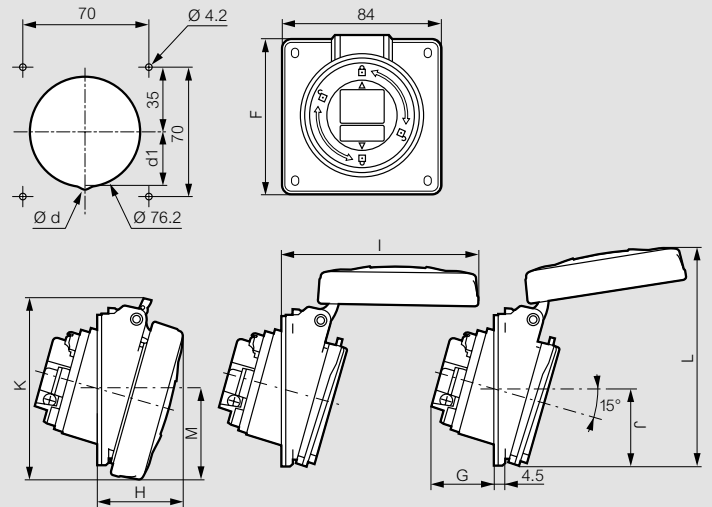
## Dimensions

### Surface mounting sockets



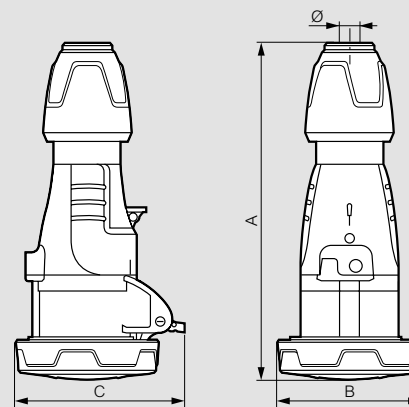
	A	B	C	D	E	F	G	H	I	J	K	L
<b>LV 16 A</b>												
<b>2 P + <math>\frac{1}{2}</math></b>	125	93	144	125	131	137	22	17	20	70	178	200
<b>3 P + <math>\frac{1}{2}</math></b>	125	93	144	133	131	145	22	17	20	70	194	215
<b>3 P + N + <math>\frac{1}{2}</math></b>	125	93	144	139	131	150	22	17	20	70	205	227
<b>LV 32 A</b>												
<b>2 P + <math>\frac{1}{2}</math></b>	150	113	171	155	156	170	28	22	26	90	224	250
<b>3 P + <math>\frac{1}{2}</math></b>	150	113	171	161	156	175	28	22	26	90	231	260

### Panel mounting sockets inclined outlet



	Dimensions (mm)									
	Ø d	d1	F	G	H	I	M	J	L	K
<b>LV 16 A</b>										
<b>2 P + <math>\frac{1}{2}</math></b>	-	-	84	33.5	42	94	42.5	42	114	88
<b>3 P + <math>\frac{1}{2}</math></b>	-	-	84	35.5	43	101	46	42	118	94.5
<b>3 P + N + <math>\frac{1}{2}</math></b>	-	-	84	36.5	44	108.5	50	42.5	123	101
<b>LV 32 A</b>										
<b>2 P + <math>\frac{1}{2}</math> / 3 P + <math>\frac{1}{2}</math></b>	-	-	94	41.5	50.5	118	54.5	47.5	129.5	105.5
<b>3 P + N + <math>\frac{1}{2}</math></b>	8	36	94	42.5	51.5	124.5	57.5	51	137	112

### Mobile sockets



	A	B	C	Ø
<b>LV 16 A</b>				
<b>2 P + <math>\frac{1}{2}</math></b>	159 to 170	72.5	86	6.5 to 14
<b>3 P + <math>\frac{1}{2}</math></b>	159 to 170	80.5	93	7.1 to 15.5
<b>3 P + N + <math>\frac{1}{2}</math></b>	179 to 190	89	100	8 to 20
<b>LV 32 A</b>				
<b>2 P + <math>\frac{1}{2}</math></b>	187 to 200	93	104	8 to 20
<b>3 P + <math>\frac{1}{2}</math></b>	187 to 200	93	104	8 to 20
<b>3 P + N + <math>\frac{1}{2}</math></b>	192 to 205	100	110.5	11.9 to 22.2



## P 17 Tempra Pro IP 66/67 LV 16 and 32 A

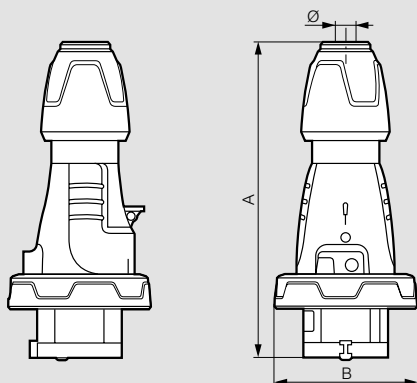
straight plugs and appliance inlets (continued)

## P 17 Tempra Pro IP 66/67 - LV 63 A

surface and panel mounting sockets and appliance inlets

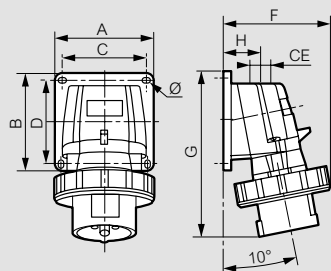
### ■ Dimensions

#### Straight plugs



	A	B	Ø
<b>LV 16 A</b>			
2 P + $\frac{1}{2}$	146 to 157	72.5	6.5 to 14
3 P + $\frac{1}{2}$	146 to 157	80.5	7.10 to 15.5
3 P + N + $\frac{1}{2}$	163 to 176	89	8 to 20
<b>LV 32 A</b>			
2 P + $\frac{1}{2}$	172 to 185	93	8 to 20
3 P + $\frac{1}{2}$	172 to 185	93	8 to 20
3 P + N + $\frac{1}{2}$	179 to 189	100	11.9 to 22.2

#### Appliance inlets



	Weight (kg)	A/B	C/D	F	G	H	CE	Ø
<b>LV 16 A</b>								
2 P + $\frac{1}{2}$	0.188	84	72	87	126	34	M 20	4.3
3 P + $\frac{1}{2}$	0.257	84	72	95	134	34	M 20	4.3
3 P + N + $\frac{1}{2}$	0.297	84	72	100	141	34	M 20	4.3
<b>LV 32 A</b>								
2 P + $\frac{1}{2}$	0.370	110	98	107	168	39	M 25	5.3
3 P + $\frac{1}{2}$								
3 P + N + $\frac{1}{2}$	0.413	110	98	113	168	39	M 25	5.3

### ■ Technical information

Terminal connection:

- Surface and panel mounting sockets - 63 A: max. 1 x 25 mm<sup>2</sup> rigid
- Appliance inlets: - 63 A: max. 1 x 16 mm<sup>2</sup> rigid
- Plugs and mobile sockets: 63 A: max. 1 x 16 mm<sup>2</sup> flexible

IP 66/67 according to BS EN 60529 and IEC 60529

IK 09 according to BS EN 62262 and IEC 62262

Material: plastic

Self-extinguishing: 850 °C (support of active parts) /

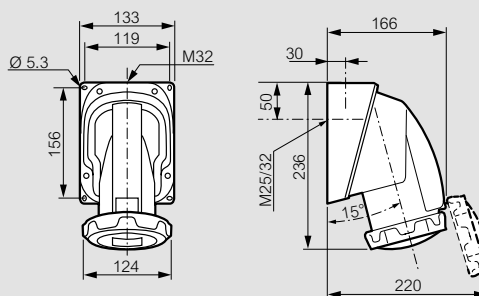
650 °C (plastic housing)

Temp. rating: - 25 °C to + 40 °C

Conform to BS EN 60309-1, BS EN 60309-2, IEC 60309-1 and IEC 60309-2

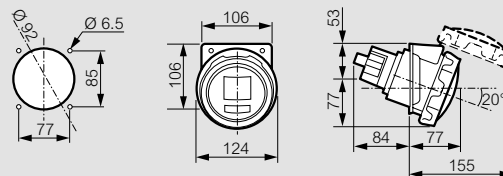
### ■ Dimensions

#### Surface mounting sockets



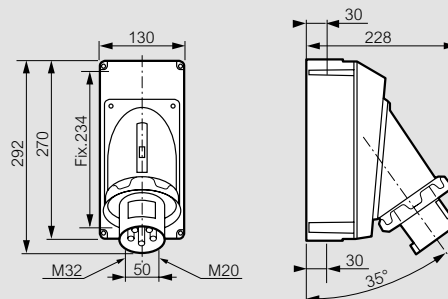
	Weight (kg)
3 P + $\frac{1}{2}$	0.900
3 P + N + $\frac{1}{2}$	0.950

#### Panel mounting sockets inclined outlet



	Weight (kg)
3 P + $\frac{1}{2}$	0.710
3 P + N + $\frac{1}{2}$	0.770

#### Appliance inlets



	Weight (kg)
3 P + $\frac{1}{2}$	1.540
3 P + N + $\frac{1}{2}$	1.610

## P 17 Tempra Pro IP 66/67 - LV 125 A

surface and panel mounting sockets and appliance inlets

## P 17 Tempra Pro IP 66/67/69 - LV 63 and 125 A

mobile sockets and straight plugs

### Technical information

Terminal connection:

- Surface and panel mounting sockets

125 A: max. 1 x 70 mm<sup>2</sup> rigid

- Plugs, mobile sockets:

125 A: max. 1 x 50 mm<sup>2</sup> flexible

- Appliance inlets:

125 A: max. 1 x 16 mm<sup>2</sup> rigid - 125 A: max. 1 x 50 mm<sup>2</sup> rigid

IP 66/67 according to BS EN 60529 and IEC 60529

IK 09 according to BS EN 62262 and IEC 62262

Material: plastic

Self-extinguishing: 850 °C (support of active parts) / 650 °C

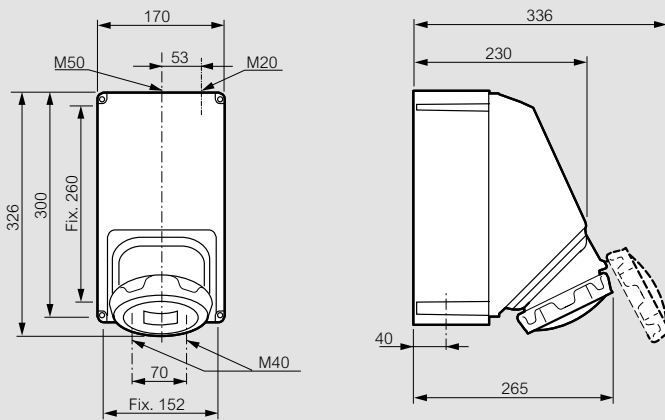
(plastic housing)

Temp. rating: - 25 °C to + 40 °C

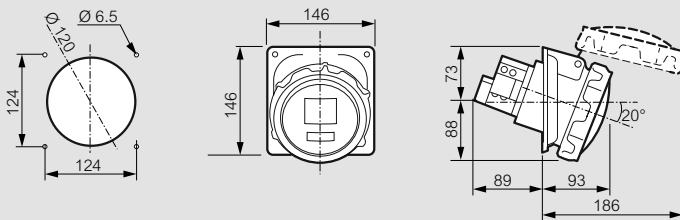
Conform to BS EN 60309-1, BS EN 60309-1, IEC 60309-2 and IEC 60309-2

### Dimensions

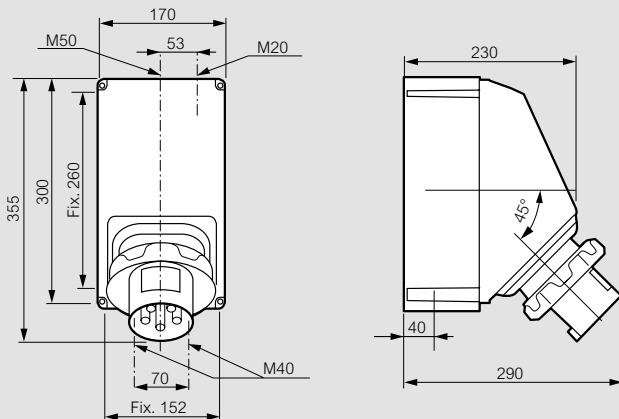
#### Surface mounting sockets



#### Panel mounting sockets inclined outlet



#### Appliance inlets



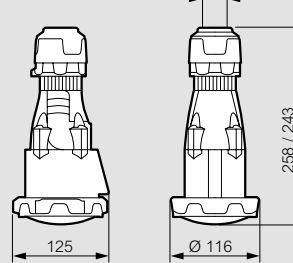
### Dimensions LV 63 A

#### Mobile sockets

2P+T : Ø14.1 / 27.6

3P+T : Ø15.7 / 30.1

3P+N+T : Ø17.5 / 33

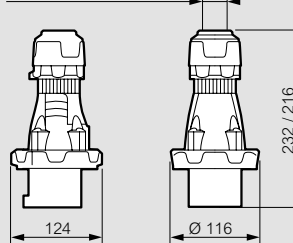


#### Straight plugs

2P+T : Ø14.1 / 27.6

3P+T : Ø15.7 / 30.1

3P+N+T : Ø17.5 / 33

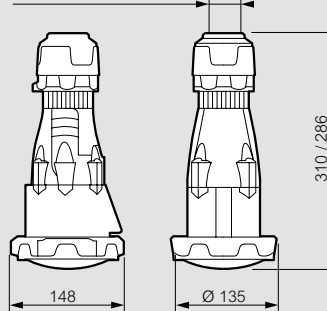


### Dimensions LV 125 A

#### Mobile sockets

3P+T : Ø23.8 / 47.5

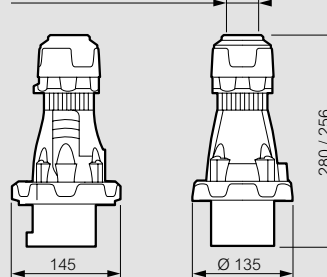
3P+N+T : Ø26.4 / 50



#### Straight plugs

3P+T : Ø23.8 / 47.5

3P+N+T : Ø26.4 / 50



# P 17 Tempra® combination units LV 16 to 63 A

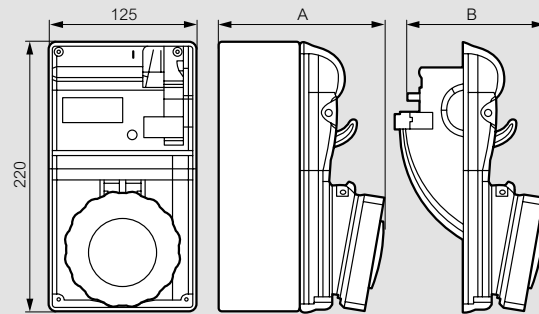
plastic surface mounting

16-32 A INTERLOCKED SWITCHED SOCKETS										
Conform to BS EN 60439-1 and IEC 60439-1 IP 44, IP 55, IP 66 according to BS EN 60529 and IEC 60529 IK 08 according to BS EN 62262 and IEC 62262 Supplied without cable glands Self-extinguishing: 650 °C		WITHOUT PROTECTION 125 x 220 mm		WITH DIN RAIL 125 x 280 mm						
		IP 44	IP 55	IP 44	IP 66					
		Pack	Cat. Nos.	Pack	Cat. Nos.	Pack	Cat. Nos.			
200 to 250 V~ 50/60 Hz	16 A	2 P + ⊥	1	0566 01	1	0566 21	1	0566 41	1	0566 61
	32 A	2 P + ⊥	1	0566 09	1	0566 29	1	0566 49	1	0566 69
380 to 415 V~ 50/60 Hz	16 A	3 P + ⊥	1	0566 05			1	0566 45	1	0566 65
		3 P + N + ⊥	1	0566 06	1	0566 26	1	0566 46	1	0566 66
	32 A	3 P + ⊥	1	0566 13	1	0566 33	1	0566 53	1	0566 73
		3 P + N + ⊥	1	0566 14	1	0566 34	1	0566 54	1	0566 74

63 A INTERLOCKED SWITCHED SOCKETS				
Conform to BS EN 60439-1 and IEC 60439-1 IP 66 according to BS EN 60529 and IEC 60529 IK 08 according to BS EN 62262 and IEC 62262 Supplied without cable glands Self-extinguishing: 650 °C		WITH DIN RAIL		
		IP 66		
		Pack	Cat. Nos.	
380 to 415 V~ 50/60 Hz	63 A	3 P + ⊥	1	0589 18
		3 P + N + ⊥	1	0572 99

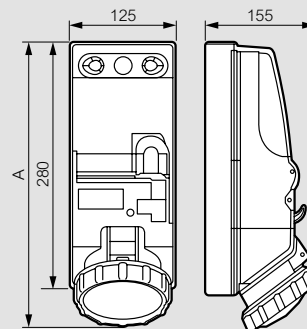
## ■ Dimensions

Without protection  
LV 16/32 A



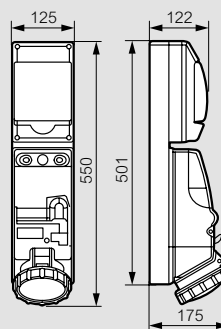
		IP 44 Cat. Nos.	Dimensions (mm)		IP 55 Cat. Nos.	Dimensions (mm)	
			A	B		A	B
LV 16 A	2 P + ⊥	0566 01	127	122	0566 21	133	128
	3 P + ⊥	0566 05	129	124			
	3 P + N + ⊥	0566 06	130	125	0566 26	135	130
LV 32 A	2 P + ⊥	0566 09	138	133	0566 29	143	138
	3 P + ⊥	0566 13	138	133	0566 33	143	138
	3 P + N + ⊥	0566 14	139	134	0566 34	144	139

With DIN rail  
LV 16/32 A



	A	
	IP 44	IP 66
LV 16 A	290	300
LV 32 A	295	310

LV 63 A



# P17 Tempra® self assembly combination units

<b>IK 08 according to BS EN 62262 and IEC 62262</b> <b>Self-extinguishing: 650 °C according to BS EN 60695-2-1 and IEC 60695-2-1</b> <b>Max. IP 66</b>	<b>Example of combination unit configuration</b> 
--	--

## COMBINATION UNITS HEIGHT 220 MM TO 441 MM

BASES FOR 220 x 125 MM FACEPLATES - MAX IP 66								220 X 125 MM FACEPLATES							
Surface mounting box		Base up to 2 sockets 16 A		Base up to 4 sockets 16 A		Base up to 6 sockets 16 A		1 socket 16 or 32 A		2 sockets 16 A		1 socket 63 A		Blank plate	
220 x 125 mm <sup>(2)</sup>		371 x 125 mm <sup>(2)</sup> Rail 5 modules 17.5 mm		441 x 265 mm <sup>(2)</sup> Rail 12 modules 17.5 mm		441 x 405 mm <sup>(2)</sup> Rail 18 modules 17.5 mm									
Pack	Cat. No.	Pack	Cat. No.	Pack	Cat. No.	Pack	Cat. No.	Pack	Cat. No.	Pack	Cat. No.	Pack	Cat. No.	Pack	Cat. No.
1	0577 10	1	0589 38	1	0577 05 <sup>(3)</sup>	1	0577 06 <sup>(3)</sup>	5	0577 12	5	0577 13 <sup>(1)</sup>	2	0577 17	5	0577 15

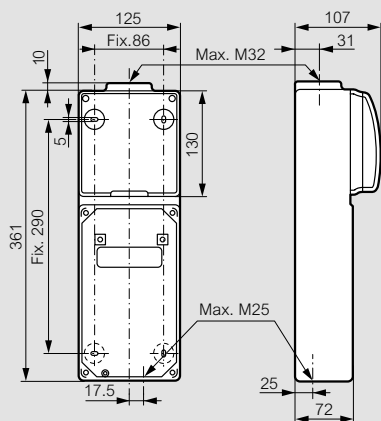
1: Supplied with blanking plate  
 2: External dimensions: H x W  
 3: Can be used with wall mounting lugs Cat. No. 0019 69

### Dimensions

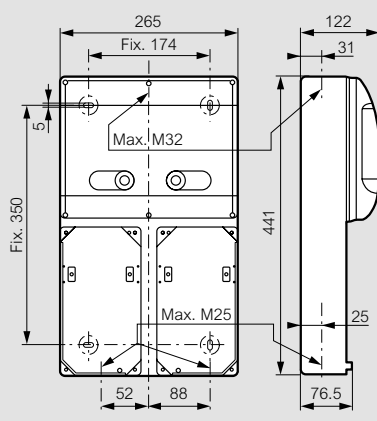
Cable glands are not supplied  
 Entries to drill

#### Bases

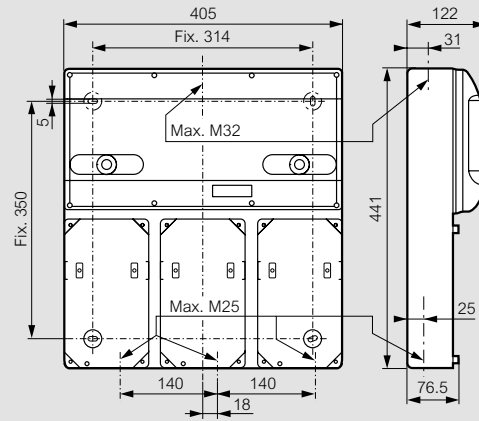
Cat. No. 0589 38



Cat. No. 0577 05



Cat. No. 0577 06





### EXAMPLE OF SOCKETS

LV		IP 44	IP 66-67	
200/250 V $\sim$	16 A	2 P + $\perp$	5551 84	5553 84
	32 A	2 P + $\perp$	5552 84	5554 84
	63 A	2 P + $\perp$	-	5555 84
380/415 V $\sim$	16 A	3 P + $\perp$	5551 88	5553 88
		3 P + N + $\perp$	5551 89	5553 89
	32 A	3 P + $\perp$	5552 88	5554 88
		3 P + N + $\perp$	5552 89	5554 89
	63 A	3 P + $\perp$	-	5555 88
		3 P + N + $\perp$	-	5555 89

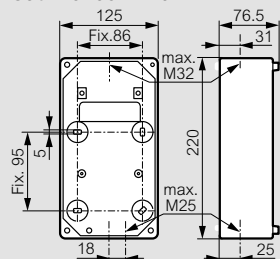
### Examples of most common combinations with bases for 220 x 125 mm faceplates

Base	Total number of sockets on the base	Socket combination	Face plate according to socket intensity		
			16 A	32 A	63 A
0577 10 or 0589 38	1	1 x 16 A or 1 x 32 A or 1 x 63 A	0577 12	0577 12	0577 17
	2	2 x 16 A	0577 13	-	-
0577 05	2	2 x 16 A or 2 x 32 A or 2 x 63 A	0577 12 x 2	0577 12 x 2	0577 17 x 2
		1 x 16 A + 1 x 32 A	0577 12	0577 12	-
		1 x 16 or 32 A + 1 x 63 A	0577 12		0577 17
	3	3 x 16 A	0577 12 + 0577 13	-	-
2 x 16 A + 1 x 32 A		0577 13	0577 12	-	
4	2 x 16 A + 1 x 63 A	0577 13	-	0577 17	
	4 x 16 A	0577 13 x 2	-	-	
0577 06	3	3 x 16 A or 3 x 32 A or 3 x 63 A	0577 12 x 3	0577 12 x 3	0577 17 x 3
		1 x 16 or 32 A + 2 x 63 A	0577 12		0577 17 x 2
		2 x 16 or 32 A + 1 x 63 A	0577 12 x 2		0577 17
	4	2 x 16 A + 1 x 32 A + 1 x 63 A	0577 13	0577 12	0577 17
		2 x 16 A + 2 x 32 A	0577 13	0577 12 x 2	-
		2 x 16 A + 2 x 63 A	0577 13	-	0577 17 x 2
5	4 x 16 A + 1 x 32 A	0577 13 x 2	0577 12	-	
	4 x 16 A + 1 x 63 A	0577 13 x 2	-	0577 17	
6	16 A	0577 13 x 3	-	-	

### Dimensions (continued)

#### Surface mounting boxes

Cat. No. 0577 10



# Catalogue number index

Cat. No.	Page	Pack	Cat. No.	Page	Pack	Cat. No.	Page	Pack	Cat. No.	Page	Pack
<b>0521 00</b>			<b>0580 00</b>								
0521 25	10	10	0580 54	10	5	36	-	5	56	-	5
26	-	5	58	-	5	37	-	5	58	-	5
27	-	5	59	-	5	38	-	10	59	-	5
0527 99	10	5	0581 40	10	5	39	-	10	84	-	5
<b>0560 00</b>			41	-	5	40	-	5	85	-	5
0566 01	17	1	0582 84	10	5	51	-	5	86	-	5
05	-	1	86	-	5	54	-	5	88	-	5
06	-	1	88	-	5	55	-	5	89	-	5
09	-	1	89	-	5	56	-	5	91	-	5
13	-	1	0589 18	17	1	57	-	5	5555 04	11	2
14	-	1	38	18	1	58	-	10	05	-	2
21	-	1	<b>5550 00</b>			59	-	10	06	-	2
26	-	1	5551 01	10	10	60	-	5	08	-	2
29	-	1	02	-	5	81	-	5	09	-	2
33	-	1	04	-	10	84	-	10	14	-	2
34	-	1	05	-	5	85	-	5	18	-	2
41	-	1	06	-	5	86	-	5	19	-	2
45	-	1	07	-	5	88	-	10	24	-	2
46	-	1	08	-	10	89	-	10	25	-	2
49	-	1	09	-	10	90	-	5	26	-	2
53	-	1	10	-	5	5553 01	11	5	28	-	2
54	-	1	21	-	10	04	-	5	29	-	2
61	-	1	22	-	5	05	-	5	54	-	2
65	-	1	24	-	10	06	-	5	55	-	2
66	-	1	25	-	5	08	-	5	56	-	2
69	-	1	26	-	5	09	-	5	58	-	2
73	-	1	27	-	5	21	-	5	59	-	2
74	-	1	28	-	10	24	-	5	84	-	2
0568 03	11	5	29	-	10	25	-	5	85	-	2
07	-	5	30	-	5	26	-	5	86	-	2
08	-	5	51	-	5	27	-	5	88	-	2
23	-	5	52	-	5	28	-	10	89	-	2
27	-	5	54	-	10	29	-	10	5556 08	11	1
28	-	5	55	-	5	30	-	5	09	-	1
<b>0570 00</b>			56	-	5	51	-	5	18	-	1
0572 99	17	1	57	-	5	54	-	5	19	-	1
0573 54	10	5	58	-	10	55	-	5	28	-	1
58	-	5	59	-	10	56	-	5	29	-	1
59	-	5	60	-	5	58	-	5	58	-	1
0574 40	10	5	81	-	5	84	-	5	59	-	1
41	-	5	84	-	10	85	-	5	88	-	1
0575 84	-	5	85	-	5	86	-	5	89	-	1
85	-	5	86	-	5	88	-	5	<b>6 570 00</b>		
86	-	5	88	-	10	89	-	5	6571 06	11	1
88	-	5	89	-	10	5554 14	11	5			
89	-	5	5552 11	10	5	15	-	5			
0577 05	18	1	14	-	10	16	-	5			
06	-	1	15	-	5	18	-	5			
10	-	1	16	-	5	19	-	5			
0577 12	18	5	17	-	5	21	-	5			
13	-	5	18	-	10	31	-	5			
15	-	5	19	-	10	34	-	5			
17	-	2	5552 20	10	5	35	-	5			
			31	-	5	36	-	5			
			34	-	10	38	-	5			
			35	-	5	39	-	5			
						5554 41	11	5			
						51	-	5			
						54	-	5			
						55	-	5			

# Industrial plugs and sockets to International Standards

## Conform to BS EN 60309-1, BS EN 60309-2, IEC 60309-1 and IEC 60309-2

### ■ Voltage identification

Colours specified by standards and the clock indexing of the contact tubes in socket outlets

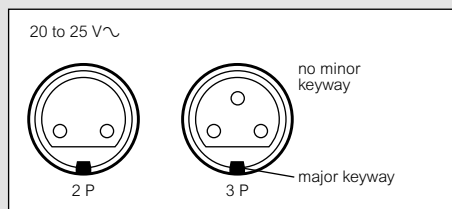
### ■ With Legrand's P 17 Tempra Pro industrial plugs and sockets, your installations will comply fully with international standards :

- Standard IEC 60309-1 : this defines the safety regulations (protection of workers) which should be observed in the manufacture of industrial power sockets and plugs
- Standard IEC 60309-2 : this defines the interchangeability regulations for the dimensions of equipment with pins and sockets

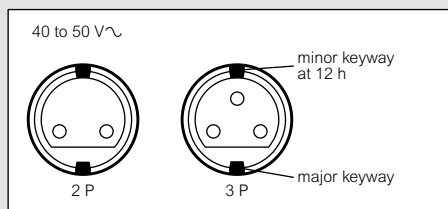
These safety regulations, together with the requirements of standard BS EN 60309-1, define the safety conditions necessary for normal operation. It is prudent to go one step further and insist on equipment which ensures the safety of the persons as a priority as well as ease of operation. Many manufacturers therefore use sockets which incorporate a switch, to avoid on-load disconnection.

### ELV by position of the minor keyway

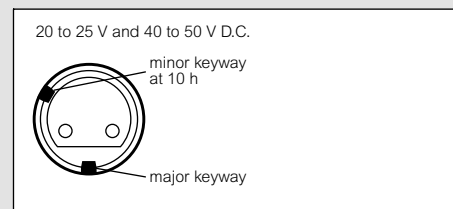
24 V $\sim$  50 – 60 Hz Violet



42 V $\sim$  50 – 60 Hz White

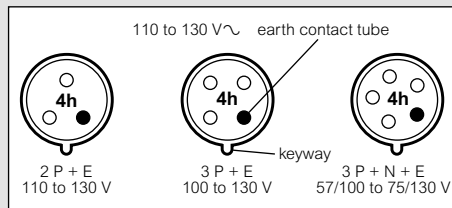


42 V $\equiv$  White

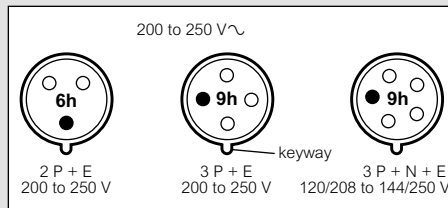


### LV by the position of the earth contact tube in relation to the major keyway in the socket outlets

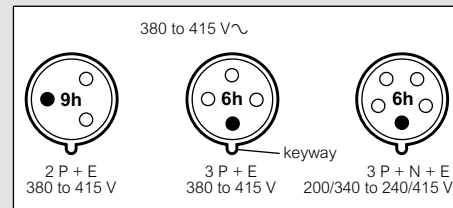
110 V $\sim$  50 – 60 Hz Yellow



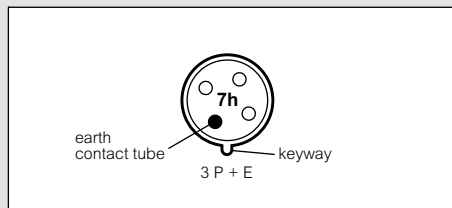
230 V $\sim$  50 – 60 Hz Blue



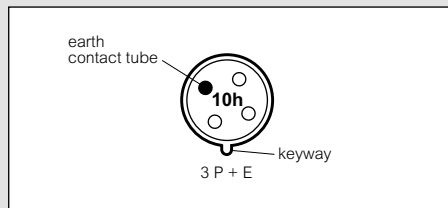
400 V $\sim$  50 – 60 Hz Red



500 V $\sim$  50 – 60 Hz Black



> 50 to 500 V $\sim$   
100 to 300 Hz inclusive Green



### ■ Terminal connection capacity and contact sizes

- Terminal connection capacity

	P 17 Tempra Pro
ELV 16/32 A	1 x 10 mm (A + B)
LV 16 A	1 x 4 mm (A) 1 x 2.5 mm (B)
LV 32 A	1 x 10 mm (A) 1 x 6 mm (B)
LV 63 A	1 x 25 mm (A) 1 x 16 mm (B)
LV 125 A	1 x 70 mm (A) 1 x 50 mm (B)

- Diameters of pins or contact tubes (mm)

		16 A	32 A	63 A	125 A
24 V $\sim$ 42 V $\sim$ 42 V $\equiv$	Phase	6	6	–	–
	Phase + Neutral	5	6	8	10
110 V $\sim$ 230 V $\sim$ 400 V $\sim$ 440 V $\sim$ 500 V $\sim$	Earth	7	8	10	12
	Pilot	–	–	6	6

(A) Panel mounting sockets  
(B) Mobile sockets and plugs

## Contact details

### United Kingdom

Great King Street North,  
Birmingham, B19 2LF

### Customer Services:

Tel: +44 (0) 345 605 4333  
E-mail: [legrand.sales@legrand.co.uk](mailto:legrand.sales@legrand.co.uk)

### Quotations and Technical Support:

Tel: +44 (0) 370 608 9020  
E-mail: [uk-wdsales@legrand.co.uk](mailto:uk-wdsales@legrand.co.uk)

### Republic of Ireland:

Tel: 01 295 9673 Fax: 01 295 4671  
E-mail: [legrand.sales@legrand.co.uk](mailto:legrand.sales@legrand.co.uk)



**FOLLOW US AT**

-  [www.legrand.co.uk](http://www.legrand.co.uk)  
[www.legrand.ie](http://www.legrand.ie)
-  [www.youtube.com/legrandtvuk](https://www.youtube.com/legrandtvuk)
-  [www.voltimum.co.uk](http://www.voltimum.co.uk)  
[www.voltimum.ie](http://www.voltimum.ie)
-  [www.twitter.com/legranduk](https://www.twitter.com/legranduk)
-  [www.linkedin.com/company/legranduk](https://www.linkedin.com/company/legranduk)



### Head office (UK and Ireland):

Legrand Electric Limited  
Great King Street North, Birmingham, B19 2LF  
Tel: +44 (0) 370 608 9000 Fax: +44 (0) 370 608 9004  
Website: [www.legrand.co.uk](http://www.legrand.co.uk)

In accordance with its policy of continuous improvement, the Company reserves the right to change specifications and designs without notice. All illustrations, descriptions, dimensions and weights in this catalogue are for guidance and cannot be held binding on the Company. All contents and design presentation included in this publication are © Legrand Electric Limited. All rights reserved. 2020



This document is printed on sustainably sourced paper. Please recycle.

The Legrand logo is a registered trademark of the Legrand group of companies.