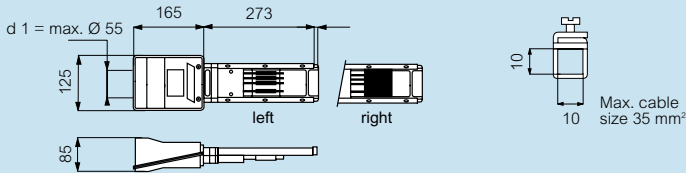


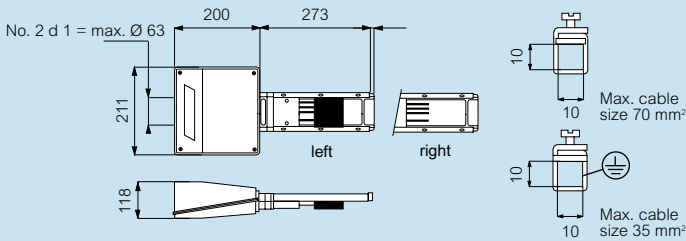
### ■ End feed units

Installation is carried out with a quick junction connection. The feed units have terminals for the connection of copper cables for sections of up to 35 mm<sup>2</sup> for the 63/100 A feed unit and 70 mm<sup>2</sup> for the 160 A feed unit. The entrance point of the cables is positioned at the end of the feed unit.

63 – 100 A

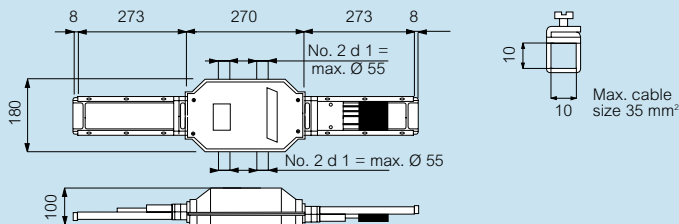


160 A

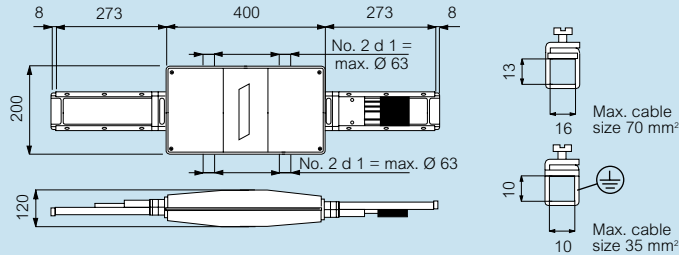


### ■ Centre feed units

63 – 100 A



160 A



### Tap-off boxes

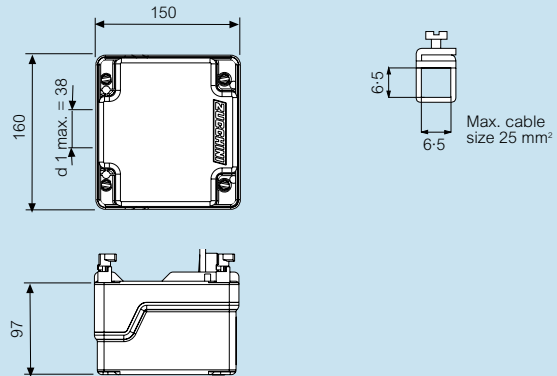
Used to connect and energise single phase and three phase loads up to 63 A. Features include :

- the PE contact (protective earth) is the first to make an electrical connection when inserting the box into the outlet and it is the last to disconnect when removing
- compliance with all insulating plastic components according to the glow-wire test (IEC 60695-2-10) with V1 self-extinguishing degree (UL94)
- standard IP 55 degree of protection without using additional accessories
- can be inserted and removed when the busbar is energised and when the fixture is under load, up to a capacity of 32 A

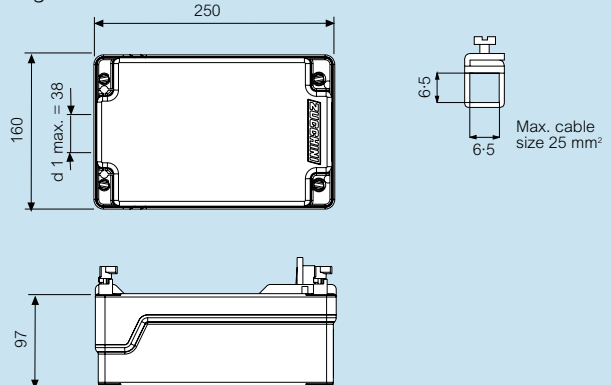
These boxes are available in a wide range of versions :

- 63 A empty boxes (only with a terminal board for connecting cables), with an internal DIN rail and transparent door
- 16 A - available with a set of three cylindrical fuse carriers (10.3 x 38 mm)
- 16/32 A - available with a set of three cylindrical fuse carriers - DIAZED (D01 : 16 A; D02 : 32 A);
- 50 A - available with cylindrical fuse carriers (14 x 51 mm)
- 63 A - available with 4-7-16 DIN mod.
- 16 to 63 A - available with a disconnection device integral with the cover

Standard version



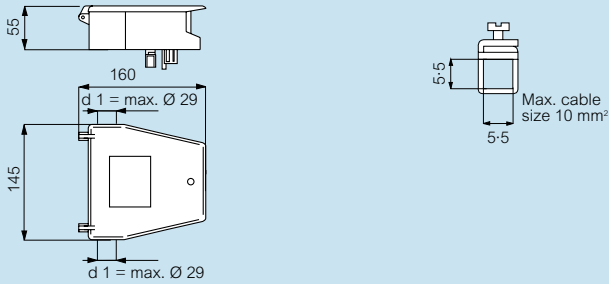
Long version



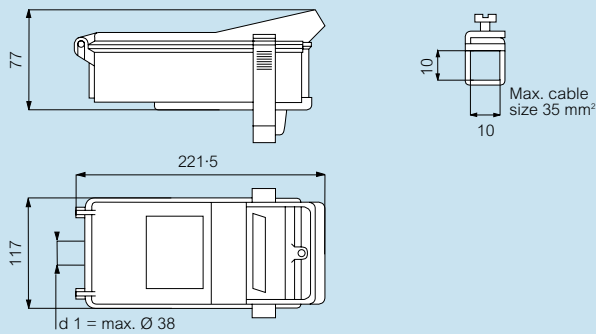
# MS double sided busbar

## technical information

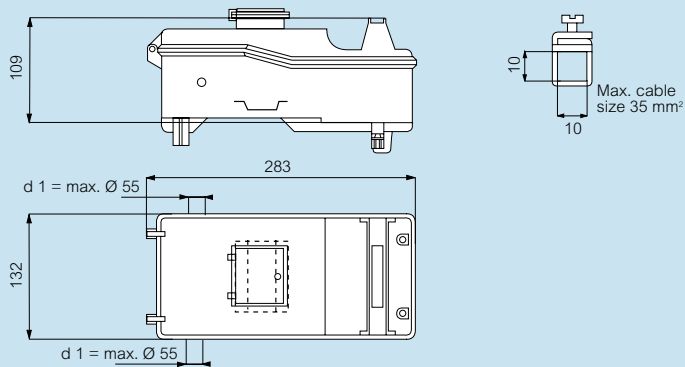
### ■ Tap-off box with CH10 fuseholder (10-3 x 38)



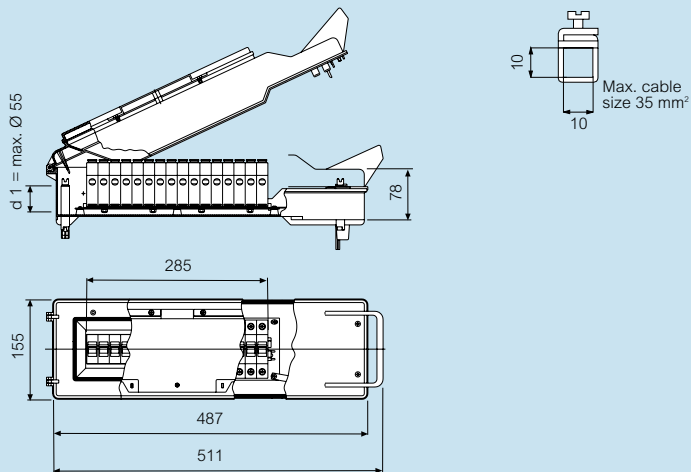
### ■ Tap-off box with CH14 fuseholder (14 x 51)



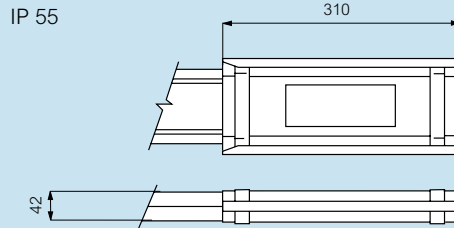
### ■ 63 A tap-off boxes



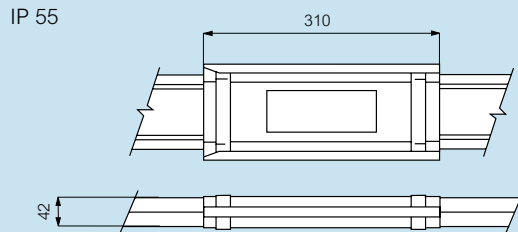
### Tap-off box with hinged door (up to 16 modules DIN)



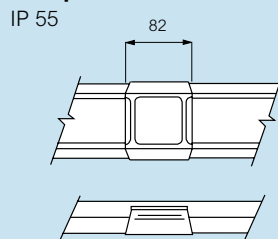
### ■ End stop



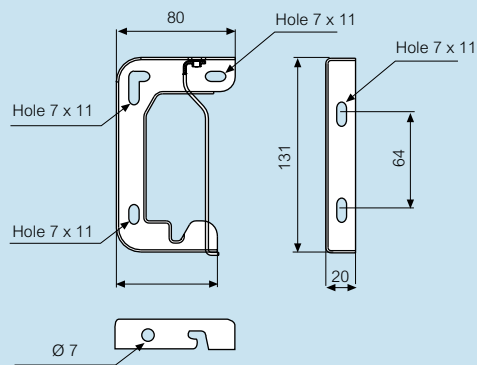
### ■ Joint cover



### ■ Tap-off outlet cover



### ■ Suspension bracket



All dimensions (mm) are nominal