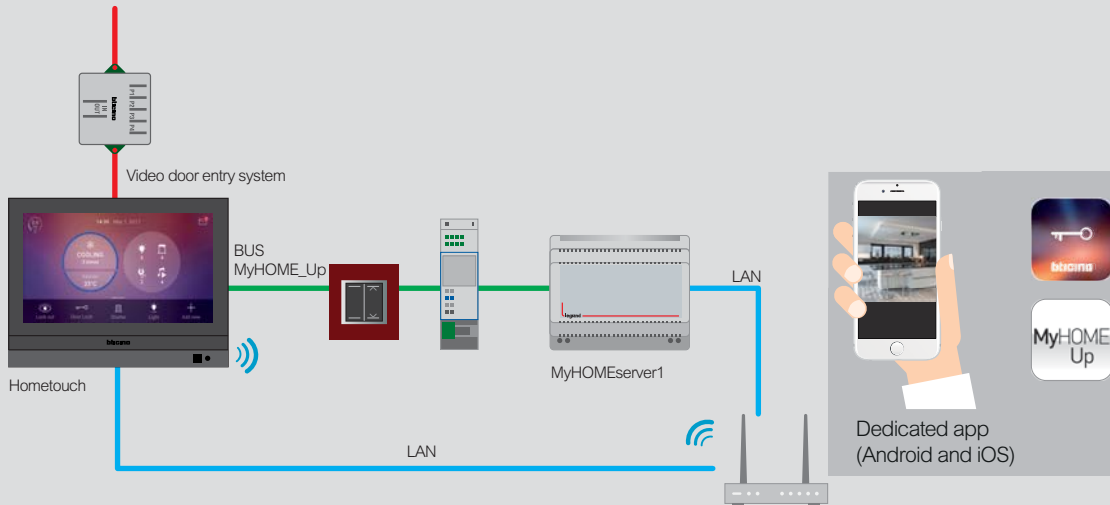


MyHOME_Up

BUS home system management

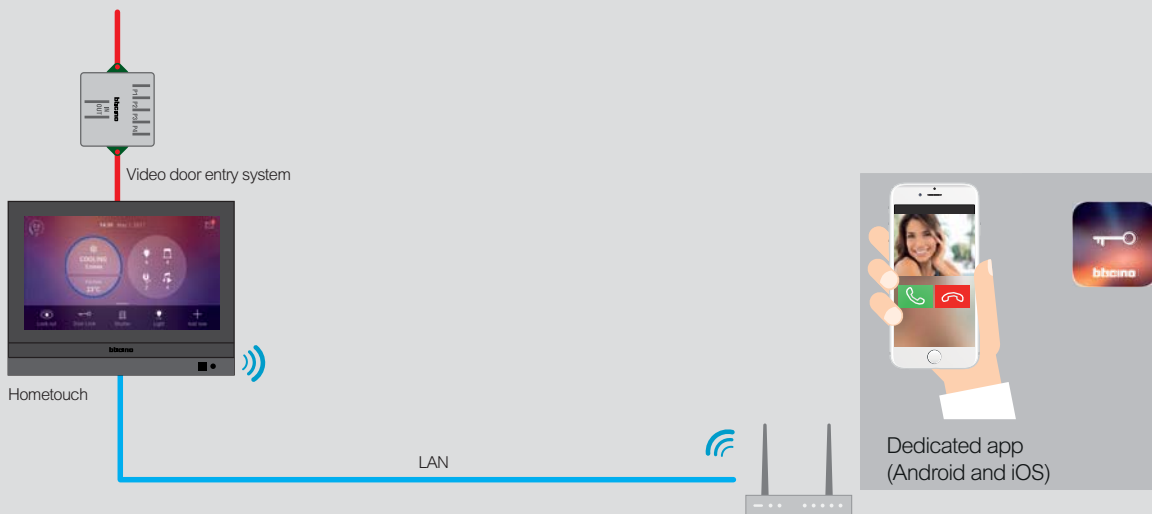
MyHOME_Up



Hometouch can be used as an internal unit for video door entry systems and a touch screen for the MyHOME_Up system

Note: Hometouch connection to network can be done via LAN or WiFi

Hometouch as a video door entry system internal unit



Hometouch can also be used as a video door entry system internal unit:

- answering a call, opening gates and doors, activating cameras, communication with other panels
- connect to a dedicated app (Android and iOS)

Note: Hometouch connection to network can be done via LAN or WiFi