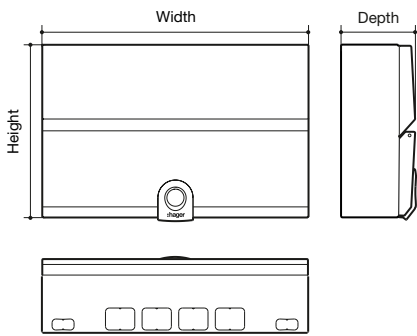


Design 10 Dimensions (mm)

	Enclosure Size					
	2	3	4	5	6	7
Height	246	246	246	246	246	246
Width	155	227	299	370	406	478
Depth 1	83	83	83	83	83	83
Depth 2	100	100	100	100	100	100

Boards with Square Knockouts		Number of Knockouts					
<input type="checkbox"/>	Top Face 30 x 25 (mm)	2	2	2	2	2	2
<input type="checkbox"/>	Top Face 40 x 30 (mm)	0	2	4	4	6	6
<input type="checkbox"/>	Back 100 x 50 (mm)	1	1	1	3	3	3
<input type="checkbox"/>	Bottom Face 30 x 25 (mm)	2	3	4	4	5	5

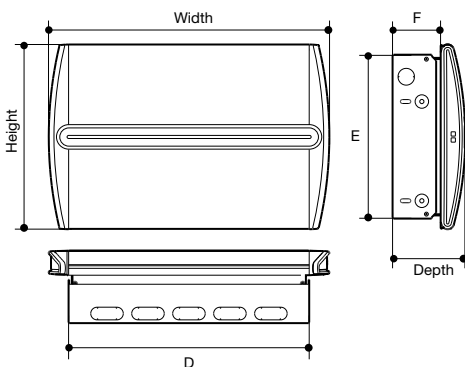
Boards with Round Knockouts		Number of Knockouts					
<input type="checkbox"/>	Top/Bottom Face 20mm	x	x	x	5	6	8
<input type="checkbox"/>	Top/Bottom Face 25mm	x	x	x	2	2	2
<input type="checkbox"/>	Top/Bottom Face 32mm	x	x	x	2	2	2
<input type="checkbox"/>	Back 100 x 50mm	x	x	x	3	3	3



Design 30 Dimensions (mm)

	Enclosure Size					
	2	3	4	5	6	7
Height	240	240	240	240	240	240
Width	149	221	293	364	400	472
Depth	102.5	102.5	102.5	102.5	102.5	102.5

		Number of Knockouts					
<input type="checkbox"/>	Top Face 30 x 25 (mm)	2	2	2	2	2	2
<input type="checkbox"/>	Top Face 40 x 30 (mm)	0	2	4	4	6	6
<input type="checkbox"/>	Back 100 x 50 (mm)	1	1	1	3	3	3
<input type="checkbox"/>	Bottom Face 30 x 25 (mm)	2	3	4	4	5	5



Design 50 Dimensions (mm)

	Enclosure Size			
	4	5	6	7
Height	284	284	284	284
Width	359	431	467	539
Depth	105	105	105	105
D	298	370	406	478
E	252	252	252	252
F	72	72	72	72

		Number of Knockouts			
<input type="checkbox"/>	Top Face 50 x 20 (mm)	4	5	6	7
<input type="checkbox"/>	Bottom Face 50 x 20 (mm)	4	5	6	7
<input type="checkbox"/>	Back 100 x 50 (mm)	2	2	2	3
<input type="checkbox"/>	Left Face 20.8 (mm)	1	1	1	1

Adjustable Depth Base

The base assembly is adjustable from 72mm to 92mm. At 72mm this allows for a 60mm studwork and 12mm of plasterboard.