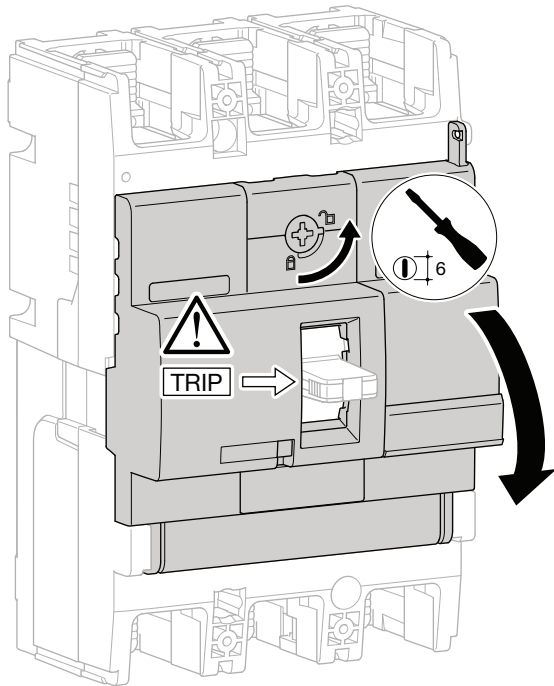


Auxiliaries

Auxiliaries for MCCBs and moulded case switches

Commercial
 Distribution



Mounting combination for auxiliaries and releases

AX
 Auxiliary contact

AL
 Alarm contact

