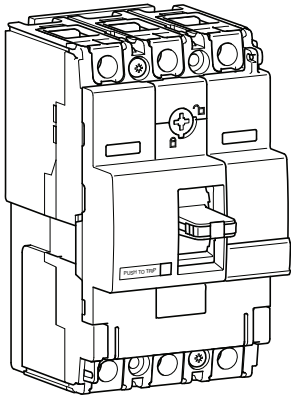


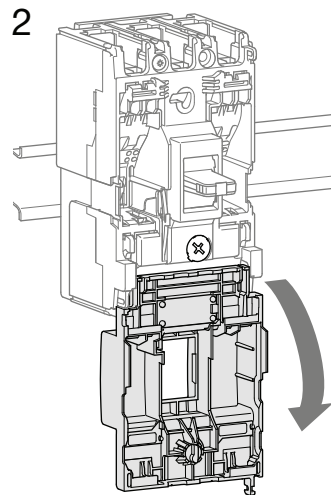
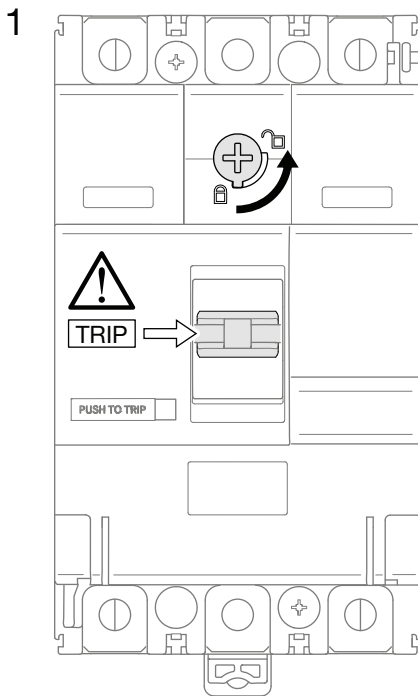
MCCBs



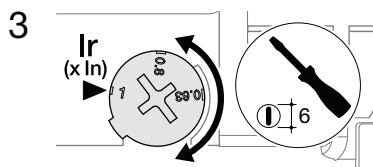
		220/240V AC IEC 60 947-2	380/415V AC IEC 60 947-2
HDA	I_{cu}	25 kA	18 kA
	I_{cs}	25 kA	18 kA
HHA	I_{cu}	35 kA	25 kA
	I_{cs}	25 kA	20 kA
HCA	I_{cm}	-	2.8 kA
	I_{cw}	-	2 kA - 1s

Commercial
Distribution

Thermal settings



For DIN rail mounting, use **HYA033H**.



Thermal adjustment from 0.63 to $1 \times I_n$

Magnetic adjustment fixed $> 10 \times I_n$

I_n	16 - 50 A	63 - 80 A	100 - 125 A	160 A
I_{mag}	600 A	1000 A	1500 A	1600 A