

**GILFLEX**

**PROFESSIONAL CONDUIT  
AND TRUNKING SYSTEMS**



In 1943 Thomas Charles Gilbert was granted a patent for his flexible non-metallic wiring system. That invention evolved into PVC conduit and was the forerunner of the wide range of products now used in the modern domestic or commercial building.

Since then Gilflex, as he called his company, has attracted many imitators, but through the constant process of development and change has remained a supplier of the highest quality PVCu products.

Gilflex's distribution policy is designed to offer unrivalled levels of service and support nationwide. The products are manufactured in Britain, and our adherence to relevant British Standards assures that the quality of the products are consistent throughout. It may come as no surprise to learn that Gilflex were the first PVCu trunking and conduit manufacturer to be awarded BS 5750 Part 1 registration in 1987. Systems are now manufactured to BS EN ISO 9002 ensuring attention to quality continues.

One call to our sales desk will enable you to get all the information you require with regard to price and availability.

If you should need specialist technical advice, please call our fully trained Technical Sales and Services department on 01268 563720.

## CONTENTS

<b>SYSTEM 38 TRUNKING</b>	<b>4-5</b>
System 38 Three Compartment Dado Trunking	4
System 48 Three Compartment Skirting Trunking	5
<b>CONDUIT SYSTEMS</b>	<b>6-8</b>
High Impact Round Rigid Conduit	6
Oval Rigid Conduit	6
Channelling	6
Pliable Corrugated Round Conduit	7
Conduit Accessories	7-8
<b>MINI-TRUNKING</b>	<b>9-11</b>
Homeline Mini-Trunking	9
Homeline Self-Adhesive Mini-Trunking	9
GT Range Mini-Trunking	9
Self-Adhesive GT Range Mini-Trunking	9
Divided GT Range Mini-Trunking	9
GT Range / Homeline Trunking Fittings	10
GT Range Switch and Socket Boxes	11
<b>COMMERCIAL AND INDUSTRIAL TRUNKING</b>	<b>12-13</b>
Commercial and Industrial Bench Trunking	12
Commercial and Industrial Trunking	12
Commercial and Industrial Trunking Fittings	13
<b>OFFICE SYSTEMS</b>	<b>14</b>
Pipe Covers and Enclosures	14
<b>GENERAL TECHNICAL INFORMATION</b>	<b>15</b>
General Technical Information	15

# SYSTEM 38/48 TRUNKING

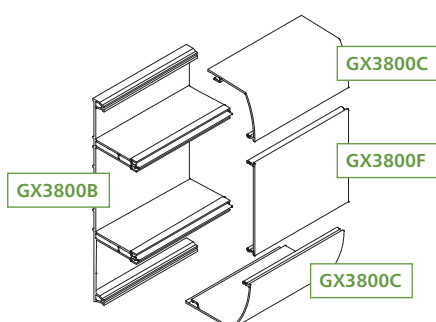
System 38/48 is a neat, clean three compartment trunking that will provide a perimeter service system at dado or skirting level. With segregated compartments for power, data and telecom cabling, each service can be accessed without exposing other services for additions and alterations.

- Two profiles available
- Wide range of fittings are available to complement the trunking
- Manufactured from 90% recycled PVCu† to provide an aesthetic and durable solution to all your trunking needs
- One piece fittings with retaining screws for long term secure fit, ideal for school environments etc
- Supplied in component form for speed of installation and protection of components on-site
- Protective film covers all lids to ensure quality of finish is not compromised during installation



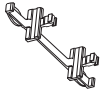








† Applicable to extrusions only and based on 2008 consumption

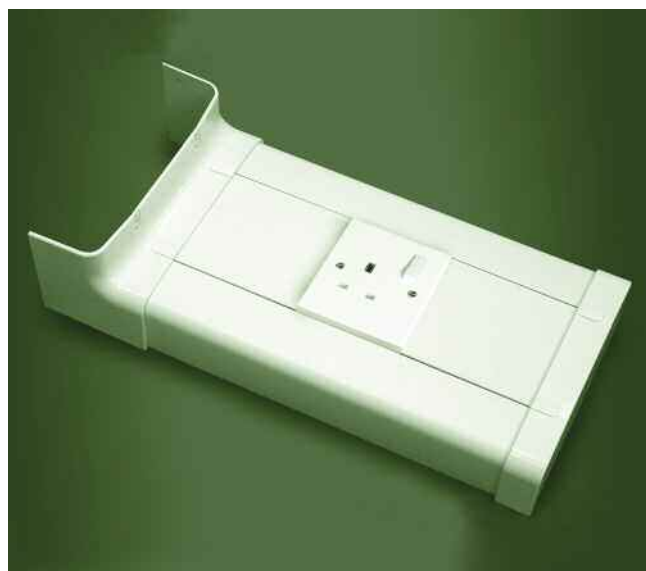
## SYSTEM 38 DADO TRUNKING

Ref. No.	Detail	Std Pack
<b>DADO TRUNKING COMPONENTS</b>		
GX3800B WHI*	Base Carrier	6m
GX3800C WHI*	Curved Lid (x2)	30m
GX3800F WHI*	Flat Lid (centre)	30m



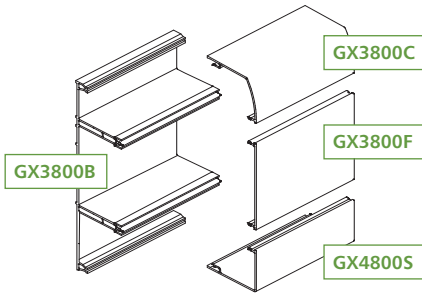
## DADO TRUNKING ACCESSORIES

Ref. No.	Detail	Std Pack
<b>EXTERNAL CORNER</b>		
GX3801 WHI	Includes screws, screw caps and segregators	Each 
<b>INTERNAL CORNER</b>		
GX3802 WHI	Includes screws and screw caps	Each 
<b>BASE COUPLER</b>		
GX3808 WHI*		5 
<b>COVER JOINT</b>		
GX3811 WHI	Includes screws and screw caps	5 
<b>TRUNKING END CAP</b>		
GX3816 WHI	Includes screws and screw caps	Pair 
<b>CABLE RETAINERS</b>		
GX3817 WHI*	For top/bottom compartments	10 
GX3818 WHI*	For centre compartment	10 
<b>SINGLE ACCESSORY BOX</b>		
GX3821 WHI*	Fixing Centre 60.3mm 25mm deep	25 
<b>TWIN ACCESSORY BOX</b>		
GX3822 WHI*	Fixing Centre 120.6mm 25mm deep	10 
<b>FLAT ELBOW</b>		
GX3825 WHI	Fabricated Elbow	Each 
<b>FLAT TEE</b>		
GX3828 WHI	Fabricated Tee	Each 
<b>SPARES</b>		
GX3836*	Screw fixing kit	2 Caps 4 Screws














## SYSTEM 48 SKIRTING TRUNKING

Ref. No.	Detail	Std Pack
<b>SKIRTING TRUNKING COMPONENTS</b>		
GX3800B WHI*	Base Carrier	6m
GX3800C WHI*	Curved Lid	30m
GX3800F WHI*	Flat Lid (centre)	30m
GX4800S WHI	Square Lid	30m



## SKIRTING TRUNKING ACCESSORIES

Ref. No.	Detail	Std Pack
<b>EXTERNAL CORNER</b>		
GX4801 WHI	Includes screws, screw caps and segregators	Each 
<b>INTERNAL CORNER</b>		
GX4802 WHI	Includes screws and screw caps	Each 
<b>BASE COUPLER</b>		
GX3808 WHI*		5 
<b>COVER JOINT</b>		
GX4811 WHI	Includes screws and screw caps	5 
<b>TRUNKING END CAP</b>		
GX4816 WHI	Left & right hand – Include screws and screw caps	Pair 
<b>CABLE RETAINERS</b>		
GX3817 WHI*	For top/bottom compartments	10 
GX3818 WHI*	For centre compartment	10 
<b>SINGLE ACCESSORY BOX</b>		
GX3821 WHI*	Fixing Centre 60.3mm 25mm deep	25 
<b>TWIN ACCESSORY BOX</b>		
GX3822 WHI*	Fixing Centre 120.6mm 25mm deep	10 
<b>FLAT ELBOW</b>		
GX4825 WHI	Fabricated Elbow	Each 
<b>FLAT TEE</b>		
GX4828 WHI	Fabricated Tee	Each 
<b>SPARES</b>		
GX3836*	Screw fixing kit	2 Caps, 4 Screws

## CABLE CAPACITIES

To conform to the requirements of IEE Regulations, power cables must not occupy more than 45% of the area available within a trunking section.

Profile	Trunking Size mm	Compartment	45% Space factor mm <sup>2</sup>
<b>Dado</b>	170 x 50	Centre	1530
		Top/Bottom	652
<b>Skirting</b>	170 x 50	Centre	1530
		Top	652
		Bottom	703

Type of Conductor	Conductor cross sectional area mm <sup>2</sup>	Factor
<b>Solid</b>	1.5	8.0
	2.5	11.9
<b>Stranded</b>	1.5	8.6
	2.5	12.6
	4.0	16.6
	6.0	21.2
	10.0	35.3

For single-core PVC insulated cables in trunking.

For each cable to be used, obtain the cable factors from the table. Add all factors together and compare with the capacities given.

Any trunking with a space factor equal or larger than that of the total cable factors will satisfactorily accommodate the cables.

## TECHNICAL INFORMATION

Service outlets are provided by the insertion of accessory boxes to replace short lengths of the centre compartment cover. All services are mounted in the centre compartment using GX3821 Single or GX3822 Twin Accessory boxes.

Moulded internal corners, external corners and jointing pieces are fixed to the trunking body with countersunk self-tapping screws (these screws fix into the compartment dividing webs and do not enter the cable compartments) after the installation of cabling, accessory mounting and cover fitting. A base coupler and cover joint are required for every trunking joint. Self-tapping screws (which are concealed by screw caps) also fix end caps at the end of a trunking run.

Accessory boxes (GX3821 Single and GX3822 Twin) locate into the centre compartment. The removal of a section of cover the same length as the accessory boxes (70mm for GX3821; 135mm for GX3822) is required. The ends of the cut cover lengths must overlap the 'wings' of the accessory boxes. The accessories mask the cut ends of the covers.

Cable clips (GX3817 Top/Bottom and GX3818 Centre) are available for fixing into the compartments to retain cables within the trunking body.



\* Items are common to both Skirting and Dado Systems

Gilflex offers a broad range of conduit systems, including; round, oval, channel and corrugated conduit. All manufactured from high quality PVCu polymer.

- Available in a wide range of sizes
- Wide range of accompanying fittings to suit most applications
- Gilflex has the 'Klickfit' range of fittings for speed and ease of installation
- Durable and impact resistant

## HIGH IMPACT ROUND RIGID CONDUIT

Ref. No.	Standard Pack	Diameter
<b>HEAVY GAUGE</b>		
RG 16 BLK	90m (30x3m)	16mm
RG 20 WHI	90m (30x3m)	20mm
RG 20 BLK	90m (30x3m)	20mm
RG 25 WHI	90m (30x3m)	25mm
RG 25 BLK	90m (30x3m)	25mm
RG 50 WHI	30m (10x3m)	50mm
RG 50 BLK	30m (10x3m)	50mm

## OVAL RIGID CONDUIT

Ref. No.	Standard Pack	Size AxB
ROG 1 WHI	150m (50x3m)	13 x 8mm
ROG 2 WHI	150m (50x3m)	16 x 10mm
ROG 3 WHI	150m (50x3m)	22 x 11mm
ROG 4 WHI	150m (50x3m)	23.5 x 14mm
ROG 5 WHI	150m (50x3m)	28 x 11mm

## CHANNELLING

Ref. No.	Standard Pack	Size AxB
GC 1 WHI	225m (100x2.25m)	13 x 8mm
GC 2 WHI	225m (100x2.25m)	25 x 8mm
GC 3 WHI	225m (100x2.25m)	38 x 9.5mm
GC 12 WHI	100m (50x2m)	13 x 8mm
GC 22 WHI	100m (50x2m)	25 x 8mm
GC 32 WHI	100m (50x2m)	38 x 9.5mm



## PLIABLE CORRUGATED ROUND CONDUIT



Ref. No.	Size	Standard Pack
<b>PLIABLE CORRUGATED ROUND CONDUIT (SHOWN ABOVE)</b>		
GF 16 WHI	16mm	50m
GF 20 WHI	20mm	50m
GF 25 WHI	25mm	50m

### ADAPTORS

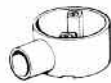
FAB 20 WHI	20mm	50
FAB 25 WHI	25mm	50

## CONDUIT ACCESSORIES

Ref. No.	Size	Std Pack
----------	------	----------

### TERMINAL SPOUT

B 24 *	20mm	20
B 26 *	25mm	10



### THROUGH SPOUT

B 34 *	20mm	20
B 36 *	25mm	10



### ANGLE SPOUT

B 44 *	20mm	20
B 46 *	25mm	10



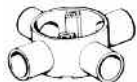
### TEE 3 WAY SPOUT

B 54 *	20mm	20
B 56 *	25mm	10



### INTERSECTION 4 WAY SPOUT

B 64 *	20mm	20
B 66 *	25mm	10



### ADAPTORS PLAIN CONDUIT TO FEMALE THREAD

GFA 20 *	20mm	100
GFA 25 *	25mm	50
GFA 32 *	32mm	25
GFA 38 *	38mm	25
GFA 50 *	50mm	10



### ADAPTORS PLAIN CONDUIT TO MALE THREAD

GMA 20 *	20mm	100
GMA 25 *	25mm	50



Ref. No.	Size	Std Pack
----------	------	----------

### CLICKFIT SMALL INSPECTION BENDS

GIBS 20 *	20mm	25
GIBS 25 *	25mm	25



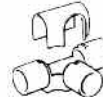
### CLICKFIT INSPECTION ELBOWS

GIE 20 *	20mm	25
----------	------	----



### CLICKFIT INSPECTION TEES

GIT 20 *	20mm	25
GIT 25 *	25mm	25



### CLICKFIT SPACER SADDLE

GSB 20 *	20mm	100
GSB 25 *	25mm	100



### PLAIN BENDS

GPB 20 *	20mm	25
GPB 25 *	25mm	10
GPB 32 *	32mm	5



### THREADED MALE BUSHES

GB 20 *	20mm	100
GB 25 *	25mm	100
GB 50 *	50mm	50



## CONDUIT ACCESSORIES

Ref. No.	Size	Std Pack
----------	------	----------

### SPOUT ADAPTORS

GSA 20 WHI	20mm	100
------------	------	-----



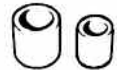
### PLAIN COUPLERS

GSC 20 *	20mm	100
GSC 25 *	25mm	100
GSC 50 *	50mm	25



### PLAIN REDUCERS

GR 1M *	16/20mm	50
GR 2M *	20/25mm	50



### LOCK RINGS

GL 20 *	20mm	100
GL 25 *	25mm	100



### SPACER BAR SADDLE

SB 20 *	20mm	100
SB 25 *	25mm	100
SB 50 *	50mm	25



### SPRING CLIP SADDLE

SCS 20 *	20mm	100
----------	------	-----



### CLIP FIXINGS FOR OVAL CONDUIT

GOC 11 WHI	ROG 1	100
GOC 12 WHI	ROG 2	100
GOC 13 WHI	ROG 3	100
GOC 15 WHI	ROG 5	100



Ref. No.	For Cable Diam.(mm)	Thread Size	Std Pack
----------	---------------------	-------------	----------

### NYLON CABLE GLANDS





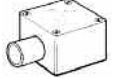
GCG 16 WHI	4-7	16mm	100
GCG 21 *	4-7	20mm	100
GCG 22 *	7-10.5	20mm	100
GCG 23 *	8-13	20mm	100



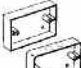



\* Add suffix WHI for White, BLK for Black




e.g. to order a pack of white 20mm Terminal Spouts, ask for Ref. No. B 24 WHI.

## CONDUIT BOXES

Ref. No.	Size	Std Pack	
<b>CIRCULAR BOX LIDS</b>			
GS 175 *	66mm	100	
<b>DRY LINING BOXES</b>			
37MM EXT. DEPTH			
GDL 1 WHI	Single	25	
GDL 2 WHI	Twin	10	
<b>FLUSH SWITCH / SOCKET BOXES</b>			
32MM EXT. DEPTH, 8X20MM ROUND KNOCKOUTS			
GSU 811ML	Single	25	
GSU 821ML	Twin	10	
<b>ADAPTABLE PVC BOXES</b>			
PLAIN SIDES			
AGB2 *	75 x 75 x 50	5	
<b>EARTH ELECTRODE BOX</b>			
GEB1 BLK	75 x 75 x 70	5	

Ref. No.	Corners	Std Pack	
<b>SINGLE SURFACE SWITCH/SOCKET BOXES</b>			
32MM EXT. DEPTH, 2X20MM ROUND KNOCKOUTS			
GSU 1311	Square	25	
GSU 1312	Round	25	
<b>DOUBLE SURFACE SWITCH/SOCKET BOXES</b>			
32MM EXT. DEPTH, 3X20MM ROUND KNOCKOUTS			
GSU 1321	Square	10	
GSU 1322	Round	10	

## CONDUIT SUNDRIES

Ref. No.	Size	Std Pack	
<b>BENDING SPRINGS</b>			
GREEN HEAVY GAUGE			
GSS 20	For RG 20	Each	
GSS 25	For RG 25	Each	
<b>NYLON DRAW TAPES</b>			
GD 30	30m	Each	
<b>DRY LINING FIXING</b>			
TP 12	35mm	100	

\* Add suffix WHI for White, BLK for Black e.g. to order a pack of white 20mm Terminal Spouts, ask for Ref. No. B 24 WHI.

### TECHNICAL INFORMATION

Gilflex conduits and fittings are manufactured in accordance with the relevant British Standards.

#### BS 6099 Conduits for Electrical Installations

Part 1 Specification of general requirements

#### BS 4607 Non-metallic Conduit Fittings for Electrical Installations

Part 1 Specification for fittings and components of insulating material

The criteria for conduit is the diameter, all conduit manufactured to the BS is measured on its outside diameter (also described as O/D or Ø). This ensures compatibility between all conduits and fittings.

PVCu conduit can be bent as required; for smaller sized conduits up to 25mm a bending spring is the simplest method, for larger sizes a bending machine with formers is ideal. In cold weather a gentle warming of the conduit assists the bending process. Excessive heating must be avoided – the conduit will deform. Spring pulled bends should be formed over the largest possible radius. Do not attempt to pull a tight bend in one action.

When conduit is inserted into box termination spouts, adaptors etc., no additional fixing is required.

The range of Gilflex **KlickFit** fittings improves the ease of installation and the finished appearance. There are no screws to lose or corrode. The range comprises of **Spacer Saddles, Inspection Bends, Inspection Elbows and Inspection Tees** for 20mm conduit sizes. A similar range exists for 25mm conduit with the exception of an Inspection Elbow.

A major advantage of the Spacer Saddles (**GSB20 and GSB25**) is the ability to close gang conduits. Because the saddle base is only slightly bigger than the diameter of the conduit, unlike conventional spacer bar saddles, which require more than twice the space occupied by the conduit, two conduits can be installed as parallel runs with minimum space between them. It is also possible for the spacer saddles to be mounted in a straight line. To reduce the distance between conduits using conventional saddles, the saddles have to be offset or staggered.

**Conduit Reducers** (GR1M and GR2M) must be used in conjunction with a coupler (GSC), an adaptor (GFA-GMA) or a spout of a conduit box (B24-66).

### AGB ADAPTABLE BOXES

The AGB 2 (75 x 75 x 50mm) provides the means of producing multiple configurations of boxes for 32mm, 38mm and 50mm systems. The simple expedient of using a GFA (female adaptor) of the appropriate size in any of the four walls or base will provide termination, angle, tee, through and intersection variants and, if required, conduit size reduction without the need for reducers.



Gilflex Mini-Trunking 'GT Range' is available in standard white finish and red, suitable for fire alarm or security cabling recognition.

The range has been specifically designed with the domestic and commercial installation in mind

- Available in a wide range of sizes
- Wide range of accompanying fittings
- Moulded corners and couplers clip over the trunking, eliminating the need for precision cutting, reducing installation time
- Range of smaller trunking sizes and a wide range of self adhesive sizes are also available

## MINI-TRUNKING

Ref. No.	Size	Standard Pack
<b>HOMELINE MINI-TRUNKING</b>		
HL 1809 WHI	18 x 9mm	60m (20x3m)
<b>SELF-ADHESIVE HOMELINE MINI-TRUNKING</b>		
HLS 1809 WHI	18 x 9mm	60m (20x3m)
<b>GT RANGE TRUNKING</b>		
GT 1 WHI	16 x 16mm	90m (30x3m)
GT 2 WHI	25 x 16mm	90m (30x3m)
GT2 RED	25 x 16mm	90m (30x3m)
GT 3 WHI	40 x 16mm	60m (20x3m)
GT 4 WHI	40 x 25mm	45m (15x3m)
GT 5 WHI	40 x 40mm	45m (15x3m)
GT 6 WHI	50 x 25mm	30m (10x3m)
GT 8 WHI	50 x 50mm	12m (4x3m)
<b>SELF-ADHESIVE GT RANGE TRUNKING</b>		
GTS 0 WHI	11 x 8mm	60m (20x3m)
GTS 1 WHI	16 x 16mm	60m (20x3m)
GTS 2 WHI	25 x 16mm	60m (20x3m)
GTS 3 WHI	40 x 16mm	60m (20x3m)
GTS 4 WHI	40 x 25mm	30m (10x3m)
<b>DIVIDED GT RANGE TRUNKING</b>		
GT 32 WHI	40 x 16mm	30m (10x3m)
GT 42 WHI	40 x 25mm	30m (10x3m)



### CABLE CAPACITIES

To conform to the requirements of IEE Regulations, power cables must not occupy more than 45% of the area available within a trunking section.

Order Ref. No.	Trunking Size mm	45% Space factor mm <sup>2</sup>
GT1	16 x 16	67
GT2	25 x 16	120
GT3	40 x 16	209
GT4	40 x 25	360
GT5	40 x 40	585
GT6	50 x 25	422
GT8	50 x 50	898
HL1809	18 x 9	55


Type of Conductor	Conductor cross sectional area mm <sup>2</sup>	Factor
<b>Solid</b>	1.5	8.0
	2.5	11.9
<b>Stranded</b>	1.5	8.6
	2.5	12.6
	4.0	16.6
	6.0	21.2
	10.0	35.3

For single-core PVC insulated cables in trunking.














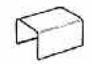


For each cable to be used, obtain the cable factors from the table. Add all factors together and compare to the capacities given.










Any trunking with a space factor equal or larger than that of the cable factors will satisfactorily accommodate the cables.

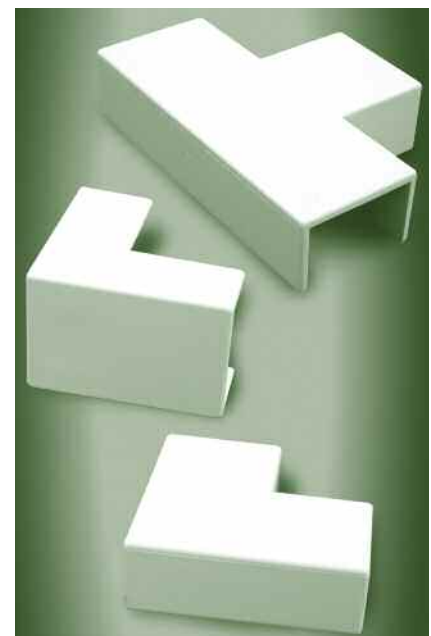
## FITTINGS FOR 18x9mm HOMELINE SYSTEM

Ref. No.	Standard Pack	
<b>END CAP</b>		
HL 1807 WHI	10	

## FITTINGS FOR GT RANGE

Ref. No.	Size	Std Pack	
<b>INTERNAL ELBOWS</b>			
IA 1 WHI	16 x 16mm	20	
IA 2 WHI	25 x 16mm	20	
IA 3 WHI	40 x 16mm	10	
IA 4 WHI	40 x 25mm	10	
IA 5 WHI	40 x 40mm	10	
IA 6 WHI	50 x 25mm	10	
IA 8 WHI	50 x 50mm	5	
IA 22 WHI	25 x 25mm	20	
<b>EXTERNAL ELBOWS</b>			
EA 1 WHI	16 x 16mm	20	
EA 2 WHI	25 x 16mm	20	
EA 3 WHI	40 x 16mm	10	
EA 4 WHI	40 x 25mm	10	
EA 5 WHI	40 x 40mm	10	
EA 6 WHI	50 x 25mm	10	
EA 8 WHI	50 x 50mm	10	
<b>FLAT ELBOWS</b>			
FA 1 WHI	16 x 16mm	20	
FA 2 WHI	25 x 16mm	20	
FA 3 WHI	40 x 16mm	10	
FA 4 WHI	40 x 25mm	10	
FA 5 WHI	40 x 40mm	10	
FA 6 WHI	50 x 25mm	10	
FA 8 WHI	50 x 50mm	5	
<b>FLAT TEES</b>			
T 1 WHI	16 x 16mm	10	
T 2 WHI	25 x 16mm	10	
T 3 WHI	40 x 16mm	10	
T 4 WHI	40 x 25mm	10	
T 5 WHI	40 x 40mm	10	
T 6 WHI	50 x 25mm	10	
T 8 WHI	50 x 50mm	5	
<b>EXTERNAL COUPLERS</b>			
C 1 WHI	16 x 16mm	20	
C 2 WHI	25 x 16mm	20	
C 8 WHI	50 x 50mm	10	
<b>INTERNAL COUPLERS</b>			
C 3 WHI	40 x 16mm	10	
C 4 WHI	40 x 25mm	10	
C 5 WHI	40 x 40mm	10	
C 6 WHI	50 x 25mm	10	

Ref. No.	Size	Std Pack	
<b>EXTERNAL END CAPS</b>			
SE 8 WHI	50 x 50mm	10	
<b>INTERNAL END CAPS</b>			
SE 1 WHI	16 x 16mm	20	
SE 2 WHI	25 x 16mm	20	
SE 2 RED	25 x 16mm	20	
SE 3 WHI	40 x 16mm	20	
SE 4 WHI	40 x 25mm	20	
SE 5 WHI	40 x 40mm	20	
<b>CEILING TEES</b>			
CT 11 WHI	16 x 16mm	10	
CT 21 WHI	25 x 16mm	10	
<b>REDUCING TEES</b>			
RT 21 WHI	25 x 16mm to 16 x 16mm	10	
RT 32 WHI	40 x 25mm to 25 x 16mm	10	
<b>CIRCULAR BOX</b>			
CB 123 WHI	16 x 16mm 25 x 16mm 40 x 16mm	10	
<b>TANGENT ADAPTOR</b>			
TA 1 WHI	16 x 16mm	10	
TA 2 WHI	25 x 16mm	10	
TA 3 WHI	40 x 16mm	10	
<b>BOX ENTRY ADAPTOR</b>			
BE 11 WHI	GT 1	20	
BE 21 WHI	GT 2	20	
BE 31 WHI	GT 3	25	



## SURFACE BOXES FOR GT RANGE - SQUARE CORNERS

Ref. No.	Internal Depth	Fixing Centre	Pack	
<b>SINGLE BOX - ONE ENTRY</b>				
GTO 1251 WHI	25mm	60.3mm	25	
<b>SINGLE BOX - TWO ENTRIES</b>				
GTO 1254 WHI	25mm	60.3mm	25	
<b>SINGLE BOX - THREE ENTRIES</b>				
GTO 1321 WHI	32mm	60.3mm	10	
<b>TWIN BOX - THREE ENTRIES</b>				
GTO 1255 WHI	25mm	120.6mm	10	
<b>TWIN BOX - THREE ENTRIES</b>				
GTO 1257 WHI	25mm	120.6mm	10	
<b>TWIN BOX - ONE ENTRY</b>				
GTO 1322 WHI	32mm	120.6mm	10	
<b>TWIN BOX - THREE ENTRIES</b>				
GTO 1411 WHI	41mm	120.6mm	10	

## SURFACE BOXES FOR GT RANGE - RADIUS CORNERS

Ref. No.	Internal Depth	Fixing Centre	Pack	
<b>SINGLE BOX - ONE ENTRY</b>				
GTO 2252 WHI	25mm	60.3mm	25	
<b>SINGLE BOX - ONE ENTRY</b>				
GTO 2253 WHI	25mm	60.3mm	25	
<b>SINGLE BOX - ONE ENTRY</b>				
GTO 2323 WHI	32mm	60.3mm	25	
<b>TWIN BOX - THREE ENTRIES</b>				
GTO 2256 WHI	25mm	120.6mm	10	
<b>TWIN BOX - THREE ENTRIES</b>				
GTO 2324 WHI	32mm	120.6mm	10	

### GTO BOX ENTRY POSITIONS

	<b>Box Ref.</b>	<b>Entry Ref.</b>
	GTO1251	1
	GTO2252	1
	GTO2553	4
	GTO1254	2-4
	GTO1321	2-3-5
	GTO2323	4
	GTO1255	1-2-3
	GTO2256	1-2-3
	GTO1257	1-4-5
	GTO1322	1
	GTO2324	1-2-3
	GTO1411	1-2-3

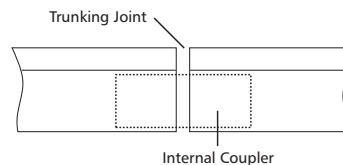
All entries accept box entry adaptors BE11, BE21 and BE31

### MINI-TRUNKING INSTALLATION PLANNING

GT1-6 inc. GT8 are available with a full range of moulded fittings. To maintain insulated integrity when using moulded fittings, the trunking base should be mitred at the corners. If cabling is to be double insulated, square cut or butt corners can be made, the moulded fitting will mask the butt joint.

External clip-over couplers are available for GT1, GT2 and GT8. All other mini-trunking uses internal couplers, where internal couplers are used the trunking cover should overrun the joint between two body sections.

Eg:



Side view showing trunking base and lid with butt joint. Dotted lines indicate position of coupler.

The trunking base should be cut to the required length and fixed to the wall, ceiling etc. After fitting the base, the cabling can be installed using the moulded fittings to retain the cables in the base. The trunking cover should be cut to suit.

Fit the cover adjacent to one fitting and slide under the fitting to the location tab. Press home the cover along the base, guiding the free end under the next fitting, and press home the cover to complete the installation.

Gilflex Commercial Trunking is made from high-impact PVCu and is designed to cope with the rigours of the factory and office.

- A complete range of sizes and fittings is available as well as divided sections to provide service segregation
- Accessory plates enable standard sockets to be fitted into TC5

Ref. No.	Size	Standard Pack	Colour
<b>COMMERCIAL &amp; INDUSTRIAL TRUNKING</b>			
TC1 WHI	75 x 38mm	12m (4x3m)	White
TC3 WHI	75 x 75mm	12m (4x3m)	White
TC4 WHI†	100 x 100mm	6m (2x3m)	White
TC5 WHI	100 x 50mm	12m (4x3m)	White
TC11 WHI	75 x 50mm	12m (4x3m)	White
TC50 WHI	50 x 50mm	12m (4x3m)	White

† TC4 (100 x 100mm) should only be used as a feeder trunking. Accessories MUST NOT BE USED with this trunking.



### DADO TRUNKING

TC 5 100 x 50mm trunking can be utilised to produce a simple Dado Trunking. Used in conjunction with self-adhesive PVCu Angles, Plain Interior Fittings and Shrouded Mounting Boxes (see page 13), a complete system may be achieved.

### CABLE CAPACITIES

To conform to the requirements of IEE Regulations, power cables must not occupy more than 45% of the area available within a trunking section.

Order Ref. No.	Trunking Size mm	45% Space factor mm <sup>2</sup>	
TC1	75 x 38	1097	
TC3	75 x 75	2256	
TC4	100 x 100	4113	
TC5	100 x 50	1930	
TC11	75 x 50	1375	
TC50	50 x 50	917	

Type of Conductor	Conductor cross sectional area mm <sup>2</sup>	Factor
<b>Solid</b>	1.5	8
	2.5	11.9
<b>Stranded</b>	1.5	8.6
	2.5	12.6
	4.0	16.6
	6.0	21.2
	10.0	35.3

For single-core PVC insulated cables in trunking.

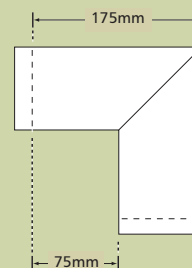
For each cable to be used, obtain the cable factors from the table. Add all factors together and compare to the capacities given.

Any trunking with a space factor equal or larger than that of the cable factors will satisfactorily accommodate the cables.

### COMMERCIAL AND INDUSTRIAL TRUNKING INSTALLATION PLANNING

1. Allow for one coupler (IC) for every 3m length.
2. Allow for two couplers (IC) for every elbow and bend (EEI, EEO and FE)
3. Allow for three couplers (IC) for every tee (ETI, ETO and FT).
4. The nominal inside leg dimensions of all fittings is 75mm. Allowance for fittings should be trunking width plus 75mm (e.g. TC5 – 100 x 50mm plus FE5 Flat Elbow 100 + 75mm = 175mm).

Eg: FE5



Plan view of flat elbow showing lid and base mitre. Dotted lines indicate end of base section with overlapping lid

5. Lid sections supplied with fittings are mitre guides. Full-length lid should be mitred to suit fitting and over-run joint between trunking and fitting.
6. Fittings for use with divided trunking are plain interior type (e.g. FE5) and must be divided when installed. For divider, use GA2545 for 50mm deep trunking and GA3838 for 38mm deep trunking.
7. Internal Couplers (IC) should be solvent welded to the trunking body. If expansion or contraction of the trunking is possible, the coupler should only be welded to one trunking body and be allowed to slide in the adjacent section as a fishplate.
8. When solvent welding couplers etc., the area to be welded should be cleaned of all impurities to ensure complete welding. Use a liquid cleaner or alternatively clean mating surfaces with fine emery paper or a smooth file.
9. After installation, clean the trunking with a detergent-based cleaner.

## PLAIN INTERIOR FITTINGS

Ref. No. Size mm Trunking Pack Ref.

### EDGE ELBOW INSIDE COVER

EEI 1 WHI	75 x 38	TC1	5
EEI 3 WHI	75 x 75	TC3	5
EEI 4 WHI	100 x 100	TC4	2
EEI 5 WHI	100 x 50	TC5	5
EEI 11 WHI	75 x 50	TC11	5
EEI 50 WHI	50 x 50	TC50	5



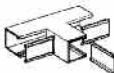
### EDGE ELBOW OUTSIDE COVER

EEO 1 WHI	75 x 38	TC1	5
EEO 3 WHI	75 x 75	TC3	5
EEO 4 WHI	100 x 100	TC4	2
EEO 5 WHI	100 x 50	TC5	5
EEO 11 WHI	75 x 50	TC11	5
EEO 50 WHI	50 x 50	TC50	5



### EDGE TEE INSIDE COVER

ETI 1 WHI	75 x 38	TC1	2
ETI 3 WHI	75 x 75	TC3	2
ETI 4 WHI	100 x 100	TC4	2
ETI 5 WHI	100 x 50	TC5	2
ETI 11 WHI	75 x 50	TC11	2
ETI 50 WHI	50 x 50	TC50	2



### EDGE TEE OUTSIDE COVER

ETO 1 WHI	75 x 38	TC1	2
ETO 3 WHI	75 x 75	TC3	2
ETO 4 WHI	100 x 100	TC4	2
ETO 5 WHI	100 x 50	TC5	2
ETO 11 WHI	75 x 50	TC11	2
ETO 50 WHI	50 x 50	TC50	2



Ref. No. Size mm Trunking Pack Ref.

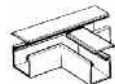
### FLAT ELBOW

FE 1 WHI	75 x 38	TC1	2
FE 3 WHI	75 x 75	TC3	2
FE 4 WHI	100 x 100	TC4	2
FE 5 WHI	100 x 50	TC5	2
FE 11 WHI	75 x 50	TC11	2
FE 50 WHI	50 x 50	TC50	2



### FLAT TEE

FT 1 WHI	75 x 38	TC1	2
FT 3 WHI	75 x 75	TC3	2
FT 4 WHI	100 x 100	TC4	2
FT 5 WHI	100 x 50	TC5	2
FT 11 WHI	75 x 50	TC11	2
FT 50 WHI	50 x 50	TC50	2



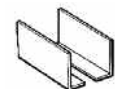
### END CAPS

EC 1 WHI	75 x 38	TC1	10
EC 3 WHI	75 x 75	TC3	10
EC 4 WHI	100 x 100	TC4	10
EC 5 WHI	100 x 50	TC5	10
EC 11 WHI	75 x 50	TC11	10
EC 50 WHI	50 x 50	TC50	10



### INTERNAL CONNECTOR

IC 1 WHI	75 x 38	TC1	10
IC 3 WHI	75 x 75	TC3	10
IC 4 WHI	100 x 100	TC4	10
IC 5 WHI	100 x 50	TC5	10
IC 11 WHI	75 x 50	TC11	10
IC 50 WHI	50 x 50	TC50	10



## DIVIDED INTERIOR INDUSTRIAL TRUNKING

A range of self-adhesive dividing angles allows for on-site installation of dividers. Using self-adhesive angles allows for greater versatility of divisions to be produced, better suited to actual requirements.

## PLAIN INTERIOR ACCESSORIES

Ref. No. Size Pack

### PVC DIVIDING ANGLES

GASA 2545 WHI*	25 x 45mm	12m
GASA 3838 WHI†	34 x 34mm	12m
GA 2525 WHI	25 x 25mm	12m
GA 2545 WHI	25 x 45mm	12m
GA 3838 WHI	34 x 34mm	12m



Ref. No. Size Use with Pack

### SINGLE SHROUD BOX

TOB21 WHI	60.3mm	(TC5) (TC10)	25
-----------	--------	-----------------	----

25mm deep



### TWIN SHROUD BOX

TOB22 WHI	120.6mm	(TC5) (TC10)	10
-----------	---------	-----------------	----

25mm deep



\* GASA 2545 is a 25 x 45mm angle, for use in TC5 (100 x 50mm) trunking. The adhesive is on the 25mm face. Three GASA angles will produce four compartment trunking.

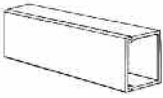
† GASA 3838 is a 34 x 34mm angle, for use in TC1 (75 x 38mm) trunking. Two GASA angles will produce three compartment trunking.

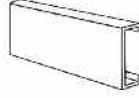


## PIPE COVERS & ENCLOSURES


Provides an ideal solution to enclose all types of surface – run pipes, producing a quick, clean and neat installation.

- Manufactured from rigid PCVU – with a smooth white finish.
- Robust and durable system to enclose pipes.
- ‘GT’ mini trunking accessory range fully complements both these systems to provide a truly versatile range.


Ref. No.	Size	To Suit	Pack
<b>ENCLOSURE SYSTEM</b>			
			
GE 4025 WHI	40 x 25mm	2 x 8/10mm	50m (20x2.5m)
GE 5032 WHI	50 x 32mm	2 x 15mm	25m (10x2.5m)
GE 7538 WHI	75 x 38mm	2 x 22mm	10m (4x2.5m)

Ref. No.	Size	To Suit	Pack
<b>COVER SYSTEM</b>			
			
GPC 8 WHI	44 x 22mm	2 x 8/10mm	50m (20x2.5m)
GPC 9 WHI	54 x 22mm	2 x 15mm	50m (20x2.5m)
GPC 10 WHI	68 x 35mm	2 x 22mm	25m (10x2.5m)

Ref. No.	Size mm	To Suit	Pack
<b>ENCLOSURE PIPE CLIPS</b>			
PC 10 WHI	2 x 8/10	GE4025	50
PC 15 WHI	2 x 15	GE5032	50
PC 22E WHI	2 x 22	GE7538	50



Ref. No.	Size mm	To Suit	Pack
<b>COVER PIPE CLIPS</b>			
PC 8E WHI	2 x 8mm	GPC8	50
PC 10E WHI	2 x 10mm	GPC8	50
PC 15E WHI	2 x 15mm	GPC9	50
PC 22E WHI	2 x 22mm	GPC10	50



Pipe clips are not interchangeable between systems.  
Please ensure that the correct clips are specified.

## TECHNICAL INFORMATION

The Pipe Cover System requires four clips for every 2.5m length of cover, one at 300mm from each end and then at 950mm pitches. Directional changes for the cover system require the corner to be mitred. For the Enclosure System, a full range of fittings is available: internal corners, external corners, flat elbows, end caps etc. can be used from our range of trunking accessories. For assistance, please contact our Basildon Sales Office.

PVCu is used for the production of extrusions and mouldings and is universally accepted as having the most suitable properties for use within the electrical industry.

### Standards and Approvals

All Gilflex PVCu products are manufactured in accordance with the requirements of BS 4678: Part 4 and BS 4662. The PVCu material used has been tested by an approved laboratory in accordance with the requirements of the following British Standards: BS 4607: Part 1, BS 6099-2-2, BS 476: Part 7. Copies of test certificates are available upon request. Gilflex has been awarded ISO 9002 accreditation. Trunking and conduit systems can be installed to comply with all relevant requirements of the latest edition of the (BS7671) IEE Wiring Regulations.

### CE marking

All relevant Gilflex products in this brochure are CE marked, confirmation that they meet the EMC and LV directives.

### Performance (Strength)

Impact resistance	High impact resistance under normal climatic conditions, BS4678: medium duty
Charpy notched impact strength	25 kJ/m <sup>2</sup>
Tensile strength	at yield 34.62 N/mm <sup>2</sup> at break 42.00 N/mm <sup>2</sup>

### Fire performance

The PVCu materials used in the manufacture of Gilflex products are non-flame propagating in accordance with BS 6099 and BS 4678. Extrusion material has been tested by an accredited laboratory in accordance with the requirements of BS 476: part 7 and has achieved a Class 1Y classification. Moulding material has been tested by an accredited laboratory and conforms with IEC 695-2-1 at a severity of 750°C.

### Thermal properties

All Gilflex PVCu products are designed to accommodate local thermal expansion. Fitting instructions explain the procedure required to deal with the differential movement at the interface with the building fabric.

Coefficient of linear expansion	5.5 x 10 <sup>-5</sup> per °C (5mm/3000mm with a temperature rise of 25°C)
Operating temperatures	-5° to 60°C
Vicat softening point	81°C
Thermal conductivity	0.19W/m/k

Chemical	Concentration	Unplasticised PVC 20°C 60°C					
acetaldehyde	40% aq. solution	▲	■	copper nitrate	▲ ▲		
acetic acid	60% aq. solution	▲	▲	copper sulphate	▲ ▲		
acetic anhydride		■	■	cupric sulphate	▲ ▲		
acetone	Traces	■	■	cyclohexanone	■	■	
alcohol, ethyl	40% w/w water	▲	●	detergent, synthetic	All concentrations	▲ ▲	
alcohol, isopropyl		▲	▲	developers, photographic		▲ ▲	
alcohol, menthyl	6% aq. solution	▲	▲	dextrin		▲ ▲	
	100%	▲	●	dextrose		▲ ▲	
aliphatic hydrocarbons		▲	▲	dialzo salts		▲ ▲	
aluminium chloride		▲	▲	dichlorodifluoromethane		▲ ▲	
aluminium hydroxide		▲	▲	diethyl ether		■	■
ammonia	0.885G., aq. solution	▲	▲	emulsifiers	All concentrations	▲ ▲	
	Anhydrous gas	■	■	emulsions, photographic		▲ ▲	
	Anhydrous liquid	■	■	ethyl acetate		■	■
ammonium chloride		▲	▲	ethylene glycol		▲	▲
ammonium hydroxide		▲	▲	ethylene oxide		■	■
aniline		■	■	fatty acids		▲	▲
animal oils		▲	▲	ferric chloride		▲	▲
aqua regia	Dilute	▲	▲	ferric nitrate		▲	▲
	Concentrated	▲	■	ferric sulphate		▲	▲
barium sulphate		▲	▲	ferrous ammonium citrate		▲	▲
beer		▲	▲	ferrous chloride		▲	▲
benzine		■	■	ferrous sulphate		▲	▲
benzoyl chloride		■	■	fixing solution, photographic		▲	▲
borax		▲	▲	fluorine		●	●
boric acid		▲	▲	formaldehyde	40% w/w water	▲	▲
brine		▲	▲	formic acid	50% solution	▲	▲
bromide	Traces, gas	●	■		100% solution	▲	■
	100% (dry gas)	■	■	fructose		▲	▲
	Liquid	■	■	fruit pulp		▲	▲
calcium chloride	aq. solution	▲	▲	glucose		▲	▲
	20% in methyl alcohol	▲	▲	glycerol		▲	▲
calcium hydroxide		▲	▲	grape sugar		▲	▲
calcium hypochlorite		▲	▲	heptane		▲	▲
carbon dioxide		▲	▲	hydrobromic acid	100%	▲	▲
carbonic acid		▲	▲	hydrochloric acid	22% aq. solution	▲	▲
carbon monoxide		▲	▲		Concentrated	▲	▲
carbon tetrachloride		●	■	hydrochloric acid	40% aq. solution	▲	●
castor oil		▲	▲		60% aq. solution	▲	■
chloric acid		▲	▲	hydrogen bromide	Anhydrous	▲	▲
chlorine	100% (dry gas)	▲	●	hydrogen chloride	Anhydrous	▲	▲
	10% (moist gas)	●	●	hydrogen fluoride	Anhydrous	▲	▲
chlorine water	Sat. solution	●	●	hydrogen peroxide	3% (10vol)	▲	▲
chloroform		■	■		12% (40vol)	▲	▲
chrome alum		▲	▲		30% (100vol)	▲	▲
chromic acid	Plating solution	▲	▲		90% and above	▲	▲
cider		▲	▲	hydrogen sulphide		▲	▲
citric acid		▲	▲	iodine	Solution in	▲	▲
copper chloride		▲	▲		potassium iodine	■	■
copper cyanide		▲	▲	lactic acid	10% aq. solution	▲	▲
					100%	●	●

### Electrical

PVCu is non-conductive.

Dielectric strength	40 kV/mm in DBP
	17 kV/mm in tx oil
Resistivity	1014 Ω cm <sup>2</sup>

### Biological

Resistant to vermin and termites.

### Workability

All Gilflex PVCu products are lightweight and can be readily cut and drilled with hand tools. Short component lengths can be readily incorporated, reducing wastage of material. All covers and accessories are manufactured to fine tolerances to ensure a tight fit with ease of removal. Stop ends are secured to the carriers. For details, see the relevant installation guide.

### Durability

All Gilflex PVCu products are stable and will maintain its performance characteristics in accordance with the terms and conditions described above.

### Maintenance

Clip-on covers with optional screw fix and interchangeable accessories provide continuous accessibility for rewiring, extensions and modifications to an installation. Covers and accessories can be cleaned with a damp cloth and household detergent. The surface can be decorated with commercial paints if required.

### Mechanical performance

Impact resistance under normal climatic conditions, BS 4678: medium duty.

### Chemical resistance (See Below)

PVCu is non-corrosive and not affected by sea water. It has excellent resistance to mineral acids, alkalis and detergents, good resistance to alcohols, but liable to attack from solvents such as keytones, aromatics and hydrocarbons.

▲ Satisfactory	● Some attack or absorption: the material may be considered for use when alternative materials are unsatisfactory and where limited life is acceptable. When PVC is to be used with such chemicals full scale trials under realistic conditions are necessary.	■ Unsatisfactory: so rated because of decomposition, solution, swelling, loss of ductility etc, of the samples tested.	
lanoline		▲ ▲	
linoleic acid		▲ ▲	
linseed oil		▲ ▲	
magnesium hydroxide		▲ ▲	
maleic acid	50% aq. solution	▲	
	Concentrated	▲ ●	
metallic soaps	(water soluble)	▲ ▲	
methyl bromide		■	■
methyl chloride		■	■
methyl cyclohexanone		■	■
methyl ethyl ketone		■	■
methyl isobutyl ketone		■	■
methylated spirit		■	■
methylene chloride		■	■
milk		▲	▲
mineral oil		▲	▲
mixed acids	(sulphuric/nitric		
	Various proportions)	●	■
molasses		▲	▲
naphtha		▲	▲
naphthalene		■	■
nicotine		▲	▲
nitric acid	5% aq. solution	▲	▲
	50% aq. solution	▲	●
nitrobenzene		■	■
oleic acid		▲	▲
oxalic acid		▲	▲
oxygen		▲	▲
ozone		▲	▲
paraffin		▲	▲
pentane		▲	▲
petrol		▲	▲
phosphoric acid	30% aq. solution	▲	▲
	95% aq. solution	▲	▲
photographic developers		▲	▲
potassium bromide		▲	▲
potassium carbonate		▲	▲
potassium cyanide		▲	▲
potassium ferricyanide		▲	▲
potassium hydroxide	10% aq. solution	▲	▲
	Concentrated	▲	▲
potassium hypochlorite		▲	▲
potassium permanganate		▲	▲
propane		▲	▲
propylene glycol		▲	▲
propylene oxide		■	■
saccharose		▲	▲
sea water		▲	▲
silver nitrate		▲	▲
soap solution		▲	▲
sodium bicarbonate		▲	▲
sodium bisulphate		▲	▲
sodium borate		▲	▲
sodium bromide		▲	▲
sodium carbonate		▲	▲
sodium chlorate		▲	▲
sodium chloride		▲	▲
sodium cyanide		▲	▲
sodium ferricyanide		▲	▲
sodium ferrocyanide		▲	▲
sodium fluoride		▲	▲
sodium hydroxide	40% aq. solution	▲	▲
	Concentrated	▲	▲
sodium hypochlorite 15% Cl		▲	▲
sodium hyposulphate		▲	▲
sodium nitrate		▲	▲
sodium peroxide		▲	▲
sodium silicate		▲	▲
sodium sulphate		▲	▲
sodium sulphide	25% aq. solution	▲	▲
	Concentration	▲	▲
sodium sulphite		▲	▲
soft soap		▲	▲
surface active agents (All concentrations)		▲	▲
(emulsifiers, synthetic detergents and wetting agents)			
starch		▲	▲
stearic acid		▲	▲
sucrose		▲	▲
sulphur	Colloidal	▲	▲
sulphur dioxide	Dry	▲	▲
Liquid		●	■
sulphuric acid	80% aq. solution	▲	▲
	90% aq. solution	▲	▲
Fuming		▲	▲
sulphurous acid	10% aq. solution	▲	▲
tallow		▲	▲
tanning extracts		▲	▲
tartronic acid		▲	▲
transformer oil		▲	▲
trichloroethane		■	■
trichloroethylene		■	■
turpentine		▲	▲
vegetable oils		▲	▲
vinegar		▲	▲
water		▲	▲
wetting agents	All concentrations	▲	▲
wines and spirits		▲	▲
xylylene		■	■
zinc carbonate		▲	▲
zinc chloride		▲	▲
zinc sulphide		▲	▲



---

**Gilflex**

---

Tech Helpline Tel 01268 563720

---

---

**UK** The Arnold Centre Paycocke Road Basildon Essex SS14 3EA United Kingdom

---

Customer Service Tel 01268 563404

Customer Service Fax 01268 563405

---

**Ireland** Unit 55 Park West Industrial Park Nangor Road Dublin 12 Republic of Ireland

---

Customer Service Tel +353 (0)1429 6500

Customer Service Fax +353 (0)1429 6501

---