

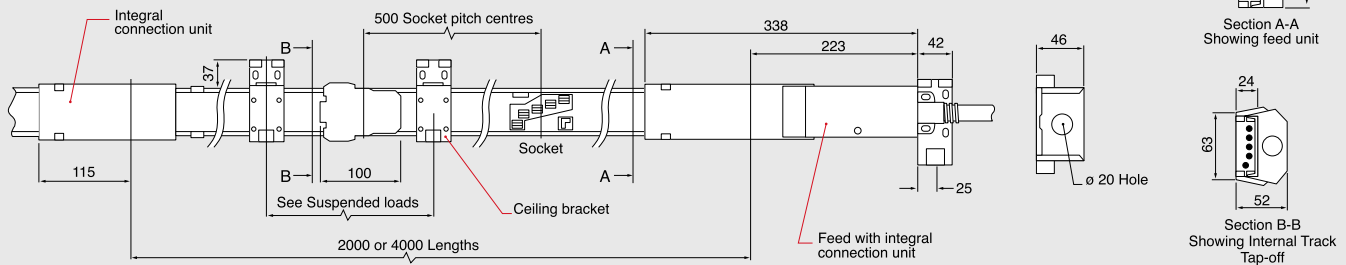


Technical Hotline
+44 (0)1268 563720

Interact Overhead Technical

Interact Overhead Power

Dimensions



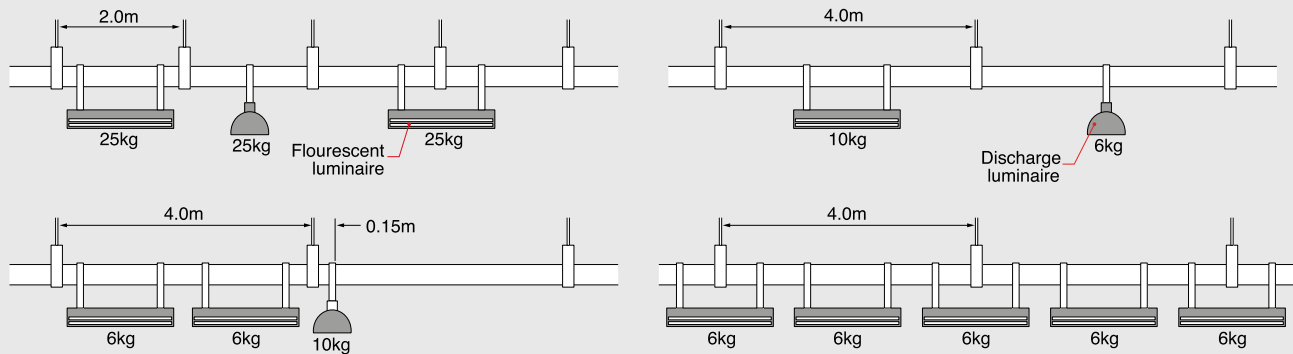
Suspended Loads

The load that can be suspended from the overhead powertrack is dependent on the distance between the supports. Loads should be evenly distributed between hanging brackets. The maximum deflection should not be greater than 1/300.

The spacing between the powertrack ceiling brackets should not exceed 4 metres. The guidelines below should be followed when deciding on the number of ceiling brackets required.

The rods should be of suitable size to carry the combined weight of the track plus the suspended load.

Joints between two lengths of track should be no greater than 500mm from a hanging bracket.



Note: These values are for edge mounted track only. Flat mounted track should not be used for load suspension.

40A POWER TRACK WEIGHT				
LENGTH M	NUMBER OF COPPER CONDUCTORS			
	2+PE	3+PE	4+PE	5+PE (& DUAL GREY)
2	3.1 Kg	3.36 Kg	3.61 Kg	3.87 Kg
4	5.72 Kg	6.22 Kg	6.73 Kg	7.23 Kg

For a full range of corresponding products,
see pages 425-429 in the product selector.

Interact Overhead Technical

Interact Overhead Power

Standards and Approvals

Manufactured within ISO 9000 environment.

TECHNICAL SPECIFICATION		
ELECTRICAL CHARACTERISTICS	OVERHEAD	
Rated Current	40	A
Rated Voltage	480	V
Frequency	50/60	Hz
Conditional Short Circuit Rating	16	kA
Resistance per Copper Conductor (At ambient temperature 20°C)	1.3	mΩ/m
Impedance per Copper Conductor (At ambient temperature 20°C)	1.3	mΩ/m
VOLT DROPS (FULL LOAD, CONCENTRATED AT ONE END)		
Powertrack (Line + Neutral)	2.9	mV/A/m
Feed Unit	0.3	mV/A
Tap-off Connection	1.6	mV/A
+ 2.5mm ² Cable	18	mV/A/m
Joint	0.3	mV/A
Flexible Interlink Unit	0.8	mV/A
+ 6mm ² Cable	7.0	mV/A/m
MECHANICAL DATA		
Max. No. of Copper Conductors	5	
Conductor Cross Section Area Nominal	14.4	mm ²
Powertrack Casing Copper Equivalent (Where Casing is Protective Earth)	12.0	mm ²
Cable Termination Capacity	10	mm ²
Tap-off Cable	2.5	mm ²
Flexible Interlink Cable	6	mm ²
Flexible Interlink Conduit	25	Ømm
Feed Conduit Entry	20	Ømm
IP Rating	2X	

MATERIALS SPECIFICATION	
Powertrack Casing, Feeds and Brackets	Galvanised Steel
Conductors	High Conductivity Copper
Powertrack Insulators	40A Polyamide and Polyester
Sockets/Tap-off Plug/Joint Mouldings	Polycarbonate
Interlink Flexible Conduit	Galvanised Steel
Tap-off Cable	Multi-core Cable to BS 6500 and BS 7211. LSF Cable standard.
TAP-OFF PINS	
- Line, Neutral & Copper Earth	Copper and Phosphorous Bronze, tin plated
- Casing Earth	Brass, tin plated
Flexible Interlink Cable	Tri-Rated to BS 6231