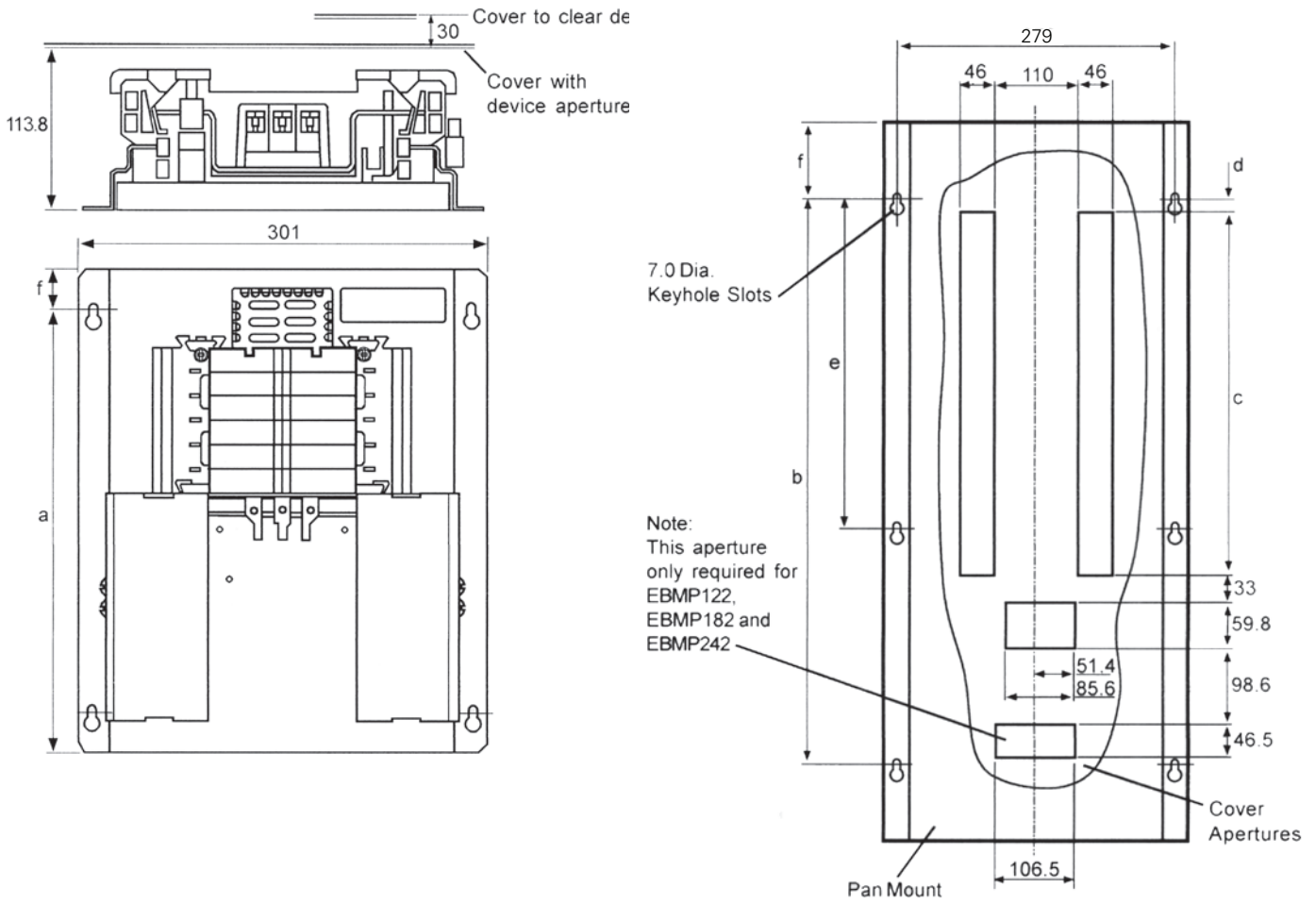


10.1

Technical data

Memshield 3 type B TPN pan assemblies



List No.	Dimensions (mm)						Minimum recommended enclosure size (mm)
	a	b	c	d	e	f	
EBMP41	333.6	303.3	107.5	35.7	–	21	440 (W) x 425 (L)
EBMP61	413.7	383.5	160.6	35.7	–	21	440 (W) x 478 (L)
EBMP81	511.5	481.2	213.7	53.2	–	21	440 (W) x 560 (L)
EBMP121	638.1	589.2	319.9	22.2	–	40	440 (W) x 720 (L)
EBMP122	750	710	319.9	16.7	336.5	40	440 (W) x 861 (L)
EBMP182	910	870	479.2	16.7	435	40	440 (W) x 1016 (L)
EBMP242	1070	1030	638.5	16.7	515	40	440 (W) x 1176 (L)