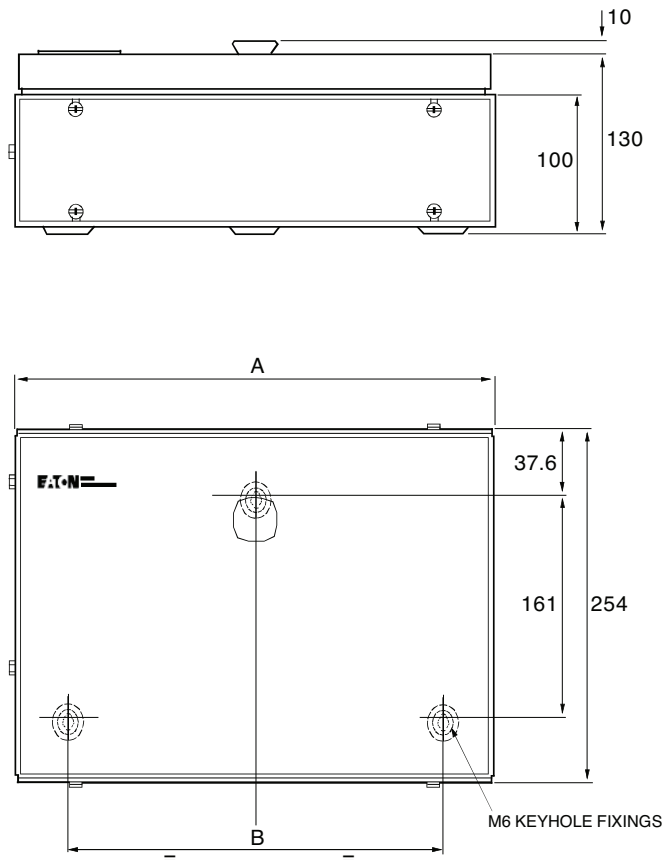
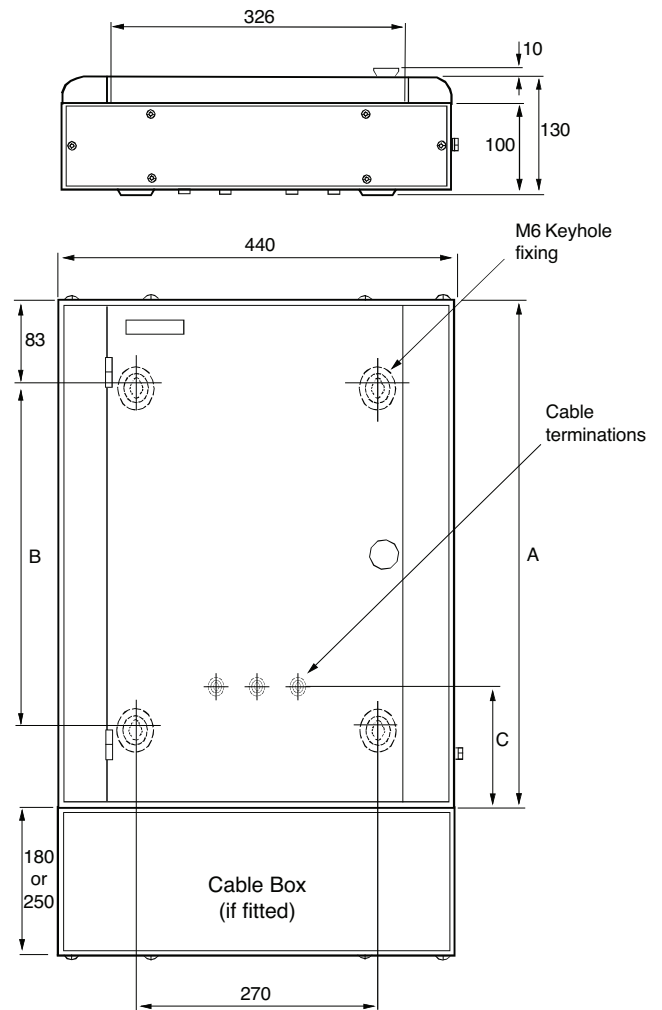


Memshield 3 type A SPN Distribution Board, dimensional drawing



List No.	A (mm)	B (mm)
EAM4, EBMXDC6	238	163
EAMMP65	238	163
EAM7, EBMXDC9	292	217
EAM10	346	271
EAM13, EBMXDC15, EBMXDCG15	440	365
EAM9M/MB	440	365
EAM16, EBMXDC18	454	379
EAM12M/MB	454	379
EAMSL66M/MB	454	379
EAMSL93M/MB	454	379

Memshield 3 type B TPN Distribution Board, dimensional drawing



List No.	A (mm)	B (mm)	C (mm)	250A incomer	Lugs incomer
EBM41	429	245	144	–	150
EBM61	482	298	144	–	150
EBM81, EBMXDC30	564	380	173	–	179
EBM121, EBM121D, EBMXDC45	724	540	227	–	233
EBM161	830	540	227	–	233
EBM122	861	677	334	76	340
EBM182	1021	837	334	76	340
EBM242	1180	996	334	76	340
250A high load boards¹⁾					
EBM22H	817	633	–	237	500
EBM62H	1020	836	–	296	559
EBM82H	1055	871	–	277	540
EBM122H	1180	996	–	296	559
EBM182H	1342	1158	–	298	561
EBM242H	1501	1317	–	298	561

¹⁾ Cable box not required