



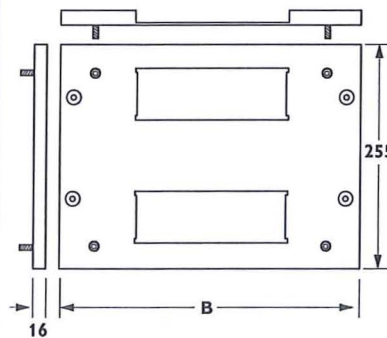
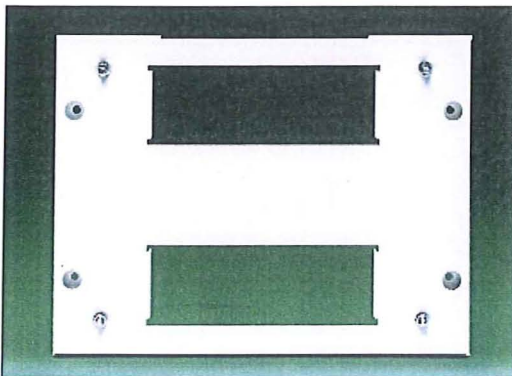
Amendment 3 Consumer Unit Pattresses

Crabtree consumer unit pattresses are designed to help installers to meet the requirements of BS7671 when installing Amendment 3 all metal consumer units, and to simplify the installation of surface mounted cables on solid walls. Amendment 3, regulation 416.2.2 requires the installed unit to achieve an IP rating of IP4X (1mm probe) on the top elevation. Other elevations should be to 12XC (2.5mm probe). These pattresses are suitable for use with mini trunking and this combination can automatically ensure that the IP ratings are achieved.

Two types are available, each is reversible, there is one version for top/bottom entry cables and another that is suitable for left or right hand cable entry.

The pattresses are 16mm deep and have a long slot on one side and large open apertures that line up with the rear entry cable knockouts on the back of the consumer unit. This provides a path for cables from the mini trunking down to the rear entry slots and allows all cables to enter without removing any knockouts on the sides of the unit. This allows the installer to automatically comply with the IP rating requirements.

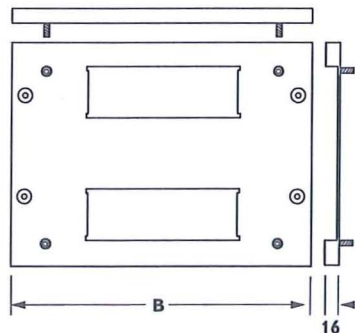
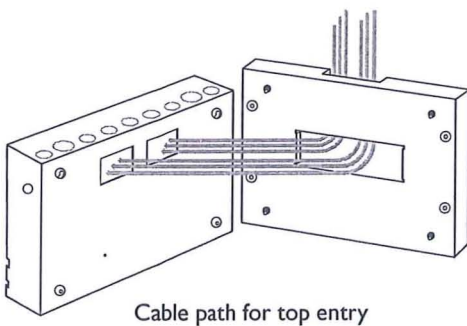
Top/Bottom Cable Entry Pattress



CONSUMER UNIT PATTRASSES

ENCLOSURE WIDTH (D)	PATTRASS DEPTH	TOP/BOTTOM CABLE ENTRY
6 Module	16mm	MNSPE6584/1NR
9 Module	16mm	MNSPE6584/2NR
12 Module	16mm	MNSPE6584/3NR
15 Module	16mm	MNSPE6584/4NR
20 Module	16mm	MNSPE6584/5NR

Left or Right Cable Entry Pattress



CONSUMER UNIT PATTRASSES

ENCLOSURE WIDTH (D)	PATTRASS DEPTH	LEFT OR RIGHT CABLE ENTRY
6 Module	16mm	MNSPE6670/1NR
9 Module	16mm	MNSPE6670/2NR
12 Module	16mm	MNSPE6670/3NR
15 Module	16mm	MNSPE6670/4NR
20 Module	16mm	MNSPE6670/5NR

More information can be found at www.electrium.co.uk where installation and product videos can be viewed.



Electrium

ELECTRIUM SALES LIMITED, Walkmill Lane, Bridgtown, Cannock WS11 0XE
 Telephone: 01543 455000 Facsimile: 01543 455001 www.electrium.co.uk