

# CR1829F

13A UNSWITCHED FCU WITH LED & FLEX OUTLET



Instinct™  
WIRING ACCESSORIES

## CONSTRUCTION

Product Category	Wiring Accessory
Product Group	Power & Control
Product Type	Fused Connection Unit
Shape	Square Plate
Material	Urea Formaldehyde
Finish	Moulded
Mounting Type	Flush/Surface

## POWER

Current	13 Amps
Current Type	AC
Frequency	50Hz
Input Voltage	250V
Switched Poles	Double Pole
Number of Rocker Switches	0
Number of Ways	1
Fuse Rating	13 Amps

## AESTHETICS

Plate Gang / Module Size	1 Gang
Plate Colour	White
Rocker Colour	Not Applicable
Light Reflectance Value (LRV)	74
Printing Text/Type	Not Applicable
Status Indicator	Y
Switched Outlets	N
Part M Compliance	Y
Anti Microbial Properties	Y
Key Features & Benefits	Curved Slimline Plate All Upward Facing Terminals Full Contact Cable Clamp Integrated LED Light Indicator Fitted with ASTA Approved Fused Link

## TERMINAL

L & N Terminal Capacity as per BS Standard	3 x 1.5mm <sup>2</sup> , 3 x 2.5mm <sup>2</sup> , 2 x 4.0mm <sup>2</sup>
Earth Terminal Capacity as per BS Standard	1 x 1.5mm <sup>2</sup> , 1 x 2.5mm <sup>2</sup> (Solid), 1 x 0.5mm <sup>2</sup> , 1 x 1.5mm <sup>2</sup> (Flex)
Number of Earth Terminals	2
Cable Strip Length	14mm
Screwdriver Type Required	Slotted Type
Torque requirement as per BS Standard L&N	1.2Nm
Torque requirement as per BS Standard Earth	0.8Nm

## LOCATION

Max Ambient Operating Temp as per BS Req.	+40°C
Min Ambient Operating Temp as per BS Req.	-5°C
Max Altitude as per BS Requirement	2000m
IP Rating	IP2X

## DIMENSIONAL / FIXING

Height	86mm
Width	86mm
Depth Overall	25mm
Depth Interior only	18mm
Gross Weight	0.106kg
Minimum Back Box Depth	25mm
Suggested Back Box Depth	25mm
Fixing Centres	60.3mm
Minimum Access Top	100cm
Minimum Access Bottom	100cm
Minimum Access Left	100cm
Minimum Access Right	100cm
Minimum Access Front	100cm
Minimum Access Rear	100cm
Flush Mounting Metal Box	SB655 or CR2201/BG (25mm)
Flush Mounting Dry Lining Box	SB619 (35mm)
Surface Mounting Box	9047 (25mm)

## STANDARDS

British Standard/s	BS 1363-4
Other Markings/Standards	CE

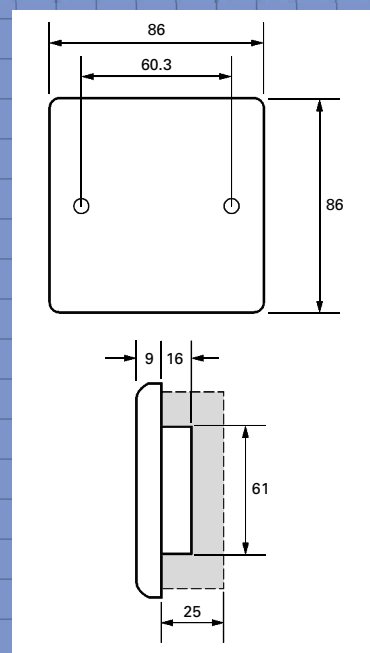
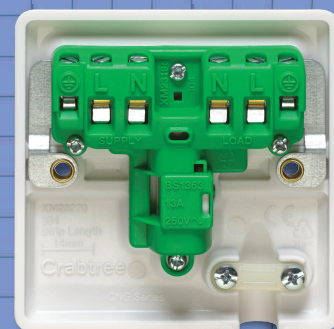
## PACKAGING

Inner Carton Qty	10
Customer MOQ	10

## SUSTAINABILITY

URL to technology list

<https://www.crabtreecommercial.co.uk/>



Electrium Sales Limited  
A Siemens Company  
Tel: +44 (0) 1543 438310  
Fax: +44 (0) 1543 000000  
Email: [crabtree.technical@electrium.co.uk](mailto:crabtree.technical@electrium.co.uk)  
[www.electrium.co.uk](http://www.electrium.co.uk)

Although every effort has been made to ensure accuracy in the compilation of the technical detail within this publication, specifications and performance data are constantly changing. Latest details can be obtained from Crabtree.



Crabtree