

CR1501/CK

50A 2G DP SWITCH WITH LED PRINTED COOKER



Instinct™
WIRING ACCESSORIES

CONSTRUCTION

Product Category	Wiring Accessory
Product Group	Power & Control
Product Type	Plate Switch
Shape	Rectangular Plate
Material	Urea Formaldehyde
Finish	Moulded
Mounting Type	Flush/Surface

POWER

Current	50 Amps
Current Type	AC
Frequency	50Hz
Input Voltage	250V
Switched Poles	Double Pole
Number of Rocker Switches	1
Number of Ways	1
Fuse Rating	Not Applicable

AESTHETICS

Plate Gang / Module Size	2 Gang Vertical
Plate Colour	White
Rocker Colour	White
Light Reflectance Value (LRV)	74
Printing Text/Type	Cooker, Laser Printed
Status Indicator	Y
Switched Outlets	N
Part M Compliance	Y
Anti Microbial Properties	Y
Key Features & Benefits	Curved Slimline Plate Integrated LED Light Indicator Fully Rated to 50A

TERMINAL

L & N Terminal Capacity as per BS Standard	3 x 2.5mm ² , 2 x 4.0mm ² , 1 x 6.0mm ² , 1 x 10.0mm ² , 1 x 16.0mm ²
Earth Terminal Capacity as per BS Standard	3 x 2.5mm ² , 2 x 4.0mm ² , 1 x 6.0mm ² , 1 x 10.0mm ² , 1 x 16.0mm ²
Number of Earth Terminals	2
Cable Strip Length	25mm (L&N), 10mm (E)
Screwdriver Type Required	Slotted Type
Torque requirement as per BS Standard L&N	2.5Nm
Torque requirement as per BS Standard Earth	1.2Nm

LOCATION

Max Ambient Operating Temp as per BS Req.	Occasionally reaching +35°C
Min Ambient Operating Temp as per BS Req.	Not exceeding +25°C
Max Altitude as per BS Requirement	2000m
IP Rating	IP2X

DIMENSIONAL / FIXING

Height	146mm
Width	86mm
Depth Overall (Inc Rocker)	38mm
Depth Interior only	23mm
Gross Weight	0.196kg
Minimum Back Box Depth	35mm
Suggested Back Box Depth	47mm
Fixing Centres	120.6mm
Minimum Access Top	100cm
Minimum Access Bottom	100cm
Minimum Access Left	100cm
Minimum Access Right	100cm
Minimum Access Front	100cm
Minimum Access Rear	100cm
Flush Mounting Metal Box	SB628 (47mm)
Flush Mounting Dry Lining Box	SB631 (47mm)
Surface Mounting Box	9040 (34mm)

STANDARDS

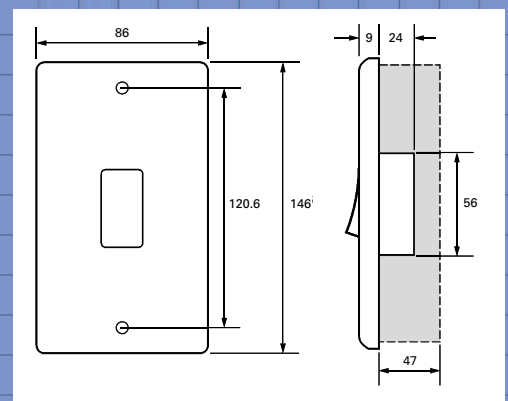
British Standard/s	BS EN 60669-1
Other Markings/Standards	CE

PACKAGING

Inner Carton Qty	5
Customer MOQ	5

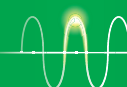
SUSTAINABILITY

URL to technology list <https://www.crabtreecommercial.co.uk/>



Electrium Sales Limited
A Siemens Company
Tel: +44 (0) 1543 438310
Fax: +44 (0) 1543 000000
Email: crabtree.technical@electrium.co.uk
www.electrium.co.uk

Although every effort has been made to ensure accuracy in the compilation of the technical detail within this publication, specifications and performance data are constantly changing. Latest details can be obtained from Crabtree.



Crabtree