

CR1239

QUADPLEXER WITH RJ45 AND BT
SECONDARY



Instinct™
WIRING ACCESSORIES

CONSTRUCTION

Product Category
Product Group
Product Type
Shape
Material
Finish
Mounting Type

Wiring Accessory
Data & Communication
Monoblock Plate
Rectangular Plate
Urea Formaldehyde
Moulded
Flush/Surface

POWER

Current
Current Type
Frequency
Input Voltage
Switched Poles
Number of Rocker Switches
Number of Ways
Fuse Rating

Not Applicable
Not Applicable
Not Applicable
Not Applicable
Not Applicable
0
Not Applicable
Not Applicable

AESTHETICS

Plate Gang / Module Size
Plate Colour
Rocker Colour
Light Reflectance Value (LRV)
Printing Text/Type

2 Gang
White
Not Applicable
74
TV, FM/DAB, SAT1, SAT2 Telephone Symbol &
Data Symbol, Laser Printed
N
N
Y
Y
Curved Slimline Plate
Monoblock Communication Solution
Indelible Laser Marking

Status Indicator

Switched Outlets
Part M Compliance
Anti Microbial Properties
Key Features & Benefits

TERMINAL

L & N Terminal Capacity as per BS Standard
Earth Terminal Capacity as per BS Standard
Number of Earth Terminals
Cable Strip Length
Screwdriver Type Required
Torque requirement as per BS Standard L&N
Torque requirement as per BS Standard Earth

Not Applicable
Not Applicable
0
Not Applicable
Not Applicable
Not Applicable
Not Applicable

LOCATION

Max Ambient Operating Temp as per BS Req.
Min Ambient Operating Temp as per BS Req.
Max Altitude as per BS Requirement
IP Rating

Not Applicable
Not Applicable
2000m
Not Applicable

DIMENSIONAL / FIXING

Height
Width
Depth Overall
Depth Interior only
Gross Weight
Minimum Back Box Depth
Suggested Back Box Depth
Fixing Centres
Minimum Access Top
Minimum Access Bottom
Minimum Access Left
Minimum Access Right
Minimum Access Front
Minimum Access Rear
Flush Mounting Metal Box
Flush Mounting Dry Lining Box
Surface Mounting Box

86mm
146mm
30mm
27mm
0.178kg
35mm
35mm
120.6mm
100cm
100cm
100cm
100cm
100cm
100cm
SB625 (35mm)
SB629 (35mm)
9040 (34mm)

STANDARDS

British Standard/s
Other Markings/Standards

BS 5733, ANSI/SCTE 02:2006, IEC 61169-2:2007,
BS EN 60728-11:2005
CE

PACKAGING

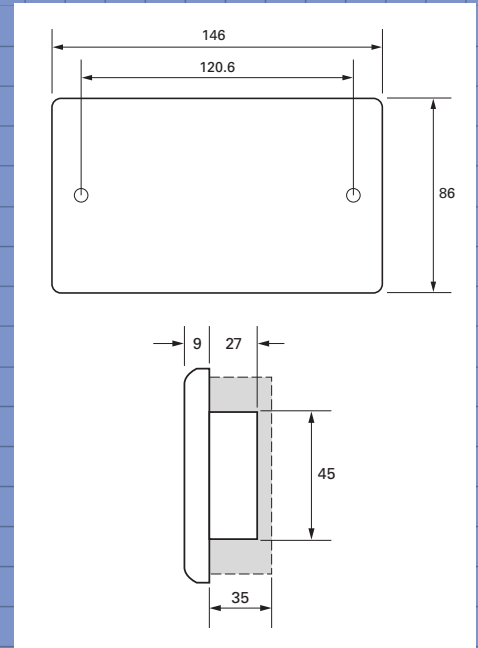
Inner Carton Qty
Customer MOQ

5
5

SUSTAINABILITY

URL to technology list

<https://www.crabtreecommercial.co.uk/>



Electrium Sales Limited
A Siemens Company
Tel: +44 (0) 1543 438310
Fax: +44 (0) 1543 000000
Email: crabtree.technical@electrium.co.uk
www.electrium.co.uk

Although every effort has been made to ensure accuracy in the compilation of the technical detail within this publication, specifications and performance data are constantly changing. Latest details can be obtained from Crabtree.



Crabtree