

CR1238

QUAD TV/FM DAB/SAT X 2 QUADPLEXER
WITH BT SECONDARY



Instinct™
WIRING ACCESSORIES

CONSTRUCTION

Product Category	Wiring Accessory
Product Group	Data & Communication
Product Type	Monoblock Plate
Shape	Rectangular Plate
Material	Urea Formaldehyde
Finish	Moulded
Mounting Type	Flush/Surface

POWER

Current	Not Applicable
Current Type	Not Applicable
Frequency	Not Applicable
Input Voltage	Not Applicable
Switched Poles	Not Applicable
Number of Rocker Switches	0
Number of Ways	Not Applicable
Fuse Rating	Not Applicable

AESTHETICS

Plate Gang / Module Size	2 Gang
Plate Colour	White
Rocker Colour	Not Applicable
Light Reflectance Value (LRV)	74
Printing Text/Type	TV, FM/DAB, SAT1, SAT2 Telephone Symbol, Laser Printed
Status Indicator	N
Switched Outlets	N
Part M Compliance	Y
Anti Microbial Properties	Y
Key Features & Benefits	Curved Slimline Plate Monoblock Communication Solution Indelible Laser Marking

TERMINAL

L & N Terminal Capacity as per BS Standard	Not Applicable
Earth Terminal Capacity as per BS Standard	Not Applicable
Number of Earth Terminals	0
Cable Strip Length	Not Applicable
Screwdriver Type Required	Not Applicable
Torque requirement as per BS Standard L&N	Not Applicable
Torque requirement as per BS Standard Earth	Not Applicable

LOCATION

Max Ambient Operating Temp as per BS Req.	Not Applicable
Min Ambient Operating Temp as per BS Req.	Not Applicable
Max Altitude as per BS Requirement	2000m
IP Rating	Not Applicable

DIMENSIONAL / FIXING

Height	86mm
Width	146mm
Depth Overall	39mm
Depth Interior only	27mm
Gross Weight	0.166kg
Minimum Back Box Depth	35mm
Suggested Back Box Depth	35mm
Fixing Centres	120.6mm
Minimum Access Top	100cm
Minimum Access Bottom	100cm
Minimum Access Left	100cm
Minimum Access Right	100cm
Minimum Access Front	100cm
Minimum Access Rear	100cm
Flush Mounting Metal Box	SB625 (35mm)
Flush Mounting Dry Lining Box	SB629 (35mm)
Surface Mounting Box	9040 (34mm)

STANDARDS

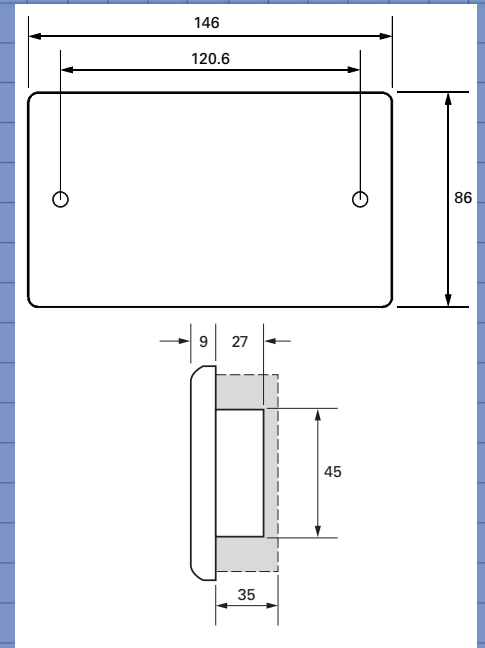
British Standard/s	BS 5733, ANSI/SCTE 02:2006, IEC 61169-2:2007, BS EN 60728-11:2005
Other Markings/Standards	CE

PACKAGING

Inner Carton Qty	5
Customer MOQ	5

SUSTAINABILITY

URL to technology list	https://www.crabtreecommercial.co.uk/
------------------------	---



Electrium Sales Limited
A Siemens Company
Tel: +44 (0) 1543 438310
Fax: +44 (0) 1543 000000
Email: crabtree.technical@electrium.co.uk
www.electrium.co.uk

Although every effort has been made to ensure accuracy in the compilation of the technical detail within this publication, specifications and performance data are constantly changing. Latest details can be obtained from Crabtree.



Crabtree