

CR1015/DW

20A DP SWITCH PRINTED DISHWASHER



Instinct™
WIRING ACCESSORIES

CONSTRUCTION

Product Category	Wiring Accessory
Product Group	Power & Control
Product Type	Plate Switch
Shape	Square Plate
Material	Urea Formaldehyde
Finish	Moulded
Mounting Type	Flush/Surface

POWER

Current	20 Amps
Current Type	AC
Frequency	50Hz
Input Voltage	250V
Switched Poles	Double Pole
Number of Rocker Switches	1
Number of Ways	1
Fuse Rating	Not Applicable

AESTHETICS

Plate Gang / Module Size	1 Gang
Plate Colour	White
Rocker Colour	White
Light Reflectance Value (LRV)	74
Printing Text/Type	Dishwasher, Laser Printed
Status Indicator	N
Switched Outlets	N
Part M Compliance	Y
Anti Microbial Properties	Y
Key Features & Benefits	Curved Slimline Plate All Upward Facing Terminals Full Contact Cable Clamp Fully Rated to 20A

TERMINAL

L & N Terminal Capacity as per BS Standard	3 x 2.5mm ² , 2 x 4.0mm ² , 1 x 6.0mm ²
Earth Terminal Capacity as per BS Standard	3 x 2.5mm ² , 2 x 4.0mm ² , 1 x 6.0mm ²
Number of Earth Terminals	2
Cable Strip Length	10mm
Screwdriver Type Required	Slotted Type
Torque requirement as per BS Standard L&N	0.8Nm
Torque requirement as per BS Standard Earth	0.8Nm

LOCATION

Max Ambient Operating Temp as per BS Req.	Occasionally reaching +35°C
Min Ambient Operating Temp as per BS Req.	Not exceeding +25°C
Max Altitude as per BS Requirement	2000m
IP Rating	IP2X

DIMENSIONAL / FIXING

Height	86mm
Width	86mm
Depth Overall (Inc Rocker)	25mm
Depth Interior only	15mm
Gross Weight	0.076kg
Minimum Back Box Depth	25mm
Suggested Back Box Depth	25mm
Fixing Centres	60.3mm
Minimum Access Top	100cm
Minimum Access Bottom	100cm
Minimum Access Left	100cm
Minimum Access Right	100cm
Minimum Access Front	100cm
Minimum Access Rear	100cm
Flush Mounting Metal Box	SB655 (25mm) or CR2201/BG (40mm)
Flush Mounting Dry Lining Box	SB619 (35mm)
Surface Mounting Box	9047 (25mm)

STANDARDS

British Standard/s	BS EN 60669-1
Other Markings/Standards	CE

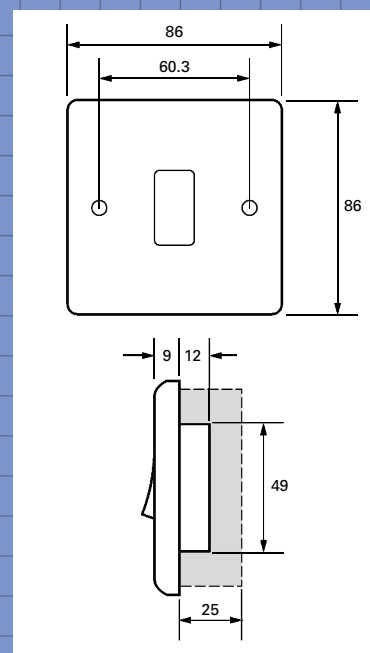
PACKAGING

Inner Carton Qty	10
Customer MOQ	10

SUSTAINABILITY

URL to technology list

<https://www.crabtreecommercial.co.uk/>



Electrium Sales Limited
A Siemens Company
Tel: +44 (0) 1543 438310
Fax: +44 (0) 1543 000000
Email: crabtree.technical@electrium.co.uk
www.electrium.co.uk

Although every effort has been made to ensure accuracy in the compilation of the technical detail within this publication, specifications and performance data are constantly changing. Latest details can be obtained from Crabtree.



Crabtree