

CR1014/HT

20A DP SWITCH WITH LED PRINTED HEATER



Instinct™
WIRING ACCESSORIES

CONSTRUCTION

| | |
|------------------|-------------------|
| Product Category | Wiring Accessory |
| Product Group | Power & Control |
| Product Type | Plate Switch |
| Shape | Square Plate |
| Material | Urea Formaldehyde |
| Finish | Moulded |
| Mounting Type | Flush/Surface |

POWER

| | |
|---------------------------|----------------|
| Current | 20 Amps |
| Current Type | AC |
| Frequency | 50Hz |
| Input Voltage | 250V |
| Switched Poles | Double Pole |
| Number of Rocker Switches | 1 |
| Number of Ways | 1 |
| Fuse Rating | Not Applicable |

AESTHETICS

| | |
|-------------------------------|--|
| Plate Gang / Module Size | 1 Gang |
| Plate Colour | White |
| Rocker Colour | White |
| Light Reflectance Value (LRV) | 74 |
| Printing Text/Type | Heater, Laser Printed |
| Status Indicator | Y |
| Switched Outlets | N |
| Part M Compliance | Y |
| Anti Microbial Properties | Y |
| Key Features & Benefits | Curved Slimline Plate All Upward Facing Terminals Full Contact Cable Clamp Integrated LED Light Indicator Fully Rated to 20A |

TERMINAL

| | |
|---|--|
| L & N Terminal Capacity as per BS Standard | 3 x 2.5mm ² , 2 x 4.0mm ² , 1 x 6.0mm ² |
| Earth Terminal Capacity as per BS Standard | 3 x 2.5mm ² , 2 x 4.0mm ² , 1 x 6.0mm ² |
| Number of Earth Terminals | 2 |
| Cable Strip Length | 10mm |
| Screwdriver Type Required | Slotted Type |
| Torque requirement as per BS Standard L&N | 0.8Nm |
| Torque requirement as per BS Standard Earth | 0.8Nm |

LOCATION

| | |
|---|-----------------------------|
| Max Ambient Operating Temp as per BS Req. | Occasionally reaching +35°C |
| Min Ambient Operating Temp as per BS Req. | Not exceeding +25°C |
| Max Altitude as per BS Requirement | 2000m |
| IP Rating | IP2X |

DIMENSIONAL / FIXING

| | |
|-------------------------------|----------------------------------|
| Height | 86mm |
| Width | 86mm |
| Depth Overall (Inc Rocker) | 25mm |
| Depth Interior only | 15mm |
| Gross Weight | 0.08kg |
| Minimum Back Box Depth | 25mm |
| Suggested Back Box Depth | 25mm |
| Fixing Centres | 60.3mm |
| Minimum Access Top | 100cm |
| Minimum Access Bottom | 100cm |
| Minimum Access Left | 100cm |
| Minimum Access Right | 100cm |
| Minimum Access Front | 100cm |
| Minimum Access Rear | 100cm |
| Flush Mounting Metal Box | SB655 (25mm) or CR2201/BG (40mm) |
| Flush Mounting Dry Lining Box | SB619 (35mm) |
| Surface Mounting Box | 9047 (25mm) |

STANDARDS

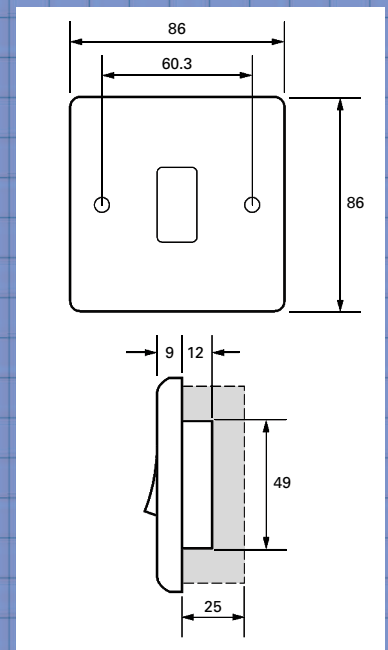
| | |
|--------------------------|---------------|
| British Standard/s | BS EN 60669-1 |
| Other Markings/Standards | CE |

PACKAGING

| | |
|------------------|----|
| Inner Carton Qty | 10 |
| Customer MOQ | 10 |

SUSTAINABILITY

URL to technology list <https://www.crabtreecommercial.co.uk/>



Electrium Sales Limited
A Siemens Company
Tel: +44 (0) 1543 438310
Fax: +44 (0) 1543 000000
Email: crabtree.technical@electrium.co.uk
www.electrium.co.uk

Although every effort has been made to ensure accuracy in the compilation of the technical detail within this publication, specifications and performance data are constantly changing. Latest details can be obtained from Crabtree.



Crabtree