



DATA SHEET
STARBREAKER 13 WAY INSULATED CONSUMER UNIT

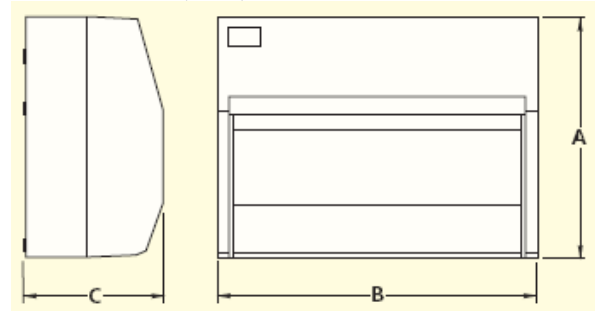
Catalogue Reference:- **413/2B** 13W 100A Main Switch

Current Rating	100A
Operating Voltage	230Volts +10/-6%
Short Circuit Rating	16kA when protected by a 100A HRC fuse to BS1361
Insulation Voltage	500Volts AC
IP Rating	IP2X (IP31 visor closed)
Consumer Unit	BS EN 60439-3
Main Switch	BS EN 60947-3
RCD Incomer	BS EN 61008
Box Material	Polycarbonate
Lid Material (excluding visor)	Polycarbonate
Colour	RAL7035
Outgoing Terminal Size Neutral Bar	Maximum cable Size 16mm
Outgoing Terminal Size Earth Bar	Maximum cable size 16mm
Incoming Terminal Size Neutral Bar	Maximum cable size 16mm
Incoming Terminal Size Earth Bar	Maximum cable size 16mm
Incoming Switch Disconnecter Size	Maximum cable size 50mm



Image depicts a 10 way unit

Dimensions (mm)



A.230 B.344 C.120

Replacement items

- 100/MI2 (Main Switch)
- 9150 (Busbar)
- VISOR/16 (Visor)
- 415/LID (Complete Lid Assembly)
- 415/815/LP (Leaflet pack)
- L39604 (RCD wiring regulation label)

Compatible circuit protective devices:

MCB 6kA 1 pole B & C curve 6 to 50A

B (3-5In)	C (5-10In)
61/B06	61/C06
61/B10	61/C10
61/B16	61/C16
61/B20	61/C20
61/B32	61/C32
61/B40	61/C40
61/B50	61/C50

RCBO B & C curve 6 to 50A 30mA

B (3-5In) 30mA (I_{Δn})	C (5-10In) 30mA (I_{Δn})
61/B10630	61/C10630
61/B11030	61/C11030
61/B11630	61/C11630
61/B12030	61/C12030
61/B13230	61/C13230
61/B14030	61/C14030
61/B15030	61/C15030

TECHNICAL

Telephone: 01543 438310 Facsimile: 01543 438311 eMail: crabtree.technical@electrium.co.uk