



**DATA SHEET**

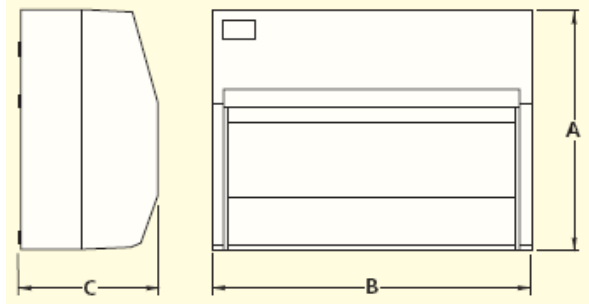
**STARBREAKER 10 WAY SPLIT LOAD INSULATED CONSUMER UNIT**

**Catalogue Reference:- 410/2\_63B 10W Split Load (100A MS + 63A 30mA RCCB)**

<b>Current Rating</b>	100A
<b>Operating Voltage</b>	230Volts +10/-6%
<b>Short Circuit Rating</b>	16kA when protected by a 100A HRC fuse to BS1361
<b>Insulation Voltage</b>	500Volts AC
<b>IP Rating</b>	IP2XC (IP31 visor closed)
<b>Consumer Unit</b>	BS EN 60439-3
<b>Main Switch</b>	BS EN 60947-3
<b>RCCB</b>	BS EN 61008
<b>Box Material</b>	Polycarbonate
<b>Lid Material (excluding visor)</b>	Polycarbonate
<b>Colour</b>	RAL7035
<b>Outgoing Terminal Size Neutral Bar</b>	Maximum cable Size 16mm
<b>Outgoing Terminal Size Earth Bar</b>	Maximum cable size 16mm
<b>Incoming Terminal Size Neutral Bar</b>	Maximum cable size 16mm
<b>Incoming Terminal Size Earth Bar</b>	Maximum cable size 16mm
<b>Incoming Switch Disconnecter Size</b>	Maximum cable size 50mm



**Dimensions (mm)**



A.230 B.344 C.120

**Assembled units;**

- **410/2363B** 3+7
- **410/2463B** 4+6
- **410/2563B** 5+5
- **410/2663B** 6+4
- **410/2763B** 7+3

**Replacement items**

- 100/MI2 (Main Switch)
- 363/S030 (3 Module 63A 30mA RCCB)
- 380/S030 (3 Module 80A 30mA RCCB)
- 9680 (Busbar 3+7)
- 9770 (Busbar 4+6)
- 9860 (Busbar 5+5)
- 9950 (Busbar 6+4)
- 9104 (Busbar 7+3)
- VISOR/16 (Visor)
- 415/LID (Complete Lid Assembly)
- 415/815/LP (Leaflet pack)
- L39604 (RCD wiring regulation label)

**Compatible circuit protective devices:**

MCB 6kA 1 pole B & C curve 6 to 50A

<b>B (3-5In)</b>	<b>C (5-10In)</b>
61/B06	61/C06
61/B10	61/C10
61/B16	61/C16
61/B20	61/C20
61/B32	61/C32
61/B40	61/C40
61/B50	61/C50

RCBO B & C curve 6 to 50A 30mA

<b>B (3-5In) 30mA (IΔn)</b>	<b>C (5-10In) 30mA (IΔn)</b>
61/B10630	61/C10630
61/B11030	61/C11030
61/B11630	61/C11630
61/B12030	61/C12030
61/B13230	61/C13230
61/B14030	61/C14030
61/B15030	61/C15030

**TECHNICAL**

Telephone: 01543 438310 Facsimile: 01543 438311 eMail: crabtree.technical@electricum.co.uk