



**DATA SHEET - STARBREAKER 8W DUAL RCCB INSULATED CONSUMER UNIT**

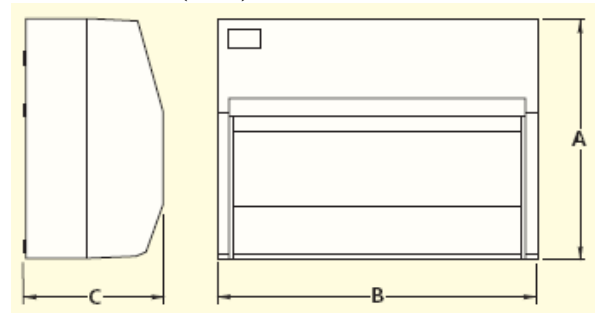
**Catalogue Reference:- 408/2834634B 8W Dual RCCB**

<b>Current Rating</b>	100A
<b>Operating Voltage</b>	230Volts +10/-6%
<b>Short Circuit Rating</b>	16kA when protected by a 100A HRC fuse to BS1361
<b>Insulation Voltage</b>	500Volts AC
<b>IP Rating</b>	IP2X
<b>Consumer Unit</b>	BS EN 60439-3
<b>Main Switch</b>	BS EN 60947-3
<b>RCD (2 MODULE)</b>	BS EN 61008
<b>RCD (3 MODULE)</b>	BS EN 61008
<b>Box Material</b>	Polycarbonate
<b>Lid Material (excluding visor)</b>	Polycarbonate
<b>Outgoing Terminal Size Neutral Bar</b>	Maximum cable Size 16mm
<b>Outgoing Terminal Size Earth Bar</b>	Maximum cable size 16mm
<b>Incoming Terminal Size Neutral Bar</b>	Maximum cable size 16mm
<b>Incoming Terminal Size Earth Bar</b>	Maximum cable size 16mm
<b>Incoming Switch Disconnecter Size</b>	Maximum cable size 50mm



*\*Image depicts a 13 way unit\**

**Dimensions (mm)**



A.230 B.344 C.120

**Replacement items**

- 100/2MT (Main Switch)
- 363/S030 (3 Module 63A 30mA RCCB)
- 380/S030 (3 Module 80A 30mA RCCB)
- 363/030 (2 Module 63A 30mA RCCB)
- 380/030 (2 Module 80A 30mA RCCB)
- VISOR/16 (Visor)
- 415/LID (Complete Lid Assembly)
- 415/815/LP (Leaflet pack)
- L39604 (RCD wiring regulation label)

**Compatible circuit protective devices:**

MCB 6kA 1 pole B & C curve 6 to 50A

<b>B (3-5In)</b>	<b>C (5-10In)</b>
61/B06	61/C06
61/B10	61/C10
61/B16	61/C16
61/B20	61/C20
61/B32	61/C32
61/B40	61/C40
61/B50	61/C50

TECHNICAL

Telephone: 01543 438310 Facsimile: 01543 438311 eMail: crabtree.technical@electricum.co.uk