

electrium



Britmac

Wiring Accessory
Floorboxes

FLOOR BOX DISTRIBUTION

This range of Britmac cable management products has been utilised in the design and installation of electrical systems in commercial and industrial projects for many years.

These, easy to install, fast-fit floor box products provide a wide choice from which to select the most appropriate wiring accessories for specific applications.

Large capacity cable routing guides ensure cables exit the box safely and neatly.

Lid hinge design ensures that lid will always self-close.

Snap-out facility enables the lid to be removed for access to accessory plates.



BRITMAC FLOORBOXES



GR03G

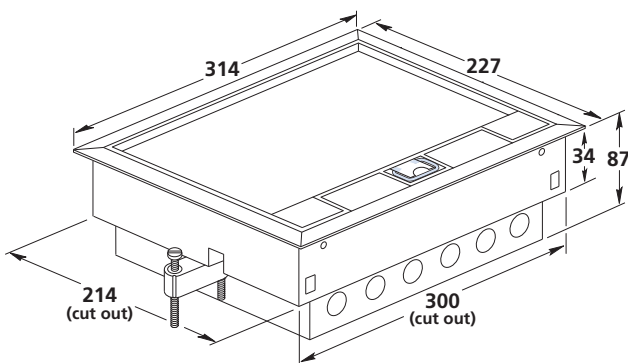
3 COMPARTMENT FLOOR BOX

TRIM COLOUR
Grey

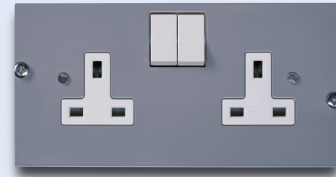
LIST No
GR03G

The most popular size of raised access floor box for use in commercial office applications where power, voice and data services are required.

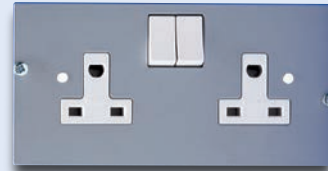
Utilises 87mm wide accessory plates.



Dimensions in mm



GB3SSN2/BG



GB3SSN2/BG

SWITCHED 13A SOCKETS

	LIST No
13A 2 Gang switched socket TWIN EARTH	GB3SS2/BG
13A 2 Gang switched socket CLEAN EARTH	GB3SS2CE/BG
13A 2 Gang switched socket NON-STD TWIN EARTH	GB3SSN2/BG

Clean Earth has a normal and an isolated earth.

BRITMAC FLOORBOXES



GB3S2/BG

UNSWITCHED 13A SOCKETS

	LIST No
13A 2 Gang unswitched socket TWIN EARTH	GB3S2/BG
13A 2 Gang unswitched socket CLEAN EARTH	GB3S2CE/BG

Clean Earth has a normal and an isolated earth.



GB3J6C/6BG

GB32G/BG

GB3J3/BG

DATA AND COMMUNICATIONS

	LIST No
Accessory plate 4 knockout LJU6C/RJ45	GB3J6C/BG
Accessory plate to accept 6x LJU6C/RJ45	GB3J6C/6BG
Accessory plate to accept 2x 1G standard accessory	GB3J3/BG
Accessory plate to accept 2G standard accessory	GB32G/BG
Blank plate	GB3BP/BG
Accessory plate to accept 4x Alpha	GB3ALPHA/BG
Accessory plate to accept 2x Euro module (Will accept 4x Crabtree communication modules 25mm x 50mm).	GB3EURO/BG

All plates 87mm x 173mm.

All accessory plates are supplied with fixing screws.

BRITMAC FLOORBOXES



GR04G

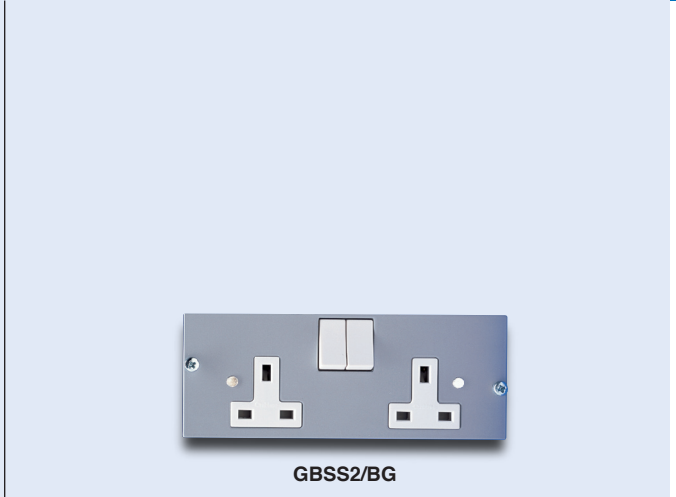
4 COMPARTMENT FLOOR BOX

TRIM COLOUR
Grey

LIST No
GR04G

Compact 4 compartment unit - utilises 66mm wide accessories.

4 compartment units can provide an attractive and economical solution for applications, where power, voice and data systems are to be accessed, particularly where both clean and utility power outlets are required or where more than one type of data system is required.



GBSS2/BG

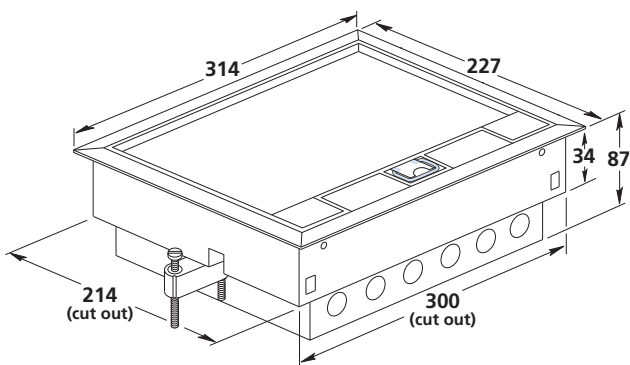
SWITCHED 13A SOCKETS

	LIST No
13A 2 Gang switched socket TWIN EARTH	GBSS2/BG
13A 2 Gang switched socket CLEAN EARTH	GBSS2CE/BG

Power sockets supplied with rear entry terminals as standard.

Clean earth have a normal and an isolated earth.

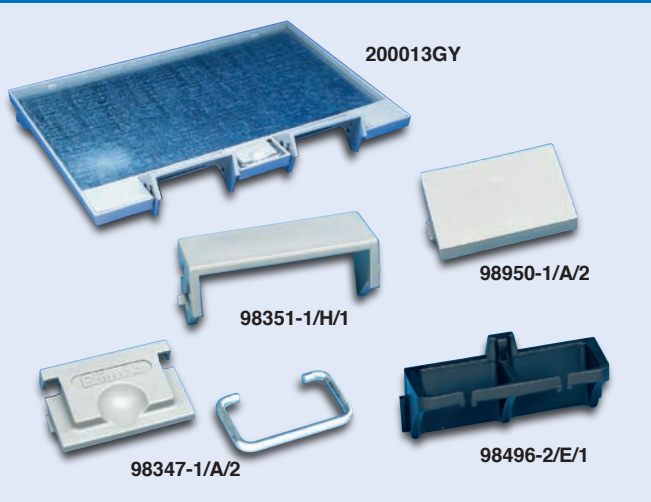
Only two 13A 2 gang Sockets can be fitted per Floor Box, in centre compartment only.



Dimensions in mm



GBJ6C/BG GBBP/BG GBEURO/BG GBALPGHABG



DATA AND COMMUNICATIONS

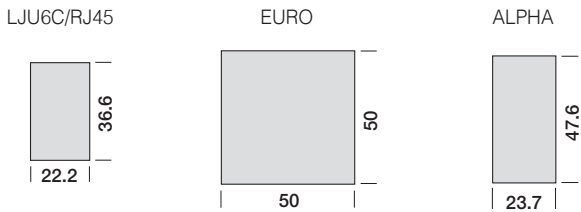
	LIST No
Plate to accept 4 LJU6C voice or 4 RJ45 data outlets	GBJ6C/BG
Blank plate for on-site piercing	GBBP/BG
Plate to accept 4x Alpha	GBALPHA/BG
Plate to accept 4x Crabtree 25mm x 50mm Euro modules	GBEURO/BG

All plates 66mm x 173mm.

All accessory plates are supplied with fixing screws.

13A accessory plates are supplied with the appropriate interior fitted.

KNOCKOUT DIMENSIONS



Dimensions in mm

CURRENT RANGE

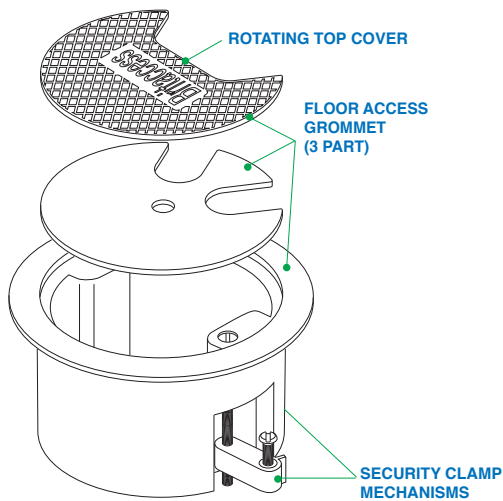
LID REPLACEMENT 3 & 4 GANG	
Lid assembly, Grey	200013GY
SPARES	
Trim piece (plain), Grey	98950-1/A/2
Trim piece (handle), Grey - Complete	98347-1/A/2
Cable flap, Grey	98351-1/H/1
Cable retainer, Black	98496-2/E/1



FLOOR ACCESS GROMMET

Top Grommet Only	BAG150
Floor Grommet c/w Switched 1G Socket & Back box	BAGSS

Floor grommet can accommodate most requirements for accessing cables on flexible conduits up to cable managed desks etc.



SPECIFICATION
Top Element (Grommet Only)

Dimensions:

O/A Diameter	150mm
Internal Diameter	120mm
Depth	65mm

Material: High Impact ABS

Colour: RAL 7016

FLOOR DISTRIBUTION SYSTEMS

Materials

All systems are constructed from high quality materials and are designed to meet relevant British and International Standards including the installation requirements of the IET Wiring Regulations.

Raised Access Floors

Throughout this catalogue the term Raised Access Floor has been used to describe any modular flooring system which is supported on adjustable pedestals providing a service void. Other names frequently used are Cavity Floor, False Floor, Platform Floor, Access Floor, Computer Floor, etc.

RAISED ACCESS FLOOR BOXES

Floorboxes

The floorbox has been designed to withstand working loads of the PSA MOB PF2 PS/SPU specification for raised floors. The floorboxes listed within this catalogue are capable of accepting a very wide range of accessories fitted in any compartment. However, certain combinations do impose restrictions on positioning, due to the clashes of connectors, plug tops or the cables themselves.

Accessories

All accessory plates are supplied complete with the appropriate thread cutting screws. Each fixing hole in the unit frames is unthreaded and deep plunged for ease of location of fixing. The minimum plug clearance between accessory plate and underside of floor is 34mm.

POWER (13A)

- Twin Earth sockets.
- Non-standard sockets.
- Clean Earth sockets.

TELEPHONE

Components for most British Telecom, Mercury and other national and international systems.

DATA

A wide range of components to suit virtually all systems in current use. These include IBM, Wang, Phillips, ICL and many others.

All dimensions in mm Tolerance on cut-out dimensions is ±1mm

electrium

ELECTRIUM SALES LIMITED

A SIEMENS COMPANY

Commercial Centre, Lakeside Plaza,
Walkmill Lane, Bridgtown,
Cannock WS11 0XE.
eMail: info@electrium.co.uk

www.electrium.co.uk

UK SALES

Telephone: 01543 455010
Facsimile: 01543 455011
eMail: crabtree.sales@electrium.co.uk

TECHNICAL

Telephone: 01543 438310
Facsimile: 01543 438311
eMail: crabtree.technical@electrium.co.uk

EXPORT SALES

Telephone: +44 1543 455049
Facsimile: +44 1543 455048
eMail: export@electrium.co.uk

DUBAI OFFICE

Telephone: +971 4 3660684
Facsimile: +971 4 3660676
eMail: export@electrium.co.uk



[@ElectriumNews](https://twitter.com/ElectriumNews) or download the APP

Although every effort has been made to ensure accuracy in the compilation of the technical detail within this publication, specifications and performance data are constantly changing. Latest details can be obtained from Crabtree.

Publication No. B2602e 06/21