

electrium



Crabtree
Wiring Accessories



electrium

LAKESIDE
POINT

Electrium Sales Ltd. is a Siemens company,
Crabtree is part of Electrium Sales Ltd.

CONTENTS

Instinct Moulded	2
Instinct Grid System	30
Instinct Moulded Boxes & Ancillary Items	44
Capital Moulded	52
Rockergrid	72
Ceiling Mounted Lighting & Control	76
Instinct Part M	90
Raised Metalplate	108
Screwless Low Profile	168
Flat Plate Decorative	212
Metalclad	252
Ingress Protected	268
Flush Metal & Dry Lining Boxes	281
Technical Information	288



Certificate Number 18828
ISO 9001, ISO 14001, ISO 45001



2013-RTL-L4-75
2013-RTL-L4-36



Testing Laboratory No. 1460
Testing Laboratory No. 2003

As a leading manufacturer of electrical installation equipment, Crabtree is committed to the continual improvement of all quality assurance procedures and performance.

Crabtree





SOFT CURVES SLIM PLATE SMOOTH STYLE

INSTINCT MOULDED LIGHTING CONTROL



CR1171



CR1172/G



CR1162



CR1162/PR



CR1372



CR1272/G

10AX SWITCHES

BS EN 60669-1

1 GANG

- CR1171 1 Way
- CR1172 2 Way
- CR1171/D Double Pole
- CR1175 Intermediate

PART M

ALL GREY WITH WHITE ROCKER

- CR1172/G 2 Way

Dimension

Height	86mm
Width	86mm
Plate Depth	9mm
Overall Depth (including rocker)	
Standard	23mm
Intermediate	25mm

Back Box

Surface Moulded	9043
Flush Galvanised	SB623
Dry Lining	SB619

10A RETRACTIVE SWITCHES

BS EN 60669-1

1 GANG

- CR1162 2 Way
- CR1162/BS 2 Way Printed
Bell Symbol on rocker
- CR1162/PR 2 Way Printed Press
- CR1162/PE/GR 2 Way Printed
Press To Exit on plate

Dimension

Height	86mm
Width	86mm
Plate Depth	9mm
Overall Depth (including rocker)	
Standard	23mm
Intermediate	25mm

Back Box

Surface Moulded	9043
Flush Galvanised	SB623
Dry Lining	SB619

For technical and dimensional data please refer to the Technical Information section

10AX SWITCHES

BS EN 60669-1

2-3 GANG

- CR1272 2 Gang 2 Way
- CR1372 3 Gang 2 Way

PART M

ALL GREY WITH WHITE ROCKER

- CR1272/G 2 Gang 2 Way

Dimension

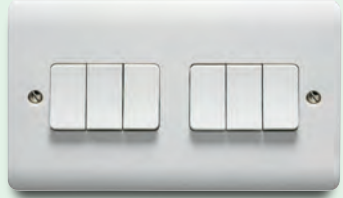
Height	86mm
Width	86mm
Plate Depth	9mm
Overall Depth (including rocker)	23mm

Back Box

Surface Moulded	9043
Flush Galvanised	SB623
Dry Lining	SB619



CR1472



CR1672



CR2572/RG + 4553IR + 6901

10AX SWITCHES

BS EN 60669-1

4-6 GANG

CR1472 4 Gang 2 Way

CR1672 6 Gang 2 Way

10AX 2WAY & OFF RETRATIVE SWITCHES

BS EN 60669-1

1 GANG

CR2571/RG + 4553IR + 6901

PART M

ALL GREY WITH WHITE ROCKER

1 GANG

CR2571/RG/G + 4553IR + 6901

2 GANG

CR2572/RG + 2 x 4553IR + 6902

PART M

ALL GREY WITH WHITE ROCKER

2 GANG

CR2572/RG/G + 2 x 4553IR + 6902

Dimension

Height	86mm
Width	146mm
Plate Depth	9mm
Overall Depth (including rocker)	23mm

Back Box

Surface Moulded	9048
Flush Galvanised	SB665
Dry Lining	SB629

Dimension

Height	86mm
Width	86mm
Plate Depth	9mm
Overall Depth (including rocker)	26mm

Back Box

Surface Moulded	9047
Flush Galvanised	SB655
Dry Lining	SB619



CR1180

10AX ARCHITRAVE SWITCHES

BS EN 60669-1

1 GANG

CR1177 2 Way Switch

CR1180 Intermediate

Dimension

Height	86mm
Width	32mm
Plate Depth	9mm
Overall Depth (inc. rocker)	
Standard	23mm
Intermediate	25mm

Back Box

Surface Moulded	4005
Flush Galvanised	9257



CR1179/BS

CR1179/PR

10A RETRACTIVE ARCHITRAVE SWITCHES

BS EN 60669-1

1 GANG

CR1179/BS 2 Way
Printed Bell Symbol

CR1179/PR 2 Way
Printed Press

Dimension

Height	86mm
Width	32mm
Plate Depth	9mm
Overall Depth	
(including rocker)	23mm

Back Box

Surface Moulded	4005
Flush Galvanised	9257



CR1278

10AX ARCHITRAVE SWITCH

BS EN 60669-1

2 GANG

CR1278 2 Way

Dimension

Height	146mm
Width	32mm
Plate Depth	9mm
Overall Depth	
(including rocker)	23mm

Back Box

Surface Moulded	4006
Flush Galvanised	9258/GV



CR1124



CR1224



CR1125/LED



CR1225/LED

250 WATT DIMMER SWITCHES

BS EN 60669-2-1

1-2 GANG

- CR1122 1 Gang 2 Way
- CR1222 2 Gang 2 Way

400 WATT DIMMER SWITCHES

BS EN 60669-2-1

1-2 GANG

- CR1124 1 Gang 2 Way
- CR1224 2 Gang 2 Way

Dimension

Height	86mm
Width	86mm
Plate Depth	9mm
Overall Depth	
(inc dimmer knob)	42mm

Back Box

Surface Moulded	9041
Flush Galvanised	SB615
Dry Lining	SB619

5-100 WATT LED DIMMER SWITCHES

BS EN 60669-2-1

1-2 GANG

- CR1125/LED 1 Gang 2 Way
- CR1225/LED 2 Gang 2 Way

Dimension

Height	86mm
Width	86mm
Plate Depth	9mm
Overall Depth	
(inc dimmer knob)	42mm

Back Box

Surface Moulded	9041
Flush Galvanised	SB615
Dry Lining	SB619



CR1304

13A SP SWITCHED SOCKET DUAL EARTH

BS 1363-2

1 GANG

CR1304 Switched Socket

Dimension

Height	86mm
Width	86mm
Plate Depth	9mm
Overall Depth (including rocker)	30mm

Back Box

Surface Moulded	9047
Flush Galvanised	SB655
Dry Lining	SB619



CR1304/D



CR1303/D/G

13A DP SWITCHED SOCKET DUAL EARTH

BS 1363-2

1 GANG

CR1304/D Switched Socket
CR1303/D Complete with LED

PART M

ALL GREY WITH WHITE ROCKER

CR1304/D/G Switched Socket
CR1303/D/G Complete with LED

Dimension

Height	86mm
Width	86mm
Plate Depth	9mm
Overall Depth (including rocker)	30mm

Back Box

Surface Moulded	9047
Flush Galvanised	SB655
Dry Lining	SB619



CR1304/D/GR/W

13A DP SWITCHED SOCKET DUAL EARTH

BS 1363-2

1 GANG GREEN ROCKER

CR1304/D/GR/W Switched Socket

Dimension

Height	86mm
Width	86mm
Plate Depth	9mm
Overall Depth (including rocker)	30mm

Back Box

Surface Moulded	9047
Flush Galvanised	SB655
Dry Lining	SB619



CR1304/D/R



CR1303/D/R



CR1304/D/R/W

13A DP SWITCHED SOCKET CLEAN EARTH

BS 1363-2

1 GANG ALL RED

CR1304/D/R Switched Socket


CR1303/D/R Complete with LED

1 GANG RED ROCKER

CR1304/D/R/W Switched Socket

Crabtree Clean Earth sockets come complete with:

2 terminals on the functional earth bar 

2 terminals on the clean earth bar 

Dimension

Height	86mm
Width	86mm
Plate Depth	9mm
Overall Depth (including rocker)	30mm

Back Box

Surface Moulded	9047
Flush Galvanised	SB655
Dry Lining	SB619



CR1304/D/CE

13A DP SWITCHED SOCKET CLEAN EARTH


BS 1363-2

1 GANG

CR1304/D/CE Switched Socket

Crabtree Clean Earth sockets come complete with:

2 terminals on the functional earth bar 

2 terminals on the clean earth bar 

Dimension

Height	86mm
Width	86mm
Plate Depth	9mm
Overall Depth (including rocker)	30mm

Back Box

Surface Moulded	9047
Flush Galvanised	SB655
Dry Lining	SB619



CR1304/RCD

13A DP SRCD SWITCHED SOCKET

BS 1363-2, BS 7288, BS 5733, IPC-A-610, IEC62640

1 GANG

CR1304/RCD 30mA Passive Latching
RCD Protected

Dimension

Height	86mm
Width	86mm
Plate Depth	14.85mm
Overall Depth (including rocker)	45mm

Back Box

Surface Moulded	9041
Flush Galvanised	SB615
Dry Lining	SB619



CR1306

13A SP SWITCHED SOCKET DUAL EARTH

BS 1363-2

2 GANG
CR1306

Switched Socket



CR1306/D



CR1305/D

13A DP SWITCHED SOCKET DUAL EARTH

BS 1363-2

2 GANG
CR1306/D
CR1305/D

Switched Socket
Complete with LED



CR1306/USB/D



CR1306/RCD

13A DP SWITCHED SOCKET DUAL EARTH WITH DUAL USB OUTLETS

BS 1363-2

2 GANG
CR1306/USB/D 2.1A Shared USB Output

13A DP SRCD SWITCHED SOCKET

BS 1363-2, BS 7288, BS 5733, IPC-A-610, IEC62640

2 GANG
CR1306/RCD Switched Passive Latching
Socket 30mA RCD
Protected

Dimension

Height	86mm
Width	146mm
Plate Depth	9mm
Overall Depth (including rocker)	29mm

Back Box

Surface Moulded	9048
Flush Galvanised	SB665
Dry Lining	SB629

Dimension

Height	86mm
Width	146mm
Plate Depth	9mm
Overall Depth (including rocker)	29mm

Back Box

Surface Moulded	9048
Flush Galvanised	SB665
Dry Lining	SB629

Dimension

Height	86mm
Width	146mm
Plate Depth	USB 9mm SRCD 14.85mm
Overall Depth (including rocker)	USB 37.5mm SRCD 45mm

Back Box

Surface Moulded	9040
Flush Galvanised	SB625
Dry Lining	SB629

For technical and dimensional data please refer to the Technical Information section



CR1307/D



CR1308/D/G

13A DP SWITCHED SOCKET OUTBOARD ROCKER DUAL EARTH

BS 1363-2

2 GANG

CR1307/D Switched Socket
CR1308/D Complete with LED

PART M

ALL GREY WITH WHITE ROCKER

CR1307/D/G Switched Socket
CR1308/D/G Complete with LED

Dimension

Height 86mm
Width 146mm
Plate Depth 9mm
Overall Depth
(including rocker) 29mm

Back Box

Surface Moulded 9048
Flush Galvanised SB665
Dry Lining SB629



CR1307/D/GR/W

13A DP SWITCHED SOCKET OUTBOARD ROCKER DUAL EARTH

BS 1363-2

2 GANG GREEN ROCKER

CR1307/D/GR/W Switched Socket

Dimension

Height 86mm
Width 146mm
Plate Depth 9mm
Overall Depth
(including rocker) 29mm

Back Box

Surface Moulded 9048
Flush Galvanised SB665
Dry Lining SB629



CR1307/D/CE



CR1308/D/CE



13A DP SWITCHED SOCKET OUTBOARD ROCKER CLEAN EARTH

BS 1363-2

2 GANG

CR1307/D/CE Switched Socket
CR1308/D/CE Complete with LED

Crabtree Clean Earth sockets come complete with:

2 terminals on the functional earth bar 
2 terminals on the clean earth bar 

Dimension

Height 86mm
Width 146mm
Plate Depth 9mm
Overall Depth
(including rocker) 29mm

Back Box

Surface Moulded 9048
Flush Galvanised SB665
Dry Lining SB629



CR1307/D/R



CR1308/D/R/W

13A DP SWITCHED SOCKET OUTBOARD ROCKER CLEAN EARTH

BS 1363-2

2 GANG ALL RED

CR1307/D/R Switched Socket

CR1308/D/R Complete with LED


2 GANG RED ROCKER

CR1307/D/R/W Switched Socket

CR1308/D/R/W Complete with LED

Crabtree Clean Earth sockets come complete with:

2 terminals on the functional earth bar 

2 terminals on the clean earth bar 

Dimension

Height	86mm
Width	146mm
Plate Depth	9mm
Overall Depth	
(including rocker)	29mm

Back Box

Surface Moulded	9048
Flush Galvanised	SB665
Dry Lining	SB629



CR1324/D

13A DP NON STANDARD SWITCHED SOCKET DUAL EARTH

BS 1363-2

1 GANG

CR1324/D Switched Socket

Dimension

Height	86mm
Width	86mm
Plate Depth	9mm
Overall Depth	
(including rocker)	29mm

Back Box

Surface Moulded	9047
Flush Galvanised	SB655
Dry Lining	SB619



CR1324/D/R/W

13A DP NON STANDARD SWITCHED SOCKET CLEAN EARTH


BS 1363-2

1 GANG RED ROCKER

CR1324/D/R/W Switched Socket

Crabtree Clean Earth sockets come complete with:

2 terminals on the functional earth bar 

2 terminals on the clean earth bar 

Dimension

Height	86mm
Width	86mm
Plate Depth	9mm
Overall Depth	
(including rocker)	29mm

Back Box

Surface Moulded	9047
Flush Galvanised	SB655
Dry Lining	SB619



CR1255

13A UNSWITCHED SOCKET DUAL EARTH

BS 1363-2

1 GANG

CR1255

Unswitched Socket

Dimension

Height	86mm
Width	86mm
Plate Depth	9mm
Overall Depth	24.5mm

Back Box

Surface Moulded	9047
Flush Galvanised	SB655
Dry Lining	SB619



CR1255/CE/BL

13A UNSWITCHED SOCKET CLEAN EARTH

BS 1363-2


1 GANG ALL BLUE

CR1255/CE/BL

Marked MEDICAL
EQUIPMENT ONLY

Crabtree Clean Earth sockets come complete with:

2 terminals on the functional earth bar 

2 terminals on the clean earth bar 

Dimension

Height	86mm
Width	86mm
Plate Depth	9mm
Overall Depth	24.5mm

Back Box

Surface Moulded	9047
Flush Galvanised	SB655
Dry Lining	SB619



CR1257

13A UNSWITCHED SOCKET DUAL EARTH

BS 1363-2

2 GANG

CR1257

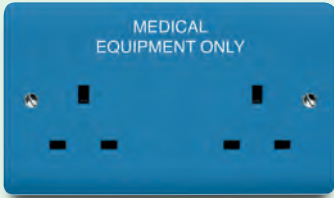
Unswitched Socket

Dimension

Height	86mm
Width	146mm
Plate Depth	9mm
Overall Depth	24.5mm

Back Box

Surface Moulded	9048
Flush Galvanised	SB665
Dry Lining	SB629



CR1257/CE/BL



13A UNSWITCHED SOCKET CLEAN EARTH

BS 1363-2

2 GANG ALL BLUE

CR1257/CE/BL Marked MEDICAL EQUIPMENT ONLY

Crabtree Clean Earth sockets come complete with:

- 2 terminals on the functional earth bar 
- 2 terminals on the clean earth bar 

Dimension

Height	86mm
Width	146mm
Plate Depth	9mm
Overall Depth	24.5mm

Back Box

Surface Moulded	9048
Flush Galvanised	SB665
Dry Lining	SB629



CR1257/R



13A UNSWITCHED SOCKET CLEAN EARTH

BS 1363-2

2 GANG ALL RED

CR1257/R Unswitched Socket

Crabtree Clean Earth sockets come complete with:

- 2 terminals on the functional earth bar 
- 2 terminals on the clean earth bar 

Dimension

Height	86mm
Width	146mm
Plate Depth	9mm
Overall Depth	24.5mm

Back Box

Surface Moulded	9048
Flush Galvanised	SB665
Dry Lining	SB629



CR1046

2A UNSWITCHED SOCKET

BS 546

1 GANG

CR1046 2A Unswitched Socket

Dimension

Height	86mm
Width	86mm
Plate Depth	9mm
Overall Depth	18.5mm (2A)

Back Box

Surface Moulded	9047
Flush Galvanised	SB655
Dry Lining	SB619



7222/WH



13NP



7011

13A PLUG

BS 1363-1

7222/WH Fused at 13A

13A NON STANDARD PLUG

BS 1363-1 WHERE APPLICABLE

13NP Fused at 13A
Non-Standard

2A, 5A & 15A PLUGS

BS 546

7011 Fused at 2A

7111 Fused at 5A

7211 Fused at 15A



CR1826F



CR1826/G



CR1827/R



CR1827/F/R/W



CR1827T



CR1826FT

13A SWITCHED DP FUSED CONNECTION UNIT

BS 1363-4

1 GANG

- CR1827** Switched FCU
- CR1826** Complete with LED
- CR1827F** Complete with Flex outlet
- CR1826F** Complete with LED & Flex outlet

PART M

- CR1827/G** Switched FCU
- CR1826/G** Complete with LED
- CR1827F/G** Complete with Flex outlet
- CR1826F/G** Complete with LED & Flex outlet

Dimension

Height	86mm
Width	86mm
Plate Depth	9mm
Overall Depth (including rocker)	29mm

Back Box

Surface Moulded	9047
Flush Galvanised	SB615
Dry Lining	SB619

13A SWITCHED DP FUSED CONNECTION UNIT

BS 1363-4

1 GANG ALL RED

- CR1827/R** Switched FCU
- CR1826/R** Complete with LED
- CR1827F/R** Complete with Flex outlet
- CR1826F/R** Complete with LED & Flex outlet

1 GANG RED ROCKER

- CR1827/R/W** Switched FCU
- CR1826/R/W** Complete with LED
- CR1827F/R/W** Complete with Flex outlet
- CR1826F/R/W** Complete with LED & Flex outlet

Dimension

Height	86mm
Width	86mm
Plate Depth	9mm
Overall Depth (including rocker)	29mm

Back Box

Surface Moulded	9047
Flush Galvanised	SB615
Dry Lining	SB619

13A SWITCHED DP FUSED CONNECTION UNIT

BS 1363-4

1 GANG WITH TAMPERPROOF SCREW

- CR1827T** Switched FCU
- CR1826T** Complete with LED
- CR1827FT** Complete with Flex outlet
- CR1826FT** Complete with LED & Flex outlet

Dimension

Height	86mm
Width	86mm
Plate Depth	9mm
Overall Depth (including rocker)	29mm

Back Box

Surface Moulded	9047
Flush Galvanised	SB615
Dry Lining	SB619

For technical and dimensional data please refer to the Technical Information section



CR1827/BO

CR1827/DW



CR1827/EF

CR1827/FF



CR1826/HD

CR1826/FR



CR1826/HB

CR1826/WM



748

13A SWITCHED DP FUSED CONNECTION UNIT PRINTED

BS 1363-4

1 GANG

- CR1827/BO** Printed BOILER
- CR1827/HD** Printed COOKER HOOD
- CR1827/DW** Printed DISHWASHER
- CR1827/EF** Printed EXTRACTOR FAN
- CR1827/FR** Printed FRIDGE
- CR1827/FZ** Printed FREEZER
- CR1827/FF** Printed FRIDGE FREEZER
- CR1827/FN** Printed FAN
- CR1827/HB** Printed HOB
- CR1827/HT** Printed HEATER
- CR1827/WM** Printed WASHING MACHINE
- CR1827/WH** Printed WATER HEATER
- CR1827/TD** Printed TUMBLE DRYER

• See page 66 for customised printing

Dimension

Height	86mm
Width	86mm
Plate Depth	9mm
Overall Depth (including rocker)	29mm

Back Box

Surface Moulded	9047
Flush Galvanised	SB615
Dry Lining	SB619

13A SWITCHED DP FUSED CONNECTION UNIT WITH LED PRINTED

BS 1363-4

1 GANG

- CR1826/BO** Printed BOILER
- CR1826/HD** Printed COOKER HOOD
- CR1826/DW** Printed DISHWASHER
- CR1826/EF** Printed EXTRACTOR FAN
- CR1826/FR** Printed FRIDGE
- CR1826/FZ** Printed FREEZER
- CR1826/FF** Printed FRIDGE FREEZER
- CR1826/FN** Printed FAN
- CR1826/HB** Printed HOB
- CR1826/HT** Printed HEATER
- CR1826/WM** Printed WASHING MACHINE
- CR1826/WH** Printed WATER HEATER
- CR1826/TD** Printed TUMBLE DRYER

• See page 66 for customised printing

Dimension

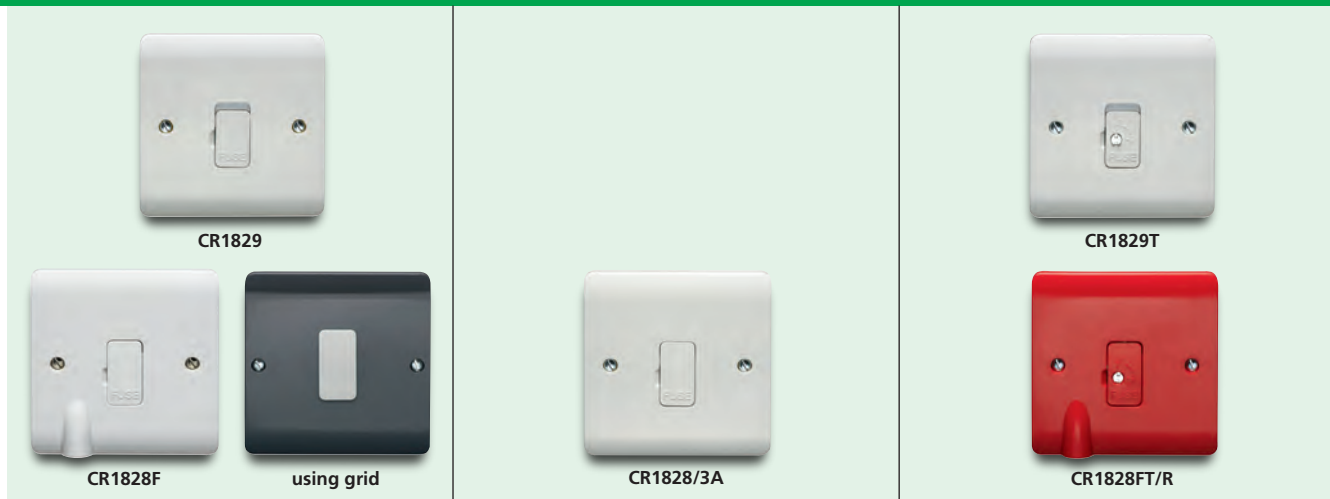
Height	86mm
Width	86mm
Plate Depth	9mm
Overall Depth (including rocker)	29mm

Back Box

Surface Moulded	9047
Flush Galvanised	SB615
Dry Lining	SB619

ACCESSORIES

- 748** Padlock for FCU Fuse Draw
- CR2941** Spare tamperproof key



13A UNSWITCHED FUSED CONNECTION UNIT

BS 1363-4

1 GANG

- CR1828** Unswitched FCU
- CR1829** Complete with LED
- CR1828F** Complete with Flex outlet
- CR1829F** Complete with LED & Flex outlet

PART M

- Using grid** 13A Unswitched FCU
- Grid Plate - **CR2571/G**
- Grid yoke - **CR2912**
- Grid fuse unit - **CR2828**

Dimension

Height	86mm
Width	86mm
Plate Depth	9mm
Overall Depth	25mm

Back Box

Surface Moulded	9047
Flush Galvanised	SB615
Dry Lining	SB619

3A UNSWITCHED FUSED CONNECTION UNIT

BS 1363-4

1 GANG

- CR1828/3A** Unswitched FCU

Dimension

Height	86mm
Width	86mm
Plate Depth	9mm
Overall Depth	25mm

Back Box

Surface Moulded	9047
Flush Galvanised	SB615
Dry Lining	SB619

13A UNSWITCHED FUSED CONNECTION UNIT

BS 1363-4

1 GANG WITH TAMPERPROOF SCREW

- CR1828T** Unswitched FCU
- CR1829T** Complete with LED
- CR1828FT** Complete with Flex outlet
- CR1829FT** Complete with LED & Flex outlet

1 GANG ALL RED WITH TAMPERPROOF SCREW

- CR1828T/R** Unswitched FCU
- CR1828FT/R** Complete with Flex outlet

Dimension

Height	86mm
Width	86mm
Plate Depth	9mm
Overall Depth	25mm

Back Box

Surface Moulded	9047
Flush Galvanised	SB615
Dry Lining	SB619

For technical and dimensional data please refer to the Technical Information section



CR1828/RCD

13A UNSWITCHED SRCD FUSED CONNECTION UNIT

BS 7288:1990, BS 5733:2010

1 GANG

CR1828/RCD 30mA RCD protected

Dimension

Height	86mm
Width	86mm
Plate Depth	14.85mm
Overall Depth (including test button)	45.1mm

Back Box

Surface Moulded	9047
Flush Galvanised	SB615
Dry Lining	SB619



748



CR2941

ACCESSORIES

748 Padlock for FCU Fuse Draw
CR2941 Spare tamperproof key



CR1008



CR1009



748

10A THREE POLE ISOLATOR SWITCH

BS EN 60669-2-4

1 GANG

CR1008 Lockable with Fan and Isolator Symbol
CR1009 Lockable with Isolator Symbol

PADLOCK FOR FAN ISOLATOR

1 GANG

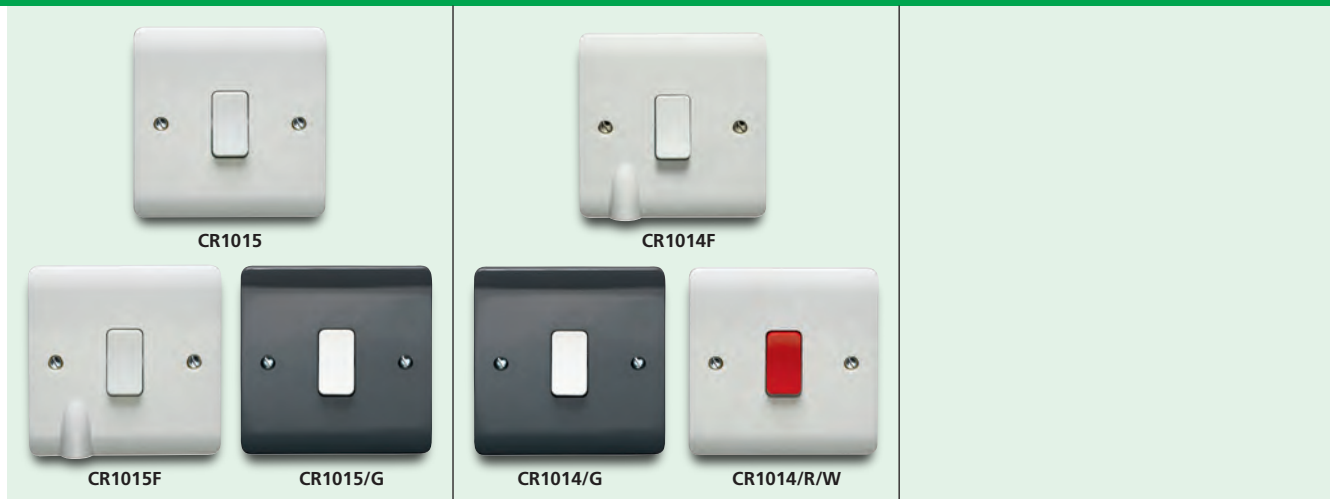
748 Padlock for locking Isolator in "OFF" position

Dimension

Height	86mm
Width	86mm
Plate Depth	9mm
Overall Depth (including rocker)	23mm

Back Box

Surface Moulded	9047
Flush Galvanised	SB655
Dry Lining	SB619



20A DP SWITCH

BS EN60669-1

1 GANG

- CR1015** DP Switch
- CR1015F** Complete with Flex outlet

PART M

ALL GREY WITH WHITE ROCKER

- CR1015/G** DP Switch

Dimension

Height	86mm
Width	86mm
Plate Depth	9mm
Overall Depth (including rocker)	25mm

Back Box

Surface Moulded	9047
Flush Galvanised	SB655
Dry Lining	SB619

20A DP SWITCH WITH LED

BS EN 60669-1

1 GANG

- CR1014** DP Switch
- CR1014F** Complete with Flex outlet

1 GANG GREY

ALL GREY WITH WHITE ROCKER

- CR1014/G** DP Switch

1 GANG RED ROCKER

- CR1014/R/W** DP Switch

• See page 66 for customised printing

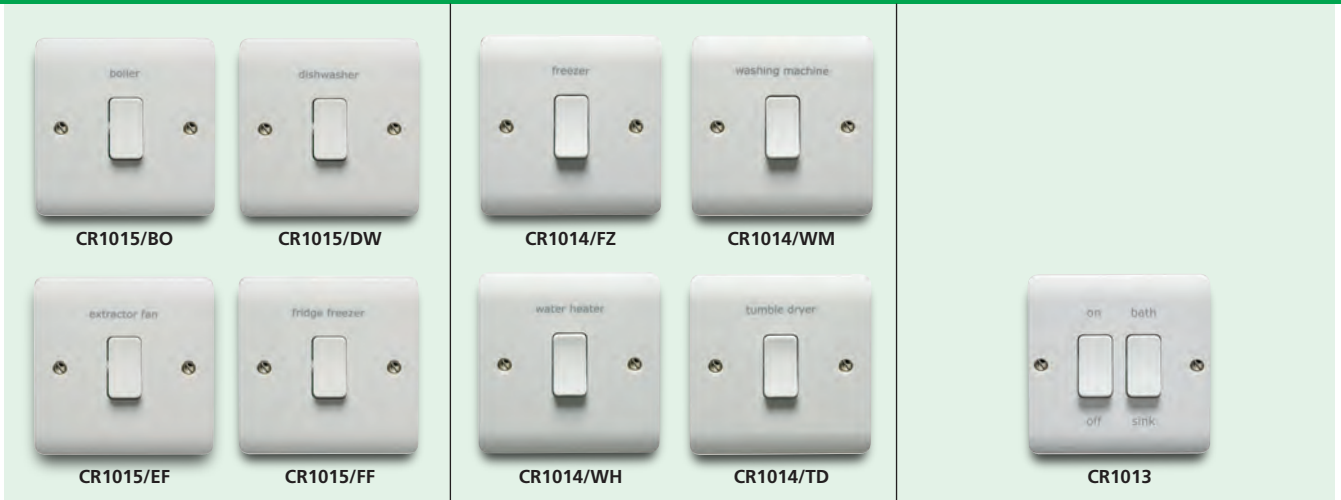
Dimension

Height	86mm
Width	86mm
Plate Depth	9mm
Overall Depth (including rocker)	25mm

Back Box

Surface Moulded	9047
Flush Galvanised	SB655
Dry Lining	SB619

For technical and dimensional data please refer to the Technical Information section



20A DP PRINTED SWITCHES

BS EN 60669-1

1 GANG

- CR1015/BO** Printed BOILER
- CR1015/HD** Printed COOKER HOOD
- CR1015/DW** Printed DISHWASHER
- CR1015/EF** Printed EXTRACTOR FAN
- CR1015/FR** Printed FRIDGE
- CR1015/FZ** Printed FREEZER
- CR1015/FF** Printed FRIDGE FREEZER
- CR1015/FN** Printed FAN
- CR1015/HB** Printed HOB
- CR1015/HT** Printed HEATER
- CR1015/WM** Printed WASHING MACHINE
- CR1015/WH** Printed WATER HEATER
- CR1015/TD** Printed TUMBLE DRYER

• See page 66 for customised printing

Dimension

Height	86mm
Width	86mm
Plate Depth	9mm
Overall Depth (including rocker)	25mm

Back Box

Surface Moulded	9047
Flush Galvanised	SB655
Dry Lining	SB619

20A DP PRINTED SWITCHES WITH LED

BS EN 60669-1

1 GANG

- CR1014/BO** Printed BOILER
- CR1014/HD** Printed COOKER HOOD
- CR1014/DW** Printed DISHWASHER
- CR1014/EF** Printed EXTRACTOR FAN
- CR1014/FR** Printed FRIDGE
- CR1014/FZ** Printed FREEZER
- CR1014/FF** Printed FRIDGE FREEZER
- CR1014/FN** Printed FAN
- CR1014/HB** Printed HOB
- CR1014/HT** Printed HEATER
- CR1014/WM** Printed WASHING MACHINE
- CR1014/WH** Printed WATER HEATER
- CR1014/TD** Printed TUMBLE DRYER

• See page 66 for customised printing

Dimension

Height	86mm
Width	86mm
Plate Depth	9mm
Overall Depth (including rocker)	25mm

Back Box

Surface Moulded	9047
Flush Galvanised	SB655
Dry Lining	SB619

20A DUAL DP BATH/SINK SWITCH

BS EN 60669-1

1 GANG

- CR1013** Complete with LED

Dimension

Height	86mm
Width	86mm
Plate Depth	9mm
Overall Depth (including rocker)	26mm

Back Box

Surface Moulded	9047
Flush Galvanised	SB655
Dry Lining	SB619



20A FLEX OUTLET

BS 5733

1 GANG

CR1075 Flex Outlet

Dimension

Height	86mm
Width	86mm
Plate Depth	9mm
Overall Depth (inc flex outlet)	24mm

Back Box

Surface Moulded	9047
Flush Galvanised	SB655
Dry Lining	SB619

50A DP SWITCH

BS EN 60669-1

1 GANG

CR1016 DP Switch
CR1017 Complete with LED

PART M

ALL GREY WITH WHITE ROCKER

CR1016/G DP Switch
CR1017/G Complete with LED

2 GANG

CR1500 DP Switch
CR1501 Complete with LED

Dimension

	1 Gang	2 Gang
Height	86mm	146mm
Width	86mm	86mm
Plate Depth	9mm	9mm
Overall Depth (including rocker)	38mm	38mm

Back Box

	1 Gang	2 Gang
Surface Moulded	9041	9040
Flush Galvanised	SB618	SB628
Dry Lining	SB632	SB631

50A DP SWITCH WITH LED PRINTED

BS EN 60669-1

2 GANG

CR1501/CK Printed COOKER
CR1501/SH Printed SHOWER

• Customised printing requirements available on request

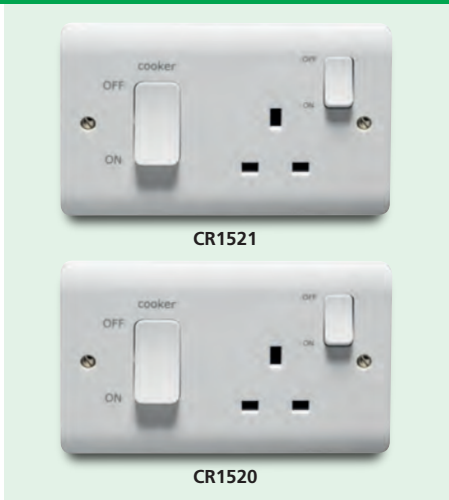
Dimension

Height	146mm
Width	86mm
Plate Depth	9mm
Overall Depth (including rocker)	38mm

Back Box

Surface Moulded	9040
Flush Galvanised	SB628
Dry Lining	SB631

For technical and dimensional data please refer to the Technical Information section



45A DP COOKER CONTROL UNIT

BS 4177

2 GANG

CR1521 with DP Switched Socket

CR1520 with DP Switched Socket complete with LED

• See page 66 for customised printing

Dimension

Height	86mm
Width	146mm
Plate Depth	9mm
Overall Depth	38mm

Back Box

Surface Moulded	9054
Flush Galvanised	SB628
Dry Lining	SB631

50A FLEX OUTLET / COOKER CONNECTION UNIT

BS 5733

1 GANG

CR1506 with Safety Cover

50A FLEX OUTLET / COOKER CONNECTION UNIT SPARE SAFETY COVER

BS 5733 where applicable

1 GANG

CR1506/COVER Cover

Dimension

Height	86mm
Width	86mm
Plate Depth	9mm
Overall Depth	
(including outlet)	42mm

Back Box

Surface Moulded	9041
Flush Galvanised	SB618
Dry Lining	SB632

SHAVER SOCKET

BS EN 61558-2-5

2 GANG

CR1400 Dual Voltage 115/240V

LIGHT AND SHAVER UNIT

BS EN 61558-2-5, BS 4533

2402/E

Dual Voltage 115/240V with LED lamp

Dimension CR1400

Height	146mm
Width	86mm
Plate Depth	9mm
Overall Depth	51.5mm

Back Box

Surface Moulded	9053
Flush Galvanised	SB628
Dry Lining	SB631

Dimension 2402/E

Height	59mm
Width	492mm
Depth	70mm



TELEPHONE SOCKETS

BS 6312, BS EN 41003

1 GANG

- CR1283** Master
- CR1284** Secondary
- CR1286** RJ11
- 7288** Dual Telephone Adaptor

Dimension

Height	86mm
Width	86mm
Plate Depth	9mm
Overall Depth	39mm

Back Box

Surface Moulded	9047
Flush Galvanised	SB615
Dry Lining	SB619

DATA SOCKETS

1 GANG

- CR1287** 1 Way RJ45 Cat 6
- CR1288** 2 Way RJ45 Cat 6

Dimension

Height	86mm
Width	86mm
Plate Depth	9mm
Overall Depth	39mm

Back Box

Surface Moulded	9047
Flush Galvanised	SB615
Dry Lining	SB619

CO-AXIAL AND SATELLITE SOCKETS

BS EN 60728-11

1 GANG 1 WAY

- CR1265** Male Co-Axial Direct Connection
- CR1267** Male Co-Axial Isolated
- CR1314** Female Co-Axial Direct Connection
- CR1289** F-Type Satellite

Dimension

Height	86mm
Width	86mm
Plate Depth	9mm
Overall Depth	25mm

Back Box

Surface Moulded	9047
Flush Galvanised	SB655
Dry Lining	SB619



CR1266



CR1290

CO-AXIAL AND SATELLITE SOCKETS

BS EN 60728-11

1 GANG 2 WAY

- CR1266** Female Co-Axial Direct Connection
- CR1268** Female Co-Axial Isolated
- CR1290** F-Type Satellite

Dimension

Height	86mm
Width	86mm
Plate Depth	9mm
Overall Depth	25mm

Back Box

Surface Moulded	9047
Flush Galvanised	SB655
Dry Lining	SB619



CR1230



CR1231



CR1232

TV/FM, CO-AXIAL AND SATELLITE SOCKETS

BS EN 60728-11

1 GANG

- CR1230** TV/FM DAB Diplexer
- CR1231** TV/FM DAB/SAT Triplexer
- CR1232** TV/FM DAB/SAT/SAT2 Quadplexer

Dimension

Height	86mm
Width	86mm
Plate Depth	9mm
Overall Depth	31mm

Back Box

Surface Moulded	9047
Flush Galvanised	SB655
Dry Lining	SB619



CR1233

CO-AXIAL AND TELEPHONE SOCKET

BS EN 60728-11, BS 6312, BS EN 41003

1 GANG

- CR1233** Co-Axial Male with Telephone Secondary

Dimension

Height	86mm
Width	86mm
Plate Depth	9mm
Overall Depth	27mm

Back Box

Surface Moulded	9047
Flush Galvanised	SB655
Dry Lining	SB619



CR1238



CR1240

TV/FM, CO-AXIAL, SATELLITE, TELEPHONE AND DATA

BS EN 60728-11, BS 6312, BS EN 41003

2 GANG

- CR1238** TV/FM DAB/SAT/SAT2 Quadplexer with Telephone Secondary
- CR1239** TV/FM DAB/SAT/SAT2 Quadplexer with RJ45 and Telephone Secondary
- CR1240** TV/FM DAB/SAT/SAT2 Quadplexer with Co-Axial Return and Secondary Telephone

Dimension

Height	86mm
Width	146mm
Plate Depth	9mm
Overall Depth	31mm

Back Box

Surface Moulded	9040
Flush Galvanised	SB665
Dry Lining	SB629



CR1291



CR1293

ANGLED KEYSTONE PLATE

BS 5733

1-4 GANG

- CR1291** 1 Gang 1 Module
- CR1292** 1 Gang 2 Module
- CR1293** 2 Gang 3 Module
- CR1294** 2 Gang 4 Module

Dimension

	1 Gang	2 Gang
Height	86mm	86mm
Width	86mm	146mm
Plate Depth	9mm	9mm
Overall Depth	25mm	25mm

Back Box

	1 Gang	2 Gang
Surface Moulded	9047	9040
Flush Galvanised	SB615	SB625
Dry Lining	SB619	SB629

For technical and dimensional data please refer to the Technical Information section



CR2291

ANGLED KEYSTONE GRID MODULE

BS 5733

1 GANG

- CR2291** Grid Interior for Keystone Modules

Dimension

Height	55mm
Width	24.5mm
Overall Depth	26mm



CR1315



CR1299



CR1297



CR1298



CR1313



CR1312



CR1310



CR1300



CR1302

TELEPHONE KEYSTONE MODULES

BS 6312, BS EN 41003

1 MODULE

- CR1315 Master
- CR1316 Secondary

DATA KEYSTONE MODULES

1 MODULE

- CR1295 RJ45 Category 5e
- CR1296 RJ45 Category 6
- CR1297 RJ45 Category 6a
- CR1298 RJ45 Category 7
- CR1299 RJ11

Dimension

Height	17mm
Width	17mm
Depth	35mm
Depth (Cat 7)	47mm

TV, FM AND SATELLITE KEYSTONE MODULES

BS EN 60728-11

1 MODULE

- CR1313 Co-Axial Male Direct Connection
- CR1311 Co-Axial Female Isolated
- CR1312 Co-Axial Female Direct Connection
- CR1310 F-Type Satellite

Dimension

Height	17mm
Width	17mm
Depth	35mm

HDMI AND USB KEYSTONE MODULES

1 MODULE

- CR1300 HDMI Keystone
- CR1301 USB Type A, Type 2.0
- CR1302 USB Type A, Type 3.0

Dimension

Height	17mm
Width	17mm
Depth	35mm



MODULE (EURO) PLATES

BS 5733

1-2 GANG (1-4 MODULE)

- CR1911** 1 Gang 1 Module
- CR1912** 1 Gang 2 Module
- CR1924** 2 Gang 4 Module

GREY MODULE (EURO) PLATES

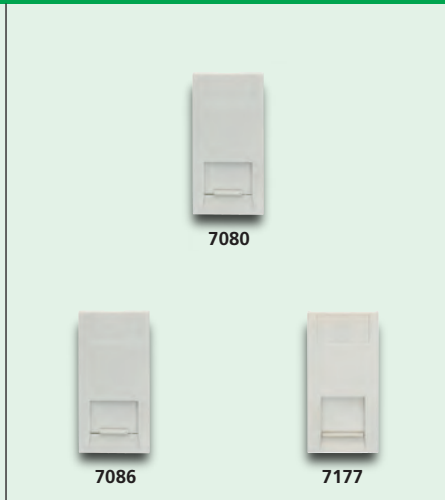
BS 5733

1-2 GANG (1-4 MODULE)

- CR1911/G** 1 Gang 1 Module
- CR1912/G** 1 Gang 2 Module
- CR1924/G** 2 Gang 4 Module

Dimension	1 Gang	2 Gang
Height	86mm	86mm
Width	86mm	146mm
Depth	9mm	9mm

Back Box	1 Gang	2 Gang
Surface Moulded	9043	9048
Flush Galvanised	SB655	SB665
Dry Lining	SB619	SB629



EURO TELEPHONE MODULES

1 MODULE

- 7080** Master
- 7071** Secondary
- 7086** RJ11

EURO DATA MODULES

1 MODULE

- 7172** RJ45 Category 5e
- 7177** RJ45 Category 6
- 7173** Twin RJ45 Category 5e

Dimension	
Height	50mm
Width	25mm
Depth	24mm



TV/FM AND SATELLITE MODULES

1 MODULE

- 7065** Male Co-Axial Direct Connection
- 7060** Male Co-Axial Outlet Screened
- 7067** Female Co-Axial Direct Connection
- 7069** F-Type Satellite
- 7074** BNC With 75 Ohm Crimp Connector
- 7087** Phono (Female)

2 MODULE

- 7066** TV/FM DAB/SAT/SAT2 Quadplexer

Dimension	1 Module	2 Module
Height	50mm	50mm
Width	25mm	50mm
Depth	26mm	26mm

For technical and dimensional data please refer to the Technical Information section



TV/FM AND SATELLITE MODULE

3 MODULE

7064 TV/FM DAB/SAT/SAT2 Quadplexer with Co-Axial Return

USB MODULES

BS EN 60950-1, BS EN 61000-6-1/3

1 & 2 MODULE

7072/WH 1 Module USB 2A 5v

7073 2 Module USB 2x1A 5v

SOCKET MODULES

BS 1363, BS 546

2 MODULE

CR1933 2A Round Pin Unswitched Socket

BLANK MODULES

BS 5733

½ - 2 MODULES

7081/2 ½ module

7081 1 module

7082 2 module

Dimension

Height	50mm
Width	75mm
Depth	26mm

Dimension

	1 Module	2 Module
Height	50mm	50mm
Width	25mm	50mm
Depth	35mm	34.5mm

Dimension

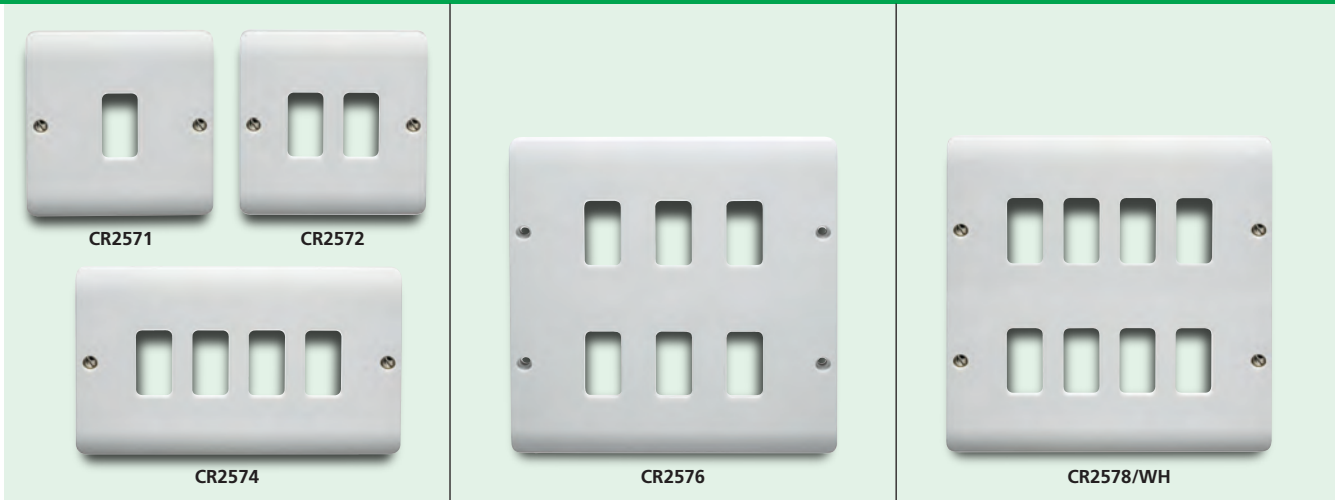
	1 Module	2 Module
Height	50mm	50mm
Width	25mm	50mm
Depth	6mm	6mm

INSTINCT MOULDED GRID SYSTEM





INSTINCT MOULDED GRID SYSTEM



GRID PLATES

BS 5733

1 -4 GANG

CR2571	1 Gang
CR2572	2 Gang
CR2573	3 Gang
CR2574	4 Gang

Dimension	1-2 Gang	3-4 Gang
Height	86mm	86mm
Width	86mm	146mm
Depth	9mm	9mm

Back Box	1-2 Gang	3-4 Gang
Surface Moulded	9047	9048
Flush Galvanised	SB655	SB665
Dry Lining	SB619	SB629

GRID PLATES

BS 5733

6 GANG

CR2576	6 Gang
---------------	--------

Dimension	
Height	146mm
Width	146mm
Depth	9mm

Back Box	
Flush Box	CR2206
Surface Box Plain	CR2206/PBG
Surface Box with Knockouts	CR2206/BG

GRID PLATES

BS 5733

8 - 12 GANG

CR2578/WH	8 Gang
CR2570/WH	12 Gang

Dimension 8 Gang

Height	146mm
Width	146mm
Depth	9mm

Back Box 8 Gang

Flush Box	CR2206
Surface Box Plain	CR2206/PBG
Surface Box with Knockouts	CR2206/BG

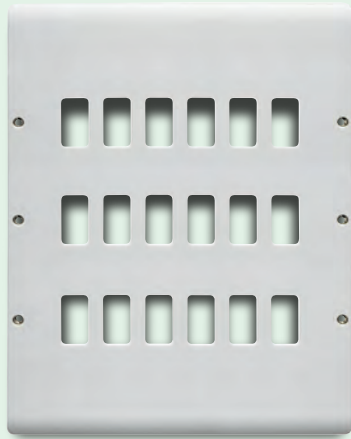
Dimension 12 Gang

Height	206.3mm
Width	146mm
Depth	9mm

Back Box 12 Gang

Flush Box	CR2209/BG
Surface Box Plain	CR2209/PBG
Surface Box with Knockouts	CR2209/BG

For technical and dimensional data please refer to the Technical Information section



CR2570/18WH

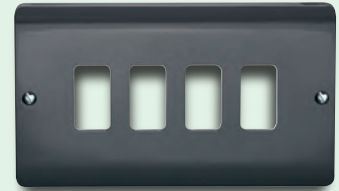


CR2591/WH



CR2571/G

CR2572/G



CR2574/G

GRID PLATES

BS 5733

18 - 24 GANG

CR2570/18WH 18 Gang

CR2570/24WH 24 Gang

ARCHITRAVE GRID PLATES

BS 5733 clause 17, 21

1 - 2 GANG

CR2591/WH 1 Gang

CR2592/WH 2 Gang

- Not compatible with standard grid switches

Architrave grid plates and switches are sold as a complete built up unit comprising of 20A 2 way, double pole or retractive switches.

Contact our technical department with your requirement.

GREY GRID PLATES

BS 5733

1 - 4 GANG

CR2571/G 1 Gang

CR2572/G 2 Gang

CR2573/G 3 Gang

CR2574/G 4 Gang

Dimension 18 Gang

Height	206.3mm
Width	266.6mm
Depth	9mm

Back Box 18 Gang

Flush Box	CR2209/18BG
Surface Box Plain	CR2209/18PBG
Surface Box with Knockouts	CR2209/18BG

Dimension 24 Gang

Height	206.3mm
Width	266.6mm
Depth	9mm

Back Box 24 Gang

Flush Box	CR2209/24BG
Surface Box Plain	CR2209/24PBG
Surface Box with Knockouts	CR2209/24BG

Dimension

	1 Gang	2 Gang
Height	86mm	146mm
Width	32mm	32mm
Depth	9mm	9mm

Back Box

	1 Gang	2 Gang
Surface Moulded	4005	4006
Flush Galvanised	9257	9258

Dimension

	1-2 Gang	3-4 Gang
Height	86mm	86mm
Width	86mm	146mm
Depth	9mm	9mm

Back Box

	1-2 Gang	3-4 Gang
Surface Moulded	9047	9048
Flush Galvanised	SB655	SB665
Dry Lining	SB619	SB629

For technical and dimensional data please refer to the Technical Information section

INSTINCT MOULDED GRID SYSTEM



CR2576/G

GREY GRID PLATES

BS 5733

6 GANG

CR2576/G 6 Gang

Dimension

Height	146mm
Width	146mm
Depth	9mm

Back Box

Flush Box	CR2206
Surface Box Plain	CR2206/PBG
Surface Box with Knockouts	CR2206/BG



CR2571/BG



CR2572/BG



CR2574/BG

GREY METALCLAD GRID PLATES

BS 5733

1-4 GANG

CR2571/BG 1 Gang

CR2572/BG 2 Gang

CR2573/BG 3 Gang

CR2574/BG 4 Gang

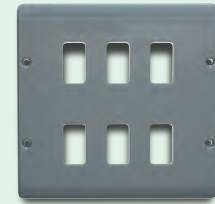
- Low smoke and fume (LSF) powder coat

Dimension

	1-2 Gang	3-4 Gang
Height	86mm	86mm
Width	86mm	146mm
Depth	9mm	9mm

Back Box

	1-2 Gang	3-4 Gang
Surface Box Plain	CR2201/PBG	CR2203/PBG
Surface Box with Knockouts	CR2201/BG	CR2203/BG
Flush Galvanised	SB655	SB665
Dry Lining	SB619	SB629



CR2576/BG



CR2578/BG

GREY METALCLAD GRID PLATES

BS 5733

6-8 GANG

CR2576/BG 6 Gang

CR2578/BG 8 Gang

- Low smoke and fume (LSF) powder coat

Dimension 6-8 Gang

Height	146mm
Width	146mm
Depth	9mm

Back Box 6-8 Gang

Flush Box	CR2206
Surface Box Plain	CR2206/PBG
Surface Box with Knockouts	CR2206/BG

For technical and dimensional data please refer to the Technical Information section



CR2570/BG

GREY METALCLAD GRID PLATES

BS 5733

9-12 GANG

- CR2579/BG 9 Gang
- CR2570/BG 12 Gang

- Low smoke and fume (LSF) powder coat

Dimension 9 & 12 Gang

Height	206.3mm
Width	146mm
Depth	9mm

Back Box 9 & 12 Gang

Flush Box	CR2209/BG
Surface Box Plain	CR2209/PBG
Surface Box with Knockouts	CR2209/BG



CR2570/24BG

GREY METALCLAD GRID PLATES

BS 5733

18-24 GANG

- CR2570/18BG 18 Gang
- CR2570/24BG 24 Gang

- Low smoke and fume (LSF) powder coat

Dimension 18 Gang

Height	266.6mm
Width	206.3mm
Depth	9mm

Back Box 18 Gang

Flush Box	CR2209/18BG
Surface Box Plain	CR2209/18PBG
Surface Box with Knockouts	CR2209/18BG

Dimension 24 Gang

Height	266.6mm
Width	206.3mm
Depth	9mm

Back Box 24 Gang

Flush Box	CR2209/24BG
Surface Box Plain	CR2209/24PBG
Surface Box with Knockouts	CR2209/24BG



CR2912



CR2934



CR2906

GRID YOKE FRAMES

BS 5733

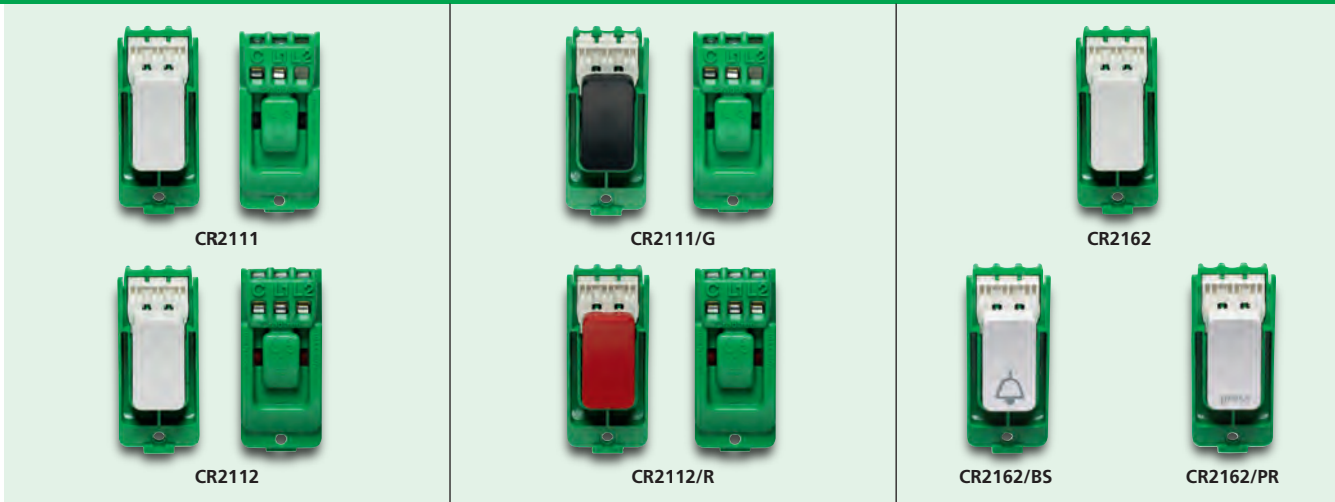
1 - 4 GANG

- CR2912 1 & 2 Gang
- CR2934 3 & 4 Gang

6 GANG

- CR2906 6 Gang

INSTINCT MOULDED GRID SYSTEM



10AX GRID SWITCHES

BS EN 60669-1

1 MODULE

- CR2111** 1 Way
- CR2112** 2 Way

10AX GREY GRID SWITCHES

BS EN 60669-1

1 MODULE

- CR2111/G** 1 Way
- CR2112/G** 2 Way

10AX RED GRID SWITCHES

BS EN 60669-1

1 MODULE

- CR2112/R** 2 Way

10A GRID SWITCHES

BS EN 60669-1

1 MODULE

- CR2162** Retractive
- CR2162/BS** Retractive printed with Bell Symbol
- CR2162/PR** Retractive printed with Press

• See page 66 for customised printing



CR2162/G

10A GREY GRID SWITCHES

BS EN 60669-1

1 MODULE

CR2162/G Retractive



CR2212



CR2216/ELT



CR2216



CR2225

20AX GRID SWITCHES

BS EN 60669-1

1 MODULE

- CR2211** 1 Way
- CR2212** 2 Way
- CR2215** Intermediate
- CR2216** 1 Way Secret Key
- CR2216/ELT** 1 Way Secret Key printed
Emergency Light Test
- CR2223** 2 Way Secret Key
- CR2223/ELT** 2 Way Secret Key printed
Emergency Light Test
- CR2225** Intermediate Secret Key

GRID SPARE KEY

BS EN 60669-1 where applicable

CR2940 Spare Grid Switch Key



CR2211/G



CR2212/R



CR2215/G

20AX GREY GRID SWITCHES

BS EN 60669-1

1 MODULE

- CR2211/G** 1 Way
- CR2212/G** 2 Way
- CR2215/G** Intermediate

20AX RED GRID SWITCHES

BS EN 60669-1

1 MODULE

CR2212/R 2 Way

INSTINCT MOULDED GRID SYSTEM



20A GRID SWITCHES

BS EN 60669-1

1 MODULE

- CR2211/D** DP
- CR2213/D** DP with LED
- CR2261/D** DP Push to Make
- CR2271/D** DP Push to Break
- CR2216/D** DP Secret Key
- CR2216/D/ELT** DP Secret Key printed
Emergency Light Test

20A GREY GRID SWITCHES

BS EN 60669-1

1 MODULE

- CR2211/D/G** DP
- CR2213D/G** DP complete with LED

20A RED GRID SWITCHES

BS EN 60669-1

1 MODULE

- CR2211/D/R** DP

20A DP GRID SWITCHES PRINTED

BS EN 60669-1

1 MODULE

- CR2211/D/BO** Printed BOILER
- CR2211/D/HD** Printed COOKER HOOD
- CR2211/D/DW** Printed DISHWASHER
- CR2211/D/EF** Printed EXTRACTOR FAN
- CR2211/D/FR** Printed FRIDGE
- CR2211/D/FZ** Printed FREEZER
- CR2211/D/FF** Printed FRIDGE FREEZER
- CR2211/D/FN** Printed FAN
- CR2211/D/HB** Printed HOB
- CR2211/D/HT** Printed HEATER
- CR2211/D/WM** Printed WASHING MACHINE
- CR2211/D/WH** Printed WATER HEATER
- CR2211/D/TD** Printed TUMBLE DRYER

• See page 66 for customised printing



20A DP GRID SWITCHES WITH LED PRINTED

BS EN 60669-1

1 MODULE

- CR2213/D/BO** Printed BOILER
- CR2213/D/HD** Printed COOKER HOOD
- CR2213/D/DW** Printed DISHWASHER
- CR2213/D/EF** Printed EXTRACTOR FAN
- CR2213/D/FR** Printed FRIDGE
- CR2213/D/FZ** Printed FREEZER
- CR2213/D/FF** Printed FRIDGE FREEZER
- CR2213/D/FN** Printed FAN
- CR2213/D/HB** Printed HOB
- CR2213/D/HT** Printed HEATER
- CR2213/D/WM** Printed WASHING MACHINE
- CR2213/D/WH** Printed WATER HEATER
- CR2213/D/TD** Printed TUMBLE DRYER

• See page 66 for customised printing

GRID DIMMER MODULES

BS EN 60669-2-1

1 MODULE

- CR2122** 50W - 250W 2 Way
- CR2124** 50W - 400W 2 Way
- CR2125/LED** 5W - 100W 2 Way Intelligent LED Dimmer

GRID FUSED CONNECTION UNIT MODULES

BS 5733

1 MODULE

- CR2828** 13A
- CR2828T** 13A with Tamperproof Screw
- CR2828/3A** 3A
- CR2828T/3A** 3A with Tamperproof Screw

INSTINCT MOULDED GRID SYSTEM



GRID CORD OUTLET MODULES

BS 5733

1 MODULE

CR2435 16A

GRID BLANK MODULES

BS 5733

1 MODULE

CR2001 White

CR2001/G Grey

GRID SPARE KEYS

CR2940 Spare Grid Switch Key

ANGLED KEYSTONE GRID MODULE

BS 5733

1 MODULE

CR2291 Grid Interior for Keystone Modules

This product allows the fitting of keystone modules into the Instinct Grid solution



CR1315



CR1299



CR1313



CR1300



CR1297



CR1298



CR1312



CR1310



CR1302

TELEPHONE KEYSTONE MODULES

BS 6312, BS EN 41003

1 MODULE

- CR1315** Master
- CR1316** Secondary

DATA KEYSTONE MODULES

1 MODULE

- CR1295** RJ45 Category 5e
- CR1296** RJ45 Category 6
- CR1297** RJ45 Category 6a
- CR1298** RJ45 Category 7
- CR1299** RJ11

Dimension

Height	17mm
Width	17mm
Depth	35mm
Depth (Cat 7)	47mm

TV/FM AND SATELLITE KEYSTONE MODULES

BS EN 60728-11

1 MODULE

- CR1313** Co-Axial Male Direct Connection
- CR1311** Co-Axial Female Isolated
- CR1312** Co-Axial Female Direct Connection
- CR1310** F-Type Satellite

Dimension

Height	17mm
Width	17mm
Depth	35mm

HDMI AND USB KEYSTONE MODULES

1 MODULE

- CR1300** HDMI Keystone
- CR1301** USB Type A, Type 2.0
- CR1302** USB Type A, Type 3.0

Dimension

Height	17mm
Width	17mm
Depth	35mm

INSTINCT MOULDED GRID SYSTEM



FLUSH MOUNTED GRID BOXES

BS 5733

1 - 8 GANG

- SB615** 1 & 2 Gang 35mm Flush Box
- SB625** 3 & 4 Gang 35mm Flush Box
- CR2206** 6 & 8 Gang Flush Box

Dimension 1 & 2 Gang

Height 68.3mm
Width 68.3mm
Depth 35mm

Dimension 3 & 4 Gang

Height 68.3mm
Width 129mm
Depth 35mm

Dimension 6 & 8 Gang

Height 128mm
Width 128mm
Depth 35mm



SURFACE MOUNTED GRID BOXES

BS 5733

12 - 24 GANG

- CR2209/BG** 9 & 12 Gang Surface Box
- CR2209/18BG** 18 Gang Surface Box
- CR2209/24BG** 24 Gang Surface Box

- Low smoke and fume (LSF) powder coat

Dimension 9 & 12 Gang

Height 203.6mm
Width 146mm
Depth 56mm

Dimension 18 & 24 Gang

Height 266.6mm
Width 206.3mm
Depth 56mm



SURFACE MOUNTED GRID BOXES

BS 5733

1 - 8 GANG WITH PLAIN SIDES

- CR2201/PBG** 1 & 2 Gang Surface Box
- CR2203/PBG** 3 & 4 Gang Surface Box
- CR2206/PBG** 6 & 8 Gang Surface Box

- Low smoke and fume (LSF) powder coat

Dimension 1 & 2 Gang

Height 85.6mm
Width 85.6mm
Depth 40mm

Dimension 3 & 4 Gang

Height 85.6mm
Width 146mm
Depth 40mm

Dimension 6 & 8 Gang

Height 146mm
Width 146mm
Depth 40mm

For technical and dimensional data please refer to the Technical Information section



CR2209/PBG

SURFACE MOUNTED GRID BOXES

BS 5733

9 - 24 GANG WITH PLAIN SIDES

CR2209/PBG 9 & 12 Gang Surface Box

CR2209/18PBG 18 Gang Surface Box

CR2209/24PBG 24 Gang Surface Box

- Low smoke and fume (LSF) powder coat

Dimension 9 & 12 Gang

Height 203.6mm

Width 146mm

Depth 56mm

Dimension 18 & 24 Gang

Height 266.6mm

Width 206.3mm

Depth 56mm



CR2201/BG



CR2203/BG



CR2206/BG

SURFACE MOUNTED GRID BOXES

BS 5733

1 - 8 GANG WITH KNOCKOUTS

CR2201/BG 1 & 2 Gang Surface Box

CR2203/BG 3 & 4 Gang Surface Box

CR2206/BG 6 & 8 Gang Surface Box

- Low smoke and fume (LSF) powder coat

Dimension 1 & 2 Gang

Height 85.6mm

Width 85.6mm

Depth 40mm

Dimension 3 & 4 Gang

Height 85.6mm

Width 146mm

Depth 40mm

Dimension 6 & 8 Gang

Height 146mm

Width 146mm

Depth 40mm



CR2209/BG

SURFACE MOUNTED GRID BOXES

BS 5733

9 - 24 GANG WITH KNOCKOUTS

CR2209/BG 9 & 12 Gang Surface Box

CR2209/18BG 18 Gang Surface Box

CR2209/24BG 24 Gang Surface Box

- Low smoke and fume (LSF) powder coat

Dimension 9 & 12 Gang

Height 203.6mm

Width 146mm

Depth 56mm

Dimension 18 & 24 Gang

Height 266.6mm

Width 206.3mm

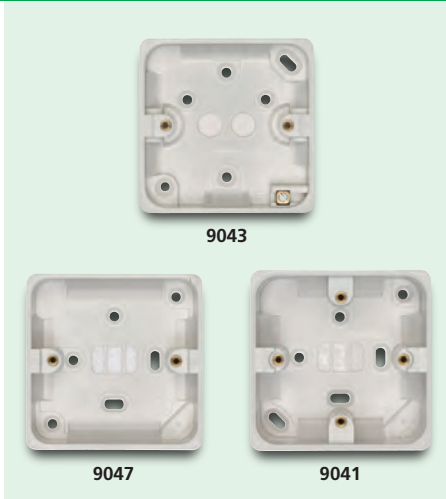
Depth 56mm

INSTINCT MOULDED BOXES & ANCILLARY ITEMS





INSTINCT MOULDED BOXES & ANCILLARY ITEMS



MOULDED BACK BOXES

BS 5733

1 GANG

- 9043** 20mm deep with earth terminal 10AX switches
- 9047** 29mm deep power and control
- 9041** 44mm deep Rockergrid 1 & 2 gang 15A sockets

Dimension

Height	87mm
Width	87mm
Depth	See Above

MOULDED BACK BOXES

BS 5733

CONVERSION 1 GANG TO 2 GANG

- CR1406** Converts 1 gang flush box to 2 gang surface box

Not for use with CR1306/USB/D USB Socket or Clean Earth products

Dimension

Height	87mm
Width	148mm
Depth	23mm

For technical and dimensional data please refer to the Technical Information section

MOULDED BACK BOXES

BS 5733

DUAL 1 GANG

- 9044** 29mm deep Dual Box fixed dividing barrier

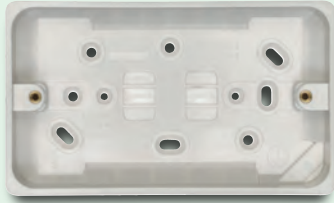
Dimension

Height	87mm
Width	147mm
Depth	29mm

INSTINCT MOULDED BOXES & ANCILLARY ITEMS



9040



9048

MOULDED BACK BOXES

BS 5733

2 GANG

- 9040** 34mm deep Rockergrid 3 & 4 gang 50A switches
- 9048** 29mm deep power & control
- 9048/1** 29mm deep power & control with earth terminal

Dimension

Height	87mm
Width	147mm
Depth	See Above



9054



9052

MOULDED BACK BOXES

BS 5733

OTHER

- 9054** 45mm deep slimline cooker Will accept 25mm x 16mm mini trunking fitted with cable clamp
- 9052** 45mm deep 45A cooker control units fitted with cable clamp
- 9053** 49mm deep shaver will accept 25mm x 16mm mini trunking

Dimension 9054

Height	89mm
Width	147mm
Depth	45mm

Dimension 9052

Height	115mm
Width	169mm
Depth	45mm

Dimension 9053

Height	147mm
Width	87mm
Depth	49mm



4005

MOULDED BACK BOXES

BS 5733

ARCHITRAVE 1 GANG

- 4005** 20mm deep will accept 16mm mini trunking

Dimension

Height	87mm
Width	33mm
Depth	20mm

For technical and dimensional data please refer to the Technical Information section

INSTINCT MOULDED BOXES & ANCILLARY ITEMS



4006

MOULDED BACK BOXES

BS 5733

ARCHITRAVE 2 GANG

4006 20mm deep will accept 16mm mini trunking



9049

MOULDED BACK BOXES

BS 5733

SKIRTING 1 GANG

9049 32mm deep



9050

MOULDED BACK BOXES

BS 5733

SKIRTING 2 GANG

9050 32mm deep

Dimension

Height	147mm
Width	33mm
Depth	20mm

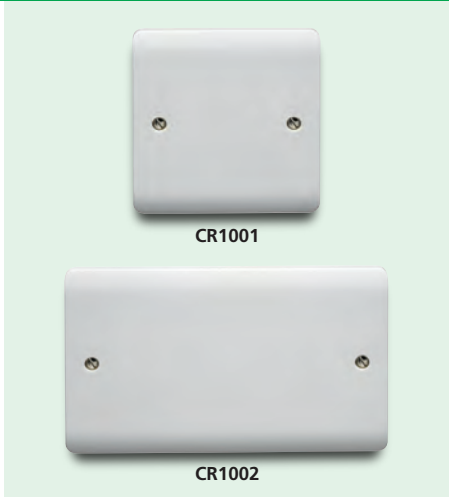
Dimension

Height	165mm
Width	88mm
Depth	32mm

Dimension

Height	165mm
Width	88mm
Depth	32mm

For technical and dimensional data please refer to the Technical Information section



BLANK PLATES

BS 5733

1 GANG

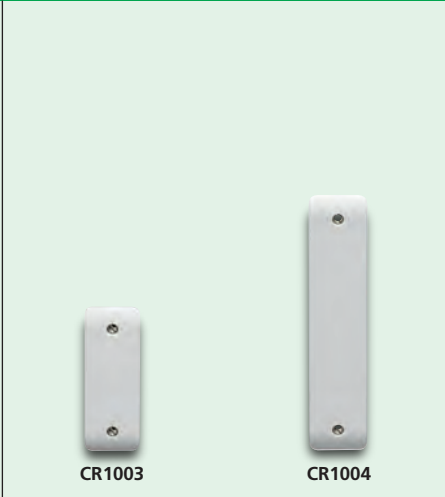
CR1001 1 Gang

2 GANG

CR1002 2 Gang

Dimension	1 Gang	2 Gang
Height	86mm	86mm
Width	86mm	146mm
Depth	9mm	9mm

Back Box	1 Gang	2 Gang
Surface Moulded	9043	9048
Flush Galvanised	SB623	SB633
Dry Lining	SB619	SB629



ARCHITRAVE BLANK PLATES

BS 5733

1 GANG

CR1003 1 Gang

2 GANG

CR1004 2 Gang

Dimension	1 Gang	2 Gang
Height	86mm	146.5mm
Width	32.5mm	32.5mm
Depth	9mm	9mm

Back Box	1 Gang	2 Gang
Surface Moulded	4005	4006
Flush Galvanised	9257/BG	9258/BG



GRID SPARE KEYS

CR2940 Spare Key for Keyswitch

CR2941 Spare Tamperproof Key

50A FLEX OUTLET / COOKER CONNECTION UNIT SPARE SAFETY COVER

CR1506/COVER Cover

VANDAL RESISTANT SCREWS

735009/SC/VR 20mm

735010/SC/VR 25mm

735011/SC/VR 30mm



Custom Laser Printing Service

Crabtree are able to offer a customised printing service to meet customer requirements and specification.

The printing is achieved by state of the art laser print technology to give a permanent, high quality print solution.

The laser is able to produce a clear defined print quality even with very small detailed requirements.

This solution is much improved over more traditional solutions such as tamper print as the print is not only indelible, but offers a superior finish and much quicker operation times as no drying time is required.



The flexibility of the laser is so great that Crabtree are able to offer a print service that goes beyond standard print requirements (i.e Washing Machine).

Print requirements such as Corporate or Company logos or individual location markings can now be achieved to a high standard upon request.

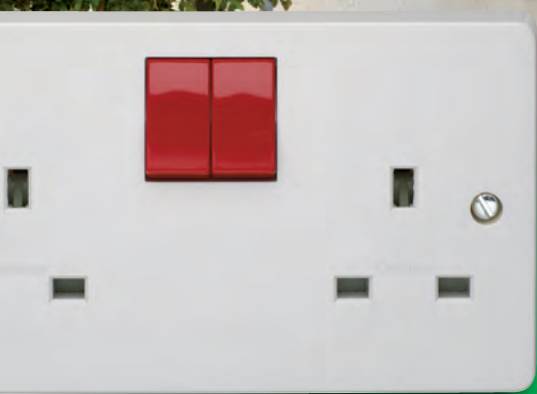
There are thousands of open source font types that are available to choose from as the print capabilities are not fixed to one type, font size and print location can also be varied upon request assuming it is available within the free product space

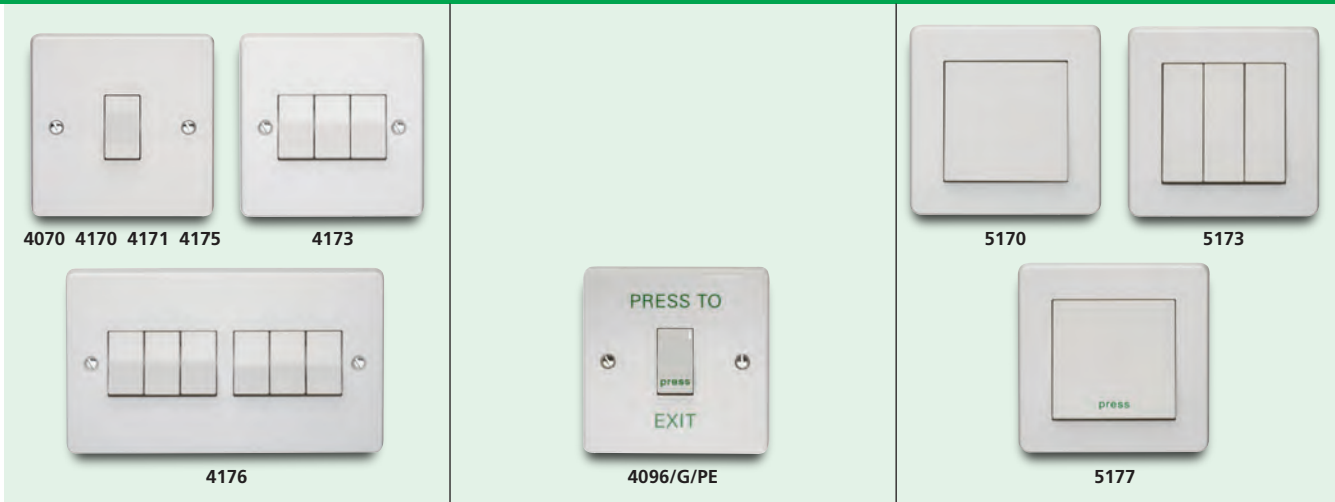
To take advantage of this printing service please contact your local sales representative or Crabtree sales department on 01543 455010



LASER PRINTED TO
CUSTOMER
SPECIFICATIONS







10AX PLATE SWITCHES

BS EN 60669-1

- 4070** 1 gang 1 way SP
- 4170** 1 gang 2 way SP
- 4171** 1 gang 1 way DP
- 4175** 1 gang intermediate
- 4172** 2 gang 2 way SP
- 4173** 3 gang 2 way SP
- 4174** 4 gang 2 way SP
- 4176** 6 gang 2 way SP

10A RETRACTIVE SWITCHES

BS EN 60669-1

- 4096/B** 1 gang 1 way SP marked with bell symbol
- 4096/2WB** 1 gang 2 way SP marked with bell symbol
- 4096/P** 1 gang 2 way SP marked 'press'
- 4096/P/RD** 1 gang 2 way SP marked 'press' with Red Rocker
- 4096/NM** 1 gang 2 way SP 'No markings'
- 4096/G/PE** 1 gang 2 way SP marked 'press to exit' in Green

10AX 'CORINTHIAN' PLATE SWITCHES

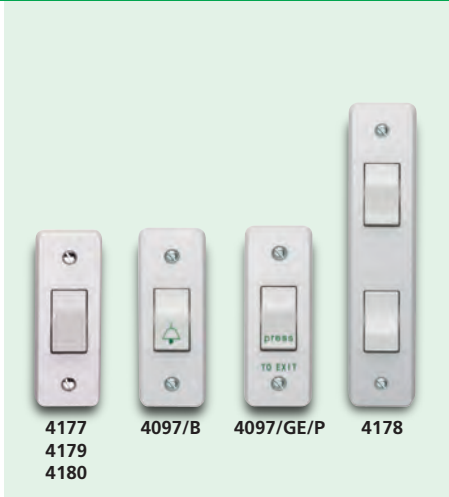
BS EN 60669-1

- 5170** 10AX 1 gang 2 way SP
- 5172** 10AX 2 gang 2 way SP
- 5173** 10AX 3 gang 2 way SP
- 5175** 20AX 1 gang intermediate
- 5177** 10A 1 gang retractive marked 'Press'
- 5176** 20AX 1 gang DP

10AX 'CORINTHIAN' PART M PLATE SWITCHES

BS EN 60669-1

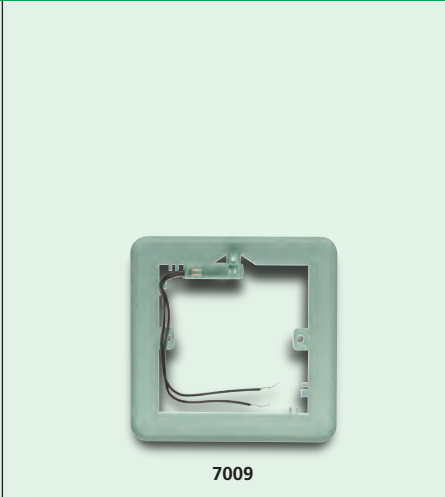
- 5170/GRY** 10AX 1 gang 2 way SP
- 5172/GRY** 10AX 2 gang 2 way SP
- 5173/GRY** 10AX 3 gang 2 way SP
- 5175/GRY** 20AX 1 gang Intermediate
- 5177/GRY** 10AX 1 gang retractive switch marked 'Press'



10AX ARCHITRAVE SWITCHES

BS EN 60669-1

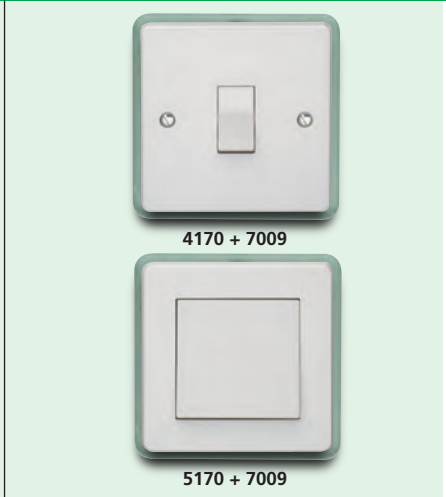
- 4097/B** 1 gang retractive SP marked with bell symbol
- 4097/P** 1 gang retractive SP marked 'press'
- 4097/GE/P** 1 gang retractive SP marked 'press to exit' in green
- 4177** 1 gang 2 way SP
- 4178** 2 gang 2 way SP
- 4179** 1 gang 1 way DP
- 4180** 1 gang intermediate



SEEKLIGHT

Seeklight will only illuminate when light control is off on a single pole circuit. On a Double pole circuit the Seeklight will be permanently on.
The light is an LED type, which has had a circuit board designed to reduce the pulse effect and give a constant light source
The Seeklight requires a filament type bulb to operate correctly.

- 7009** SEEKLIGHT



CAPITAL MOULDED SWITCHES

Seeklight will fit the following plates:

- 4070** 1 gang 1 way 10AX SP
- 4170** 1 gang 2 way 10AX SP
- 4171** 1 gang 1 way 10AX DP
- 4172** 2 gang 2 way 10AX SP
- 4173** 3 gang 2 way 10AX SP
- 4175** 1 gang Intermediate

CAPITAL CORINTHIAN SWITCHES

Seeklight will fit the following plates:

- 5170** 1 gang 2 way 10AX SP
- 5172** 2 gang 2 way 10AX SP
- 5173** 3 gang 2 way 10AX SP
- 5175** 1 gang Intermediate 20AX
- 5176** 1 gang 2 way 10AX DP
- 5177** 1 gang retractive 10A

ROCKERGRID MODULAR SYSTEM

Seeklight will fit the following plates:

- 5571** 1 gang grid front plate moulded
- 5572** 2 gang grid front plate moulded

For further Rockergrid items please see page XX

CAPITAL DIMMERS



DIMMER SWITCHES 250W

BS EN 55014-1 BS EN 60669-2-1

PUSH ON/OFF WITH ROTARY DIMMING

- 4130/PU** 1 gang 2 way 250W - Push on/off
- 4132/PU** 2 gang 2 way 250W - Push on/off

DIMMER SWITCHES 400W

BS EN 55014-1 BS EN 60669-2-1

PUSH ON/OFF WITH ROTARY DIMMING

- 4190/PU** 1 gang 2 way 400W - Push on/off
- 4192/PU** 2 gang 2 way 400W - Push on/off

DIMMER SWITCHES LED 5-100W

BS EN 60669-2-1 BS EN 55015
BS EN 61547 BS EN 6100-3-2
BS EN 6100-3-3

PUSH ON/OFF WITH ROTARY DIMMING

- 4130/PULED** 1 gang 2 way 5-100W - Push on/off
- 4132/PULED** 2 gang 2 way 5-100W - Push on/off

GRID DIMMERS

BS EN 55014-1 BS EN 60669-2-1

PUSH ON/OFF WITH ROTARY DIMMING

- 4425** 250W White
- 4425/BK** 250W Black
- 4440** 400W White
- 4440/BK** 400W Black

ILLUMINATED GRID DIMMERS

BS EN 55014-1 BS EN 60669-2-1

PUSH ON/OFF WITH ROTARY DIMMING

- 4425/BL** 250W White
- 4425/BKBL** 250W Black
- 4440/BL** 400W White
- 4440/BKBL** 400W Black

For grid yokes and grid plates see page XX



CAPITAL 1 GANG SOCKETS



4304/3D

13A 1G SWITCHED SOCKET OUTLETS

BS 1363-2

- 4304** 1 gang SP
- 4304/D** 1 gang DP
- 4304/3D** 1 gang DP fitted with neon indicator



4304/D/CE

13A 1G CLEAN EARTH SWITCHED SOCKET OUTLETS

BS 1363-2

- 4304/D/CE** 1 gang DP

For technical information on clean earth terminals please see page xxx



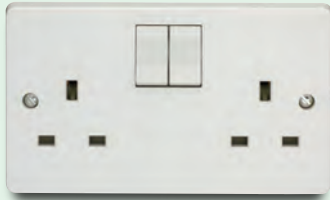
7255

13A 1G UNSWITCHED SOCKET OUTLETS

BS 1363-2

- 7255** 1 gang unswitched

CAPITAL 2 GANG SWITCHED SOCKETS

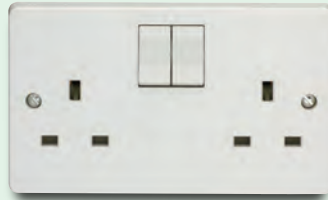


4306

13A 2G SWITCHED SOCKET OUTLETS

BS 1363-2

- 4306** 2 gang SP
- 4306/D** 2 gang DP
- 4306/3D** 2 gang DP fitted with neon indicator



4306/D/CE

13A 2G CLEAN EARTH SWITCHED SOCKET OUTLET

BS 1363-2

- 4306/D/CE** 2 gang DP



4306/WH/RD

13A 2G SWITCHED SOCKET OUTLET WITH RED ROCKER

BS 1363-2

- 4306/WH/RD** 2 gang DP

CAPITAL 2 GANG SWITCHED SOCKETS



4306/USB/D

13A 2G SWITCHED SOCKET OUTLET WITH 2.1A SHARED USB OUTLET

BS 1363-2

4306/USB/D 2 gang DP



4318/WH

MULTI MEDIA PLATE

BS 1363-2
BS 5733 (WHERE APPLICABLE)

4318/WH Multi Media Plate

The plate comprises 2 Dual Earth, Double pole, twin switched sockets and has provision for up to six Datapak (euro) modules.



4307

13A 2G SWITCHED SOCKET OUTBOARD ROCKERS

BS 1363-2

4307 2 gang DP outboard rockers
4307/3 2 gang DP outboard rockers with neon indicator

13A 2G CLEAN EARTH SWITCHED SOCKET OUTLETS

BS 1363-2

4307/D/CE 2 gang DP clean earth outboard rockers

CAPITAL 2 GANG SOCKETS



4307/RD

13A 2G SWITCHED SOCKET OUTBOARD RED ROCKERS

BS 1363-2

4307/RD 2 gang DP outboard rockers



4307/DCE/BLUE

13A 2G MEDICAL SWITCHED SOCKET OUTLETS

BS 1363-2

4307/DCE/BLUE 2 gang DP clean earth engraved 'MEDICAL EQUIPMENT ONLY'



7257

13A 2G UNSWITCHED SOCKET OUTLETS

BS 1363-2

7257 2 gang unswitched

CAPITAL OTHER SOCKETS



2330



2382

5A, 15A 1G SWITCHED SOCKET OUTLETS

BS 546

- 2330** 5A Shuttered SP
- 2382** 15A Shuttered SP



7047



7046

2A, 5A 1G SOCKET OUTLETS

BS 546 WHERE APPLICABLE

- 7046** 2A Unswitched shuttered
- 7047** 5A Unswitched shuttered



7062

15A 125V 2G AMERICAN STANDARD SOCKET OUTLETS

NEMA CONFIGURATION 5-15

- 7062** 2 gang Horizontal



7222/WH

13A FUSED RESILIENT PLUGS

BS 1363-1

7222/WH Fused at 13A – White



13NP

13A NON-INTERCHANGEABLE PLUGS

BS 1363-1 WHERE APPLICABLE

13NP Fused at 13A – White



7011



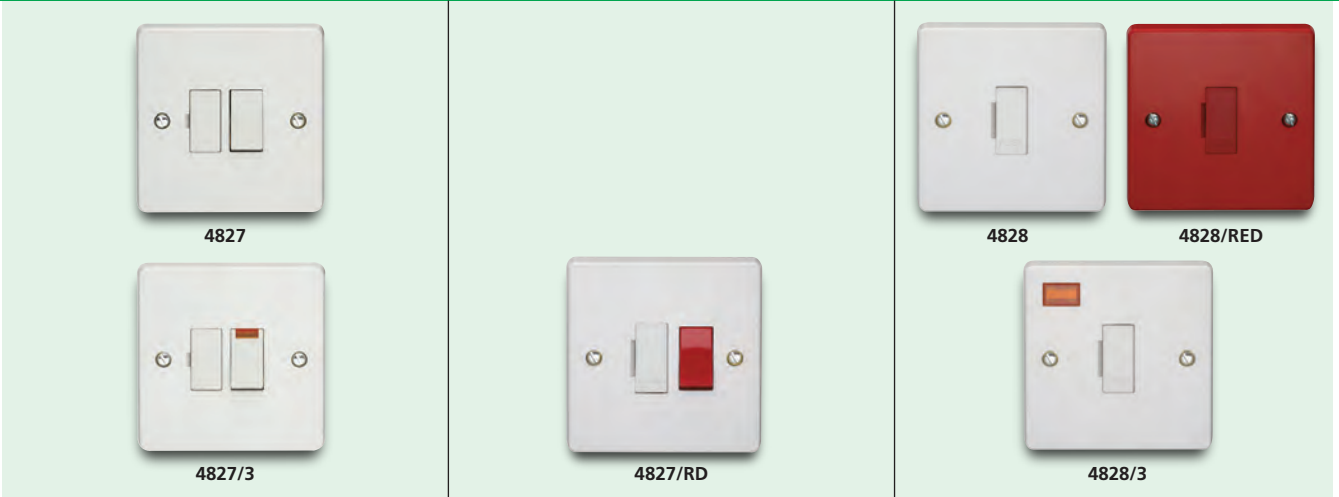
7111

2A, 5A, 15A PLUGS

BS 546

7011 2A
7111 5A
7211 15A

CAPITAL FUSED CONNECTION UNITS



13A SWITCHED FUSED CONNECTION UNITS

BS 1363-4

- 4827** DP Switched
- 4827/3** DP Switched with neon indicator

13A SWITCHED FUSED CONNECTION UNIT WITH RED ROCKER

BS 1363-4

- 4827/RD** DP Switched

13A UNSWITCHED FUSED CONNECTION UNITS

BS 1363-4

- 4828** Unswitched
- 4828/3** Unswitched with neon indicator

13A UNSWITCHED FUSED CONNECTION UNIT WITH RED FRONT PLATE

BS 1363-4

- 4828/RED** Unswitched



4018

3A CARD SWITCH

BS 5733

4018 3A Card Switch



4017

6A THREE POLE CONTROL SWITCHES

BS EN 60669-1 BS EN 60947-3

4017 6A Three pole isolating switch marked with isolator symbol
4017/1 6A Three pole isolating switch marked with isolator and fan symbol



4015



4015/31

20A DP CONTROL SWITCHES

BS EN 60669-1

4015 20A DP Control Switch
4015/3 20A DP Control Switch fitted with neon indicator
4015/31 20A DP Control Switch fitted with neon indicator and marked 'water heater'



4013/3

32A DP CONTROL SWITCH

BS EN 60669-1

4013/3 32A DP Control Switch fitted with neon indicator



4016



4016/3

45A DP CONTROL SWITCHES

BS EN 60669-1

4016 45A DP Control Switch
4016/3 45A DP Control Switch fitted with neon indicator

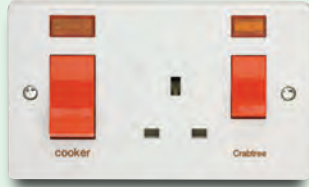


4500/31

50A DP CONTROL SWITCHES

BS EN 60669-1

4500 50A 2G DP Control Switch
4500/1 50A 2G DP Control Switch marked 'cooker'
4500/3 50A 2G DP Control Switch fitted with neon indicator
4500/31 50A 2G DP Control Switch marked 'cooker' and fitted with neon indicator

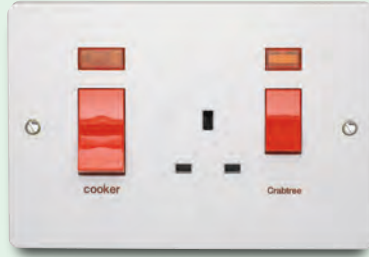


4521/31

45A DP COOKER CONTROL UNITS

BS 4177 & BS 1363-2

- 4521/1** 45A DP main switch and 13A switch socket outlet. Faceplate marked 'cooker'
- 4521/31** 45A DP main switch and 13A switch socket with neon indicators. Faceplate marked 'cooker'



4520/31

45A DP LARGE COOKER CONTROL UNITS

BS 4177 & BS 1363-2

- 4520/1** 45A DP main switch and 13A switch socket outlet. Faceplate marked 'cooker'
- 4520/31** 45A DP main switch and 13A switch socket with neon indicators. Faceplate marked 'cooker'



4523/3

50A DP COOKER CONTROL UNITS

BS EN 60669-1

- 4523** 50A DP Control Switch marked 'cooker'
- 4523/3** 50A DP Control Switch marked 'cooker' and fitted with neon indicator
- 4211/BLANK** Blank Faceplate



2167

50A CEILING SWITCHES

BS EN 60669-1

2167 1 way DP with neon and mechanical indicator



4506 4507

45A CABLE OUTLETS

BS 5733

4506 45A Cable Outlet with terminals and cable clamp

Terminals will accept 2 x 10mm² cable

4507 45A Cable Outlet with cable clamp

Cable clamp will accept 1 x 16mm² through cable

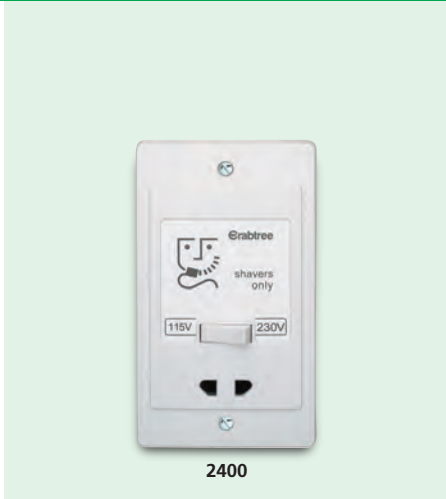


4075

20A CORD OUTLET

BS 5733

4075 20A Cord Outlet with cable clamp



2400

SHAVER SUPPLY UNIT

BSEN 61558-2-5

2400	input	240V 50Hz
	output	115V 50Hz
		240V 50Hz



2402/E

LIGHT & SHAVER UNIT

BS EN 61558-2-5, BS 4533-102.1

2402/E	input	240V 50Hz
	output	115V 50Hz
		240V 50Hz

4W 284mm LED lamp



4001

4003

4002

4004

BLANKING PLATES

BS 5733 WHERE APPLICABLE

4001	1 gang
4002	2 gang
4003	1 gang architrave
4004	2 gang architrave



4827/WM



4827/3/TD



4015/ST



4828/AC



4828/3/IA



4015/HT

PRODUCT MARKING SERVICE

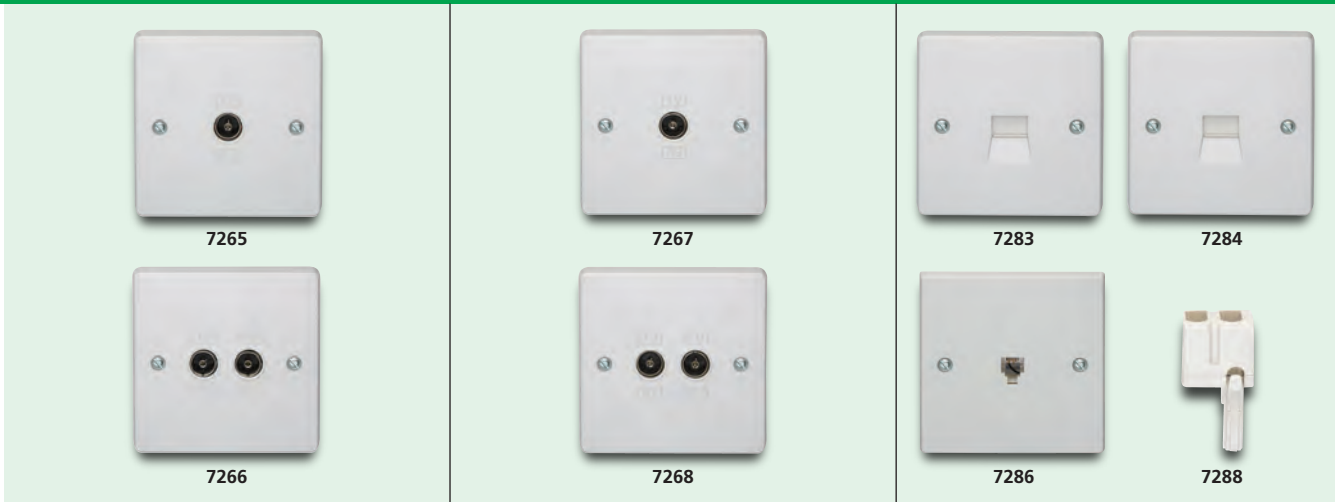
A wide range of markings can be added to 13A fused connection units and double pole control switches. The majority of these markings are consistent in style, colour and position with the standard Tampo-printed 'water heater' marking on List No.4015/31.

To order any of the markings listed below, add suffix to List No. ie 4827 marked 'fridge freezer' = 4827/FF.

These popular markings are offered on a fast track service in the standard wiring accessories colour. For price and delivery information on other markings not listed above, contact our Technical Services Department.

MARKING	SUFFIX	MARKING	SUFFIX	MARKING	SUFFIX
air conditioner	AC	fridge/freezer	FF	pelmet light	PEL
alarm	AL	fan heater	FH	plinth heater	PLH
appliance	APP	fire	FI	panel heater	PH
bathroom	BA	fan	FN	refrigerator	RF
bell transformer	BE	fridge	FR	security alarm	SA
bathroom extract fan	BEF	freezer	FZ	socket below	SB
bathroom heater	BH	gas ignition	GI	smoke detector	SD
boiler	BO	garden shed	GS	security equipment	SE
boiler supply	BOS	hand dryer	HA	saniflo	SF
boost	BST	hob	HB	shower	SH
British Telecom	BT	cooker hood	HD	security light	SL
caravan	CA	heating	HG	shower pump	SP
CCTV	CCTV	hair dryer	HI	storage heater	ST
central heating	CH	heating isolator	HS	steam cabinet	STC
cooker	CK	heater	HT	stair lift	STL
cupboard light	CL	humidity vent	HV	tanning cabinet	TC
convector heater	CNH	intruder alarm	IA	tumble dryer	TD
day boost	DB	immersion heater	IH	towel rail	TR
detector	DE	infra red sauna	IRS	traditional sauna	TS
downflow heater	DH	jacuzzi	JA	TV amplifier	TVA
door bell	DO	kitchen extract fan	KEF	underfloor heating	UH
dish washer	DW	light	LG	underlights	UL
dryer	DY	lift	LI	vent fan	VF
emergency circuit	EC	loft light	LL	water heater	WA
extractor fan	EF	microwave	MW	water cooler	WC
extractor hood	EH	night immersion	NI	waste disposal	WD
fire alarm	FA	off peak	OFFP	washing machine	WM
for cleaners use only	FCO	outside light	OL	washer	WS
fan coil unit	FCU	on peak	ONP		
feature fire	FE	oven	OV		

For technical and dimensional data please refer to the Technical Information section



CO-AXIAL SOCKET OUTLETS-DIRECT CONNECTION

BS 3041 WHERE APPLICABLE

- 7265** 1 way direct connection
- 7266** 2 way direct connection

CO-AXIAL SOCKET OUTLETS-ISOLATED

BS 3041 WHERE APPLICABLE

- 7267** 1 way isolated UHF, VHF
- 7268** 2 way isolated UHF, VHF

TELEPHONE SOCKET OUTLETS

BS 7671

- 6915** IDC tool
- 7283** Single master
- 7284** Single secondary
- 7286** RJ11 Telephone socket
- 7288** Dual outlet adaptor

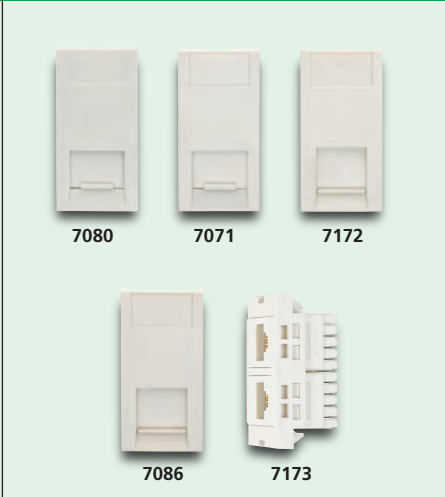
DATAPAK MOULDED PLATES & EURO MODULES



MOUNTING PLATES CAPITAL

BS 5733 WHERE APPLICABLE

- 7091** 2 module moulded
- 7094** 4 module moulded



COMMUNICATION MODULES

- 7080** BT Master Voice
- 7071** BT secondary Voice, 6 wire
- 7172** RJ45 (single) module, 8 wire – Category 5e
- 7177** RJ45 (single) module, 8 wire – Category 6
- 7086** RJ11/12
- 7173** RJ45 (Twin) module

Also available in Black - Add suffix BK to list No. i.e BT Master in Black = 7080/BK

Dimensions
1 Module - 25mm x 50mm



DATA, CO-AXIAL AND BLANK MODULES

- 7074** BNC single module with 75 Ohm crimp connector
- 7065** TV outlet (male) FM
- 7067** TV outlet (female) TV
- 7069** F type Satellite
- 7064*** Quadplexer with TV return (TV, TV return, FM, Sat1 & Sat2)
- 7066** Quadplexer (TV, FM, Sat1 & Sat2)
- 7060** TV outlet screened, return
- 7072/WH** USB single 1 x 2A 5V
- 7073** USB dual 2 x 1A 5V
- 7087** Phono (Female)

* Not available in Black

BLANK MODULES & ACCESSORIES

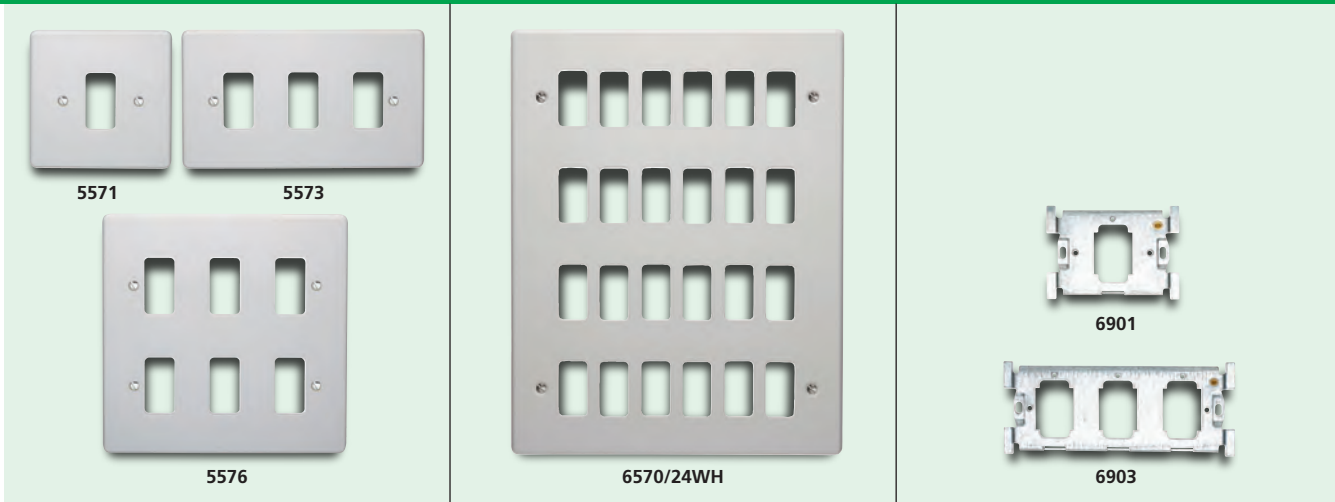
- 7081/2** ½ module size
- 7081** 1 module size
- 7082** 2 module size

Also available in Black - Add suffix BK to list No. i.e USB unit in Black = 7073/BK

Dimensions
1 Module - 25mm x 50mm
2 Module - 50mm x 50mm
7064 - 75mm x 50mm

7081/2 - 12.5mm x 50mm
7081 - 25mm x 50mm
7082 - 50mm x 50mm

ROCKERGRID FLUSH MOULDED FRONT PLATES



FLUSH MOULDED GRID PLATES

- 5571** 1 gang
- 5572** 2 gang
- 5573** 3 gang
- 5574** 4 gang
- 5576** 6 gang

FLUSH METAL GRID PLATES

- 6578/WH** 8 gang
- 6579/WH** 9 gang
- 6570/WH** 12 gang
- 6570/18WH** 18 gang
- 6570/24WH** 24 gang

GRIDS

- 6901** 1 gang
- 6902** 2 gang
- 6903** 3 gang
- 6904** 4 gang
- 6906** 6 gang



4430
4530

4490



4430/BK
4530/BK

4430/RD



4436

4435

4492



4493

4491

10AX SWITCHES – MOULDED ROCKER

BS EN 60669-1

- 4430** 1 way SP
- 4530** 2 way SP
- 4489** Retractive 10A
- 4489/P** Retractive 10A marked "Press"
- 4490** Retractive – bell symbol 10A
- 4553** Retractive 2 way and off 10A

10AX SWITCHES – BLACK OR RED MOULDED ROCKER

BS EN 60669-1

- 4430/BK or RD** 1 way SP
- 4530/BK** 2 way SP
- 4490/BK** Retractive – bell symbol 10A

ACCESSORIES – MOULDED

BS 5733 WHERE APPLICABLE

- 4436** Fuse unit fitted with 13A ASTA certified fuse link
- 4435** Cord outlet – 10mm diameter aperture, complete with earthing terminal and cable clamp
- 4492** Blanking component
- 4491** Indicator – Red
- 4493*** Indicator – Green
- 4494** Indicator – Amber

Available as made to order in black - Add suffix BK to list No. i.e. Cord outlet in black = 4435/BK

* Not available in black

ROCKERGRID 20AX MOULDED GRID SWITCHES



20AX SWITCHES – MOULDED ROCKER

BS EN 60669-1

4450	1 way
4451	1 way complete with key
4451/ELT	1 way with key marked "Emergency Lighting Test"
4460	Double Pole
4461	DP complete with key
4461/ELT	DP with key marked "Emergency Lighting Test"
4469	DP marked 'ON'
4535	Intermediate
4535/KEY	Intermediate complete with key
4550	2 way
4551	2 way complete with key
4551/ELT	2 way with key marked "Emergency Lighting Test"
4552	2 way and off
6940	Spare key

20AX SWITCHES – BLACK OR RED MOULDED ROCKER

BS EN 60669-1

4450/BK or RD	1 way
4460/BK	Double Pole
4535/BK or RD	Intermediate
4550/BK or RD	2 way

20AX DOUBLE POLE SWITCH MARKING

BS EN 60669-1

4460/BO	boiler
4460/DW	dishwasher
4460/FR	fridge
4460/FF	fridge freezer
4460/HT	heating system
4460/TD	tumble dryer
4460/WDR	washer dryer
4460/WA	water heater
4460/HD	cooker hood
4460/EF	extractor fan
4460/FZ	freezer
4460/HB	hob
4460/MW	microwave
4460/WD	waste disposal
4460/WM	washing machine

ROCKERGRID BACK BOXES



4425/BC



4440/BKBL

250W GRID DIMMER SWITCH

BS EN 55014-1, BS EN 60669-2-1

- 4425** 50 - 250W 2 Way White
- 4425/BK** 50 - 250W 2 Way Black
- 4425/BL** 50 - 250W 2 Way White Illuminated
- 4425/BKBL** 50 - 250W 2 Way Black Illuminated

400W GRID DIMMER SWITCH

BS EN 55014-1, BS EN 60669-2-1

- 4440** 50 - 400W 2 Way White
- 4440/BK** 50 - 400W 2 Way Black
- 4440/BL** 50 - 400W 2 Way White Illuminated
- 4440/BKBL** 50 - 400W 2 Way Black Illuminated



9201/BG



9206/BG

BOXES

- 9201/BG** 1 and 2 gang surface or flush
- 9203/BG** 3 and 4 gang surface or flush
- 9206/BG** 6 and 8 gang surface or flush
- 9209/BG** 9 and 12 gang surface or flush
- 9209/18BG** 18 gang surface or flush
- 9209/24BG** 24 gang surface or flush
- 9341/GV** 1 gang architrave flush only
- 9342/GV** 2 gang architrave flush only

16mm knock-outs in 1 and 2 gang box and architrave boxes.

20mm and 25mm knock-outs in 3–24 gang boxes.



9201/PBG



9206/PBG

BOXES LESS KNOCKOUTS

- 9201/PBG** 1 and 2 gang surface or flush
- 9203/PBG** 3 and 4 gang surface or flush
- 9206/PBG** 6 and 8 gang surface or flush
- 9209/PBG** 9 and 12 gang surface or flush
- 9209/18PBG** 18 gang surface or flush
- 9209/24PBG** 24 gang surface or flush

MOULDED CEILING MOUNTED LIGHTING & CONTROL







2041



2141

6AX CEILING SWITCH

BS EN 60669-1

1 WAY

2041 1 way

2 WAY

2141 2 way



2147

6AX CEILING SWITCH

BS EN 60669-1

RETRACTIVE

2147 Retractive



2161

16AX CEILING SWITCH

BS EN 60669-1

2 WAY

2161 2 way

Dimension

Diameter 70mm
Depth 70mm

Back Box

Dry Lining SB639

Dimension

Diameter 70mm
Depth 70mm

Back Box

Dry Lining SB639

Dimension

Diameter 70mm
Depth 70mm

Back Box

Dry Lining SB639

For technical and dimensional data please refer to the Technical Information section



16A CEILING SWITCH

BS EN 60669-1

DOUBLE POLE

2163 DP with Neon

Dimension

Diameter 70mm
Depth 70mm

Back Box

Dry Lining SB639



50A CEILING SWITCH

BS EN 60669-1

DOUBLE POLE

2167 DP with Neon and Indicator

Dimension

Diameter 99mm
Depth 78mm



PULL CORD

WHITE CORD AND RED ACORN

6900 1.5 meters

WHITE CORD ONLY

6900/2 100 meter roll

WHITE CORD AND RED ACORN

6900/1RD 2 meters

RED CORD AND WHITE ACORN

6900/1 2 meters

CEILING SWITCH ACORN

7410WH White

7410RD Red



STANDARD PENDANT SETS

BS 67, BS EN 61184, T2 RATING

3450 6" (150mm) flex

3450/9 9" (225mm) flex

Dimension (Ceiling Rose)

Diameter 92mm
Depth 23mm



HEAVY DUTY SAFETY PENDANT SET

BS 67, BS EN 61184, T2 RATING

5856 6" (150mm) flex

Dimension (Ceiling Rose)

Diameter 81mm
Depth 21mm



SAFETY PENDANT SETS (STANDARD CEILING ROSE)

BS 67, BS EN 61184, T2 RATING

5855/S 6" (150mm) flex

5855/S9 9" (225mm) flex

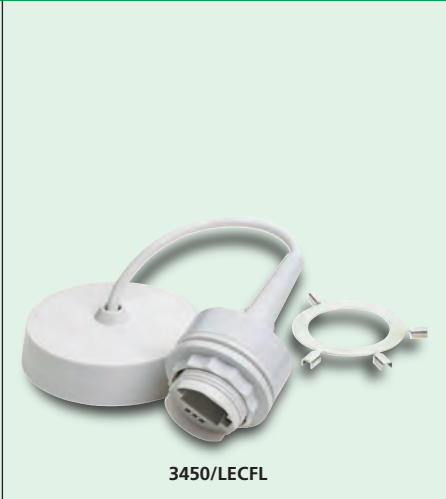
5855/S12 12" (300mm) flex

Dimension (Ceiling Rose)

Diameter 92mm
Depth 23mm



5855



3450/LECFL



3410

3420

3422

**SAFETY PENDANT SETS
(SAFETY CEILING ROSE)**

BS 67, BS EN 61184, T2 RATING

- 5855 6" (150mm) flex
- 5855/9 9" (225mm) flex
- 5855/12 12" (300mm) flex

LOW ENERGY LAMP HOLDERS

BS EN 61184:2008

- 3450/LECFL 6" (150mm) flex. Safety Pendant & Ceiling Rose Set

**STRAIGHT STANDARD BATTEN
LAMP HOLDER**

BS EN 61184, T2 RATING

SHORT SKIRT

- 3410 3 Terminal
- 3420 Integral terminal block

**STANDARD BATTEN
LAMP HOLDER**

BS EN 61184, T2 RATING

HOME OFFICE SKIRT

- 3422 Integral terminal block

Dimension (Ceiling Rose)

Diameter	92mm
Depth	23mm

Dimension Short Skirt Lampholder

Diameter	64.2mm
Height	56mm

**Dimension Home Office Skirt
Lampholder**

Diameter	89mm
Height	75mm

For technical and dimensional data please refer to the Technical Information section

MOULDED CEILING MOUNTED LIGHTING & CONTROL



ANGLED STANDARD BATTEN LAMPHOLDER

BS EN 61184, T2 RATING

HOME OFFICE SKIRT

3432 Integral terminal block

SAFETY STRAIGHT STANDARD BATTEN LAMPHOLDER

BS EN 61184, T2 RATING

HOME OFFICE SKIRT

5851 Safety batten lampholder
Integral terminal block

STANDARD PENDANT LAMPHOLDER

BS EN 61184, T2 RATING

3442 Spring plungers

SAFETY PENDANT LAMPHOLDER

BS EN 61184, T2 RATING

5850 Push & rotate plungers

Dimension

Diameter 92mm
Height 71mm

Dimension

Diameter 38mm
Height 67mm

Dimension

Diameter 37.5mm
Height 68mm

For technical and dimensional data please refer to the Technical Information section



3443

STANDARD CEILING ROSE

BS 67

3443 Integral terminal block

Dimension

Diameter 92mm
Height 23mm



5861

HEAVY DUTY CEILING ROSE

BS 67

5861 Two screw cover giving secure fixing
15kg load capacity

Dimension

Diameter 81mm
Height 21mm



5860

SAFETY CEILING ROSE

BS 67

5860 Integral terminal block
Push fit connection between base and ceiling rose

Dimension

Diameter 92mm
Height 21mm
46mm (including Cable Retainer)



20A JUNCTION BOXES

BS 60670-22

4 TERMINAL

3462/WH White

3462/BK Black

30A JUNCTION BOXES

BS 60670-22

4 TERMINAL

3463/WH White

3463/BK Black

ACCESSORIES

REPLACEMENT SHIELD

3401 Replacement Short Skirt

5801 Replacement Home Office Skirt

CEILING HALO

3443/HALO Ceiling Halo

Dimension

Diameter 75mm
Height 28mm

Dimension

Diameter 88mm
Height 37mm

For technical and dimensional data please refer to the Technical Information section



5001

3 PIN CEILING ASSEMBLY

BS 7001 & BS 5733

5001 Ceiling Assembly complete with socket, plug & cover

Dimension
Diameter 81mm



5002

3 PIN CEILING ASSEMBLY

BS 7001 & BS 5733

HEAT RESISTANT CABLE

- 5002** 2 Meter 1.0mm² Cabled Ceiling Assembly
- 5002/3** 3 Meter 1.0mm² Cabled Ceiling Assembly
- 5002/5** 5 Meter 1.0mm² Cabled Ceiling Assembly

LOW SMOKE AND FUME CABLE

- 5017** 2 Meter 1.0mm² Cabled Ceiling Assembly
- 5017/3** 3 Meter 1.0mm² Cabled Ceiling Assembly
- 5017/5** 5 Meter 1.0mm² Cabled Ceiling Assembly

Dimension
Diameter 81mm



5009



5009/RED

4 PIN CEILING ASSEMBLY

BS 7001 & BS 5733

WHITE

5009 Ceiling Assembly complete with socket, red plug & cover

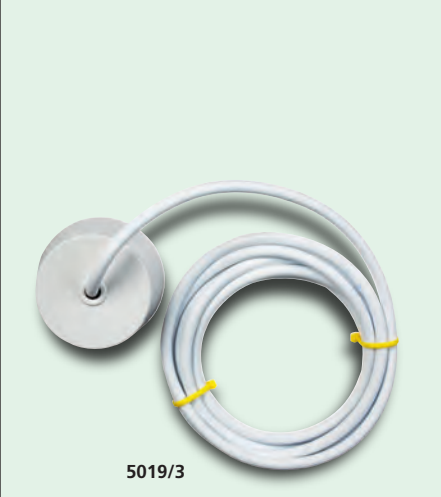
RED

5009/RED Ceiling Assembly complete with socket, red plug & red cover

Dimension
Diameter 81mm



5018/5



5019/3



5006

5010

4 PIN CEILING ASSEMBLY

BS 7001 & BS 5733

HEAT RESISTANT CABLE

- 5018** 2 Metre 1.0mm² Cabled Ceiling Assembly
- 5018/3** 3 Metre 1.0mm² Cabled Ceiling Assembly
- 5018/5** 5 Metre 1.0mm² Cabled Ceiling Assembly

4 PIN CEILING ASSEMBLY

BS 7001 & BS 5733

LOW SMOKE AND FUME CABLE

- 5019** 4 Pin 2 Metre 1.0mm² Cabled Ceiling Assembly
- 5019/3** 4 Pin 3 Metre 1.0mm² Cabled Ceiling Assembly

3 PIN LSC PLUGS

BS 7001

WHITE PLUGS

- 5006** 3 pin LSC plug

4 PIN LSC PLUGS

BS 7001

RED PLUGS

- 5010** 4 pin LSC plug

Dimension

Diameter 81mm

Dimension

Diameter 81mm

For technical and dimensional data please refer to the Technical Information section



3 PIN LSC PLUGS

BS 7001

HEAT RESISTANT CABLE

- 5006/2** White Plug with 2 Metre
1.0mm² Cable
- 5006/3** White Plug with 3 Metre
1.0mm² Cable
- 5006/4** White Plug with 4 Metre
1.0mm² Cable

4 PIN LSC PLUGS

BS 7001

HEAT RESISTANT CABLE

- 5010/2** Red Plug with 2 Metre
1.0mm² Cable
- 5010/3** Red Plug with 3 Metre
1.0mm² Cable
- 5010/4** Red Plug with 4 Metre
1.0mm² Cable
- 5010/5** Red Plug with 5 Metre
1.0mm² Cable

3 & 4 PIN CEILING OUTLETS

BS 7001 & BS 5733

3 PIN

- 5003** 3 pin LSC socket

4 PIN

- 5011** 4 pin LSC socket

Dimension

Diameter 81mm



5001/CVR

ACCESSORIES AND SPARES

BS 7001 & BS 5733

5001/CVR White Cover for LSC
5005 Surface Mounting Pattress



6004

OCCUPANCY SENSORS

EN 55015:2006 + A1:2007
 EN 61547:1995 + A1:2000
 EN 61000-3-2:2006
 EN 61000-3-2:1995 + A1:2001 + A2:2005
 EN 60669-2-1:2004 + C1:2007 clause 26
 EN 60669-2-1:2004 + C1:2007
 EN 60669-1:1999 + A1:2002 + A2:2008 exc clause 19.102

101.1.1.2
 101.3

MASTER CEILING MOTION SENSOR
6004



6005

OCCUPANCY SENSORS

EN 55015:2006 + A1:2007
 EN 61547:1995 + A1:2000
 EN 61000-3-2:2006
 EN 61000-3-2:1995 + A1:2001 + A2:2005
 EN 60669-2-1:2004 + C1:2007 clause 26
 EN 60669-2-1:2004 + C1:2007
 EN 60669-1:1999 + A1:2002 + A2:2008 exc clause 19.102

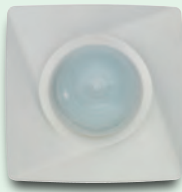
101.1.1.2
 101.3

SLAVE CEILING MOTION SENSOR
6005

Dimension

Diameter 83mm

For technical and dimensional data please refer to the Technical Information section



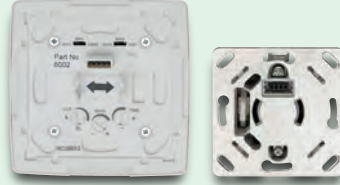
6001



Rear view of product 6001



6002



Rear view of product 6002



6003



SB632

OCCUPANCY SENSORS

EN 60669-1:1999 + A1:2002 + A2:2008
 EN 60669-2:2004 + A1:2009
 EN 55015:2006 + A1:2007 + A2:2009
 EN 61000-3-2:2006
 EN 61000-3-3:2008
 EN 61547:1995 + A1:2000

CEILING MOTION SENSOR

6001 24 meter radius

OCCUPANCY SENSORS

EN 60669-1:1999 + A1:2002 + A2:2008
 EN 60669-2:2004 + A1:2009
 EN 55015:2006 + A1:2007 + A2:2009
 EN 61000-3-2:2006
 EN 61000-3-3:2008
 EN 61547:1995 + A1:2000

CORRIDOR MOTION SENSOR

6002 24 meter radius

MOUNTING BOX

SURFACE MOUNTED

6003 1 Gang Mounted Box

FLUSH MOUNTED

SB632 1 Gang 47mm Dry Lining Box







CR1172/G



CR1272/G



CR1304/D/G



CR1303/D/G



CR1307/D/G



CR1827/G



CR1827F/G

10AX SWITCHES

BS EN 60669-1

1 GANG

CR1172/G 2 Way

2 GANG

CR1272/G 2 Way

• Grid Solution available for 20AX, Intermediate, Retractive and DP Solutions

13A DP SWITCHED SOCKETS DUAL EARTH

BS 1363-2

1 GANG

CR1304/D/G Switched Socket

CR1303/D/G Complete with LED

OUTBOARD ROCKER

2 GANG

CR1307/D/G Switched Socket

CR1308/D/G Complete with LED

13A SWITCHED DP FUSED CONNECTION UNITS

BS 1363-4

1 GANG

CR1827/G Switched FCU

CR1827F/G Complete with Flex Outlet

Dimension

Height	86mm
Width	86mm
Depth	9mm
Overall Depth (including rocker)	23mm

Back Box

Surface Moulded	9043
Flush Galvanised	SB623
Dry Lining	SB619

Dimension

	1 Gang	2 Gang
Height	86mm	86mm
Width	86mm	146mm
Depth	9mm	9mm
Overall Depth (including rocker)	30mm	29mm

Back Box

	1 Gang	2 Gang
Surface Moulded	9047	9048
Flush Galvanised	SB655	SB665
Dry Lining	SB619	SB629

Dimension

Height	86mm
Width	86mm
Depth	9mm
Overall Depth (including rocker)	29mm

Back Box

Surface Moulded	9047
Flush Galvanised	SB655
Dry Lining	SB619

For technical and dimensional data please refer to the Technical Information section



CR1826/G



CR1826F/G

13A SWITCHED DP FUSED CONNECTION UNITS COMPLETE WITH LED

BS 1363-4

1 GANG

- CR1826/G** Switched FCU
- CR1826F/G** Complete with Flex Outlet

Dimension

Height	86mm
Width	86mm
Depth	9mm
Overall Depth (including rocker)	29mm

Back Box

Surface Moulded	9047
Flush Galvanised	SB655
Dry Lining	SB619



CR1015/G

20A DP SWITCH

BS EN 60669-1

1 GANG

- CR1015/G** DP Switch
- CR1014/G** Complete with LED

Dimension

Height	86mm
Width	86mm
Depth	9mm
Overall Depth (including rocker)	25mm

Back Box

Surface Moulded	9047
Flush Galvanised	SB655
Dry Lining	SB619



CR1017/G

50A DP SWITCH

BS EN 60669-1

1 GANG

- CR1016/G** DP Switch
- CR1017/G** Complete with LED

Dimension

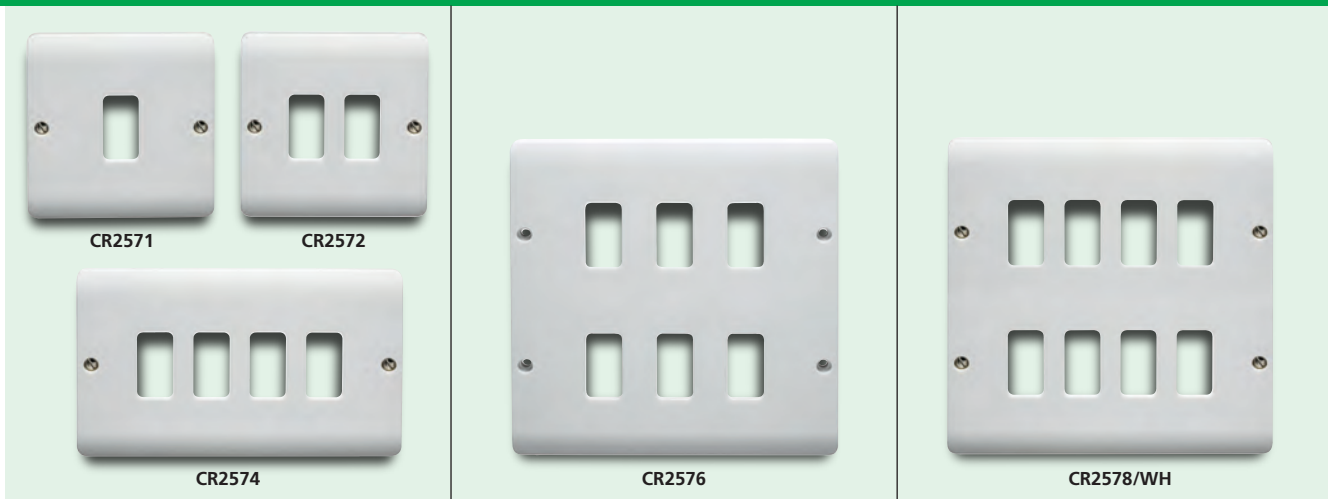
Height	86mm
Width	86mm
Depth	9mm
Overall Depth (including rocker)	38mm

Back Box

Surface Moulded	9041
Flush Galvanised	SB618
Dry Lining	SB632

For technical and dimensional data please refer to the Technical Information section

INSTINCT MOULDED GRID



GRID PLATES

BS 5733

1 -4 GANG

CR2571	1 Gang
CR2572	2 Gang
CR2573	3 Gang
CR2574	4 Gang

Dimension	1-2 Gang	3-4 Gang
Height	86mm	86mm
Width	86mm	146mm
Depth	9mm	9mm

Back Box	1-2 Gang	3-4 Gang
Surface Moulded	9047	9048
Flush Galvanised	SB655	SB665
Dry Lining	SB619	SB629

GRID PLATES

BS 5733

6 GANG

CR2576	6 Gang
---------------	--------

Dimension	
Height	146mm
Width	146mm
Depth	9mm

Back Box	
Flush Box	CR2206
Surface Box Plain	CR2206/PBG
Surface Box with Knockouts	CR2206/BG

For technical and dimensional data please refer to the Technical Information section

GRID PLATES

BS 5733

8 - 12 GANG

CR2578/WH	8 Gang
CR2570/WH	12 Gang

Dimension 8 Gang

Height	146mm
Width	146mm
Depth	9mm

Back Box 8 Gang

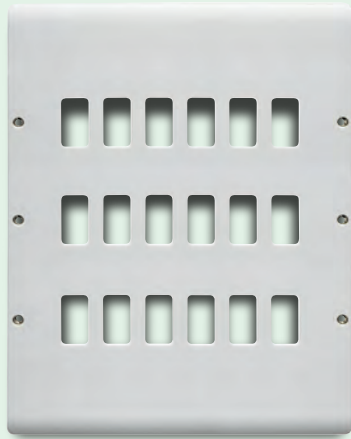
Flush Box	CR2206
Surface Box Plain	CR2206/PBG
Surface Box with Knockouts	CR2206/BG

Dimension 12 Gang

Height	206.3mm
Width	146mm
Depth	9mm

Back Box 12 Gang

Flush Box	CR2209/BG
Surface Box Plain	CR2209/PBG
Surface Box with Knockouts	CR2209/BG



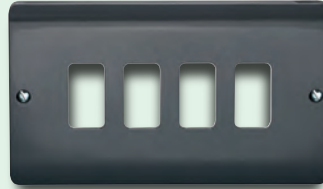
CR2570/18WH



CR2571/G



CR2572/G



CR2574/G



CR2576/G

GRID PLATES

BS 5733

18 - 24 GANG

CR2570/18WH 18 Gang

CR2570/24WH 24 Gang

GREY GRID PLATES

BS 5733

1 - 4 GANG

CR2571/G 1 Gang

CR2572/G 2 Gang

CR2573/G 3 Gang

CR2574/G 4 Gang

GREY GRID PLATES

BS 5733

6 GANG

CR2576/G 6 Gang

Dimension 18 Gang

Height	206.3mm
Width	266.6mm
Depth	9mm

Back Box 18 Gang

Flush Box	CR2209/18BG
Surface Box Plain	CR2209/18PBG
Surface Box with Knockouts	CR2209/18BG

Dimension 24 Gang

Height	206.3mm
Width	266.6mm
Depth	9mm

Back Box 24 Gang

Flush Box	CR2209/24BG
Surface Box Plain	CR2209/24PBG
Surface Box with Knockouts	CR2209/24BG

Dimension	1-2 Gang	3-4 Gang
Height	86mm	86mm
Width	86mm	146mm
Depth	9mm	9mm

Back Box	1-2 Gang	3-4 Gang
Surface Moulded	9047	9048
Flush Galvanised	SB655	SB665
Dry Lining	SB619	SB629

Dimension	
Height	146mm
Width	146mm
Depth	9mm

Back Box	
Flush Box	CR2206
Surface Box Plain	CR2206/PBG
Surface Box with Knockouts	CR2206/BG

For technical and dimensional data please refer to the Technical Information section

INSTINCT MOULDED GRID



GREY METALCLAD GRID PLATES

BS 5733

1-4 GANG

- CR2571/BG** 1 Gang
- CR2572/BG** 2 Gang
- CR2573/BG** 3 Gang
- CR2574/BG** 4 Gang

• Low smoke and fume (LSF) powder coat



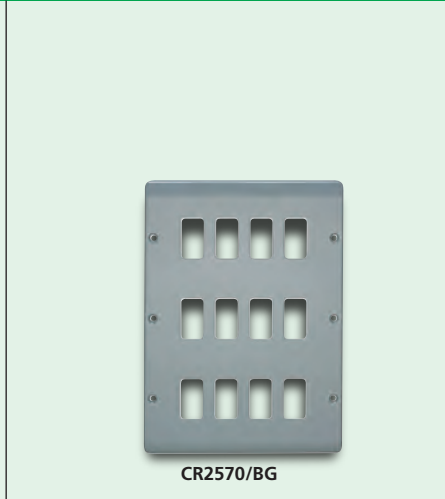
GREY METALCLAD GRID PLATES

BS 5733

6-8 GANG

- CR2576/BG** 6 Gang
- CR2578/BG** 8 Gang

• Low smoke and fume (LSF) powder coat



GREY METALCLAD GRID PLATES

BS 5733

9-12 GANG

- CR2579/BG** 9 Gang
- CR2570/BG** 12 Gang

• Low smoke and fume (LSF) powder coat

Dimension	1-2 Gang	3-4 Gang
Height	86mm	86mm
Width	86mm	146mm
Depth	9mm	9mm

Back Box	1-2 Gang	3-4 Gang
Surface Box Plain	CR2201/PBG	CR2203/PBG
Surface Box with Knockouts	CR2201/BG	CR2203/BG
Flush Galvanised	SB655	SB665
Dry Lining	SB619	SB629

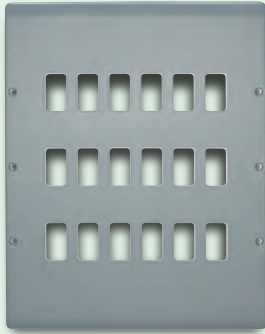
Dimension 6-8 Gang	
Height	146mm
Width	146mm
Depth	9mm

Back Box 6-8 Gang	
Flush Box	CR2206
Surface Box Plain	CR2206/PBG
Surface Box with Knockouts	CR2206/BG

Dimension 12 Gang	
Height	206.3mm
Width	146mm
Depth	9mm

Back Box 12 Gang	
Flush Box	CR2209/BG
Surface Box Plain	CR2209/PBG
Surface Box with Knockouts	CR2209/BG

For technical and dimensional data please refer to the Technical Information section



CR2570/18BG

GREY METALCLAD GRID PLATES

BS 5733

18 GANG

CR2570/18BG 18 Gang

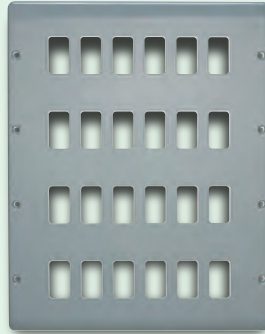
- Low smoke and fume (LSF) powder coat

Dimension 18 Gang

Height	266.6mm
Width	206.3mm
Depth	9mm

Back Box 18 Gang

Flush Box	CR2209/18BG
Surface Box Plain	CR2209/18PBG
Surface Box with Knockouts	CR2209/18BG



CR2570/24BG

GREY METALCLAD GRID PLATES

BS 5733

24 GANG

CR2570/24BG 24 Gang

- Low smoke and fume (LSF) powder coat

Dimension 24 Gang

Height	266.6mm
Width	206.3mm
Depth	9mm

Back Box 24 Gang

Flush Box	CR2209/24BG
Surface Box Plain	CR2209/24PBG
Surface Box with Knockouts	CR2209/24BG



CR2912



CR2934



CR2906

GRID YOKE FRAMES

BS 5733

1 - 4 GANG

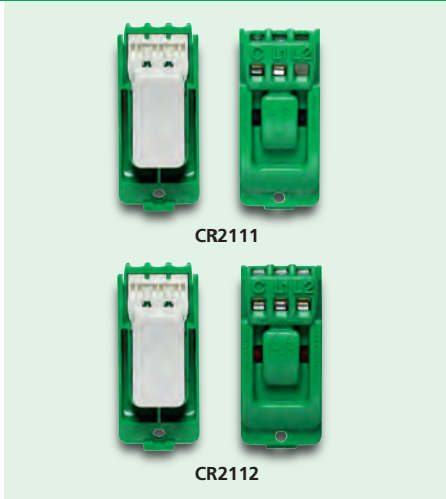
CR2912 1 & 2 Gang

CR2934 3 & 4 Gang

6 GANG

CR2906 6 Gang

INSTINCT PART M GRID SWITCHES

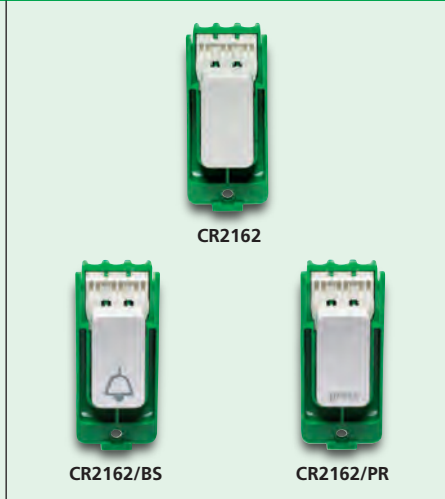


CR2111

CR2112



CR2111/G



CR2162

CR2162/BS

CR2162/PR

10AX GRID SWITCHES

BS EN 60669-1

1 MODULE

CR2111 1 Way

CR2112 2 Way

10AX GREY GRID SWITCHES

BS EN 60669-1

1 MODULE

CR2111/G 1 Way

CR2112/G 2 Way

10A RETRACTIVE GRID SWITCHES

BS EN 60669-1

1 MODULE

CR2162 2 Way

CR2162/BS 2 Way printed with Bell Symbol

CR2162/PR 2 Way printed with Press

• See page 66 for customised printing

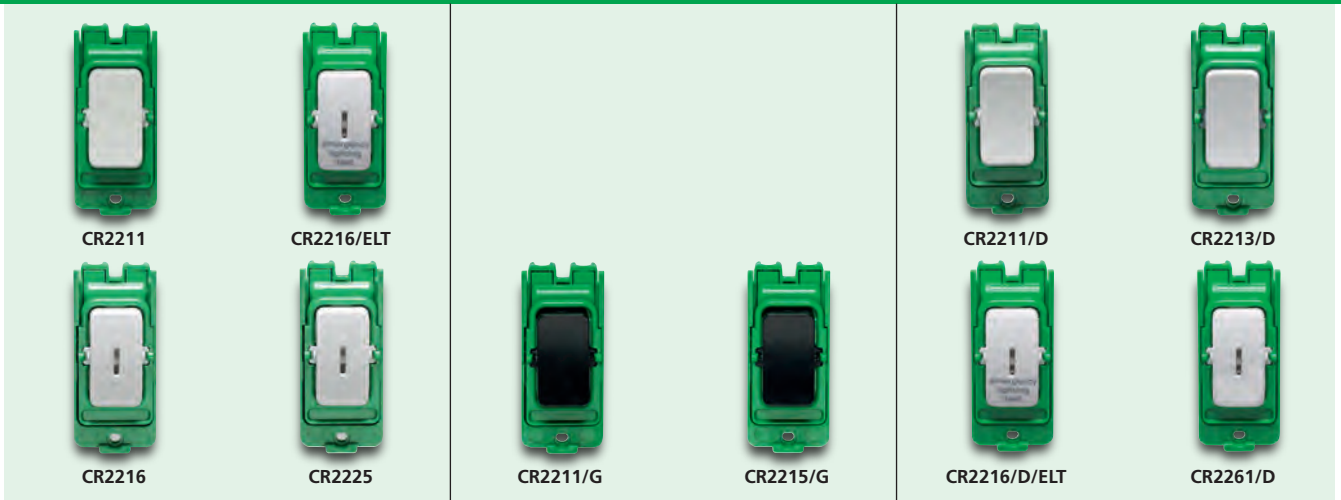
10A GREY GRID SWITCHES

BS EN 60669-1

1 MODULE

CR2162/G 2 Way

INSTINCT PART M GRID SWITCHES



20AX GRID SWITCHES

BS EN 60669-1

1 MODULE

- CR2211** 1 Way
- CR2212** 2 Way
- CR2215** Intermediate
- CR2216** 1 Way Secret Key
- CR2216/ELT** 1 Way Secret Key printed
Emergency Light Test
- CR2223** 2 Way Secret Key
- CR2223/ELT** 2 Way Secret Key printed
Emergency Light Test
- CR2225** Intermediate Secret Key

GRID SPARE KEY

- CR2291** Spare Grid Switch Key

20AX GREY GRID SWITCHES

BS EN 60669-1

1 MODULE

- CR2211/G** 1 Way
- CR2212/G** 2 Way
- CR2215/G** Intermediate

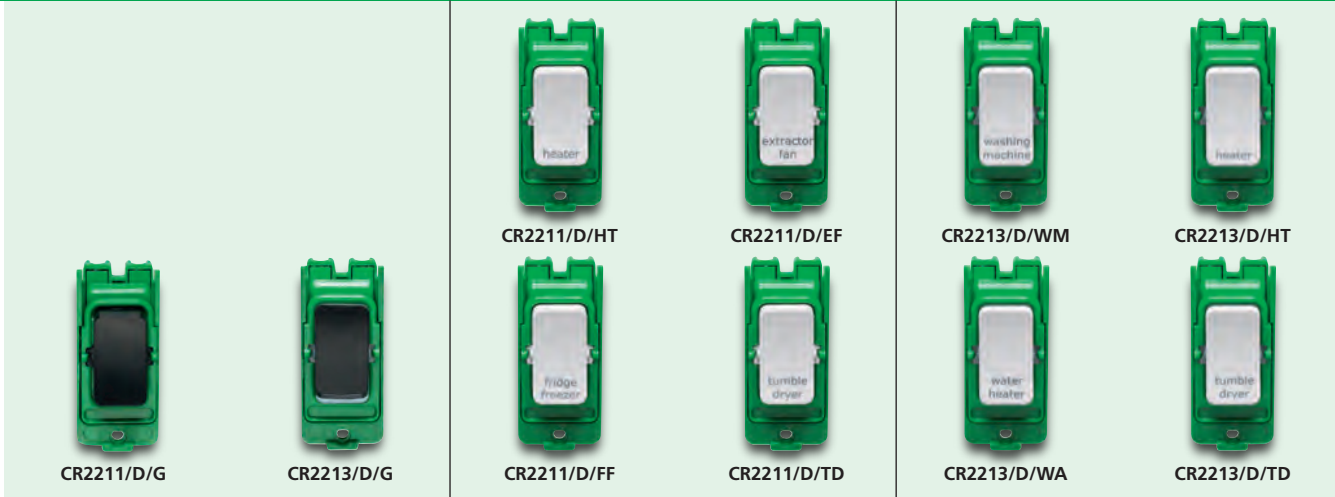
20A GRID SWITCHES

BS EN 60669-1

1 MODULE

- CR2211/D** DP
- CR2213/D** DP with LED
- CR2261/D** DP Push to Make
- CR2271/D** DP Push to Break
- CR2216/D** DP Secret Key
- CR2216/D/ELT** DP Secret Key printed
Emergency Light Test

INSTINCT PART M GRID SWITCHES



20A GREY GRID SWITCHES

BS EN 60669-1

1 MODULE

- CR2211/D/G DP
- CR2213/D/G DP with LED

20A DP PRINTED WHITE GRID SWITCHES

BS EN 60669-1

1 MODULE

- CR2211/D/BO Printed BOILER
- CR2211/D/HD Printed COOKER HOOD
- CR2211/D/DW Printed DISHWASHER
- CR2211/D/EF Printed EXTRACTOR FAN
- CR2211/D/FR Printed FRIDGE
- CR2211/D/FZ Printed FREEZER
- CR2211/D/FF Printed FRIDGE FREEZER
- CR2211/D/FN Printed FAN
- CR2211/D/HB Printed HOB
- CR2211/D/HT Printed HEATER
- CR2211/D/WM Printed WASHING MACHINE
- CR2211/D/WA Printed WATER HEATER
- CR2211/D/TD Printed TUMBLE DRYER

• See page 66 for customised printing

20A DP PRINTED WHITE GRID SWITCHES WITH LED

BS EN 60669-1

1 MODULE

- CR2213/D/BO Printed BOILER
- CR2213/D/HD Printed COOKER HOOD
- CR2213/D/DW Printed DISHWASHER
- CR2213/D/EF Printed EXTRACTOR FAN
- CR2213/D/FR Printed FRIDGE
- CR2213/D/FZ Printed FREEZER
- CR2213/D/FF Printed FRIDGE FREEZER
- CR2213/D/FN Printed FAN
- CR2213/D/HB Printed HOB
- CR2213/D/HT Printed HEATER
- CR2213/D/WM Printed WASHING MACHINE
- CR2213/D/WA Printed WATER HEATER
- CR2213/D/TD Printed TUMBLE DRYER

• See page 66 for customised printing



GRID DIMMER MODULES

BS EN 60669-2-1

1 MODULE

- CR2122** 50W - 250W 2 Way
- CR2124** 50W - 400W 2 Way
- CR2125/LED** 5W - 100W 2 Way Intelligent LED Dimmer

GRID FUSED CONNECTION UNIT MODULES

BS 5733

1 MODULE

- CR2828** 13A
- CR2828T** 13A with Tamperproof Screw
- CR2828/3A** 3A
- CR2828T/3A** 3A with Tamperproof Screw

GRID CORD OUTLET MODULES

BS 5733

1 MODULE

- CR2435** 16A

GRID BLANK MODULES

BS 5733

1 MODULE

- CR2001** White
- CR2001/G** Grey

GRID SPARE KEYS

- CR2940** Spare Grid Switch Key



CR2291

ANGLED KEYSTONE GRID MODULE

BS 5733

1 GANG

CR2291 Grid Interior for Keystone Modules

This product allows the fitting of keystone modules into the Instinct Grid solution



CR1315



CR1297



CR1298

TELEPHONE KEYSTONE MODULES

BS 6312, BS EN 41003

1 MODULE

CR1315 Master

CR1316 Secondary

DATA KEYSTONE MODULES

1 MODULE

CR1295 RJ45 Category 5e

CR1296 RJ45 Category 6

CR1297 RJ45 Category 6a

CR1298 RJ45 Category 7

CR1299 RJ11



CR1313



CR1300



CR1302

TV/FM AND SATELLITE KEYSTONE MODULES

BS EN 60728-11

1 MODULE

CR1313 Coaxial Male Direct Connection

CR1311 Coaxial Female Isolated

CR1312 Coaxial Female Direct Connection

CR1310 F-Type Satellite

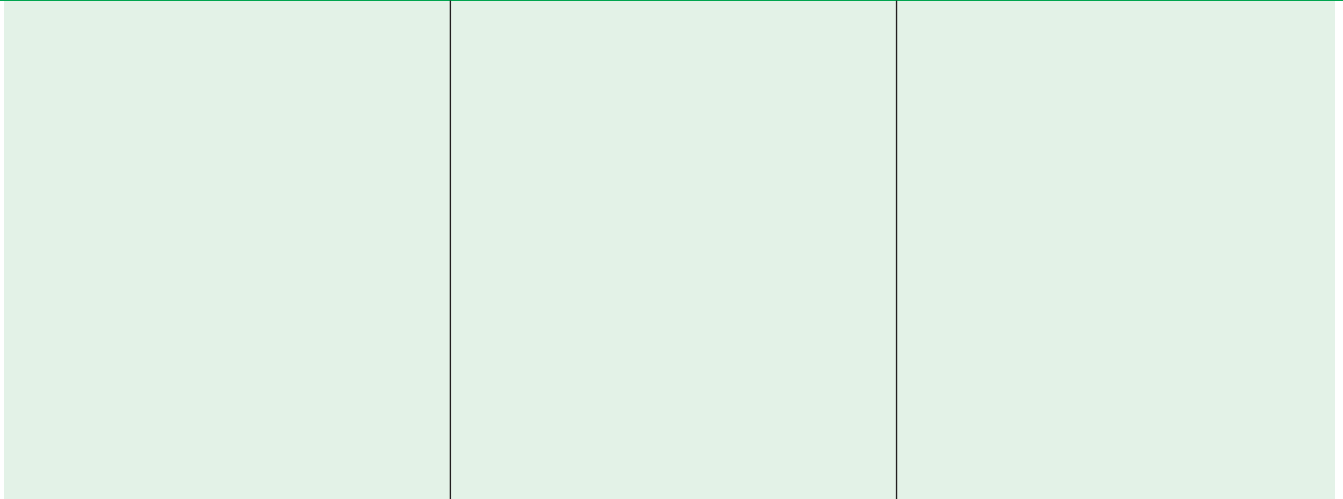
HDMI AND USB KEYSTONE MODULES

1 MODULE

CR1300 HDMI Keystone

CR1301 USB Type A, Type 2.0

CR1302 USB Type A, Type 3.0





FLUSH MOUNTED GRID BOXES

BS 5733

1 - 8 GANG

- SB615** 1 & 2 Gang Flush Box
- SB625** 3 & 4 Gang Flush Box
- CR2206** 6 & 8 Gang Flush Box

Dimension 1 & 2 Gang

Height 68.3mm
Width 68.3mm
Depth 35mm

Dimension 3 & 4 Gang

Height 68.3mm
Width 129mm
Depth 35mm

Dimension 6 & 8 Gang

Height 128mm
Width 128mm
Depth 35mm



SURFACE MOUNTED GRID BOXES

BS 5733

9 - 24 GANG

- CR2209/BG** 9 & 12 Gang Surface Box
- CR2209/18BG** 18 Gang Surface Box
- CR2209/24BG** 24 Gang Surface Box

- Low smoke and fume (LSF) powder coat

Dimension 9 & 12 Gang

Height 203.6mm
Width 146mm
Depth 56mm

Dimension 18 & 24 Gang

Height 266.6mm
Width 206.3mm
Depth 56mm



SURFACE MOUNTED GRID BOXES

BS 5733

1 - 8 GANG WITH PLAIN SIDES

- CR2201/PBG** 1 & 2 Gang Surface Box
- CR2203/PBG** 3 & 4 Gang Surface Box
- CR2206/PBG** 6 & 8 Gang Surface Box

- Low smoke and fume (LSF) powder coat

Dimension 1 & 2 Gang

Height 85.6mm
Width 85.6mm
Depth 40mm

Dimension 3 & 4 Gang

Height 85.6mm
Width 146mm
Depth 40mm

Dimension 6 & 8 Gang

Height 146mm
Width 146mm
Depth 40mm



CR2209/PBG

SURFACE MOUNTED GRID BOXES

BS 5733

9 - 24 GANG WITH PLAIN SIDES

- CR2209/PBG** 9 & 12 Gang SurfaceBox
- CR2209/18PBG** 18 Gang Surface Box
- CR2209/24PBG** 24 Gang Surface Box

- Low smoke and fume (LSF) powder coat

Dimension 9 & 12 Gang

Height 203.6mm
Width 146mm
Depth 56mm

Dimension 18 & 24 Gang

Height 266.6mm
Width 206.3mm
Depth 56mm



CR2201/BG



CR2203/BG



CR2206/BG

SURFACE MOUNTED GRID BOXES

BS 5733

1 - 8 GANG WITH KNOCKOUTS

- CR2201/BG** 1 & 2 Gang Surface Box
- CR2203/BG** 3 & 4 Gang Surface Box
- CR2206/BG** 6 & 8 Gang Surface Box

- Low smoke and fume (LSF) powder coat

Dimension 1 & 2 Gang

Height 85.6mm
Width 85.6mm
Depth 40mm

Dimension 3 & 4 Gang

Height 85.6mm
Width 146mm
Depth 40mm

Dimension 6 & 8 Gang

Height 146mm
Width 146mm
Depth 40mm



CR2209/BG

SURFACE MOUNTED GRID BOXES

BS 5733

9 - 24 GANG WITH KNOCKOUTS

- CR2209/BG** 9 & 12 Gang Surface Box
- CR2209/18BG** 18 Gang Surface Box
- CR2209/24BG** 24 Gang Surface Box

- Low smoke and fume (LSF) powder coat

Dimension 9 & 12 Gang

Height 203.6mm
Width 146mm
Depth 56mm

Dimension 18 & 24 Gang

Height 266.6mm
Width 206.3mm
Depth 56mm

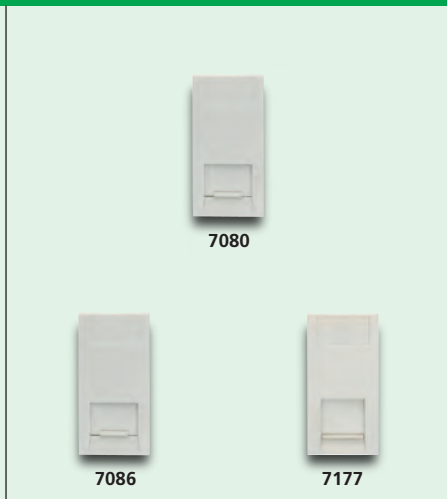


GREY MODULE (EURO) PLATES

BS 5733

1 - 2 GANG (1 - 4 MODULE)

- CR1911/G** 1 Gang 1 Module
- CR1912/G** 1 Gang 2 Module
- CR1924/G** 2 Gang 4 Module



WHITE EURO TELEPHONE MODULES

1 MODULE

- 7080** Master
- 7071** Secondary
- 7086** RJ11

WHITE EURO DATA MODULES

1 MODULE

- 7172** RJ45 Category 5e
- 7177** RJ45 Category 6
- 7173** Twin RJ45 Category 5e



TV/FM AND SATELLITE MODULES

1 MODULE

- 7065** Male Co-Axial Direct Connection
- 7060** Male Co-Axial Outlet Screened
- 7067** Female Co-Axial Direct Connection
- 7069** F-Type Satellite
- 7074** BNC With 75 Ohm Crimp Connector
- 7087** Phono (Female)

2 MODULE

- 7066** TV/FM DAB/SAT/SAT2 Quadplexer

Dimension	1 Gang	2 Gang
Height	86mm	86mm
Width	86mm	146mm
Depth	9mm	9mm

Back Box	1 Gang	2 Gang
Surface Moulded	9043	9048
Flush Galvanised	SB655	SB665
Dry Lining	SB619	SB629

Dimension	1 Module	2 Module
Height	50mm	50mm
Width	25mm	50mm
Depth	24mm	26mm

Dimension	1 Module	2 Module
Height	50mm	50mm
Width	25mm	50mm
Depth	26mm	26mm

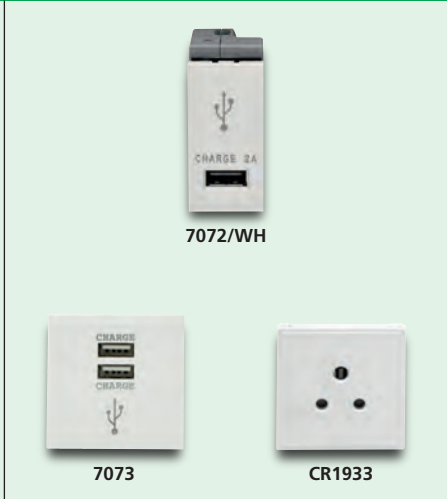


7064

EURO TV/FM AND SATELLITE MODULE

3 MODULE

7064 TV/FM DAB/SAT/SAT2 Quadplexer with Co-Axial Return



7072/WH

7073

CR1933

USB MODULES

BS EN 60950-1, BS EN 61000-6-1/3

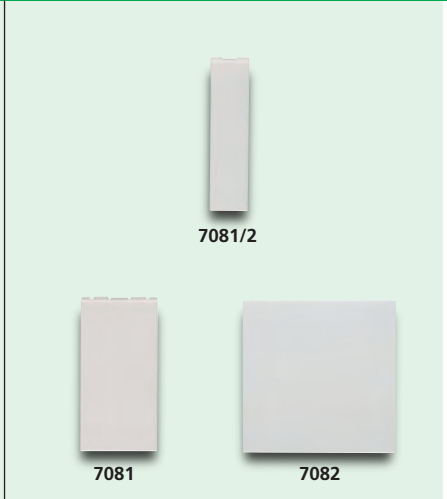
1 & 2 MODULE

7072/WH 1 Module USB 2A 5v
7073 2 Module USB 2x1A 5v

WHITE EURO SOCKET MODULES

2 MODULE

CR1933 2A Round Pin Unswitched Socket
CR1934 5A Round Pin Unswitched Socket



7081/2

7081

7082

BLANK MODULES

BS 5733

½ - 2 MODULES

7081/2 ½ module
7081 1 module
7082 2 module

Dimension

Height	50mm
Width	75mm
Depth	26mm

Dimension

	1 Module	2 Module
Height	50mm	50mm
Width	25mm	50mm
Depth	35mm	34.5mm

Dimension

	1 Module	2 Module
Height	50mm	50mm
Width	25mm	50mm
Depth	6mm	6mm





METAL PLATE SELECTION CHART

		SATIN CHROME WHITE INSERT	SATIN CHROME BLACK INSERT	POLISHED BRASS WHITE INSERT	POLISHED BRASS BLACK INSERT
10AX PLATE SWITCH					
1 GANG 2 WAY	6170/--	6170/SC	6170/SCBK	6170/PB	6170/PBBK
2 GANG 2 WAY	6172/--	6172/SC	6172/SCBK	6172/PB	6172/PBBK
3 GANG 2 WAY	6173/--	6173/SC	6173/SCBK	6173/PB	6173/PBBK
1 GANG INTERMEDIATE	6175/--	6175/SC	6175/SCBK	6175/PB	6175/PBBK
1 GANG RETRACTIVE	6096/--	6096/SC	6096/SCBK	6096/PB	6096/PBBK
10AX LARGE ROCKER PLATE SWITCH					
1 GANG 2 WAY	5170/--	-	-	-	-
2 GANG 2 WAY	5172/--	-	-	-	-
3 GANG 2 WAY	5173/--	-	-	-	-
1 GANG INTERMEDIATE	5175/--	-	-	-	-
1 GANG RETRACTIVE	5177/--	-	-	-	-
DIMMER SWITCHES					
1 GANG 250W 2 WAY	1250W/--	1250W/SC	1250W/SC	1250W/PB	1250W/PB
1 GANG 400W 2 WAY	1400W/--	1400W/SC	1400W/SC	1400W/PB	1400W/PB
2 GANG 250W 2 WAY	2250W/--	2250W/SC	2250W/SC	2250W/PB	2250W/PB
2 GANG 400W 2 WAY	2400W/--	2400W/SC	2400W/SC	2400W/PB	2400W/PB
1 GANG 5 - 100W LED DIMMER	1100W/--LED	1100W/SCLED	1100W/SCLED	1100W/PBLED	1100W/PBLED
2 GANG 5 - 100W LED DIMMER	2100W/--LED	2100W/SCLED	2100W/SCLED	2100W/PBLED	2100W/PBLED
13A 1 GANG SOCKET					
SWITCHED SP	4314/--	4314/SC	4314/SCBK	4314/PB	4314/PBBK
SWITCHED DP	4314/D--	4314/DSC	4314/DSCBK	-	4314/DPBBK
SWITCHED SP WITH NEON	4314/3--	4314/3SC	4314/3SCBK	4314/3PB	4314/3PBBK
SWITCHED DP WITH NEON	4314/3D/--	4314/3DSC	-	-	-
SWITCHED SP WITH METAL ROCKER	4314/--/6	4314/SC/6	4314/SCBK/6	4314/PB/6	4314/PBBK/6
SWITCHED DP WITH METAL ROCKER	4314/D--/6	4314/DSC/6	4314/DSCBK/6	4314/DPB/6	4314/DPBBK/6
SWITCHED SP WITH NEON WITH METAL ROCKER	4314/3--/6	4314/3SC/6	4314/3SCBK/6	4314/3PB/6	4314/3PBBK/6
UNSWITCHED	8255/--	8255/SC	8255/SCBK	-	8255/PBBK
UNSWITCHED FLOOR SOCKET	8256/--	8256/SC	-	8256/PB	-
13A 2 GANG SOCKET					
SWITCHED SP	4316/--	4316/SC	4316/SCBK	4316/PB	4316/PBBK
SWITCHED DP	4316/D--	4316/DSC	4316/DSCBK	4316/DPB	4316/DPBBK
SWITCHED SP WITH NEON	4316/3--	4316/3SC	4316/3SCBK	4316/3PB	4316/3PBBK
SWITCHED DP WITH NEON	4316/3D--	4316/3DSC	-	-	-
SWITCHED SP WITH METAL ROCKER	4316/--/6	4316/SC/6	4316/SCBK/6	4316/PB/6	4316/PBBK/6
SWITCHED DP WITH METAL ROCKER	4316/D--/6	4316/DSC/6	4316/DSCBK/6	4316/DPB/6	4316/DPBBK/6
SWITCHED SP WITH NEON WITH METAL ROCKER	4316/3--/6	4316/3SC/6	4316/3SCBK/6	4316/3PB/6	4316/3PBBK/6
SWITCHED SP WITH RED ROCKER	4316/--/RD	4316/SC/RD	-	-	-
SWITCHED DP WITH DUAL USB	4316USB/--/D	4316USB/SC/D	4316USB/SCBK/D	4316USB/PB/D	-
UNSWITCHED	8257/--	8257/SC	8257/SCBK	-	8257/PBBK
OTHER SOCKETS					
5A 3 PIN SWITCHED	2340/--	2340/SC	2340/SCBK	2340/PB	2340/PBBK
15A 3 PIN SWITCHED	2372/--	2372/SC	-	2372/PB	-
2A 3 PIN UNSWITCHED	8075/--	8075/SC	-	8075/PB	-
MULTI MEDIA PLATE	4318/--	4318/SC	-	4318/PB	-
13A FUSED CONNECTION UNITS					
UNSWITCHED	4831/--	4831/SC	4831/SCBK	4831/PB	4831/PBBK
UNSWITCHED WITH NEON	4831/3--	4831/3SC	4831/3SCBK	-	4831/3PBBK
SWITCHED	4832/--	4832/SC	4832/SCBK	4832/PB	4832/PBBK
SWITCHED WITH NEON	4832/3--	4832/3SC	4832/3SCBK	4832/3PB	4832/3PBBK
UNSWITCHED WITH CORD OUTLET	4836/--	4836/SC	4836/SCBK	4836/PB	4836/PBBK
SWITCHED WITH CORD OUTLET	4837/--	4837/SC	4837/SCBK	-	4837/PBBK
SWITCHED WITH CORD OUTLET AND NEON	4837/3--	4837/3SC	4837/3SCBK	4837/3PB	4837/3PBBK
SWITCHED WITH METAL ROCKER	4832/--/6	4832/SC/6	4832/SCBK/6	4832/PB/6	4832/PBBK/6
SWITCHED WITH NEON WITH METAL ROCKER	4832/3--/6	4832/3SC/6	4832/3SCBK/6	4832/3PB/6	4832/3PBBK/6
SWITCHED WITH CORD OUTLET WITH METAL ROCKER	4837/--/6	4837/SC/6	4837/SCBK/6	4837/PB/6	4837/PBBK/6
SWITCHED WITH CORD OUTLET AND NEON WITH METAL ROCKER	4837/3--/6	4837/3SC/6	4837/3SCBK/6	4837/3PB/6	4837/3PBBK/6
CONTROL SWITCH					
3A CARD SWITCH	4018/--	4018/SC	4018/SCBK	4018/PB	4018/PB/BK
6A TP CONTROL SWITCH	6017/--	6017/SC	-	6017/PB	-
20A DP CONTROL SWITCH	4011/--	4011/SC	4011/SCBK	4011/PB	4011/PBBK
20A DP CONTROL SWITCH PRINTED "---"	4011/--/--	4011/SC/--	4011/SCBK/--	4011/PB/--	4011/PBBK/--
20A DP CONTROL SWITCH WITH NEON	4011/3--	4011/3SC	4011/3SCBK	4011/3PB	4011/3PBBK
20A DP CONTROL SWITCH WITH NEON "---"	4011/3--/--	4011/3-SC	4011/3SCBK/--	4011/3PB/--	4011/3PBBK/--
20A DP CONTROL SWITCH WITH NEON AND CORD OUTLET	4014/3--	4014/3SC	4014/3SCBK	-	4014/3PBBK
32A DP CONTROL SWITCH WITH NEON	4012/3--	4012/3SC	4012/3SCBK	4012/3PB	4012/3PBBK
45A DP COOKER CONTROL UNIT WITH NEON	4522/3--	4522/3SC	4522/3SCBK	4522/3PB	-
50A DP CONTROL SWITCH	4512/--	4512/SC	4512/SCBK	4512/PB	4512/PBBK
50A DP CONTROL SWITCH WITH NEON	4512/3--	4512/3SC	4512/3SCBK	4512/3PB	4512/3PBBK
SHAVER SUPPLY UNIT	2411/--	2411/SC	-	2411/PB	-
BLANKING PLATES					
1 GANG	6575/--	6575/SC	6575/SC	6575/PB	6575/PB
2 GANG	6577/--	6577/SC	6577/SC	6577/PB	6577/PB
CO-AXIAL & COMMUNICATION					
TELEPHONE MASTER	8283/--	8283/SC	8283/SCBK	8283/PB	-
TELEPHONE SECONDARY	8284/--	8284/SC	8284/SCBK	8284/PB	8284/PBBK
CO-AXIAL 1 WAY DIRECT CONNECTION	8265/--	8265/SC	-	8265/PB	-
CO-AXIAL 2 WAY DIRECT CONNECTION	8266/--	8266/SC	-	8266/PB	-
CO-AXIAL 1 WAY ISOLATED	8267/--	8267/SC	-	8267/PB	-
CO-AXIAL 2 WAY ISOLATED	8268/--	8268/SC	-	8268/PB	-
COMMUNICATION PLATES					
1 GANG 1 MODULE	8091/--	8091/SC	-	8091/PB	-
1 GANG 2 MODULE	8092/--	8092/SC	8092/SCBK	8092/PB	8092/PBBK
2 GANG 4 MODULE	8094/--	8094/SC	8094/SCBK	8094/PB	8094/PBBK

METAL PLATE SELECTION CHART

HIGHLY POLISHED CHROME WHITE INSERT	HIGHLY POLISHED CHROME BLACK INSERT	BRONZE WHITE INSERT	BRONZE BLACK INSERT	STAINLESS STEEL WHITE INSERT	STAINLESS STEEL BLACK INSERT	POLISHED STAINLESS STEEL WHITE INTERIOR
6170/HPC	6170/HPCBK	6170/BZ	6170/BZBK	6170/SS	6170/SSBK	6170/PSS
6172/HPC	6172/HPCBK	6172/BZ	6172/BZBK	6172/SS	6172/SSBK	6172/PSS
6173/HPC	6173/HPCBK	6173/BZ	6173/BZBK	6173/SS	6173/SSBK	6173/PSS
6175/HPC	6175/HPCBK	6175/BZ	6175/BZBK	6175/SS	6175/SSBK	6175/PSS
6096/HPC	6096/HPCBK	6096/BZ	6096/BZBK	6096/SS	6096/SSBK	6096/PSS
5170/HPC	-	-	-	-	-	-
5172/HPC	-	-	-	-	-	-
5173/HPC	-	-	-	-	-	-
5175/HPC	-	-	-	-	-	-
5177/HPC	-	-	-	-	-	-
1250W/HPC	1250W/HPC	1250W/BZ	1250W/BZ	-	-	-
1400W/HPC	1400W/HPC	1400W/BZ	1400W/BZBK	-	-	-
2250W/HPC	2250W/HPC	2250W/BZ	2250W/BZ	-	-	-
2400W/HPC	2400W/HPC	2400W/BZ	2400W/BZ	2400W/SS	2400W/SS	-
1100W/HPCLD	1100W/HPCLD	1100W/BZLED	1100W/BZLED	1100W/SSLED	1100W/SSLED	-
2100W/HPCLD	2100W/HPCLD	2100W/BZLED	2100W/BZLED	2100W/SSLED	2100W/SSLED	-
4314/HPC	4314/HPCBK	4314/BZ	4314/BZBK	4314/SS	4314/SSBK	4314/PSS
-	4314/DHPCBK	4314/DBZ	4314/DBZBK	4314/DSS	4314/DSSBK	4314/DPSS
4314/3HPC	4314/3HPCBK	4314/3BZ	4314/3BZBK	4314/3SS	4314/3SSBK	-
-	-	4314/3DBZ	-	-	-	-
4314/HPC/6	4314/HPCBK/6	4314/BZ/6	4314/BZBK/6	4314/SS/6	4314/SSBK/6	-
4314/DHPC/6	4314/DHPCBK/6	4314/DBZ/6	4314/DBZBK/6	4314/DSS/6	4314/DSSBK/6	4314/DPSS/6
4314/3HPC/6	4314/3HPCBK/6	4314/3BZ/6	4314/3BZBK/6	4314/3SS/6	4314/3SSBK/6	-
8255/HPC	8255/HPCBK	8255/BZ	8255/BZBK	8255/SS	8255/SSBK	8255/PSS
8256/HPC	-	8256/BZ	-	-	-	-
4316/HPC	4316/HPCBK	4316/BZ	4316/BZBK	4316/SS	4316/SSBK	4316/PSS
4316/DHPC	4316/DHPCBK	4316/DBZ	4316/DBZBK	4316/DSS	4316/DSSBK	-
4316/3HPC	4316/3HPCBK	4316/3BZ	4316/3BZBK	4316/3SS	4316/3SSBK	4316/3PSS
-	-	4316/3DBZ	-	-	-	-
4316/HPC/6	4316/HPCBK/6	4316/BZ/6	4316/BZBK/6	4316/SS/6	4316/SSBK/6	-
4316/DHPC/6	4316/DHPCBK/6	4316/DBZ/6	4316/DBZBK/6	4316/DSS/6	4316/DSSBK/6	-
4316/3HPC/6	4316/3HPCBK/6	4316/3BZ/6	4316/3BZBK/6	4316/3SS/6	4316/3SSBK/6	-
-	-	4316/BZ/RD	-	4316/SS/RD	-	-
4316USB/HPC/D	4316USB/HPCBK/D	4316USB/BZ/D	-	4316USB/SS/D	-	4316USB/PSS/D
-	8257/HPCBK	8257/BZ	8257/BZBK	-	8257/SSBK	-
2340/HPC	2340/HPCBK	2340/BZ	2340/BZBK	2340/SS	2340/SSBK	-
2372/HPC	-	2372/BZ	-	2372/SS	-	2372/PSS
8075/HPC	-	8075/BZ	-	8075/SS	-	-
4318/HPC	-	-	-	4318/SS	-	-
4831/HPC	4831/HPCBK	4831/BZ	4831/BZBK	4831/SS	4831/SSBK	4831/PSS
4831/3HPC	4831/3HPCBK	-	4831/3BZBK	4831/3SS	4831/3SSBK	-
4832/HPC	4832/HPCBK	4832/BZ	4832/BZBK	4832/SS	4832/SSBK	4832/PSS
4832/3HPC	4832/3HPCBK	4832/3BZ	4832/3BZBK	4832/3SS	4832/3SSBK	4832/3PSS
4836/HPC	4836/HPCBK	4836/BZ	4836/BZBK	4836/SS	4836/SSBK	-
4837/HPC	4837/HPCBK	4837/BZ	4837/BZBK	4837/SS	4837/SSBK	-
4837/3HPC	4837/3HPCBK	4837/3BZ	4837/3BZBK	4837/3SS	4837/3SSBK	4837/3PSS
4832/HPC/6	4832/HPCBK/6	4832/BZ/6	4832/BZBK/6	4832/SS/6	4832/SSBK/6	-
4832/3HPC/6	4832/3HPCBK/6	4832/3BZ/6	4832/3BZBK/6	4832/3SS/6	4832/3SSBK/6	-
4837/HPC/6	4837/HPCBK/6	4837/BZ/6	4837/BZBK/6	4837/SS/6	4837/SSBK/6	-
4837/3HPC/6	4837/3HPCBK/6	4837/3BZ/6	4837/3BZBK/6	4837/3SS/6	4837/3SSBK/6	-
4018/HPC	4018/HPC/BK	-	-	-	-	-
6017/HPC	-	6017/BZ	-	6017/SS	-	6017/PSS
4011/HPC	4011/HPCBK	4011/BZ	4011/BZBK	4011/SS	4011/SSBK	4011/PSS
4011/HPC/--	4011/HPCBK/--	4011/BZ/--	4011/BZBK/--	4011/SS/--	4011/SSBK/--	4011/PSS/--
4011/3HPC	4011/3HPCBK	4011/3BZ	4011/3BZBK	4011/3SS	4011/3SSBK	4011/3PSS
4011/3HPC/--	4011/3HPCBK/--	4011/3BZ/--	4011/3BZBK/--	4011/3SS/--	4011/3SSBK/--	4011/3PSS/--
4014/3HPC	4014/3HPCBK	4014/3BZ	4014/3BZBK	4014/3SS	4014/3SSBK	-
4012/3HPC	4012/3HPCBK	4012/3BZ	4012/3BZBK	4012/3SS	4012/3SSBK	4012/3PSS
4522/3HPC	-	4522/3BZ	-	4522/3SS	-	-
4512/HPC	4512/HPCBK	4512/BZ	4512/BZBK	4512/SS	4512/SSBK	-
4512/3HPC	4512/3HPCBK	4512/3BZ	4512/3BZBK	4512/3SS	4512/3SSBK	4512/3PSS
2411/HPC	-	2411/BZ	-	2411/SS	-	2411/PSS
6575/HPC	6575/HPC	6575/BZ	6575/BZ	6575/SS	6575/SS	6575/PSS
6577/HPC	6577/HPC	6577/BZ	6577/BZ	6577/SS	6577/SS	6577/PSS
8283/HPC	-	8283/BZ	8283/BZBK	8283/SS	-	8283/PSS
8284/HPC	8284/HPCBK	8284/BZ	-	8284/SS	-	8284/PSS
8265/HPC	-	8265/BZ	-	8265/SS	-	8265/PSS
8266/HPC	-	8266/BZ	-	-	-	8266/PSS
8267/HPC	-	8267/BZ	-	8267/SS	-	-
8268/HPC	-	8268/BZ	-	8268/SS	-	-
8091/HPC	-	8091/BZ	-	8091/SS	-	-
8092/HPC	-	8092/BZ	-	8092/SS	-	8092/PSS
8094/HPC	-	8094/BZ	-	8094/SS	-	-

METAL PLATE 10AX SWITCHES



6170/SC



6175/HPCBK

10AX SWITCHES

BS EN 60669-1

10AX INTERMEDIATE SWITCHES

BS EN 60669-1

METAL PLATE FINISHES

1 GANG

1 GANG

SATIN CHROME WHITE INSERT	6170/SC	2 Way	6175/SC
SATIN CHROME BLACK INSERT	6170/SCBK	2 Way	6175/SCBK
POLISHED BRASS WHITE INSERT	6170/PB	2 Way	6175/PB
POLISHED BRASS BLACK INSERT	6170/PBBK	2 Way	6175/PBBK
POLISHED CHROME WHITE INSERT	6170/HPC	2 Way	6175/HPC
POLISHED CHROME BLACK INSERT	6170/HPCBK	2 Way	6175/HPCBK
BRONZE WHITE INSERT	6170/BZ	2 Way	6175/BZ
BRONZE BLACK INSERT	6170/BZBK	2 Way	6175/BZBK
STAINLESS STEEL WHITE INSERT	6170/SS	2 Way	6175/SS
STAINLESS STEEL BLACK INSERT	6170/SSBK	2 Way	6175/SSBK
POLISHED S.STEEL WHITE INSERT	6170/PSS	2 Way	6175/PSS

Dimension

Height	86mm
Width	86mm
Depth	8.5mm

Back Box

Surface Moulded	9043
Flush Galvanised	SB623
Dry Lining	SB619

Dimension

Height	86mm
Width	86mm
Depth	8.5mm

Back Box

Surface Moulded	9043
Flush Galvanised	SB623
Dry Lining	SB619

For technical and dimensional data please refer to the Technical Information section

METAL PLATE 10AX SWITCHES



6096/PSS

10A RETRACTIVE SWITCHES

BS EN 60669-1

1 GANG

6096/SC	2 Way
6096/SCBK	2 Way
6096/PB	2 Way
6096/PBBK	2 Way
6096/HPC	2 Way
6096/HPCBK	2 Way
6096/BZ	2 Way
6096/BZBK	2 Way
6096/SS	2 Way
6096/SSBK	2 Way
6096/PSS	2 Way

Dimension

Height	86mm
Width	86mm
Depth	8.5mm

Back Box

Surface Moulded	9043
Flush Galvanised	SB623
Dry Lining	SB619



6172/BZBK

10AX SWITCHES

BS EN 60669-1

2 GANG

6172/SC	2 Way
6172/SCBK	2 Way
6172/PB	2 Way
6172/PBBK	2 Way
6172/HPC	2 Way
6172/HPCBK	2 Way
6172/BZ	2 Way
6172/BZBK	2 Way
6172/SS	2 Way
6172/SSBK	2 Way
6172/PSS	2 Way

Dimension

Height	86mm
Width	86mm
Depth	8.5mm

Back Box

Surface Moulded	9047
Flush Galvanised	SB655
Dry Lining	SB619



6173/SC

10AX SWITCHES

BS EN 60669-1

3 GANG

6173/SC	2 Way
6173/SCBK	2 Way
6173/PB	2 Way
6173/PBBK	2 Way
6173/HPC	2 Way
6173/HPCBK	2 Way
6173/BZ	2 Way
6173/BZBK	2 Way
6173/SS	2 Way
6173/SSBK	2 Way
6173/PSS	2 Way

Dimension

Height	86mm
Width	86mm
Depth	8.5mm

Back Box

Surface Moulded	9047
Flush Galvanised	SB655
Dry Lining	SB619

For technical and dimensional data please refer to the Technical Information section

METAL PLATE 10AX SWITCHES



5170/HPC



5175/HPC

10AX LARGE ROCKER SWITCH

BS EN 60669-1

10AX INTERMEDIATE LARGE ROCKER SWITCH

BS EN 60669-1

METAL PLATE FINISHES

1 GANG

1 GANG

SATIN CHROME WHITE INSERT	-	-
SATIN CHROME BLACK INSERT	-	-
POLISHED BRASS WHITE INSERT	-	-
POLISHED BRASS BLACK INSERT	-	-
POLISHED CHROME WHITE INSERT	5170/HPC 2 Way	5175/HPC 2 Way
POLISHED CHROME BLACK INSERT	-	-
BRONZE WHITE INSERT	-	-
BRONZE BLACK INSERT	-	-
STAINLESS STEEL WHITE INSERT	-	-
STAINLESS STEEL BLACK INSERT	-	-
POLISHED S.STEEL WHITE INSERT	-	-
POLISHED S.STEEL BLACK INSERT	-	-

Dimension

Height	86mm
Width	86mm
Depth	8.5mm

Back Box

Surface Moulded	9043
Flush Galvanised	SB623
Dry Lining	SB619

Dimension

Height	86mm
Width	86mm
Depth	8.5mm

Back Box

Surface Moulded	9043
Flush Galvanised	SB623
Dry Lining	SB619

For technical and dimensional data please refer to the Technical Information section

METAL PLATE 10AX SWITCHES



5177/HPC

**10A RETRACTIVE LARGE
ROCKER SWITCH**

BS EN 60669-1

1 GANG

-
-
-
-
5177/HPC 2 Way
-
-
-
-
-
-

Dimension

Height	86mm
Width	86mm
Depth	8.5mm

Back Box

Surface Moulded	9043
Flush Galvanised	SB623
Dry Lining	SB619



5172/HPC

10AX LARGE ROCKER SWITCH

BS EN 60669-1

2 GANG

-
-
-
-
5172/HPC 2 Way
-
-
-
-
-
-

Dimension

Height	86mm
Width	86mm
Depth	8.5mm

Back Box

Surface Moulded	9047
Flush Galvanised	SB655
Dry Lining	SB619



5173/HPC

10AX LARGE ROCKER SWITCH

BS EN 60669-1

3 GANG

-
-
-
-
5173/HPC 2 Way
-
-
-
-
-
-

Dimension

Height	86mm
Width	86mm
Depth	8.5mm

Back Box

Surface Moulded	9047
Flush Galvanised	SB655
Dry Lining	SB619

For technical and dimensional data please refer to the Technical Information section

METAL PLATE DIMMER SWITCHES



1250W/SC



2250W/PB

250W DIMMER

BS EN 55014-1, BS EN 60669-2-1

250W DIMMER

BS EN 55014-1, BS EN 60669-2-1

METAL PLATE FINISHES

METAL PLATE FINISHES	1 GANG	2 GANG
SATIN CHROME	1250W/SC	2250W/SC
POLISHED BRASS	1250W/PB	2250W/PB
POLISHED CHROME	1250W/HPC	2250W/HPC
BRONZE	1250W/BZ	2250W/BZ
STAINLESS STEEL	-	-

Dimension

Height	86mm
Width	86mm
Depth	8.5mm

Back Box

Surface Moulded	9041
Flush Galvanised	SB615
Dry Lining	SB619

Dimension

Height	86mm
Width	86mm
Depth	8.5mm

Back Box

Surface Moulded	9041
Flush Galvanised	SB615
Dry Lining	SB619

For technical and dimensional data please refer to the Technical Information section

METAL PLATE DIMMER SWITCHES



1400W/SC

400W DIMMER

BS EN 55014-1, BS EN 60669-2-1

1 GANG

1400W/SC

1400W/PB

1400W/HPC

1400W/BZ

-

Dimension

Height 86mm
Width 86mm
Depth 8.5mm

Back Box

Surface Moulded 9041
Flush Galvanised SB615
Dry Lining SB619



2400W/PB

400W DIMMER

BS EN 55014-1, BS EN 60669-2-1

2 GANG

2400W/SC

2400W/PB

2400W/HPC

2400W/BZ

2400W/SS

Dimension

Height 86mm
Width 86mm
Depth 8.5mm

Back Box

Surface Moulded 9041
Flush Galvanised SB615
Dry Lining SB619



110W/HPCLED

5 - 100W LED DIMMER

BS EN 55015, BS EN 60669-2-1,
BS EN 61547, BS EN 6100-3-2,
BS EN 6100-3-3

1 GANG

1100W/SCLED

1100W/PBLED

1100W/HPCLED

1100W/BZLED

1100W/SSLED

Dimension

Height 86mm
Width 86mm
Depth 8.5mm

Back Box

Surface Moulded 9041
Flush Galvanised SB615
Dry Lining SB619

For technical and dimensional data please refer to the Technical Information section

METAL PLATE DIMMER SWITCHES



2100W/PBLED

5 - 100W LED DIMMER

BS EN 55015, BS EN 60669-2-1,
BS EN 61547, BS EN 6100-3-2,
BS EN 6100-3-3

METAL PLATE FINISHES

SATIN CHROME	2100W/SCLED
POLISHED BRASS	2100W/PBLED
POLISHED CHROME	2100W/HPCLED
BRONZE	2100W/BZLED
STAINLESS STEEL	2100W/SSLED

2 GANG

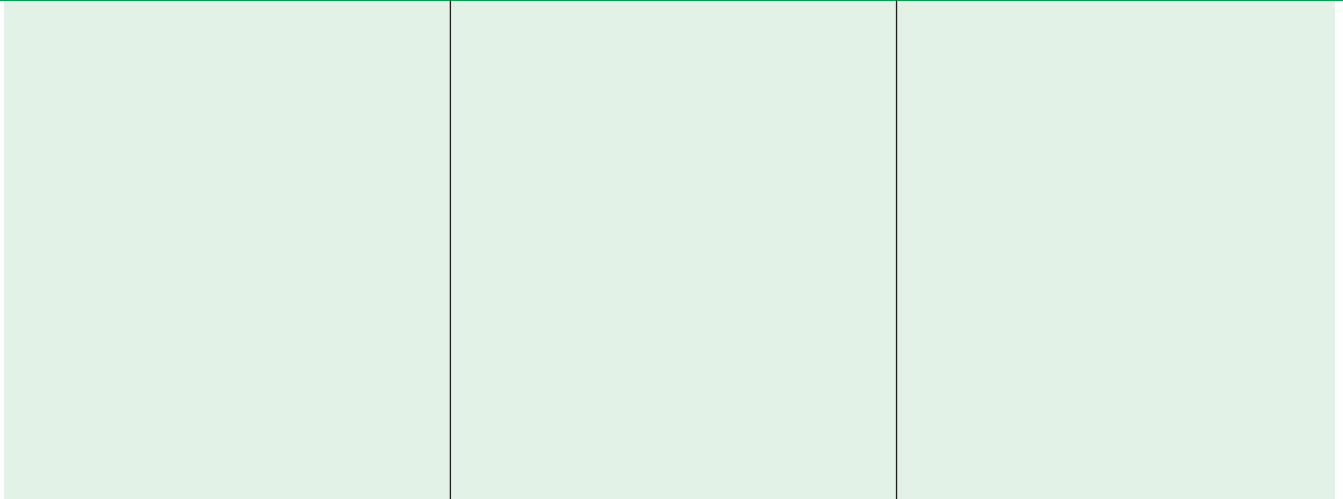
Dimension

Height	86mm
Width	86mm
Depth	8.5mm

Back Box

Surface Moulded	9041
Flush Galvanised	SB615
Dry Lining	SB619

For technical and dimensional data please refer to the Technical Information section



METAL PLATE 13A SOCKETS



4314/SS



4314/DPBBK

**13A SP SWITCHED SOCKET
DUAL EARTH**

BS 1363-2

**13A DP SWITCHED SOCKET
DUAL EARTH**

BS 1363-2

METAL PLATE FINISHES

1 GANG

1 GANG

SATIN CHROME WHITE INSERT	4314/SC	4314/DSC
SATIN CHROME BLACK INSERT	4314/SCBK	4314/DSCBK
POLISHED BRASS WHITE INSERT	4314/PB	-
POLISHED BRASS BLACK INSERT	4314/PBBK	4314/DPBBK
POLISHED CHROME WHITE INSERT	4314/HPC	-
POLISHED CHROME BLACK INSERT	4314/HPCBK	4314/DHPCBK
BRONZE WHITE INSERT	4314/BZ	4314/DBZ
BRONZE BLACK INSERT	4314/BZBK	4314/DBZBK
STAINLESS STEEL WHITE INSERT	4314/SS	4314/DSS
STAINLESS STEEL BLACK INSERT	4314/SSBK	4314/DSSBK
POLISHED S.STEEL WHITE INSERT	4314/PSS	-

Dimension

Height	86mm
Width	86mm
Depth	8.5mm

Back Box

Surface Moulded	9047
Flush Galvanised	SB655
Dry Lining	SB619

Dimension

Height	86mm
Width	86mm
Depth	8.5mm

Back Box

Surface Moulded	9047
Flush Galvanised	SB655
Dry Lining	SB619

For technical and dimensional data please refer to the Technical Information section

METAL PLATE 13A SOCKETS



4314/3BZ

13A SP SWITCHED SOCKET DUAL EARTH COMPLETE WITH NEON

BS 1363-2

1 GANG

4314/3SC

4314/3SCBK

4314/3PB

4314/3PBBK

4314/3HPC

4314/3HPCBK

4314/3BZ

4314/3BZBK

4314/3SS

4314/3SSBK

-

Dimension

Height	86mm
Width	86mm
Depth	8.5mm

Back Box

Surface Moulded	9047
Flush Galvanised	SB655
Dry Lining	SB619



4314/3DSC

13A DP SWITCHED SOCKET DUAL EARTH COMPLETE WITH NEON

BS 1363-2

1 GANG

4314/3DSC

-

-

-

-

-

4314/3DBZ

-

-

-

-

Dimension

Height	86mm
Width	86mm
Depth	8.5mm

Back Box

Surface Moulded	9047
Flush Galvanised	SB655
Dry Lining	SB619



4314/SS/6

13A SP SWITCHED SOCKET DUAL EARTH METAL ROCKER

BS 1363-2

1 GANG

4314/SC/6

4314/SCBK/6

4314/PB/6

4314/PBBK/6

4314/HPC/6

4314/HPCBK/6

4314/BZ/6

4314/BZBK/6

4314/SS/6

4314/SSBK/6

-

Dimension

Height	86mm
Width	86mm
Depth	8.5mm

Back Box

Surface Moulded	9047
Flush Galvanised	SB655
Dry Lining	SB619

For technical and dimensional data please refer to the Technical Information section

METAL PLATE 13A SOCKETS



4314/HPC/6



4314/3SC/6

**13A DP SWITCHED SOCKET
DUAL EARTH METAL ROCKER**

BS 1363-2

**13A SP SWITCHED SOCKET
DUAL EARTH COMPLETE WITH
NEON METAL ROCKER**

BS 1363-2

METAL PLATE FINISHES

1 GANG

1 GANG

SATIN CHROME WHITE INSERT	4314/DSC/6	4314/3SC/6
SATIN CHROME BLACK INSERT	4314/DSCBK/6	4314/3SCBK/6
POLISHED BRASS WHITE INSERT	4314/DPB/6	4314/3PB/6
POLISHED BRASS BLACK INSERT	4314/DPBBK/6	4314/3PBBK/6
POLISHED CHROME WHITE INSERT	4314/DHPC/6	4314/3HPC/6
POLISHED CHROME BLACK INSERT	4314/DHPCBK/6	4314/3HPCBK/6
BRONZE WHITE INSERT	4314/DBZ/6	4314/3BZ/6
BRONZE BLACK INSERT	4314/DBZBK/6	4314/3BZBK/6
STAINLESS STEEL WHITE INSERT	4314/DSS/6	4314/3SS/6
STAINLESS STEEL BLACK INSERT	4314/DSSBK/6	4314/3SSBK/6
POLISHED S.STEEL WHITE INSERT	-	-

Dimension

Height	86mm
Width	86mm
Depth	8.5mm

Back Box

Surface Moulded	9047
Flush Galvanised	SB655
Dry Lining	SB619

Dimension

Height	86mm
Width	86mm
Depth	8.5mm

Back Box

Surface Moulded	9047
Flush Galvanised	SB655
Dry Lining	SB619

For technical and dimensional data please refer to the Technical Information section

METAL PLATE 13A SOCKETS



8255/HPC

13A UNSWITCHED SOCKET

BS 1363-2

1 GANG

8255/SC

8255/SCBK

-

8255/PBBK

8255/HPC

8255/HPCBK

8255/BZ

8255/BZBK

8255/SS

8255/SSBK

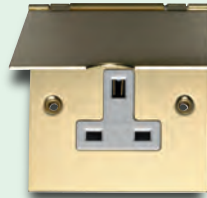
8255/PSS

Dimension

Height 86mm
Width 86mm
Depth 8.5mm

Back Box

Surface Moulded 9047
Flush Galvanised SB655
Dry Lining SB619



8256/BZ

13A UNSWITCHED HINGED FLOOR SOCKET

BS 1363-2

1 GANG

8256/SC

-

8256/PB

-

8256/HPC

-

8256/BZ

-

-

-

-

Dimension

Height 86mm
Width 86mm
Depth 8.5mm

Back Box

Flush Galvanised SB655
Dry Lining SB619

For technical and dimensional data please refer to the Technical Information section

METAL PLATE 13A SOCKETS



4316/SS



4316/DPBBK

13A SP SWITCHED SOCKET

BS 1363-2

13A DP SWITCHED SOCKET

BS 1363-2

METAL PLATE FINISHES

2 GANG

2 GANG

SATIN CHROME WHITE INSERT	4316/SC	4316/DSC
SATIN CHROME BLACK INSERT	4316/SCBK	4316/DSCBK
POLISHED BRASS WHITE INSERT	4316/PB	4316/DPB
POLISHED BRASS BLACK INSERT	4316/PBBK	4316/DPBBK
POLISHED CHROME WHITE INSERT	4316/HPC	4316/DHPC
POLISHED CHROME BLACK INSERT	4316/HPCBK	4316/DHPCBK
BRONZE WHITE INSERT	4316/BZ	4316/DBZ
BRONZE BLACK INSERT	4316/BZBK	4316/DBZBK
STAINLESS STEEL WHITE INSERT	4316/SS	4316/DSS
STAINLESS STEEL BLACK INSERT	4316/SSBK	4316/DSSBK
POLISHED S.STEEL WHITE INSERT	4316/PSS	-

Dimension

Height	146mm
Width	86mm
Depth	8.5mm

Back Box

Surface Moulded	9048
Flush Galvanised	SB665
Dry Lining	SB629

Dimension

Height	146mm
Width	86mm
Depth	8.5mm

Back Box

Surface Moulded	9048
Flush Galvanised	SB665
Dry Lining	SB629

For technical and dimensional data please refer to the Technical Information section

METAL PLATE 13A SOCKETS



4316/3SCBK

13A SP SWITCHED SOCKET COMPLETE WITH NEON

BS 1363-2

2 GANG

4316/3SC

4316/3SCBK

4316/3PB

4316/3PBBK

4316/3HPC

4316/3HPCBK

4316/3BZ

4316/3BZBK

4316/3SS

4316/3SSBK

4316/3PSS

Dimension

Height 146mm
Width 86mm
Depth 8.5mm

Back Box

Surface Moulded 9048
Flush Galvanised SB665
Dry Lining SB629



4316/3DSC

13A DP SWITCHED SOCKET COMPLETE WITH NEON

BS 1363-2

2 GANG

4316/3DSC

-

-

-

-

-

4316/3DBZ

-

-

-

-

Dimension

Height 146mm
Width 86mm
Depth 8.5mm

Back Box

Surface Moulded 9048
Flush Galvanised SB665
Dry Lining SB629



4316/BZBK/6

13A SP SWITCHED SOCKET METAL ROCKER

BS 1363-2

2 GANG

4316/SC/6

4316/SCBK/6

4316/PB/6

4316/PBBK/6

4316/HPC/6

4316/HPCBK/6

4316/BZ/6

4316/BZBK/6

4316/SS/6

4316/SSBK/6

-

Dimension

Height 146mm
Width 86mm
Depth 8.5mm

Back Box

Surface Moulded 9048
Flush Galvanised SB665
Dry Lining SB629

For technical and dimensional data please refer to the Technical Information section

METAL PLATE 13A SOCKETS



4316/DBZBK/6



4316/3SS/6

13A DP SWITCHED SOCKET METAL ROCKER

BS 1363-2

2 GANG

13A SP SWITCHED SOCKET COMPLETE WITH NEON METAL ROCKER

BS 1363-2

2 GANG

METAL PLATE FINISHES

SATIN CHROME WHITE INSERT	4316/DSC/6	4316/3SC/6
SATIN CHROME BLACK INSERT	4316/DSCBK/6	4316/3SCBK/6
POLISHED BRASS WHITE INSERT	4316/DPB/6	4316/3PB/6
POLISHED BRASS BLACK INSERT	4316/DPBBK/6	4316/3PBBK/6
POLISHED CHROME WHITE INSERT	4316/DHPC/6	4316/3HPC/6
POLISHED CHROME BLACK INSERT	4316/DHPCBK/6	4316/3HPCBK/6
BRONZE WHITE INSERT	4316/DBZ/6	4316/3BZ/6
BRONZE BLACK INSERT	4316/DBZBK/6	4316/3BZBK/6
STAINLESS STEEL WHITE INSERT	4316/DSS/6	4316/3SS/6
STAINLESS STEEL BLACK INSERT	4316/DSSBK/6	4316/3SSBK/6
POLISHED S.STEEL WHITE INSERT	-	-

Dimension

Height	146mm
Width	86mm
Depth	8.5mm

Back Box

Surface Moulded	9048
Flush Galvanised	SB665
Dry Lining	SB629

Dimension

Height	146mm
Width	86mm
Depth	8.5mm

Back Box

Surface Moulded	9048
Flush Galvanised	SB665
Dry Lining	SB629

For technical and dimensional data please refer to the Technical Information section

METAL PLATE 13A SOCKETS



4316/SC/RD

13A SP SWITCHED SOCKET WITH RED ROCKER

BS 1363-2

2 GANG

4316/SC/RD

-

-

-

-

-

4316/BZ/RD

-

4316/SS/RD

-

-

Dimension

Height 146mm
Width 86mm
Depth 8.5mm

Back Box

Surface Moulded 9048
Flush Galvanised SB665
Dry Lining SB629



8257/BZBK

13A UNSWITCHED SOCKET

BS 1363-2

2 GANG

8257/SC

8257/SCBK

-

8257/PBBK

-

8257/HPCBK

8257/BZ

8257/BZBK

-

8257/SSBK

-

Dimension

Height 146mm
Width 86mm
Depth 8.5mm

Back Box

Surface Moulded 9048
Flush Galvanised SB665
Dry Lining SB629



4316USB/SS/D

13A DP SWITCHED SOCKET WITH DUAL USB OUTLETS 2.1A

BS 1363-2

2 GANG

4316USB/SC/D

4316USB/SCBK/D

4316USB/PB/D

-

4316USB/HPC/D

4316USB/HPCBK/D

4316USB/BZ/D

-

4316USB/SS/D

-

4316USB/PSS/D

Dimension

Height 146mm
Width 86mm
Depth 8.5mm

Back Box

Surface Moulded 9048
Flush Galvanised SB625
Dry Lining SB629

For technical and dimensional data please refer to the Technical Information section

METAL PLATE OTHER SOCKETS



2340/SC



2372/PB

5A ROUND 3 PIN SWITCHED SOCKET

BS 546

15A ROUND 3 PIN SWITCHED SOCKET

BS 546

METAL PLATE FINISHES

1 GANG

1 GANG

SATIN CHROME WHITE INSERT	2340/SC	2372/SC
SATIN CHROME BLACK INSERT	2340/SCBK	-
POLISHED BRASS WHITE INSERT	2340/PB	2372/PB
POLISHED BRASS BLACK INSERT	2340/PBBK	-
POLISHED CHROME WHITE INSERT	2340/HPC	2372/HPC
POLISHED CHROME BLACK INSERT	2340/HPCBK	-
BRONZE WHITE INSERT	2340/BZ	2372/BZ
BRONZE BLACK INSERT	2340/BZBK	-
STAINLESS STEEL WHITE INSERT	2340/SS	2372/SS
STAINLESS STEEL BLACK INSERT	2340/SSBK	-
POLISHED S.STEEL WHITE INSERT	-	2372/PSS

Dimension

Height	86mm
Width	86mm
Depth	8.5mm

Back Box

Surface Moulded	9047
Flush Galvanised	SB655
Dry Lining	SB619

Dimension

Height	86mm
Width	86mm
Depth	8.5mm

Back Box

Surface Moulded	9047
Flush Galvanised	SB655
Dry Lining	SB619

For technical and dimensional data please refer to the Technical Information section

METAL PLATE OTHER SOCKETS



8075/SS

2A ROUND 3 PIN UNSWITCHED SOCKET

BS 1363-2

1 GANG

8075/SC

-

8075/PB

-

8075/HPC

-

8075/BZ

-

8075/SS

-

-

Dimension

Height	86mm
Width	86mm
Depth	8.5mm

Back Box

Surface Moulded	9047
Flush Galvanised	SB655
Dry Lining	SB619



4318/HPC

MULTI MEDIA PLATE

BS 1363-2

1 GANG

4318/SC

-

4318/PB

-

4318/HPC

-

4318/BZ

-

4318/SS

-

-

Dimension

Height	207mm
Width	267mm
Depth	8.5mm

Back Box

Surface Metal (56mm)	9226/BG
Surface Metal (35mm)	9228/BG

For technical and dimensional data please refer to the Technical Information section

METAL PLATE FUSED CONNECTION UNITS



4832/SS



4832/3BZBK

13A SWITCHED FUSED CONNECTION UNIT

BS 1363-4

13A SWITCHED FUSED CONNECTION UNIT COMPLETE WITH NEON

BS 1363-4

METAL PLATE FINISHES

1 GANG

1 GANG

SATIN CHROME WHITE INSERT	4832/SC	4832/3SC
SATIN CHROME BLACK INSERT	4832/SCBK	4832/3SCBK
POLISHED BRASS WHITE INSERT	4832/PB	4832/3PB
POLISHED BRASS BLACK INSERT	4832/PBBK	4832/3PBBK
POLISHED CHROME WHITE INSERT	4832/HPC	4832/3HPC
POLISHED CHROME BLACK INSERT	4832/HPCBK	4832/3HPCBK
BRONZE WHITE INSERT	4832/BZ	4832/3BZ
BRONZE BLACK INSERT	4832/BZBK	4832/3BZBK
STAINLESS STEEL WHITE INSERT	4832/SS	4832/3SS
STAINLESS STEEL BLACK INSERT	4832/SSBK	4832/3SSBK
POLISHED S.STEEL WHITE INSERT	4832/PSS	4832/3PSS

Dimension

Height	86mm
Width	86mm
Depth	8.5mm

Back Box

Surface Moulded	9047
Flush Galvanised	SB655
Dry Lining	SB619

Dimension

Height	86mm
Width	86mm
Depth	8.5mm

Back Box

Surface Moulded	9047
Flush Galvanised	SB655
Dry Lining	SB619

For technical and dimensional data please refer to the Technical Information section

METAL PLATE FUSED CONNECTION UNITS



4837/SS

13A SWITCHED FUSED CONNECTION UNIT COMPLETE WITH FLEX OUTLET

BS 1363-4

1 GANG

4837/SC

4837/SCBK

-

4837/PBBK

4837/HPC

4837/HPCBK

4837/BZ

4837/BZBK

4837/SS

4837/SSBK

-

Dimension

Height	86mm
Width	86mm
Depth	8.5mm

Back Box

Surface Moulded	9047
Flush Galvanised	SB655
Dry Lining	SB619



4837/3SCBK

13A SWITCHED FUSED CONNECTION UNIT COMPLETE WITH NEON AND FLEX OUTLET

BS 1363-4

1 GANG

4837/3SC

4837/3SCBK

4837/3PB

4837/3PBBK

4837/3HPC

4837/3HPCBK

4837/3BZ

4837/3BZBK

4837/3SS

4837/3SSBK

4837/3PSS

Dimension

Height	86mm
Width	86mm
Depth	8.5mm

Back Box

Surface Moulded	9047
Flush Galvanised	SB655
Dry Lining	SB619



4832/BZ/6

13A SWITCHED FUSED CONNECTION UNIT METAL ROCKER

BS 1363-4

1 GANG

4832/SC/6

4832/SCBK/6

4832/PB/6

4832/PBBK/6

4832/HPC/6

4832/HPCBK/6

4832/BZ/6

4832/BZBK/6

4832/SS/6

4832/SSBK/6

-

Dimension

Height	86mm
Width	86mm
Depth	8.5mm

Back Box

Surface Moulded	9047
Flush Galvanised	SB655
Dry Lining	SB619

For technical and dimensional data please refer to the Technical Information section

METAL PLATE FUSED CONNECTION UNITS



4832/3HPC/6



4837/SS/6

13A SWITCHED FUSED CONNECTION UNIT COMPLETE WITH NEON METAL ROCKER

BS 1363-4

13A SWITCHED FUSED CONNECTION UNIT COMPLETE WITH FLEX OUTLET METAL ROCKER

BS 1363-4

METAL PLATE FINISHES

1 GANG

1 GANG

SATIN CHROME WHITE INSERT	4832/3SC/6	4837/SC/6
SATIN CHROME BLACK INSERT	4832/3SCBK/6	4837/SCBK/6
POLISHED BRASS WHITE INSERT	4832/3PB/6	4837/PB/6
POLISHED BRASS BLACK INSERT	4832/3PBBK/6	4837/PBBK/6
POLISHED CHROME WHITE INSERT	4832/3HPC/6	4837/HPC/6
POLISHED CHROME BLACK INSERT	4832/3HPCBK/6	4837/HPCBK/6
BRONZE WHITE INSERT	4832/3BZ/6	4837/BZ/6
BRONZE BLACK INSERT	4832/3BZBK/6	4837/BZBK/6
STAINLESS STEEL WHITE INSERT	4832/3SS/6	4837/SS/6
STAINLESS STEEL BLACK INSERT	4832/3SSBK/6	4837/SSBK/6
POLISHED S.STEEL WHITE INSERT	-	-

Dimension

Height	86mm
Width	86mm
Depth	8.5mm

Back Box

Surface Moulded	9047
Flush Galvanised	SB655
Dry Lining	SB619

Dimension

Height	86mm
Width	86mm
Depth	8.5mm

Back Box

Surface Moulded	9047
Flush Galvanised	SB655
Dry Lining	SB619

For technical and dimensional data please refer to the Technical Information section

METAL PLATE FUSED CONNECTION UNITS



4837/3SC/6

13A SWITCHED FUSED CONNECTION UNIT COMPLETE WITH NEON AND FLEX OUTLET METAL ROCKER

BS 1363-4

1 GANG

4837/3SC/6

4837/3SCBK/6

4837/3PB/6

4837/3PB BK/6

4837/3HPC/6

4837/3HPCBK/6

4837/3BZ/6

4837/3BZBK/6

4837/3SS/6

4837/3SSBK/6

-

Dimension

Height 86mm
Width 86mm
Depth 8.5mm

Back Box

Surface Moulded 9047
Flush Galvanised SB655
Dry Lining SB619



4831/PBBK

13A UNSWITCHED FUSED CONNECTION UNIT

BS 1363-4

1 GANG

4831/SC

4831/SCBK

4831/PB

4831/PBBK

4831/HPC

4831/HPCBK

4831/BZ

4831/BZBK

4831/SS

4831/SSBK

4831/PSS

Dimension

Height 86mm
Width 86mm
Depth 8.5mm

Back Box

Surface Moulded 9047
Flush Galvanised SB655
Dry Lining SB619



4831/3SS

13A UNSWITCHED FUSED CONNECTION UNIT COMPLETE WITH NEON

BS 1363-4

1 GANG

4831/3SC

4831/3SCBK

-

4831/3PB BK

4831/3HPC

4831/3HPCBK

-

4831/3BZBK

4831/3SS

4831/3SSBK

-

Dimension

Height 86mm
Width 86mm
Depth 8.5mm

Back Box

Surface Moulded 9047
Flush Galvanised SB655
Dry Lining SB619

For technical and dimensional data please refer to the Technical Information section

METAL PLATE FUSED CONNECTION UNITS



4836/SC

13A UNSWITCHED FUSED CONNECTION UNIT COMPLETE WITH FLEX OUTLET

BS 1363-4

METAL PLATE FINISHES

1 GANG

SATIN CHROME WHITE INSERT	4836/SC
SATIN CHROME BLACK INSERT	4836/SCBK
POLISHED BRASS WHITE INSERT	4836/PB
POLISHED BRASS BLACK INSERT	4836/PBBK
POLISHED CHROME WHITE INSERT	4836/HPC
POLISHED CHROME BLACK INSERT	4836/HPCBK
BRONZE WHITE INSERT	4836/BZ
BRONZE BLACK INSERT	4836/BZBK
STAINLESS STEEL WHITE INSERT	4836/SS
STAINLESS STEEL BLACK INSERT	4836/SSBK
POLISHED S.STEEL WHITE INSERT	-

Dimension

Height	86mm
Width	86mm
Depth	8.5mm

Back Box

Surface Moulded	9047
Flush Galvanised	SB655
Dry Lining	SB619

For technical and dimensional data please refer to the Technical Information section

METAL PLATE CONTROL SWITCHES



4018/SC

3A KEY CARD SWITCH

BS EN 60669-1

1 GANG

4018/SC

4018/SC/BK

4018/PB

4018/PB/BK

4018/HPC

4018/HPC/BK

-

-

-

-

-



6017/HPC

6A THREE POLE ISOLATOR SWITCH

BS EN 60669-1, BS EN 60947-3

1 GANG

6017/SC

-

6017/PB

-

6017HPC

-

6017/BZ

-

6017/SS

-

6017/PSS



4011/BZ

20A DP SWITCH

BS EN 60669-1

1 GANG

4011/SC

4011/SCBK

4011/PB

4011/PBBK

4011/HPC

4011/HPCBK

4011/BZ

4011/BZBK

4011/SS

4011/SSBK

4011/PSS

Dimension

Height 86mm
Width 86mm
Depth 8.5mm

Back Box

Surface Moulded 9043
Flush Galvanised SB623
Dry Lining SB619

Dimension

Height 86mm
Width 86mm
Depth 8.5mm

Back Box

Surface Moulded 9047
Flush Galvanised SB655
Dry Lining SB619

Dimension

Height 86mm
Width 86mm
Depth 8.5mm

Back Box

Surface Moulded 9047
Flush Galvanised SB655
Dry Lining SB619

For technical and dimensional data please refer to the Technical Information section

METAL PLATE CONTROL SWITCHES



4011/3SS

20A DP SWITCH COMPLETE WITH NEON

BS EN 60669-1

1 GANG

METAL PLATE FINISHES

SATIN CHROME WHITE INSERT
SATIN CHROME BLACK INSERT
POLISHED BRASS WHITE INSERT
POLISHED BRASS BLACK INSERT
POLISHED CHROME WHITE INSERT
POLISHED CHROME BLACK INSERT
BRONZE WHITE INSERT
BRONZE BLACK INSERT
STAINLESS STEEL WHITE INSERT
STAINLESS STEEL BLACK INSERT
POLISHED S.STEEL WHITE INSERT

4011/3SC

4011/3SCBK

4011/3PB

4011/3PBBK

4011/3HPC

4011/3HPCBK

4011/3BZ

4011/3BZBK

4011/3SS

4011/3SSBK

4011/3PSS

Dimension

Height	86mm
Width	86mm
Depth	8.5mm

Back Box

Surface Moulded	9047
Flush Galvanised	SB655
Dry Lining	SB619



4011/31HPC

20A DP SWITCH COMPLETE WITH NEON PRINTED water heater

BS EN 60669-1

1 GANG

4011/31SC

-

4011/31PB

-

4011/31HPC

-

4011/31BZ

-

4011/31SS

-

4011/31PSS

Dimension

Height	86mm
Width	86mm
Depth	8.5mm

Back Box

Surface Moulded	9047
Flush Galvanised	SB655
Dry Lining	SB619

For technical and dimensional data please refer to the Technical Information section

METAL PLATE CONTROL SWITCHES



4014/3SC

20A DP SWITCH COMPLETE WITH NEON AND FLEX OUTLET

BS EN 60669-1

1 GANG

4014/3SC

4014/3SCBK

-

4014/3PB BK

4014/3HPC

4014/3HPCBK

4014/3BZ

4014/3BZBK

4014/3SS

4014/3SSBK

-

Dimension

Height	86mm
Width	86mm
Depth	8.5mm

Back Box

Surface Moulded	9047
Flush Galvanised	SB655
Dry Lining	SB619



4012/3HPC

32A DP SWITCH COMPLETE WITH NEON

BS EN 60669-1

1 GANG

4012/3SC

4012/3SCBK

4012/3PB

4012/3PB BK

4012/3HPC

4012/3HPCBK

4012/3BZ

4012/3BZBK

4012/3SS

4012/3SSBK

4012/3PSS

Dimension

Height	86mm
Width	86mm
Depth	8.5mm

Back Box

Surface Moulded	9047
Flush Galvanised	SB655
Dry Lining	SB619



4522/3SS

45A DP COOKER CONTROL UNIT COMPLETE WITH NEON

BS 4177

2 GANG

4522/3SC

4522/3SCBK

4522/3PB

-

4522/3HPC

-

4522/3BZ

-

4522/3SS

-

-

Dimension

Height	86mm
Width	146mm
Depth	8.5mm

Back Box

Surface Moulded	9054
Flush Galvanised	SB625
Dry Lining	SB629

For technical and dimensional data please refer to the Technical Information section

METAL PLATE CONTROL SWITCHES



4512/SCBK



4512/3PB

50A DP SWITCH

BS EN 60669-1

50A DP SWITCH COMPLETE WITH NEON

BS EN 60669-1

METAL PLATE FINISHES

2 GANG

2 GANG

SATIN CHROME WHITE INSERT	4512/SC	4512/3SC
SATIN CHROME BLACK INSERT	4512/SCBK	4512/3SCBK
POLISHED BRASS WHITE INSERT	4512/PB	4512/3PB
POLISHED BRASS BLACK INSERT	4512/PBBK	4512/3PBBK
POLISHED CHROME WHITE INSERT	4512/HPC	4512/3HPC
POLISHED CHROME BLACK INSERT	4512/HPCBK	4512/3HPCBK
BRONZE WHITE INSERT	4512/BZ	4512/3BZ
BRONZE BLACK INSERT	4512/BZBK	4512/3BZBK
STAINLESS STEEL WHITE INSERT	4512/SS	4512/3SS
STAINLESS STEEL BLACK INSERT	4512/SSBK	4512/3SSBK
POLISHED S.STEEL WHITE INSERT	-	4512/3PSS

Dimension

Height	146mm
Width	86mm
Depth	8.5mm

Back Box

Surface Moulded	9054
Flush Galvanised	SB625
Dry Lining	SB629

Dimension

Height	146mm
Width	86mm
Depth	8.5mm

Back Box

Surface Moulded	9054
Flush Galvanised	SB625
Dry Lining	SB629

For technical and dimensional data please refer to the Technical Information section

METAL PLATE CONTROL



2411/SS

SHAVER SOCKET DUAL VOLTAGE

BS EN 61558-2-5

2 GANG

2411/SC

-

2411/PB

-

2411/HPC

-

2411/BZ

-

2411/SS

-

2411/PSS



6575/PB

BLANK PLATE

BS 5733

1 GANG

6575/SC

-

6575/PB

-

6575/HPC

-

6575/BZ

-

6575/SS

-

6575/PSS



6577/SC

BLANK PLATE

BS 5733

2 GANG

6577/SC

-

6577/PB

-

6577/HPC

-

6577/BZ

-

6577/SS

-

6577/PSS

Dimension

Height	146mm
Width	86mm
Depth	8.5mm

Back Box

Surface Moulded	9053
Flush Galvanised	SB628
Dry Lining	SB632

Dimension

Height	86mm
Width	86mm
Depth	8.5mm

Dimension

Height	86mm
Width	146mm
Depth	8.5mm

METAL PLATE PRODUCT MARKING

A wide range of marking can be added to 13A fused connection units, Control switches and any other wiring accessories shown in the metal plate section. The marking are consistent in style, colour and position.

To order any of the markings please see list below of popular product markings add suffix to list number
i.e. **4832/SC** marked "fridge freezer" = **4832/SC/FF**

MARKING	SUFFIX	MARKING	SUFFIX
AIR CONDITIONER	AC	HEATING	HG
ALARM	AL	HOB	HB
BATHROOM	BA	HEATING ISOLATOR	HS
BELL TRANSFORMER	BE	HEATER	HT
BATHROOM EXTRACTOR FAN	BEF	IMMERSION HEATER	IH
BATHROOM	BH	KITCHEN EXTRACTOR	KEF
BOILER	BO	LIGHT	LG
BOILER SUPPLY	BOS	LIFT	LI
BOOST	BST	LOFT LIGHT	LL
TO BT SPEC	BT	MICROWAVE	MW
CARAVAN	CA	NIGHT IMMERSION	NI
CCTV	CCTV	OFF PEAK	OFFP
CENTRAL HEATING	CH	OUTSIDE LIGHT	OL
CUPBOARD LIGHT	CL	ON PEAK	ONP
CONVECTOR HEATER	CNH	OVEN	OV
DAY BOOST	DB	PELMET LIGHTS	PEL
DOWNFLOW HEATER	DH	PLINTH HEATER	PLH
DOOR BELL	DO	REFRIDGERATOR	RF
DISHWASHER	DW	SECURITY ALARM	SA
DRYER	DY	SMOKE DETECTOR	SD
EMERGENCY CIRCUIT	EC	SECURITY EQUIPMENT	SE
EXTRACT FAN	EF	SHOWER	SH
EXTRACT HOOD	EH	SECURITY LIGHT	SL
FIRE ALARM	FA	SHOWER PUMP	SP
FOR CLEANERS USE ONLY	FCO	STORAGE HEATER	ST
FAN COIL UNIT	FCU	STEAM CABINET	STC
FEATURE FIRE	FE	TUMBLE DRYER	TD
FRIDGE/FREEZER	FF	TOWEL RAIL	TR
FAN HEATER	FH	TELEVISION	TV
FIRE	FI	UNDERFLOOR HEATING	UH
FAN	FN	VENT FAN	VF
FRIDGE	FR	WATER HEATER	WA
FREEZER	FZ	WATER COOLER	WC
GAS IGNITION	GI	WASTE DISPOSAL	WD
HAND DRYER	HA	WASHING MACHINE	WM
HOB	HB	WASHER	WS
COOKER HOOD	HD		

METAL PLATE CO-AXIAL



8283/SS



8284/HPC

TELEPHONE SOCKETS MASTER

BS 7671

TELEPHONE SOCKETS SECONDARY

BS 7671

METAL PLATE FINISHES

1 GANG

1 GANG

SATIN CHROME WHITE INSERT	8283/SC	8284/SC
SATIN CHROME BLACK INSERT	8283/SCBK	8284/SCBK
POLISHED BRASS WHITE INSERT	8283/PB	8284/PB
POLISHED BRASS BLACK INSERT	-	8284/PBBK
POLISHED CHROME WHITE INSERT	8283/HPC	8284/HPC
POLISHED CHROME BLACK INSERT	-	8284/HPCBK
BRONZE WHITE INSERT	8283/BZ	8284/BZ
BRONZE BLACK INSERT	8283/BZBK	-
STAINLESS STEEL WHITE INSERT	8283/SS	8284/SS
STAINLESS STEEL BLACK INSERT	-	-
POLISHED S.STEEL WHITE INSERT	8283/PSS	8284/PSS

Dimension

Height	86mm
Width	86mm
Depth	8.5mm

Back Box

Surface Moulded	9047
Flush Galvanised	SB655
Dry Lining	SB619

Dimension

Height	86mm
Width	86mm
Depth	8.5mm

Back Box

Surface Moulded	9047
Flush Galvanised	SB655
Dry Lining	SB619

For technical and dimensional data please refer to the Technical Information section

METAL PLATE CO-AXIAL



8265/SC

CO-AXIAL SOCKETS 1 WAY DIRECT CONNECTION

BS 3041

1 GANG

8265/SC

-

8265/PB

-

8265/HPC

-

8265/BZ

-

8265/SS

-

8265/PSS

Dimension

Height	86mm
Width	86mm
Depth	8.5mm

Back Box

Surface Moulded	9047
Flush Galvanised	SB655
Dry Lining	SB619



8266/BZ

CO-AXIAL SOCKETS 2 WAY DIRECT CONNECTION

BS 3041

1 GANG

8266/SC

-

8266/PB

-

8266/HPC

-

8266/BZ

-

8266/SS

-

8266/PSS

Dimension

Height	86mm
Width	86mm
Depth	8.5mm

Back Box

Surface Moulded	9047
Flush Galvanised	SB655
Dry Lining	SB619



8267/HPC

CO-AXIAL SOCKETS 1 WAY ISOLATED UHF, VHF

BS 3041

1 GANG

8267/SC

-

8267/PB

-

8267/HPC

-

8267/BZ

-

8267/SS

-

-

Dimension

Height	86mm
Width	86mm
Depth	8.5mm

Back Box

Surface Moulded	9047
Flush Galvanised	SB655
Dry Lining	SB619

For technical and dimensional data please refer to the Technical Information section

METAL PLATE CO-AXIAL



8268/BZ

CO-AXIAL SOCKETS 2 WAY ISOLATED UHF, VHF

BS 3041

METAL PLATE FINISHES

METAL PLATE FINISHES	1 GANG
SATIN CHROME WHITE INSERT	8268/SC
SATIN CHROME BLACK INSERT	-
POLISHED BRASS WHITE INSERT	8268/PB
POLISHED BRASS BLACK INSERT	-
POLISHED CHROME WHITE INSERT	8268/HPC
POLISHED CHROME BLACK INSERT	-
BRONZE WHITE INSERT	8268/BZ
BRONZE BLACK INSERT	-
STAINLESS STEEL WHITE INSERT	8268/SS
STAINLESS STEEL BLACK INSERT	-
POLISHED S.STEEL WHITE INSERT	-

Dimension

Height	86mm
Width	86mm
Depth	8.5mm

Back Box

Surface Moulded	9047
Flush Galvanised	SB655
Dry Lining	SB619

For technical and dimensional data please refer to the Technical Information section

METAL PLATE MODULE PLATES



8091/SC

MODULE (EURO) PLATES

BS 5733

1 GANG - 1 MODULE

8091/SC

-

8091/PB

-

8091/HPC

-

8091/BZ

-

8091/SS

-

-

Dimension

Height	86mm
Width	86mm
Depth	8.5mm



8092/PB

MODULE (EURO) PLATES

BS 5733

1 GANG - 2 MODULE

8092/SC

8092/SCBK

8092/PB

8092/PBBK

8092/HPC

-

8092/BZ

-

8092/SS

-

8092/PSS

Dimension

Height	86mm
Width	86mm
Depth	8.5mm



8094/SS

MODULE (EURO) PLATES

BS 5733

2 GANG - 4 MODULE

8094/SC

8094/SCBK

8094/PB

8094/PBBK

8094/HPC

-

8094/BZ

-

8094/SS

-

-

Dimension

Height	146mm
Width	86mm
Depth	8.5mm

For technical and dimensional data please refer to the Technical Information section



EURO TELEPHONE MODULES

1 MODULE

- 7080** Master - White
- 7080/BK** Master - Black
- 7071** Secondary - White
- 7071/BK** Secondary - Black
- 7086** RJ11 - White
- 7086/BK** RJ11 - Black

EURO DATA MODULES

1 MODULE

- 7172** RJ45 Category 5e - White
- 7172/BK** RJ45 Category 5e - Black
- 7177** RJ45 Category 6 - White
- 7177BK** RJ45 Category 6 - Black
- 7173** Twin RJ45 Category 5e - White

Dimension	
Height	50mm
Width	25mm

TV/FM AND SATELLITE MODULES

1 MODULE

- 7065** Male Co-Axial Direct Connection - White
- 7065/BK** Male Co-Axial Direct Connection - Black
- 7060** Male Co-Axial Outlet Screened - White
- 7060/BK** Male Co-Axial Outlet Screened - Black
- 7067** Female Co-Axial Direct Connection - White
- 7067/BK** Female Co-Axial Direct Connection - Black
- 7069** F-Type Satellite - White
- 7069/BK** F-Type Satellite - Black
- 7074** BNC With 75 Ohm Crimp Connector - White
- 7074/BK** BNC With 75 Ohm Crimp Connector - Black
- 7087** Phono (Female) - White
- 7087/BK** Phono (Female) - Black

Dimension	1 Module
Height	50mm
Width	25mm

TV/FM AND SATELLITE MODULE

2 MODULE

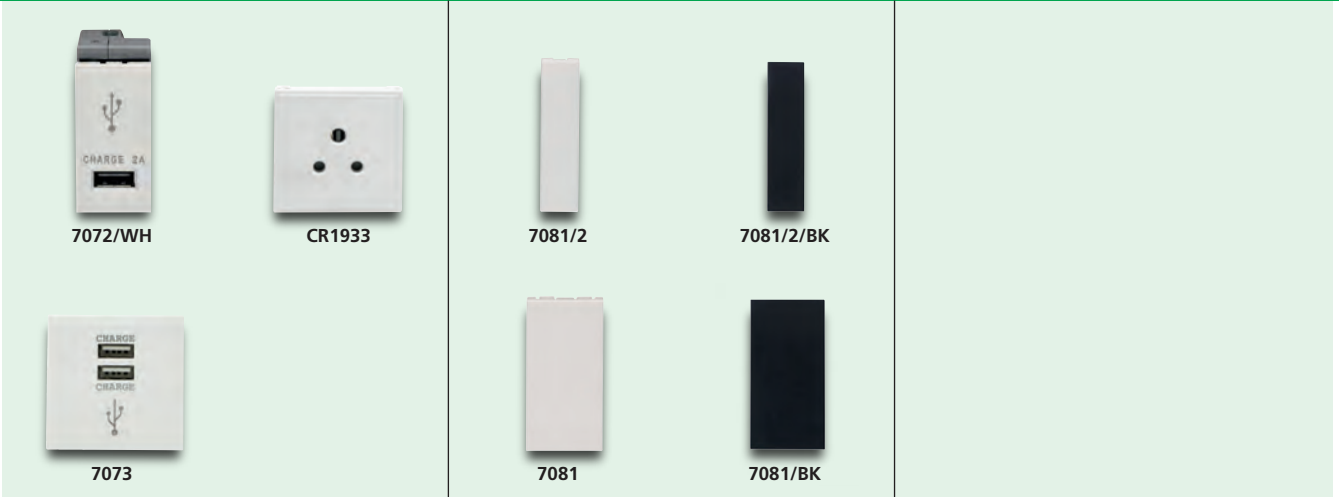
- 7066** TV/FM DAB/SAT/SAT2 Quadplexer - White
- 7066/BK** TV/FM DAB/SAT/SAT2 Quadplexer - Black

3 MODULE

- 7064** TV/FM DAB/SAT/SAT2 Quadplexer with Co-Axial Return - White

Dimension	2 Module	3 Module
Height	50mm	50mm
Width	50mm	75mm

For technical and dimensional data please refer to the Technical Information section



USB MODULES

BS EN 60950-1, BS EN 61000-6-1/3

1 - 2 MODULE

- 7072/WH** 1 Module USB 2A 5v - White
- 7072/BK** 1 Module USB 2A 5v - Black
- 7073** 2 Module USB 2x1A 5v - White
- 7073/BK** 2 Module USB 2x1A 5v - Black

SOCKET MODULES

BS 546 where applicable

2 MODULE

- CR1933** 2A Round Pin Unswitched Socket

BLANK MODULES

BS 5733

1/2 - 2 MODULES

- 7081/2** 1/2 - White
- 7081/2/BK** 1/2 - Black
- 7081** 1 - White
- 7081/BK** 1 - Black
- 7082** 2 - White
- 7082/BK** 2 - Black

Dimension	1 Module	2 Module
Height	50mm	50mm
Width	25mm	50mm

Dimension	1/2 Module
Height	50mm
Width	12.5mm

Dimension	1 Module	2 Module
Height	50mm	50mm
Width	25mm	50mm

For technical and dimensional data please refer to the Technical Information section

ROCKERGRID FLUSH METAL PLATES



6571/SS



6572/HPC

**ROCKERGRID
FLUSH METAL PLATES**

**ROCKERGRID
FLUSH METAL PLATES**

METAL PLATE FINISHES

1 GANG

2 GANG

SATIN CHROME WHITE INSERT	6571/SC	6572/SC
POLISHED BRASS WHITE INSERT	6571/PB	6572/PB
POLISHED CHROME WHITE INSERT	6571/HPC	6572/HPC
BRONZE WHITE INSERT	6571/BZ	6572/BZ
STAINLESS STEEL WHITE INSERT	6571/SS	6572/SS
POLISHED S.STEEL WHITE INSERT	6571/PSS	6572/PSS

Dimension

Height	86mm
Width	86mm
Depth	6.6mm

Back Box

Flush	9201/BG
Surface with knockouts	9201/BG
Surface plain	9201/PBG

Dimension

Height	86mm
Width	86mm
Depth	6.6mm

Back Box

Flush	9201/BG
Surface with knockouts	9201/BG
Surface plain	9201/PBG

For technical and dimensional data please refer to the Technical Information section

ROCKERGRID FLUSH METAL PLATES



6573/PB



6574/BZ



6576/SC

**ROCKERGRID
FLUSH METAL PLATES**

**ROCKERGRID
FLUSH METAL PLATES**

**ROCKERGRID
FLUSH METAL PLATES**

3 GANG

4 GANG

6 GANG

6573/SC

6574/SC

6576/SC

6573/PB

6574/PB

6576/PB

6573/HPC

6574/HPC

6576/HPC

6573/BZ

6574/BZ

6576/BZ

6573/SS

6574/SS

6576/SS

6573/PSS

6574/PSS

6576/PSS

Dimension

Height 86mm
Width 146mm
Depth 6.6mm

Dimension

Height 86mm
Width 146mm
Depth 6.6mm

Dimension

Height 147mm
Width 147mm
Depth 6.6mm

Back Box

Flush 9203/BG
Surface with knockouts 9203/BG
Surface plain 9203/PBG

Back Box

Flush 9203/BG
Surface with knockouts 9203/BG
Surface plain 9203/PBG

Back Box

Flush 9206/BG
Surface with knockouts 9206/BG
Surface plain 9206/PBG

For technical and dimensional data please refer to the Technical Information section

ROCKERGRID FLUSH METAL PLATES



6578/SC



6579/SS

**ROCKERGRID
FLUSH METAL PLATES**

**ROCKERGRID
FLUSH METAL PLATES**

METAL PLATE FINISHES

8 GANG

9 GANG

SATIN CHROME WHITE INSERT	6578/SC	6579/SC
POLISHED BRASS WHITE INSERT	6578/PB	6579/PB
POLISHED CHROME WHITE INSERT	6578/HPC	6579/HPC
BRONZE WHITE INSERT	6578/BZ	6579/BZ
STAINLESS STEEL WHITE INSERT	6578/SS	6579/SS
POLISHED S.STEEL WHITE INSERT	6578/PSS	6579/PSS

Dimension

Height	147mm
Width	147mm
Depth	6.6mm

Back Box

Flush	9206/BG
Surface with knockouts	9206/BG
Surface plain	9206/PBG

Dimension

Height	147mm
Width	207mm
Depth	6.6mm

Back Box

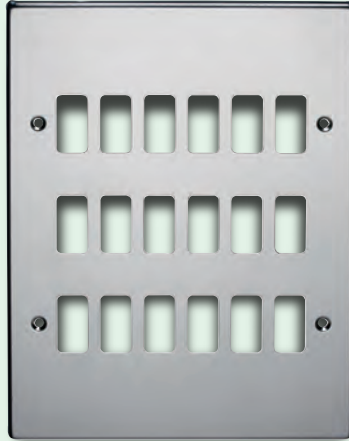
Flush	9209/BG
Surface with knockouts	9209/BG
Surface plain	9209/PBG

For technical and dimensional data please refer to the Technical Information section

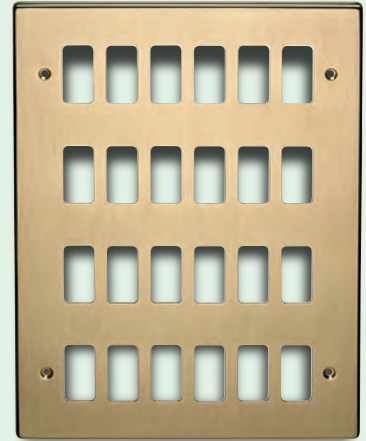
ROCKERGRID FLUSH METAL PLATES



6570/SC



6570/18PSS



6570/24BZ

ROCKERGRID FLUSH METAL PLATES

12 GANG

6570/SC

6570/PB

6570/HPC

6570/BZ

6570/SS

6570/PSS

ROCKERGRID FLUSH METAL PLATES

18 GANG

6570/18SC

6570/18PB

6570/18HPC

6570/18BZ

6570/18SS

6570/18PSS

ROCKERGRID FLUSH METAL PLATES

24 GANG

6570/24SC

6570/24PB

6570/24HPC

6570/24BZ

6570/24SS

6570/24PSS

Dimension

Height	147mm
Width	207mm
Depth	6.6mm

Back Box

Flush	9209/BG
Surface with knockouts	9209/BG
Surface plain	9209/PBG

Dimension

Height	207mm
Width	267mm
Depth	6.6mm

Back Box

Flush	9209/18BG
Surface with knockouts	9209/18BG
Surface plain	9209/18PBG

Dimension

Height	207mm
Width	267mm
Depth	6.6mm

Back Box

Flush	9209/24BG
Surface with knockouts	9209/24BG
Surface plain	9209/24PBG

For technical and dimensional data please refer to the Technical Information section

ROCKERGRID FLUSH METAL PLATES



6591/PB



6592/SC

ROCKERGRID ARCHITRAVE FLUSH METAL PLATES

ROCKERGRID ARCHITRAVE FLUSH METAL PLATES

METAL PLATE FINISHES

1 GANG

2 GANG

SATIN CHROME WHITE INSERT	6591/SC	6592/SC
POLISHED BRASS WHITE INSERT	6591/PB	6592/PB
POLISHED CHROME WHITE INSERT	6591/HPC	6592/HPC
BRONZE WHITE INSERT	6591/BZ	6592/BZ

- Complete with grid

- Complete with grid

Dimension

Height	35mm
Width	86mm
Depth	6.6mm

Back Box

Surface Moulded	4005
Flush Galvanised	9341/GV

Dimension

Height	35mm
Width	146mm
Depth	6.6mm

Back Box

Surface Moulded	4006
Flush Galvanised	9342/GV

For technical and dimensional data please refer to the Technical Information section

ROCKERGRID SURFACE METAL PLATES



6581/BG



6582/WH

**ROCKERGRID
SURFACE METAL PLATES**

**ROCKERGRID
SURFACE METAL PLATES**

METAL PLATE FINISHES

1 GANG

2 GANG

WHITE

6581/WH

6582/WH

BIRCH GREY

6581/BG

6582/BG

Dimension

Height 77mm
Width 77mm
Depth 6.6mm

Dimension

Height 77mm
Width 77mm
Depth 6.6mm

Back Box

Flush 9201/BG
Surface with knockouts 9201/BG
Surface plain 9201/PBG

Back Box

Flush 9201/BG
Surface with knockouts 9201/BG
Surface plain 9201/PBG

For technical and dimensional data please refer to the Technical Information section

ROCKERGRID SURFACE METAL PLATES



6583/BG



6584/WH

**ROCKERGRID
SURFACE METAL PLATES**

**ROCKERGRID
SURFACE METAL PLATES**

METAL PLATE FINISHES

3 GANG

4 GANG

WHITE

6583/WH

6584/WH

BIRCH GREY

6583/BG

6584/BG

Dimension

Height 77mm
Width 137mm
Depth 6.6mm

Dimension

Height 77mm
Width 137mm
Depth 6.6mm

Back Box

Flush 9203/BG
Surface with knockouts 9203/BG
Surface plain 9203/PBG

Back Box

Flush 9203/BG
Surface with knockouts 9203/BG
Surface plain 9203/PBG

For technical and dimensional data please refer to the Technical Information section

ROCKERGRID SURFACE METAL PLATES



6586/BG

ROCKERGRID SURFACE METAL PLATES

6 GANG

6586/WH

6586/BG

Dimension

Height	137mm
Width	137mm
Depth	6.6mm

Back Box

Flush	9206/BG
Surface with knockouts	9206/BG
Surface plain	9206/PBG



6588/WH

ROCKERGRID SURFACE METAL PLATES

8 GANG

6588/WH

6588/BG

Dimension

Height	137mm
Width	137mm
Depth	6.6mm

Back Box

Flush	9206/BG
Surface with knockouts	9206/BG
Surface plain	9206/PBG



6589/BG

ROCKERGRID SURFACE METAL PLATES

9 GANG

6589/WH

6589/BG

Dimension

Height	197mm
Width	137mm
Depth	6.6mm

Back Box

Flush	9209/BG
Surface with knockouts	9209/BG
Surface plain	9209/PBG

For technical and dimensional data please refer to the Technical Information section

ROCKERGRID SURFACE METAL PLATES



6580/BG



6580/18WH

**ROCKERGRID
SURFACE METAL PLATES**

**ROCKERGRID
SURFACE METAL PLATES**

METAL PLATE FINISHES

WHITE

BIRCH GREY

12 GANG

6580/WH

6580/BG

18 GANG

6580/18WH

6580/18BG

Dimension

Height 197mm
Width 137mm
Depth 6.6mm

Back Box

Flush 9209/BG
Surface with knockouts 9209/BG
Surface plain 9209/PBG

Dimension

Height 257mm
Width 197mm
Depth 6.6mm

Back Box

Flush 9209/18BG
Surface with knockouts 9209/18BG
Surface plain 9209/18PBG

For technical and dimensional data please refer to the Technical Information section

ROCKERGRID SURFACE METAL PLATES



6580/24BG

ROCKERGRID SURFACE METAL PLATES

24 GANG

6580/24WH

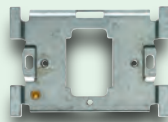
6580/24BG

Dimension

Height	257mm
Width	197mm
Depth	6.6mm

Back Box

Flush	9209/24BG
Surface with knockouts	9209/24BG
Surface plain	9209/24PBG



6901

GRID YOKES

1 - 6 GANG

6901	1 Gang
6902	2 Gang
6903	3 Gang
6904	4 Gang
6906	6 Gang



4430

10AX GRID SWITCHES

BS EN 60669-1

1 MODULE

4430	1 Way
4530	2 Way

1 MODULE RED ROCKER

4430/RD	1 Way
4530/RD	2 Way

1 MODULE BLACK ROCKER

4430/BK	1 Way
4530/BK	2 Way

• Customised printing requirements available on request

Dimension

Height	55mm
Width	25mm
Depth	30mm

ROCKERGRID GRID SWITCHES



4430/6SC



4530/6SC

10AX 1 WAY GRID SWITCHES METAL ROCKER

BS EN 60669-1

10AX 2 WAY GRID SWITCHES METAL ROCKER

BS EN 60669-1

METAL PLATE FINISHES

1 MODULE

1 MODULE

SATIN CHROME WHITE TRIM	4430/6SC/WH	4530/6SC/WH
SATIN CHROME BLACK TRIM	4430/6SC	4530/6SC
POLISHED BRASS WHITE TRIM	4430/6PB/WH	4530/6PB/WH
POLISHED BRASS BLACK TRIM	4430/6PB	4530/6PB
POLISHED CHROME WHITE TRIM	4430/6HPC/WH	4530/6HPC/WH
POLISHED CHROME BLACK TRIM	4430/6HPC	4530/6HPC
BRONZE WHITE TRIM	4430/6BZ/WH	4530/6BZ/WH
BRONZE BLACK TRIM	4430/6BZ	4530/6BZ
STAINLESS STEEL WHITE TRIM	4430/6SS/WH	4530/6SS/WH
STAINLESS STEEL BLACK TRIM	4430/6SS	4530/6SS
POLISHED S.STEEL WHITE TRIM	4430/6PSS/WH	4530/6PSS/WH
POLISHED S.STEEL BLACK TRIM	4430/6PSS	4530/6PSS

• Customised printing requirements available on request

• Customised printing requirements available on request

Dimension

Height	55mm
Width	25mm
Depth	30mm

Dimension

Height	55mm
Width	25mm
Depth	30mm

For technical and dimensional data please refer to the Technical Information section

ROCKERGRID GRID SWITCHES



4489/6BZ/WH

10A 2 WAY RETRACTIVE GRID SWITCHES METAL ROCKER

BS EN 60669-1

1 MODULE

- 4489/6SC/WH
- 4489/6SC
- 4489/6PB/WH
- 4489/6PB
- 4489/6HPC/WH
- 4489/6HPC
- 4489/6BZ/WH
- 4489/6BZ
- 4489/6SS/WH
- 4489/6SS
- 4489/6PSS/WH
- 4489/6PSS

• Customised printing requirements available on request

Dimension

Height	55mm
Width	25mm
Depth	30mm



4490/6SS/WH

10A 2 WAY RETRACTIVE GRID SWITCHES PRINTED WITH BELL SYMBOL METAL ROCKER

BS EN 60669-1

1 MODULE

- 4490/6SC/WH
- 4490/6SC
- 4490/6PB/WH
- 4490/6PB
- 4490/6HPC/WH
- 4490/6HPC
- 4490/6BZ/WH
- 4490/6BZ
- 4490/6SS/WH
- 4490/6SS
- 4490/6PSS/WH
- 4490/6PSS

• Customised printing requirements available on request

Dimension

Height	55mm
Width	25mm
Depth	30mm



4490

10A RETRACTIVE GRID SWITCHES

BS EN 60669-1

1 MODULE

- 4489 2 Way
- 4489/P 2 Way Printed PRESS
- 4490 2 Way Printed with Bell Symbol
- 4553 2 Way and off

1 MODULE RED

- 4490/RD 2 Way Printed with Bell Symbol

• Customised printing requirements available on request

Dimension

Height	55mm
Width	25mm
Depth	30mm

For technical and dimensional data please refer to the Technical Information section

ROCKERGRID GRID SWITCHES



4553/6PB



4450

10A 2 WAY AND OFF RETRACTIVE GRID SWITCHES METAL ROCKER

BS EN 60669-1

1 MODULE

20AX GRID SWITCHES

BS EN 60669-1

1 MODULE

METAL PLATE FINISHES

SATIN CHROME WHITE TRIM	4553/6SC/WH
SATIN CHROME BLACK TRIM	4553/6SC
POLISHED BRASS WHITE TRIM	4553/6PB/WH
POLISHED BRASS BLACK TRIM	4553/6PB
POLISHED CHROME WHITE TRIM	4553/6HPC/WH
POLISHED CHROME BLACK TRIM	4553/6HPC

4450	1 Way
4550	2 Way
4552	2 Way and Off
4535	Intermediate
4460	DP
4469	DP Marked "ON"

- Customised printing requirements available on request

- Customised printing requirements available on request

* Available on request - please contact Technical Services or your local Sales Engineer

Dimension

Height	55mm
Width	25mm
Depth	30mm

Dimension

Height	55mm
Width	25mm
Depth	30mm

For technical and dimensional data please refer to the Technical Information section

ROCKERGRID GRID SWITCHES



4460/RD



4551

20AX RED GRID SWITCHES

BS EN 60669-1

1 MODULE RED ROCKER

- 4550/RD 2 Way
- 4535/RD Intermediate
- 4460/RD DP

1 MODULE BLACK ROCKER

- 4550/BK 2 Way
- 4535/BK Intermediate
- 4460/BK DP

• Customised printing requirements available on request

Dimension

Height	55mm
Width	25mm
Depth	30mm

20AX SECRET KEY GRID SWITCHES

BS EN 60669-1

KEY SWITCHES

- 4451 1 Way
- 4451/ELT 1 Way printed Emergency Light Test
- 4551 2 Way
- 4551/ELT 2 Way printed Emergency Light Test
- 4461 DP
- 4461/ELT DP printed Emergency Light Test

GRID SPARE KEY

- 6940 Spare Grid Switch Key

Dimension

Height	55mm
Width	25mm
Depth	30mm

For technical and dimensional data please refer to the Technical Information section

ROCKERGRID GRID SWITCHES



4450/6HPC/WH



4550/6BZ/WH



4550/6PSS

20AX 1 WAY GRID SWITCHES METAL ROCKER

BS EN 60669-1

1 MODULE

20AX 2 WAY GRID SWITCHES METAL ROCKER

BS EN 60669-1

1 MODULE

METAL PLATE FINISHES

SATIN CHROME WHITE TRIM	4450/6SC/WH	4550/6SC/WH
SATIN CHROME BLACK TRIM	4450/6SC	4550/6SC
POLISHED BRASS WHITE TRIM	4450/6PB/WH	4550/6PB/WH
POLISHED BRASS BLACK TRIM	4450/6PB	4550/6PB
POLISHED CHROME WHITE TRIM	4450/6HPC/WH	4550/6HPC/WH
POLISHED CHROME BLACK TRIM	4450/6HPC	4550/6HPC
BRONZE WHITE TRIM	4450/6BZ/WH	4550/6BZ/WH
BRONZE BLACK TRIM	4450/6BZ	4550/6BZ
STAINLESS STEEL WHITE TRIM	4450/6SS/WH	4550/6SS/WH
STAINLESS STEEL BLACK TRIM	4450/6SS	4550/6SS
POLISHED S.STEEL WHITE TRIM	4450/6PSS/WH	4550/6PSS/WH
POLISHED S.STEEL BLACK TRIM	4450/6PSS	4550/6PSS

• Customised printing requirements available on request

• Customised printing requirements available on request

Dimension

Height	55mm
Width	25mm
Depth	30mm

Dimension

Height	55mm
Width	25mm
Depth	30mm

For technical and dimensional data please refer to the Technical Information section

ROCKERGRID GRID SWITCHES



4552/6PB

20AX 2 WAY AND OFF GRID SWITCHES METAL ROCKER

BS EN 60669-1

1 MODULE

4552/6SC/WH

4552/6SC

4552/6PB/WH

4552/6PB

4552/6HPC/WH

4552/6HPC

-

-

-

-

-

-

• Customised printing requirements available on request

Dimension

Height	55mm
Width	25mm
Depth	30mm



4535/6SC

20AX INTERMEDIATE GRID SWITCHES METAL ROCKER

BS EN 60669-1

1 MODULE

4535/6SC/WH

4535/6SC

4535/6PB/WH

4535/6PB

4535/6HPC/WH

4535/6HPC

4535/6BZ/WH

4535/6BZ

4535/6SS/WH

4535/6SS

4535/6PSS/WH

4535/6PSS

• Customised printing requirements available on request

Dimension

Height	55mm
Width	25mm
Depth	30mm



4460/6SC

20AX DOUBLE POLE GRID SWITCHES METAL ROCKER

BS EN 60669-1

1 MODULE

4460/6SC/WH

4460/6SC

4460/6PB/WH

4460/6PB

4460/6HPC/WH

4460/6HPC

4460/6BZ/WH

4460/6BZ

4460/6SS/WH

4460/6SS

4460/6PSS/WH

4460/6PSS

• Customised printing requirements available on request

Dimension

Height	55mm
Width	25mm
Depth	30mm

For technical and dimensional data please refer to the Technical Information section

ROCKERGRID GRID SWITCHES



4460/TD

20A DOUBLE POLE PRINTED WHITE GRID SWITCHES

BS EN 60669-1

1 MODULE

- 4460/BO** Printed BOILER
- 4460/HD** Printed COOKER HOOD
- 4460/DW** Printed DISHWASHER
- 4460/EF** Printed EXTRACTOR FAN
- 4460/FR** Printed FRIDGE
- 4460/FZ** Printed FREEZER
- 4460/FF** Printed FRIDGE FREEZER
- 4460/FN** Printed FAN
- 4460/HB** Printed HOB
- 4460/HT** Printed HEATER
- 4460/WM** Printed WASHING MACHINE
- 4460/WA** Printed WATER HEATER
- 4460/TD** Printed TUMBLE DRYER

• Customised printing requirements available on request



4425/BC

250W GRID DIMMER SWITCH

BS EN 55014-1, BS EN 60669-2-1

- 4425** 50 - 250W 2 Way White
- 4425/BK** 50 - 250W 2 Way Black
- 4425/BL** 50 - 250W 2 Way White Illuminated
- 4425/BKBL** 50 - 250W 2 Way Black Illuminated



4440/BL



4440/BKBL

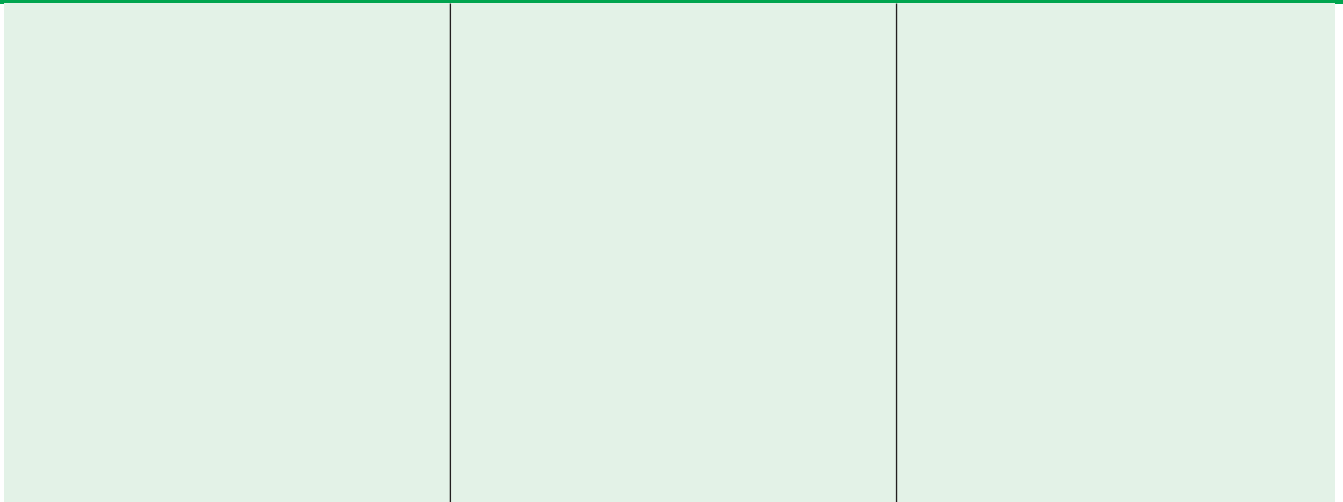
400W GRID DIMMER SWITCH

BS EN 55014-1, BS EN 60669-2-1

- 4440** 50 - 400W 2 Way White
- 4440/BK** 50 - 400W 2 Way Black
- 4440/BL** 50 - 400W 2 Way White Illuminated
- 4440/BKBL** 50 - 400W 2 Way Black Illuminated

Dimension

Height	55mm
Width	25mm
Depth	30mm



ROCKERGRID BACK BOXES



9206/BG

FLUSH GRID BOX

BS 5733

1 - 8 GANG

- SB615** 1 & 2 Gang Flush Box
- SB625** 3 & 4 Gang Flush Box
- 9206/BG** 6 & 8 Gang Flush Box

Dimension 1 & 2 Gang

Height 86mm
Width 86mm
Depth 40mm

Dimension 3 & 4 Gang

Height 86mm
Width 146mm
Depth 40mm

Dimension 6 & 8 Gang

Height 147mm
Width 147mm
Depth 40mm



9209/BG

FLUSH GRID BOX

BS 5733

9 - 24 GANG

- 9209/BG** 9 & 12 Gang Flush Box
- 9209/18BG** 18 Gang Flush Box
- 9209/24BG** 24 Gang Flush Box

Dimension 9 & 12 Gang

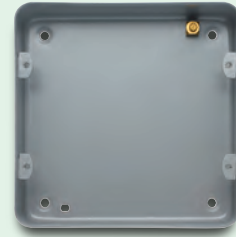
Height 207mm
Width 147mm
Depth 40mm

Dimension 18 Gang

Height 267mm
Width 207mm
Depth 40mm

Dimension 24 Gang

Height 267mm
Width 207mm
Depth 40mm



9206/PBG

SURFACE MOUNTED GRID BOX WITH PLAIN SIDES

BS 5733

1 - 8 GANG

- 9201/PBG** 1 & 2 Gang Flush Box
- 9203/PBG** 3 & 4 Gang Flush Box
- 9206/PBG** 6 & 8 Gang Flush Box

Dimension 1 & 2 Gang

Height 86mm
Width 86mm
Depth 40mm

Dimension 3 & 4 Gang

Height 86mm
Width 146mm
Depth 40mm

Dimension 6 & 8 Gang

Height 147mm
Width 147mm
Depth 40mm

ROCKERGRID BACK BOXES



9209/PBG

SURFACE MOUNTED GRID BOX WITH PLAIN SIDES

BS 5733

9 - 24 GANG

- 9209/PBG** 9 & 12 Gang Flush Box
- 9209/18PBG** 18 Gang Flush Box
- 9209/24PBG** 24 Gang Flush Box

Dimension 9 & 12 Gang

Height 207mm
Width 147mm
Depth 40mm

Dimension 18 Gang

Height 267mm
Width 207mm
Depth 40mm

Dimension 24 Gang

Height 267mm
Width 207mm
Depth 40mm



9206/BG

SURFACE MOUNTED GRID BOX WITH KNOCKOUTS

BS 5733

1 - 8 GANG

- 9201/BG** 1 & 2 Gang Flush Box
- 9203/BG** 3 & 4 Gang Flush Box
- 9206/BG** 6 & 8 Gang Flush Box

Dimension 1 & 2 Gang

Height 86mm
Width 86mm
Depth 40mm

Dimension 3 & 4 Gang

Height 86mm
Width 146mm
Depth 40mm

Dimension 6 & 8 Gang

Height 147mm
Width 147mm
Depth 40mm



9209/BG

SURFACE MOUNTED GRID BOX WITH KNOCKOUTS

BS 5733

9 - 24 GANG

- 9209/BG** 9 & 12 Gang Flush Box
- 9209/18BG** 18 Gang Flush Box
- 9209/24BG** 24 Gang Flush Box

Dimension 9 & 12 Gang

Height 207mm
Width 147mm
Depth 40mm

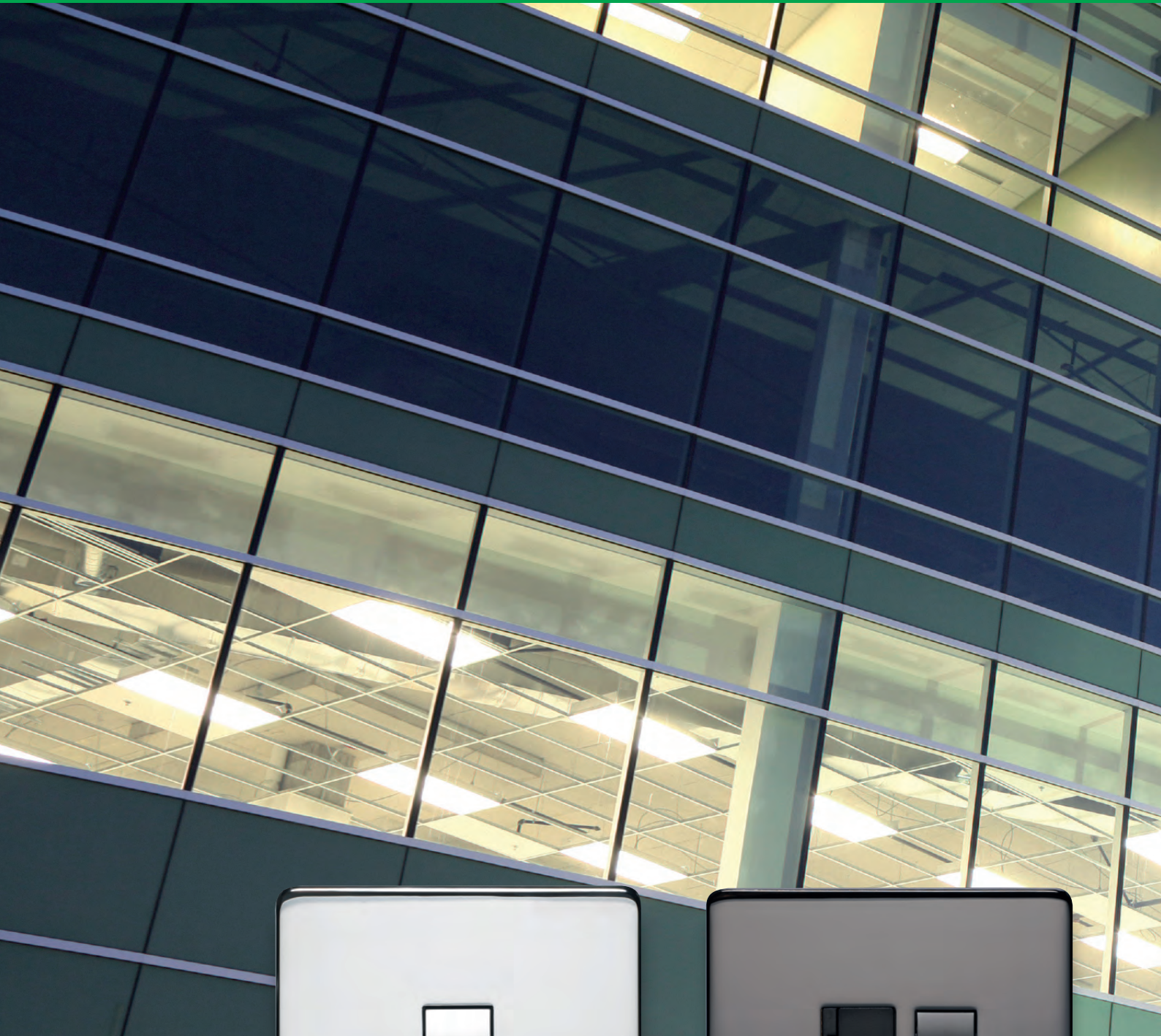
Dimension 18 Gang

Height 267mm
Width 207mm
Depth 40mm

Dimension 24 Gang

Height 267mm
Width 207mm
Depth 40mm

SCREWLESS LOW PROFILE DECORATIVE





SCREWLESS LOW PROFILE DECORATIVE SELECTION CHART

Description	WHITE MOULDED				SATIN CHROME			
	Complete Assembly	Interior	Grid	Front Plate	Complete Assembly	Interior	Grid	Front Plate
Plate Switches								
10AX 1G 2 way switch	7170/WH	-	-	5501/WH	7170/SC	1170/15C	-	7501/SC
10AX 2G 2 way switch	7172/WH	-	-	5502/WH	7172/SC	1172/15C	-	7502/SC
10AX 3G 2 way switch	7173/WH	-	-	5503/WH	7173/SC	1173/15C	-	7503/SC
10AX 1G Intermediate switch	7175/WH	-	-	5501/WH	7175/SC	1175/15C	-	7501/SC
10AX 1G 2 way toggle switch	-	-	-	-	7170/SC	-	-	-
10AX 2G 2 way toggle switch	-	-	-	-	7172/SC	-	-	-
Dimmers								
1G 2 way 250W Dimmer	-	-	-	-	7250/D15C	-	1041/2	7561/SC
2G 2 way 250W Dimmer	-	-	-	-	7250/D25C	-	1041/2	7562/SC
3G 2 way 250W Dimmer	-	-	-	-	7250/D35C	-	1043	7563/SC
1G 2 way 400W Dimmer	7400/D1WH	-	-	5561/WH	7400/D15C	-	1041/2	7561/SC
2G 2 way 400W Dimmer	7400/D2WH	-	-	5562/WH	7400/D25C	-	1041/2	7562/SC
1G 2 way 5-100W LED	-	-	-	-	7100/D15CLED	-	1041/2	7561/SC
2G 2 way 5-100W LED	-	-	-	-	7100/D25CLED	-	1041/2	7562/SC
1G 1 way 400W Dimmer Touch Control	-	-	-	-	7400/TD15C	-	-	-
1G 1 way 400W Dimmer Remote Control	-	-	-	-	7400/RD15C	-	-	-
Sockets								
13A 1G DP Switch Socket White Interior	7314/WH	-	-	5504/WH	7314/SC/WH	1314/15C/WH	-	7504/SC
13A 1G DP Switch Socket Black Interior	-	-	-	-	7314/SC	1314/15C	-	7504/SC
13A 1G DP Switch Socket with neon White Interior	7314/3WH	-	-	5504/3WH	7314/35C/WH	1314/135C/WH	-	7504/35C
13A 1G DP Switch Socket with neon Black Interior	-	-	-	-	7314/35C	1314/135C	-	7504/35C
13A 2G DP Switch Socket White Interior	7316/WH	-	-	5506/WH	7316/SC/WH	1316/15C/WH	-	7506/SC
13A 2G DP Switch Socket Black Interior	-	-	-	-	7316/SC	1316/15C	-	7506/SC
13A 2G DP Switch Socket with neon White Interior	7316/3WH	-	-	5506/3WH	7316/35C/WH	1316/135C/WH	-	7506/35C
13A 2G DP Switch Socket with neon Black Interior	-	-	-	-	7316/35C	1316/135C	-	7506/35C
13A 2G DP Switch Socket with dual USB White Interior	-	-	-	-	7316USB/SCWH/D	-	-	-
13A 2G DP Switch Socket with dual USB Black Interior	-	-	-	-	7316USB/SC/D	-	-	-
2A 1G Round Pin Socket White Interior	-	-	-	-	-	1075/1WH	-	7560/SC
2A 1G Round Pin Socket Black Interior	-	-	-	-	-	1075/1	-	7560/SC
5A 1G Round Pin Socket White Interior	7340/WH	1340/1WH	-	7579/WH	7340/SC/WH	1340/1WH	-	7579/SC
5A 1G Round Pin Socket Black Interior	-	-	-	-	-	1340/1	-	7579/SC
15A Round Pin Switched Socket White interior	7272/WH	-	-	5515/WH	-	1272/15C/WH	-	7515/SC
15A Round Pin Switched Socket Black interior	-	-	-	-	7272/SC	1272/15C	-	7515/SC
Fused Connection Units								
13A Switched FCU White Interior	7832/WH	-	-	5508/WH	7832/SC/WH	1832/15C/WH	-	7508/SC
13A Switched FCU Black Interior	-	-	-	-	7832/SC	1832/15C	-	7508/SC
13A Switched FCU with neon White Interior	7832/3WH	-	-	5508/3WH	7832/35C/WH	1832/135C/WH	-	7508/35C
13A Switched FCU with neon Black Interior	-	-	-	-	7832/35C	1832/135C	-	7508/35C
13A Switched FCU with cord outlet White Interior	-	-	-	-	-	1837/15C/WH	-	7533/SC
13A Switched FCU with cord outlet Black Interior	-	-	-	-	-	1837/15C	-	7533/SC
13A Switched FCU with cord outlet & neon White Interior	-	-	-	-	-	1837/135C/WH	-	7533/35C
13A Switched FCU with cord outlet & neon Black Interior	-	-	-	-	-	1837/135C	-	7533/35C
13A Unswitched FCU white interior	-	4436	1901	5511/WH	-	4436	1901	7511/SC
13A Unswitched FCU black interior	-	-	-	-	-	4436/BK	1901	7511/SC
13A Unswitched FCU with neon white interior	-	4436 + 4494	1902	5512/WH	-	4436 + 4494	1902	7512/SC
13A Unswitched FCU with neon black interior	-	-	-	-	-	4436/BK + 4494/BK	1902	7512/SC
13A Unswitched FCU with cord outlet white interior	-	4436 + 4435	1902	5512/WH	-	4436 + 4435	1902	7512/SC
13A Unswitched FCU with cord outlet black interior	-	-	-	-	-	4436/BK + 4435/BK	1902	7512/SC
Control Switches								
3A Key card switch White Interior	-	-	-	-	7018/SC	-	-	-
3A Key card switch Black Interior	-	-	-	-	7018/SC/BK	-	-	-
Switch Fan Isolator	7017/WH	-	-	5505/WH	7017/SC	1017/15C	-	7505/SC
20A DP switch	7011/WH	-	-	5520/WH	7011/SC	1011/15C	-	7520/SC
20A DP switch with neon	7011/3WH	-	-	5520/3WH	7011/35C	1011/135C	-	7520/35C
32A DP switch	7012/WH	-	-	5532/WH	-	1012/15C	-	7532/SC
32A DP switch with neon	7012/3WH	-	-	5532/3WH	-	1012/135C	-	7532/35C
45A DP switch 1 gang plate	7015/WH	-	-	5545/WH	7015/SC	1512/15C	-	7545/SC
45A DP switch 1 gang plate with neon	7015/3WH	-	-	5545/3WH	7015/35C	1512/135C	-	7545/35C
45A DP switch 2 gang plate with neon	-	-	-	-	7016/35C	1513/135C	-	-
Cooker Control Unit								
Cooker Control Unit White Interior	7521/WH	-	-	5546/WH	7521/SC/WH	1522/15C/WH	-	7546/SC
Cooker Control Unit Black Interior	-	-	-	-	-	1522/15C	-	7546/SC
Cooker Control Unit with neon White Interior	-	-	-	-	7521/35C/WH	1522/135C/WH	-	7546/35C
Cooker Control Unit with neon Black Interior	-	-	-	-	7521/35C	1522/135C	-	7546/35C
Bathroom								
Socket Shaver White Interior	7411/WH	1410/1WH	-	5510/WH	7411/SC/WH	1410/1WH	-	7510/SC
Socket Shaver Black Interior	-	-	-	-	7411/SC	1410/1	-	7510/SC
Accessories								
Socket Tv Co-Axial	7765/WH	-	-	5565/WH	7765/SC/WH	-	-	-
BT Secondary White Interior	7783/WH	-	-	5583/WH	7783/SC/WH	-	-	-
BT Secondary Black Interior	-	-	-	-	7783/SC	-	-	-
BT Master White Interior	7784/WH	-	-	5583/WH	7784/SC/WH	-	-	-
BT Master Black Interior	-	-	-	-	7784/SC	-	-	-
1G Blank Plate	-	-	1091/1	5575/WH	7775/SC	-	1091/1	7575/SC
2G Blank Plate	-	-	1092/1	5577/WH	7777/SC	-	1092/1	7577/SC
1G 2 module Communication Plate	-	-	1091/1	5507/WH	-	-	1091/1	7507/SC
4G 4 module Communication Plate	-	-	1092/1	5509/WH	-	-	1092/1	7509/SC
Grid								
1 Gang Front Plate & Grid Yoke	-	-	1901	5511/WH	-	-	1901	7711/SC
2 Gang Front Plate & Grid Yoke	-	-	1902	5512/WH	-	-	1902	7712/SC
3 Gang Front Plate & Grid Yoke	-	-	1903	5513/WH	-	-	1903	7713/SC
4 Gang Front Plate & Grid Yoke	-	-	1904	5514/WH	-	-	1904	7714/SC
6 Gang Front Plate & Grid Yoke	-	-	-	-	-	-	1906	7716/SC
8 Gang Front Plate & Grid Yoke	-	-	-	-	-	-	1908	7718/SC
10AX 1 Way Grid Switch	-	4430	-	-	-	4430/75C	-	-
10AX 2 Way Grid Switch	-	4530	-	-	-	4530/75C	-	-
10A Retractive	-	4489	-	-	-	4489/75C	-	-
10A Retractive Grid Switch with Bell Symbol	-	4490	-	-	-	4490/75C	-	-
10A Retractive 2 Way & Off Grid Switch	-	4553	-	-	-	4553/75C	-	-
20AX 1 Way Grid Switch	-	4450	-	-	-	4450/75C	-	-
20AX 2 Way Grid Switch	-	4550	-	-	-	4550/75C	-	-
20AX 2 Way & Off	-	4552	-	-	-	4552/75C	-	-
20AX Intermediate Grid Switch	-	4535	-	-	-	4535/75C	-	-
20A DP Grid Switch	-	4460	-	-	-	4460/75C	-	-

SCREWLESS LOW PROFILE DECORATIVE SELECTION CHART

POLISHED BRASS				HIGHLY POLISHED CHROME				BLACK NICKEL			
Complete Assembly	Interior	Grid	Front Plate	Complete Assembly	Interior	Grid	Front Plate	Complete Assembly	Interior	Grid	Front Plate
7170/PB	1170/1PB	-	7501/PB	7170/HPC	1170/1HPC	-	7501/HPC	7170/BKN	-	-	-
7172/PB	1172/1PB	-	7502/PB	7172/HPC	1172/1HPC	-	7502/HPC	7172/BKN	-	-	-
7173/PB	1173/1PB	-	7503/PB	7173/HPC	1173/1HPC	-	7503/HPC	7173/BKN	-	-	-
7175/PB	1175/1PB	-	7501/PB	7175/HPC	1175/1HPC	-	7501/HPC	7175/BKN	-	-	-
7170/PB	-	-	-	7170/PB	-	-	-	7170/BKN	-	-	-
7172/PB	-	-	-	7172/PB	-	-	-	7172/BKN	-	-	-
7250/D1PB	-	1041/2	7561/PB	7250/D1HPC	-	1041/2	7561/HPC	7250/D1BKN	-	-	-
7250/D2PB	-	1041/2	7562/PB	7250/D2HPC	-	1041/2	7562/HPC	7250/D2BKN	-	-	-
7250/D3PB	-	1043	7563/PB	7250/D3HPC	-	1043	7563/HPC	7250/D3BKN	-	-	-
7400/D1PB	-	1041/2	7561/PB	7400/D1HPC	-	1041/2	7561/HPC	7400/D1BKN	-	-	-
7400/D2PB	-	1041/2	7562/PB	7400/D2HPC	-	1041/2	7562/HPC	7400/D2BKN	-	-	-
7100/D1PBLED	-	1041/2	7561/PB	7100/D1HPCLED	-	1041/2	7561/HPC	7100/D1BKNLED	-	-	-
7100/D2PBLED	-	1041/2	7562/PB	7100/D2HPCLED	-	1041/2	7562/HPC	7100/D2BKNLED	-	-	-
7400/TD1PB	-	-	-	7400/TD1HPC	-	-	-	7400/TD1BKN	-	-	-
7400/RD1PB	-	-	-	7400/RD1HPC	-	-	-	7400/RD1BKN	-	-	-
7314/PB/WH	1314/1PB/WH	-	7504/PB	7314/HPC/WH	1314/1HPC/WH	-	7504/HPC	-	-	-	-
7314/PB	1314/1PB	-	7504/PB	7314/HPC	1314/1HPC	-	7504/HPC	7314/BKN	-	-	-
-	1314/13PB/WH	-	7504/3PB	7314/3HPC/WH	1314/13HPC/WH	-	7504/3HPC	-	-	-	-
7314/3PB	1314/13PB	-	7504/3PB	7314/3HPC	1314/13HPC	-	7504/3HPC	7314/3BKN	-	-	-
-	1316/1PB/WH	-	7506/PB	7316/HPC/WH	1316/1HPC/WH	-	7506/HPC	-	-	-	-
7316/PB	1316/1PB	-	7506/PB	7316/HPC	1316/1HPC	-	7506/HPC	7316/BKN	-	-	-
-	1316/13PB/WH	-	7506/3PB	7316/3HPC/WH	1316/13HPC/WH	-	7506/3HPC	-	-	-	-
7316/3PB	1316/13PB	-	7506/3PB	7316/3HPC	1316/13HPC	-	7506/3HPC	7316/3BKN	-	-	-
-	-	-	-	7316USB/HPCWH/D	-	-	-	-	-	-	-
7316USB/PB/D	-	-	-	7316USB/HPC/D	-	-	-	7316USB/BKN/D	-	-	-
-	1075/1WH	-	7560/PB	-	1075/1WH	-	7560/HPC	-	-	-	-
-	1075/1	-	7560/PB	-	1075/1	-	7560/HPC	-	-	-	-
-	1340/1WH	-	7579/PB	-	1340/1WH	-	7579/HPC	-	-	-	-
7340/PB	1340/1	-	7579/PB	7340/HPC	1340/1	-	7579/HPC	7340/BKN	1340/1	-	-
-	1272/1PB/WH	-	7515/PB	-	1272/1HPC/WH	-	7515/HPC	-	-	-	-
-	1272/1PB	-	7515/PB	-	1272/1HPC	-	7515/HPC	-	-	-	-
-	1832/1PB/WH	-	7508/PB	7832/HPC/WH	1832/1HPC/WH	-	7508/HPC	-	-	-	-
7832/PB	1832/1PB	-	7508/PB	7832/HPC	1832/1HPC	-	7508/HPC	7832/BKN	-	-	-
-	1832/13PB/WH	-	7508/3PB	7832/3HPC/WH	1832/13HPC/WH	-	7508/3HPC	-	-	-	-
7832/3PB	1832/13PB	-	7508/3PB	7832/3HPC	1832/13HPC	-	7508/3HPC	7832/3BKN	-	-	-
-	1837/1PB/WH	-	7533/PB	-	1837/1HPC/WH	-	7533/HPC	-	-	-	-
-	1837/1PB	-	7533/PB	-	1837/1HPC	-	7533/HPC	-	-	-	-
-	1837/13PB/WH	-	7533/3PB	-	1837/13HPC/WH	-	7533/3HPC	-	-	-	-
-	1837/13PB	-	7533/3PB	-	1837/13HPC	-	7533/3HPC	-	-	-	-
-	4436	1901	7511/PB	-	4436	1901	7511/HPC	-	-	-	-
-	4436/BK	1901	7511/PB	-	4436/BK	1901	7511/HPC	-	4436/BK	1901	7511/BKN
-	4436 + 4494	1902	7512/PB	-	4436 + 4494	1902	7512/HPC	-	-	-	-
-	4436/BK + 4494/BK	1902	7512/PB	-	4436/BK + 4494/BK	1902	7512/HPC	-	4436/BK + 4494/BK	1902	7512/BKN
-	4436 + 4435	1902	7512/PB	-	4436 + 4435	1902	7512/HPC	-	-	-	-
-	4436/BK + 4435/BK	1902	7512/PB	-	4436/BK + 4435/BK	1902	7512/HPC	-	4436/BK + 4435/BK	1902	7512/BKN
7018/PB	-	-	-	7018/HPC	-	-	-	-	-	-	-
7018/PB/BK	-	-	-	7018/HPC/BK	-	-	-	7018/BKN	-	-	-
7017/PB	1017/1PB	-	7505/PB	7017/HPC	1017/1HPC	-	7505/HPC	7017/BKN	-	-	-
7011/PB	1011/1PB	-	7520/PB	7011/HPC	1011/1HPC	-	7520/HPC	7011/BKN	-	-	-
7011/3PB	1011/13PB	-	7520/3PB	7011/3HPC	1011/13HPC	-	7520/3HPC	7011/3BKN	-	-	-
-	1012/1PB	-	7532/PB	-	1012/1HPC	-	7532/HPC	-	-	-	-
-	1012/13PB	-	7532/3PB	-	1012/13HPC	-	7532/3HPC	-	-	-	-
7015/PB	1512/1PB	-	7545/PB	7015/HPC	1512/1HPC	-	7545/HPC	7015/BKN	-	-	-
7015/3PB	1512/13PB	-	7545/3PB	7015/3HPC	1512/13HPC	-	7545/3HPC	7015/3BKN	-	-	-
7016/3PB	1513/13PB	-	-	7016/3HPC	1513/13HPC	-	-	7016/3BKN	-	-	-
-	1522/1PB/WH	-	7546/PB	7521/HPC/WH	1522/1HPC/WH	-	7546/HPC	-	-	-	-
7521/PB	1522/1PB	-	7546/PB	7521/HPC	1522/1HPC	-	7546/HPC	7521/BKN	-	-	-
-	1522/13PB/WH	-	7546/3PB	7521/3HPC/WH	1522/13HPC/WH	-	7546/3HPC	-	-	-	-
7521/3PB	1522/13PB	-	7546/3PB	7521/3HPC	1522/13HPC	-	7546/3HPC	7521/3BKN	-	-	-
-	1410/1WH	-	7510/PB	-	1410/1WH	-	7510/SC	-	-	-	-
7411/PB	1410/1	-	7510/PB	7411/HPC	1410/1	-	7510/SC	7411/BKN	1410/1	-	-
7765/PB	-	-	-	7765/HPC	-	-	-	7765/BKN	-	-	-
-	-	-	-	7783/HPC/WH	-	-	-	7783/BKN	-	-	-
7783/PB	-	-	-	7783/HPC	-	-	-	7783/BKN	-	-	-
-	-	-	-	7784/HPC/WH	-	-	-	-	-	-	-
7784/PB	-	-	-	7784/HPC	-	-	-	7784/BKN	-	-	-
7775/PB	-	1091/1	7575/PB	7775/HPC	-	1091/1	7575/HPC	7775/BKN	-	1091/1	-
7777/PB	-	1092/1	7577/PB	7777/HPC	-	1092/1	7577/HPC	7777/BKN	-	1092/1	-
-	-	1091/1	7507/PB	-	-	1091/1	7507/HPC	-	-	1091/1	7507/BKN
-	-	1092/1	7509/PB	-	-	1092/1	7509/HPC	-	-	1092/1	7509/BKN
-	-	1901	7711/PB	-	-	1901	7711/HPC	-	-	1901	7711/BKN
-	-	1902	7712/PB	-	-	1902	7712/HPC	-	-	1902	7712/BKN
-	-	1903	7713/PB	-	-	1903	7713/HPC	-	-	1903	7713/BKN
-	-	1904	7714/PB	-	-	1904	7714/HPC	-	-	1904	7714/BKN
-	-	1906	7716/PB	-	-	1906	7716/HPC	-	-	1906	7716/BKN
-	-	1908	7718/PB	-	-	1908	7718/HPC	-	-	1908	7718/BKN
-	4430/7PB	-	-	-	4430/7HPC	-	-	-	-	-	-
-	4530/7PB	-	-	-	4530/7HPC	-	-	-	4530/7BKN	-	-
-	4489/7PB	-	-	-	4489/7HPC	-	-	-	4489/7BKN	-	-
-	4490/7PB	-	-	-	4490/7HPC	-	-	-	4490/7BKN	-	-
-	4553/7PB	-	-	-	4553/7HPC	-	-	-	4553/7BKN	-	-
-	4450/7PB	-	-	-	4450/7HPC	-	-	-	4450/7BKN	-	-
-	4550/7PB	-	-	-	4550/7HPC	-	-	-	4550/7BKN	-	-
-	4552/7PB	-	-	-	4552/7HPC	-	-	-	-	-	-
-	4535/7PB	-	-	-	4535/7HPC	-	-	-	4535/7BKN	-	-
-	4460/7PB	-	-	-	4460/7HPC	-	-	-	4460/7BKN	-	-

SCREWLESS LOW PROFILE DECORATIVE 10AX SWITCHES



7170/BKN



7175/HPC

10AX SWITCHES

BS EN 60669-1

10AX INTERMEDIATE SWITCHES

BS EN 60669-1

METAL PLATE FINISHES

1 GANG

1 GANG

COMPLETE ASSEMBLY

WHITE MOULDED	7170/WH	2 Way	7175/WH
SATIN CHROME	7170/SC	2 Way	7175/SC
POLISHED BRASS	7170/PB	2 Way	7175/PB
POLISHED CHROME	7170/HPC	2 Way	7175/HPC
BLACK NICKEL	7170/BKN	2 Way	7175/BKN

INTERIOR

SATIN CHROME	1170/1SC	Switch Interior	1175/1SC	Switch Interior
POLISHED BRASS	1170/1PB	Switch Interior	1175/1PB	Switch Interior
POLISHED CHROME	1170/1HPC	Switch Interior	1175/1HPC	Switch Interior

FRONT PLATE

SATIN CHROME	7501/SC	Switch Front Plate	7501/SC	Switch Front Plate
POLISHED BRASS	7501/PB	Switch Front Plate	7501/PB	Switch Front Plate
POLISHED CHROME	7501/HPC	Switch Front Plate	7501/HPC	Switch Front Plate
WHITE MOULDED	5501/WH	Switch Front Plate	5501/WH	Switch Front Plate

Dimension White Moulded

Height	91mm
Width	91mm
Depth	4.6mm

Dimension Metal Plate

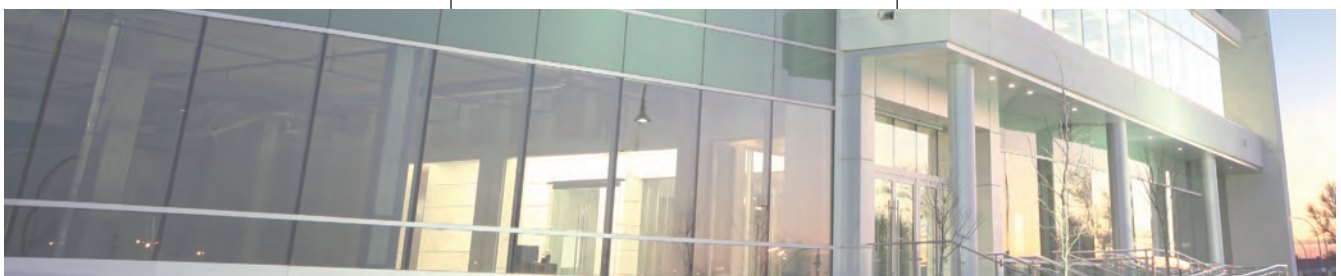
Height	88mm
Width	88mm
Depth	3.1mm

Dimension White Moulded

Height	91mm
Width	91mm
Depth	4.6mm

Dimension Metal Plate

Height	88mm
Width	88mm
Depth	3.1mm



SCREWLESS LOW PROFILE DECORATIVE 10AX SWITCHES



7172/WH

10AX SWITCHES

BS EN 60669-1

2 GANG

7172/WH	2 Way
7172/SC	2 Way
7172/PB	2 Way
7172/HPC	2 Way
7172/BKN	2 Way

1172/1SC	Switch Interior
1172/1PB	Switch Interior
1172/1HPC	Switch Interior

7502/SC	Switch Front Plate
7502/PB	Switch Front Plate
7502/HPC	Switch Front Plate
5502/WH	Switch Front Plate

Dimension White Moulded

Height	91mm
Width	91mm
Depth	4.6mm

Dimension Metal Plate

Height	88mm
Width	88mm
Depth	3.1mm



7173/SC

10AX SWITCHES

BS EN 60669-1

3 GANG

7173/WH	2 Way
7173/SC	2 Way
7173/PB	2 Way
7173/HPC	2 Way
7173/BKN	2 Way

1173/1SC	Switch Interior
1173/1PB	Switch Interior
1173/1HPC	Switch Interior

7503/SC	Switch Front Plate
7503/PB	Switch Front Plate
7503/HPC	Switch Front Plate
5503/WH	Switch Front Plate

Dimension White Moulded

Height	91mm
Width	91mm
Depth	4.6mm

Dimension Metal Plate

Height	88mm
Width	88mm
Depth	3.1mm



7T70/PB

10AX TOGGLE SWITCHES

BS EN 60669-1

1 GANG

2 GANG

-	-
7T70/SC	2 Way
7T70/PB	2 Way
7T70/HPC	2 Way
7T70/BKN	2 Way
7T72/SC	2 Way
7T72/PB	2 Way
7T72/HPC	2 Way
7T72/BKN	2 Way

-	-
-	-
-	-

-	-
-	-
-	-
-	-

Dimension White Moulded

Height	91mm
Width	91mm
Depth	4.6mm

Dimension Metal Plate

Height	88mm
Width	88mm
Depth	3.1mm



SCREWLESS LOW PROFILE DECORATIVE DIMMER SWITCHES



7250/D1HPC



7250/D2BKN

250W DIMMER

BS EN 55014-1
BS EN 60669-2-1

250W DIMMER

BS EN 55014-1
BS EN 60669-2-1

METAL PLATE FINISHES

1 GANG

2 GANG

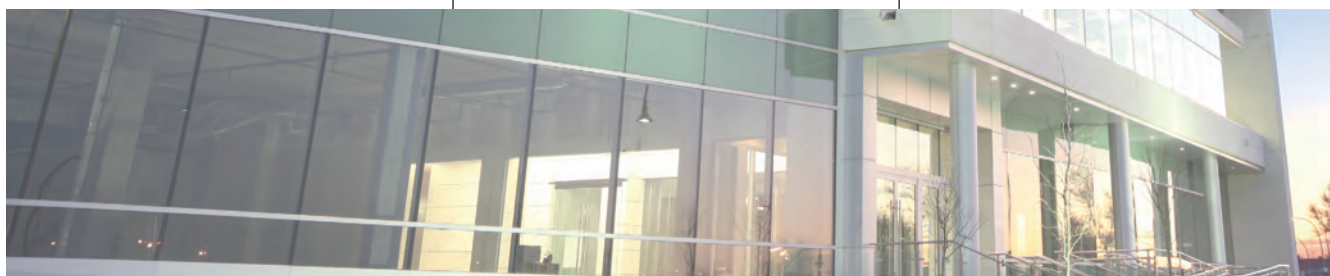
COMPLETE ASSEMBLY		
WHITE MOULDED	-	-
SATIN CHROME	7250/D1SC 2 Way	7250/D2SC 2 Way
POLISHED BRASS	7250/D1PB 2 Way	7250/D2PB 2 Way
POLISHED CHROME	7250/D1HPC 2 Way	7250/D2HPC 2 Way
BLACK NICKEL BLACK INSERT	7250/D1BKN 2 Way	7250/D2BKN 2 Way
GRID	1041/2	1041/2
FRONT PLATE		
SATIN CHROME	7561/SC	7562/SC
POLISHED BRASS	7561/PB	7562/PB
POLISHED CHROME	7561/HPC	7562/HPC
WHITE MOULDED	-	-

Dimension Metal Plate

Height 88mm
Width 88mm
Depth 3.1mm

Dimension Metal Plate

Height 88mm
Width 88mm
Depth 3.1mm



SCREWLESS LOW PROFILE DECORATIVE DIMMER SWITCHES



7250/D3SC

250W DIMMER

BS EN 55014-1
BS EN 60669-2-1

3 GANG



7400/D1PB

400W DIMMER

BS EN 55014-1
BS EN 60669-2-1

1 GANG



7400/D2WH

400W DIMMER

BS EN 55014-1
BS EN 60669-2-1

2 GANG

-	7400/D1WH 2 Way	7400/D2WH 2 Way
7250/D3SC 2 Way	7400/D1SC 2 Way	7400/D2SC 2 Way
7250/D3PB 2 Way	7400/D1PB 2 Way	7400/D2PB 2 Way
7250/D3HPC 2 Way	7400/D1HPC 2 Way	7400/D2HPC 2 Way
7250/D3BKN 2 Way	7400/D1BKN 2 Way	7400/D2BKN 2 Way
1043	1041/2	1041/2
7563/SC	7561/SC	7562/SC
7563/PB	7561/PB	7562/PB
7563/HPC	7561/HPC	7562/HPC
-	5561/WH	5562/WH

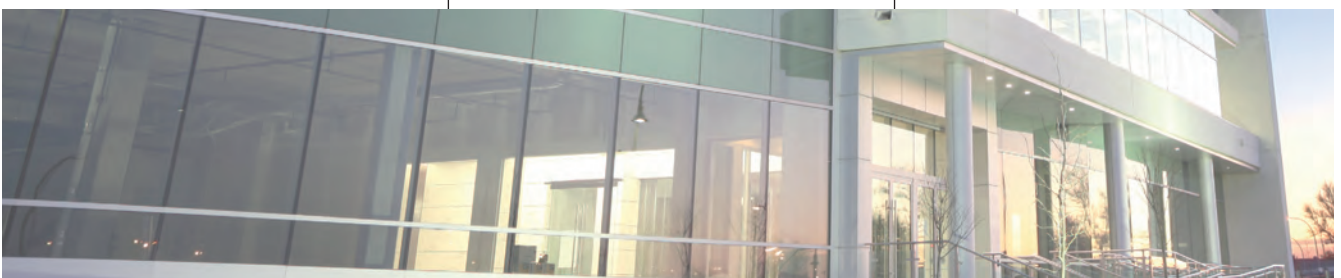
Dimension Metal Plate
Height 88mm
Width 148mm
Depth 3.1mm

Dimension White Moulded
Height 91mm
Width 91mm
Depth 4.6mm

Dimension Metal Plate
Height 88mm
Width 88mm
Depth 3.1mm

Dimension White Moulded
Height 91mm
Width 91mm
Depth 4.6mm

Dimension Metal Plate
Height 88mm
Width 88mm
Depth 3.1mm



SCREWLESS LOW PROFILE DECORATIVE DIMMER SWITCHES



7100/D1SCLED



7100/D2BKNLED

5 - 100W LED DIMMER

BS EN 55014-1
BS EN 60669-2-1

5 - 100W LED DIMMER

BS EN 55014-1
BS EN 60669-2-1

METAL PLATE FINISHES

1 GANG

2 GANG

COMPLETE ASSEMBLY

WHITE MOULDED

-

-

SATIN CHROME

7100/D1SCLED 2 Way

7100/D2SCLED 2 Way

POLISHED BRASS

7100/D1PBLED 2 Way

7100/D2PBLED 2 Way

POLISHED CHROME

7100/D1HPCLED 2 Way

7100/D2HPCLED 2 Way

BLACK NICKEL BLACK INSERT

7100/D1BKNLED 2 Way

7100/D2BKNLED 2 Way

GRID

1041/2

1041/2

FRONT PLATE

SATIN CHROME

7561/SC

7562/SC

POLISHED BRASS

7561/PB

7562/PB

POLISHED CHROME

7561/HPC

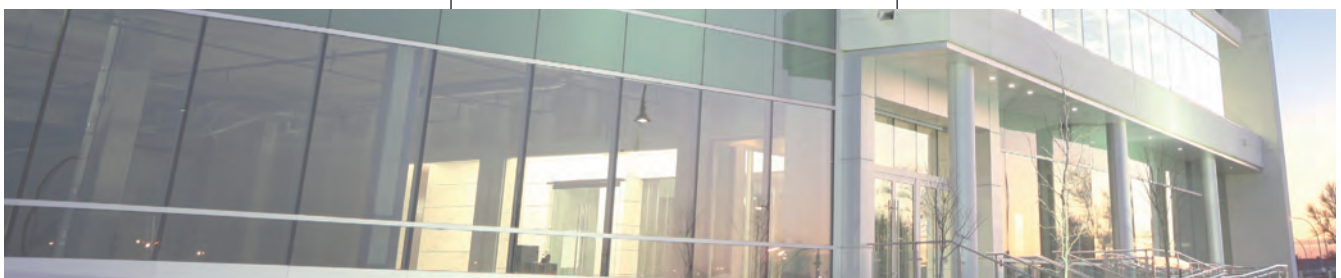
7562/HPC

Dimension Metal Plate

Height 88mm
Width 88mm
Depth 3.1mm

Dimension Metal Plate

Height 88mm
Width 88mm
Depth 3.1mm



SCREWLESS LOW PROFILE DECORATIVE DIMMER SWITCHES



7400/TD1BKN

400W TOUCH DIMMER

BS EN 55014-1
BS EN 60669-2-1

1 GANG



7400/RD1SC

400W TOUCH/REMOTE DIMMER

BS EN 55014-1
BS EN 60669-2-1

1 GANG

-	-
7400/TD1SC	1 Way
7400/TD1PB	1 Way
7400/TD1HPC	1 Way
7400/TD1BKN	1 Way

-	-
7400/RD1SC	1 Way
7400/RD1PB	1 Way
7400/RD1HPC	1 Way
7400/RD1BKN	1 Way

Dimension Metal Plate

Height	88mm
Width	88mm
Depth	3.1mm

Dimension Metal Plate

Height	88mm
Width	88mm
Depth	3.1mm



SCREWLESS LOW PROFILE DECORATIVE SOCKETS



7314/BKN



7314/3HPC

13A DP SWITCHED SOCKETS DUAL EARTH

BS 1363-2

1 GANG

13A DP SWITCHED SOCKETS DUAL EARTH WITH NEON

BS 1363-2

1 GANG

METAL PLATE FINISHES

COMPLETE ASSEMBLY

WHITE MOULDED	7314/WH		7314/3WH	
SATIN CHROME WHITE INSERT	7314/SC/WH		7314/3SC/WH	
SATIN CHROME BLACK INSERT	7314/SC		7314/3SC	
POLISHED BRASS BLACK INSERT	7314/PB		7314/3PB	
POLISHED CHROME WHITE INSERT	7314/HPC/WH		-	
POLISHED CHROME BLACK INSERT	7314/HPC		7314/3HPC	
BLACK NICKEL BLACK INSERT	7314/BKN		7314/3BKN	

INTERIOR

SATIN CHROME WHITE INSERT	1314/1SC/WH	Socket Interior	1314/13SC/WH	Socket Interior
SATIN CHROME BLACK INSERT	1314/1SC	Socket Interior	1314/13SC	Socket Interior
POLISHED BRASS WHITE INSERT	1314/1PB/WH	Socket Interior	1314/13PB/WH	Socket Interior
POLISHED BRASS BLACK INSERT	1314/1PB	Socket Interior	1314/13PB	Socket Interior
POLISHED CHROME WHITE INSERT	1314/1HPC/WH	Socket Interior	1314/13HPC/WH	Socket Interior
POLISHED CHROME BLACK INSERT	1314/1HPC	Socket Interior	1314/13HPC	Socket Interior

FRONT PLATE

SATIN CHROME	7504/SC	Socket Front Plate	7504/3SC	Socket Front Plate
POLISHED BRASS	7504/PB	Socket Front Plate	7504/3PB	Socket Front Plate
POLISHED CHROME	7504/HPC	Socket Front Plate	7504/3HPC	Socket Front Plate
WHITE MOULDED	5504/WH	Socket Front Plate	5504/3WH	Socket Front Plate

Dimension White Moulded

Height	91mm
Width	91mm
Depth	4.6mm

Dimension Metal Plate

Height	88mm
Width	88mm
Depth	3.1mm

Dimension White Moulded

Height	91mm
Width	91mm
Depth	4.6mm

Dimension Metal Plate

Height	88mm
Width	88mm
Depth	3.1mm

For technical and dimensional data please refer to the Technical Information section

SCREWLESS LOW PROFILE DECORATIVE SOCKETS



7316/PB

13A DP SWITCHED SOCKETS DUAL EARTH

BS 1363-2

2 GANG



7316/3HPC

13A DP SWITCHED SOCKETS DUAL EARTH WITH NEON

BS 1363-2

2 GANG



7316USB/SC/D

13A DP SWITCHED SOCKETS WITH DUAL USB OUTLETS 2.1A

BS 1363-2

2 GANG

7316/WH

7316/SC/WH

7316/SC

7316/PB

7316/HPC/WH

7316/HPC

7316/BKN

1316/1SC/WH Socket Interior

1316/1SC Socket Interior

1316/1PB/WH Socket Interior

1316/1PB Socket Interior

1316/1HPC/WH Socket Interior

1316/1HPC Socket Interior

7506/SC Socket Front Plate

7506/PB Socket Front Plate

7506/HPC Socket Front Plate

5506/WH Socket Front Plate

7316/3WH

7316/3SC/WH

7316/3SC

7316/3PB

7316/3HPC/WH

7316/3HPC

7316/3BKN

1316/13SC/WH Socket Interior

1316/13SC Socket Interior

1316/13PB/WH Socket Interior

1316/13PB Socket Interior

1316/13HPC/WH Socket Interior

1316/13HPC Socket Interior

7506/3SC Socket Front Plate

7506/3PB Socket Front Plate

7506/3HPC Socket Front Plate

5506/3WH Socket Front Plate

Dimension White Moulded

Height 91mm
Width 151mm
Depth 4.6mm

Dimension Metal Plate

Height 88mm
Width 148mm
Depth 3.1mm

Dimension Metal Plate

Height 88mm
Width 148mm
Depth 3.1mm

For technical and dimensional data please refer to the Technical Information section

SCREWLESS LOW PROFILE DECORATIVE SOCKETS



7560/HPC + 1075/1



7340/HPC

2A UNSWITCHED SOCKETS

BS 546

5A UNSWITCHED SOCKETS

BS 546

METAL PLATE FINISHES

1 GANG

1 GANG

COMPLETE ASSEMBLY

WHITE MOULDED	-		7340/WH
SATIN CHROME WHITE INSERT	-		7340/SC/WH
SATIN CHROME BLACK INSERT	-		-
POLISHED BRASS BLACK INSERT	-		7340/PB
POLISHED CHROME WHITE INSERT	-		-
POLISHED CHROME BLACK INSERT	-		7340/HPC
BLACK NICKEL BLACK INSERT	-		7340/BKN

INTERIOR

SATIN CHROME WHITE INSERT	1075/1WH	Socket Interior	1340/1WH	Socket Interior
SATIN CHROME BLACK INSERT	1075/1	Socket Interior	1340/1	Socket Interior
POLISHED BRASS WHITE INSERT	1075/1WH	Socket Interior	1340/1WH	Socket Interior
POLISHED BRASS BLACK INSERT	1075/1	Socket Interior	1340/1	Socket Interior
POLISHED CHROME WHITE INSERT	1075/1WH	Socket Interior	1340/1WH	Socket Interior
POLISHED CHROME BLACK INSERT	1075/1	Socket Interior	1340/1	Socket Interior

FRONT PLATE

SATIN CHROME	7560/SC	Socket Front Plate	7579/SC	Socket Front Plate
POLISHED BRASS	7560/PB	Socket Front Plate	7579/PB	Socket Front Plate
POLISHED CHROME	7560/HPC	Socket Front Plate	7579/HPC	Socket Front Plate
WHITE MOULDED	-		7579/WH	Socket Front Plate

Dimension White Moulded

Height	91mm
Width	91mm
Depth	4.6mm

Dimension Metal Plate

Height	88mm
Width	88mm
Depth	3.1mm

Dimension White Moulded

Height	91mm
Width	91mm
Depth	4.6mm

Dimension Metal Plate

Height	88mm
Width	88mm
Depth	3.1mm

For technical and dimensional data please refer to the Technical Information section

SCREWLESS LOW PROFILE DECORATIVE SWITCHED FCU



7272/WH

15A SWITCHED SOCKETS

BS 546

1 GANG



7832/BKN

13A DP SWITCHED FUSED CONNECTION UNIT

BS 1363-4

1 GANG



7832/3SC

13A DP SWITCHED FUSED CONNECTION UNIT WITH NEON INDICATOR

BS 1363-4

1 GANG

7272/WH

-

7272/SC

-

-

-

-

7832/WH

7832/SC/WH

7832/SC

7832/PB

7832/HPC/WH

7832/HPC

7832/BKN

7832/3WH

7832/3SC/WH

7832/3SC

7832/3PB

7832/3HPC/WH

7832/3HPC

7832/3BKN

1272/1SC/WH Socket Interior

1272/1SC Socket Interior

1272/1PB/WH Socket Interior

1272/1PB Socket Interior

1272/1HPC/WH Socket Interior

1272/1HPC Socket Interior

1832/1SC/WH FCU Interior

1832/1SC FCU Interior

1832/1PB/WH FCU Interior

1832/1PB FCU Interior

1832/1HPC/WH FCU Interior

1832/1HPC FCU Interior

1832/13SC/WH FCU Interior

1832/13SC FCU Interior

1832/13PB/WH FCU Interior

1832/13PB FCU Interior

1832/13HPC/WH FCU Interior

1832/13HPC FCU Interior

7515/SC Socket Front Plate

7515/PB Socket Front Plate

7515/HPC Socket Front Plate

5515/WH Socket Front Plate

7508/SC FCU Front Plate

7508/PB FCU Front Plate

7508/HPC FCU Front Plate

5508/WH FCU Front Plate

7508/3SC FCU Front Plate

7508/3PB FCU Front Plate

7508/3HPC FCU Front Plate

5508/3WH FCU Front Plate

Dimension White Moulded

Height 91mm
Width 91mm
Depth 4.6mm

Dimension Metal Plate

Height 88mm
Width 88mm
Depth 3.1mm

Dimension White Moulded

Height 91mm
Width 91mm
Depth 4.6mm

Dimension Metal Plate

Height 88mm
Width 88mm
Depth 3.1mm

Dimension White Moulded

Height 91mm
Width 91mm
Depth 4.6mm

Dimension Metal Plate

Height 88mm
Width 88mm
Depth 3.1mm

For technical and dimensional data please refer to the Technical Information section

SCREWLESS LOW PROFILE DECORATIVE SWITCHED FCU



7533/SC + 1837/1SC

13A DP SWITCHED FUSED CONNECTION UNIT WITH CORD OUTLET

BS 1363-4

1 GANG



7533/3SC + 1837/13SC

13A DP SWITCHED FUSED CONNECTION UNIT WITH CORD OUTLET AND NEON INDICATOR

BS 1363-4

1 GANG

METAL PLATE FINISHES

COMPLETE ASSEMBLY

WHITE MOULDED	-	-
SATIN CHROME WHITE INSERT	-	-
SATIN CHROME BLACK INSERT	-	-
POLISHED BRASS WHITE INSERT	-	-
POLISHED BRASS BLACK INSERT	-	-
POLISHED CHROME WHITE INSERT	-	-
POLISHED CHROME BLACK INSERT	-	-
BLACK NICKEL BLACK INSERT	-	-

INTERIOR

SATIN CHROME WHITE INSERT	1837/1SC/WH	FCU Interior	1837/13SC/WH	FCU Interior
SATIN CHROME BLACK INSERT	1837/1SC	FCU Interior	1837/13SC	FCU Interior
POLISHED BRASS WHITE INSERT	1837/1PB/WH	FCU Interior	1837/13PB/WH	FCU Interior
POLISHED BRASS BLACK INSERT	1837/1PB	FCU Interior	1837/13PB	FCU Interior
POLISHED CHROME WHITE INSERT	1837/1HPC/WH	FCU Interior	1837/13HPC/WH	FCU Interior
POLISHED CHROME BLACK INSERT	1837/1HPC	FCU Interior	1837/13HPC	FCU Interior

FRONT PLATE

SATIN CHROME	7533/SC	FCU Front Plate	7533/3SC	FCU Front Plate
POLISHED BRASS	7533/PB	FCU Front Plate	7533/3PB	FCU Front Plate
POLISHED CHROME	7533/HPC	FCU Front Plate	7533/3HPC	FCU Front Plate
WHITE MOULDED	-	-	-	-

Dimension White Moulded

Height	91mm
Width	91mm
Depth	4.6mm

Dimension Metal Plate

Height	88mm
Width	88mm
Depth	3.1mm

Dimension White Moulded

Height	91mm
Width	91mm
Depth	4.6mm

Dimension Metal Plate

Height	88mm
Width	88mm
Depth	3.1mm

For technical and dimensional data please refer to the Technical Information section



7511/SC + 4436 + 1901



7512/PB + 4436/BK + 4494/BK + 1902

13A UNSWITCHED FUSED CONNECTION UNIT

BS 1363-4
USING ROCKERGRID

1 GANG

13A UNSWITCHED FUSED CONNECTION UNIT COMPLETE WITH NEON

BS 1363-4
USING ROCKERGRID

1 GANG

METAL PLATE FINISHES

INTERIOR		
WHITE	4436 + 1901	4436 + 4494 + 1902
BLACK	4436/BK + 1901	4436/BK + 4494/BK + 1902
FRONT PLATE		
SATIN CHROME	7511/SC	7512/SC
POLISHED BRASS	7511/PB	7512/PB
POLISHED CHROME	7511/HPC	7512/HPC
BLACK NICKEL	7511/BKN	7512/BKN
WHITE MOULDED	5511/WH	5512/WH

Dimension White Moulded

Height 91mm
Width 91mm
Depth 4.6mm

Dimension Metal Plate

Height 88mm
Width 88mm
Depth 3.1mm

Dimension White Moulded

Height 91mm
Width 91mm
Depth 4.6mm

Dimension Metal Plate

Height 88mm
Width 88mm
Depth 3.1mm

For technical and dimensional data please refer to the Technical Information section

SCREWLESS LOW PROFILE DECORATIVE CONTROL SWITCHES



7512/BKN + 4436/BK + 4435/BK + 1902



7018/BKN

13A UNSWITCHED FUSED CONNECTION UNIT COMPLETE WITH CORD OUTLET

BS 1363-4
USING ROCKERGRID
1 GANG

3A KEY CARD SWITCHES

BS EN 60669-1

1 GANG

METAL PLATE FINISHES

COMPLETE ASSEMBLY		
WHITE MOULDED	5512/WH + 4436 + 4435 + 1902	-
SATIN CHROME WHITE INSERT	7512/SC + 4436 + 4435 + 1902	7018/SC
SATIN CHROME BLACK INSERT	7512/SC + 4436/BK + 4435/BK + 1902	7018/SC/BK
POLISHED BRASS WHITE INSERT	7512/PB + 4436 + 4435 + 1902	7018/PB
POLISHED BRASS BLACK INSERT	7512/PB + 4436/BK + 4435/BK + 1902	7018/PB/BK
POLISHED CHROME WHITE INSERT	7512/HPC + 4436 + 4435 + 1902	7018/HPC
POLISHED CHROME BLACK INSERT	7512/HPC + 4436/BK + 4435/BK + 1902	7018/HPC
BLACK NICKEL BLACK INSERT	7512/BKN + 4436/BK + 4435/BK + 1902	7018/BKN
INTERIOR		
SATIN CHROME	-	-
POLISHED BRASS	-	-
POLISHED CHROME	-	-
FRONT PLATE		
SATIN CHROME	7512/SC	-
POLISHED BRASS	7512/PB	-
POLISHED CHROME	7512/HPC	-
WHITE MOULDED	5512/WH	-

Dimension White Moulded

Height 91mm
Width 91mm
Depth 4.6mm

Dimension Metal Plate

Height 88mm
Width 88mm
Depth 3.1mm

Dimension White Moulded

Height 91mm
Width 91mm
Depth 4.6mm

Dimension Metal Plate

Height 88mm
Width 88mm
Depth 3.1mm

For technical and dimensional data please refer to the Technical Information section

SCREWLESS LOW PROFILE DECORATIVE CONTROL SWITCHES



7017/WH

6A THREE POLE ISOLATOR SWITCHES

BS EN 60669-1, BS EN 60947-3

1 GANG



7011/HPC

20A DP SWITCHES

BS EN 60669-1

1 GANG



7011/3SC

20A DP SWITCHES WITH NEON INDICATOR

BS EN 60669-1

1 GANG

7017/WH

7017/SC

7017/PB

7017/HPC

7017/BKN

-

-

-

1017/1SC Switch Interior

1017/1PB Switch Interior

1017/1HPC Switch Interior

7505/SC Switch Front Plate

7505/PB Switch Front Plate

7505/HPC Switch Front Plate

5505/WH Switch Front Plate

7011/WH

7011/SC

7011/PB

7011/HPC

7011/BKN

-

-

-

1011/1SC Switch Interior

1011/1PB Switch Interior

1011/1HPC Switch Interior

7520/SC Switch Front Plate

7520/PB Switch Front Plate

7520/HPC Switch Front Plate

5520/WH Switch Front Plate

7011/3WH

7011/3SC

7011/3PB

7011/3HPC

7011/3BKN

-

-

-

1011/13SC Switch Interior

1011/13PB Switch Interior

1011/13HPC Switch Interior

7520/3SC Switch Front Plate

7520/3PB Switch Front Plate

7520/3HPC Switch Front Plate

5520/3WH Switch Front Plate

Dimension White Moulded

Height 91mm
Width 91mm
Depth 4.6mm

Dimension Metal Plate

Height 88mm
Width 88mm
Depth 3.1mm

Dimension White Moulded

Height 91mm
Width 91mm
Depth 4.6mm

Dimension Metal Plate

Height 88mm
Width 88mm
Depth 3.1mm

Dimension White Moulded

Height 91mm
Width 91mm
Depth 4.6mm

Dimension Metal Plate

Height 88mm
Width 88mm
Depth 3.1mm

For technical and dimensional data please refer to the Technical Information section

SCREWLESS LOW PROFILE DECORATIVE CONTROL SWITCHES



7532/PB + 1012/1PB



7532/3SC + 1012/13SC

32A DP SWITCHES

BS EN 60669-1

32A DP SWITCHES WITH NEON INDICATOR

BS EN 60669-1

METAL PLATE FINISHES

1 GANG

1 GANG

COMPLETE ASSEMBLY

WHITE MOULDED	-
SATIN CHROME	-
POLISHED BRASS	-
POLISHED CHROME	-
BLACK NICKEL BLACK INSERT	-

7012/WH

7012/3WH

INTERIOR

SATIN CHROME	-
POLISHED BRASS	-
POLISHED CHROME	-

1012/1SC	Switch Interior
1012/1PB	Switch Interior
1012/1HPC	Switch Interior

1012/13SC	Switch Interior
1012/13PB	Switch Interior
1012/13HPC	Switch Interior

FRONT PLATE

SATIN CHROME	-
POLISHED BRASS	-
POLISHED CHROME	-
WHITE MOULDED	-

7532/SC	Switch Front Plate
7532/PB	Switch Front Plate
7532/HPC	Switch Front Plate
5532/WH	Switch Front Plate

7532/3SC	Switch Front Plate
7532/3PB	Switch Front Plate
7532/3HPC	Switch Front Plate
5532/3WH	Switch Front Plate

Dimension White Moulded

Height	91mm
Width	91mm
Depth	4.6mm

Dimension Metal Plate

Height	88mm
Width	88mm
Depth	3.1mm

Dimension White Moulded

Height	91mm
Width	91mm
Depth	4.6mm

Dimension Metal Plate

Height	88mm
Width	88mm
Depth	3.1mm

For technical and dimensional data please refer to the Technical Information section

SCREWLESS LOW PROFILE DECORATIVE CONTROL SWITCHES



7015/PB



7015/3HPC



7016/3BKN

45A DP SWITCHES

BS EN 60669-1

1 GANG

45A DP SWITCHES WITH NEON INDICATOR

BS EN 60669-1

1 GANG

45A DP SWITCHES WITH NEON INDICATOR

BS EN 60669-1

2 GANG

7015/WH

7015/SC

7015/PB

7015/HPC

7015/BKN

1512/1SC Switch Interior

1512/1PB Switch Interior

1512/1HPC Switch Interior

7545/SC Switch Front Plate

7545/PB Switch Front Plate

7545/HPC Switch Front Plate

5545/WH Switch Front Plate

7015/3WH

7015/3SC

7015/3PB

7015/3HPC

7015/3BKN

1512/13SC Switch Interior

1512/13PB Switch Interior

1512/13HPC Switch Interior

7545/3SC Switch Front Plate

7545/3PB Switch Front Plate

7545/3HPC Switch Front Plate

-

-

7016/3SC

7016/3PB

7016/3HPC

7016/3BKN

1513/13SC Switch Interior

1513/13PB Switch Interior

1513/13HPC Switch Interior

-

-

-

-

Dimension White Moulded

Height 91mm
Width 91mm
Depth 4.6mm

Dimension Metal Plate

Height 88mm
Width 88mm
Depth 3.1mm

Dimension White Moulded

Height 91mm
Width 91mm
Depth 4.6mm

Dimension Metal Plate

Height 88mm
Width 88mm
Depth 3.1mm

Dimension White Moulded

Height 91mm
Width 91mm
Depth 4.6mm

Dimension Metal Plate

Height 88mm
Width 88mm
Depth 3.1mm

For technical and dimensional data please refer to the Technical Information section

SCREWLESS LOW PROFILE DECORATIVE CONTROL SWITCHES



7521/HPC



7521/3BKN

45A DP COOKER CONTROL UNIT
BS 4177

45A DP COOKER CONTROL UNIT WITH NEON INDICATOR
BS 4177

METAL PLATE FINISHES

2 GANG

2 GANG

COMPLETE ASSEMBLY

WHITE MOULDED	7521/WH	-
SATIN CHROME WHITE INSERT	7521/SC/WH	7521/3SC/WH
SATIN CHROME BLACK INSERT	-	7521/3SC
POLISHED BRASS BLACK INSERT	7521/PB	7521/3PB
POLISHED CHROME WHITE INSERT	7521/HPC/WH	7521/3HPC/WH
POLISHED CHROME BLACK INSERT	7521/HPC	7521/3HPC
BLACK NICKEL BLACK INSERT	7521/BKN	7521/3BKN

INTERIOR

SATIN CHROME WHITE INSERT	1522/1SC/WH	CCU Interior	1522/13SC/WH	CCU Interior
SATIN CHROME BLACK INSERT	1522/1SC	CCU Interior	1522/13SC	CCU Interior
POLISHED BRASS WHITE INSERT	1522/1PB/WH	CCU Interior	1522/13PB/WH	CCU Interior
POLISHED BRASS BLACK INSERT	1522/1PB	CCU Interior	1522/13PB	CCU Interior
POLISHED CHROME WHITE INSERT	1522/1HPC/WH	CCU Interior	1522/13HPC/WH	CCU Interior
POLISHED CHROME BLACK INSERT	1522/1HPC	CCU Interior	1522/13HPC	CCU Interior

FRONT PLATE

SATIN CHROME	7546/SC	CCU Front Plate	7546/3SC	CCU Front Plate
POLISHED BRASS	7546/PB	CCU Front Plate	7546/3PB	CCU Front Plate
POLISHED CHROME	7546/HPC	CCU Front Plate	7546/3HPC	CCU Front Plate
WHITE MOULDED	5546/WH	CCU Front Plate	-	

Dimension White Moulded

Height	91mm
Width	151mm
Depth	4.6mm

Dimension Metal Plate

Height	88mm
Width	148mm
Depth	3.1mm

Dimension White Moulded

Height	91mm
Width	151mm
Depth	4.6mm

Dimension Metal Plate

Height	88mm
Width	148mm
Depth	3.1mm

For technical and dimensional data please refer to the Technical Information section



7411/WH



7777/PB

SHAVER SOCKET DUAL VOLTAGE

BS EN 61558-2-5

BLANK PLATE

BS 5733

METAL PLATE FINISHES

2 GANG

1 GANG

2 GANG

COMPLETE ASSEMBLY

WHITE MOULDED	7411/WH	-	-
SATIN CHROME WHITE INSERT	7411/SC/WH	-	-
SATIN CHROME	7411/SC	7775/SC	7777/SC
POLISHED BRASS	7411/PB	7775/PB	7777/PB
POLISHED CHROME WHITE INSERT	-	-	-
POLISHED CHROME	7411/HPC	7775/HPC	7777/HPC
BLACK NICKEL BLACK INSERT	7411/BKN	-	-
BLACK NICKEL	-	7775/BKN	7777/BKN
INTERIOR			
WHITE	1410/1WH	Socket Interior	-
BLACK	1410/1	Socket Interior	-
MOUNTING FRAME ONLY	-	-	1091/1 1092/1
FRONT PLATE			
SATIN CHROME	7510/SC	Front Plate	7575/SC 7577/SC
POLISHED BRASS	7510/PB	Front Plate	7575/PB 7577/PB
POLISHED CHROME	7510/HPC	Front Plate	7575/HPC 7577/HPC
WHITE MOULDED	5510/WH	Front Plate	5575/WH 5577/WH

NOTE:
For installation, a minimum of a 55mm box is required.
For flush fitting, we recommend using both a SB625 (35mm) metal box, with a SB680 (25mm) extension box.

Dimension White Moulded

Height 91mm
Width 151mm
Depth 4.6mm

Dimension Metal Plate

Height 88mm
Width 148mm
Depth 3.1mm

Dimension White Moulded

Height 91mm
Width 91mm
Depth 4.6mm

Dimension Metal Plate

Height 88mm
Width 88mm
Depth 3.1mm

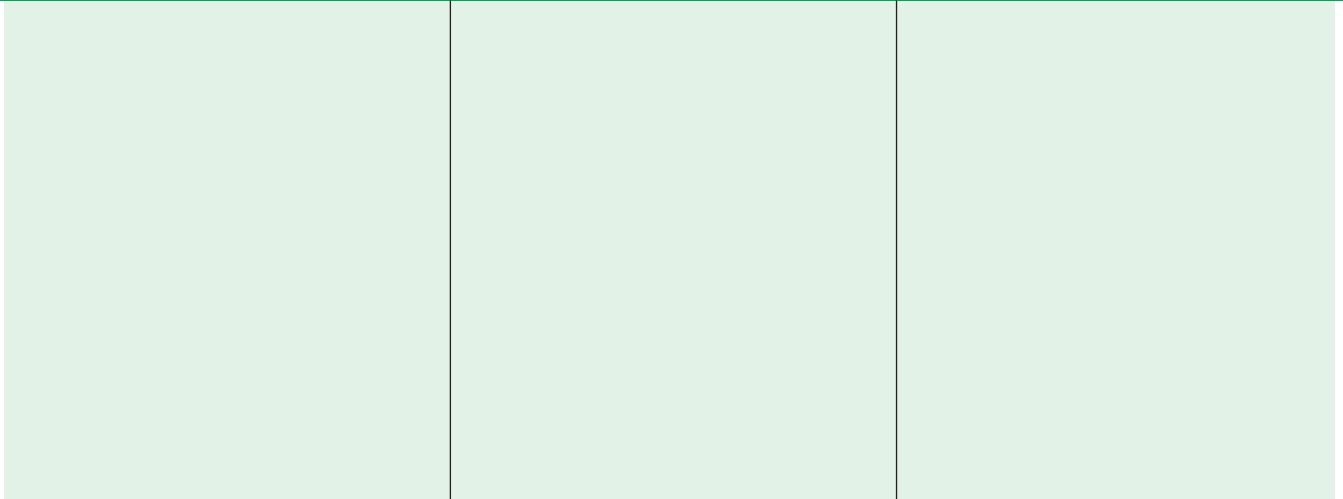
PRODUCT MARKING

A wide range of marking can be added to 13A fused connection units, Control switches and any other wiring accessories shown in the metal plate section. The marking are consistent in style, colour and position.

To order any of the markings please see list below of popular product markings add suffix to list number
 i.e. **7832/SC/WH** marked "fridge freezer" = **7832/SC/WH/FF**

MARKING	SUFFIX	MARKING	SUFFIX
AIR CONDITIONER	AC	HEATING	HG
ALARM	AL	HOB	HB
BATHROOM	BA	HEATING ISOLATOR	HS
BELL TRANSFORMER	BE	HEATER	HT
BATHROOM EXTRACTOR FAN	BEF	IMMERSION HEATER	IH
BATHROOM	BH	KITCHEN EXTRACTOR	KEF
BOILER	BO	LIGHT	LG
BOILER SUPPLY	BOS	LIFT	LI
BOOST	BST	LOFT LIGHT	LL
TO BT SPEC	BT	MICROWAVE	MW
CARAVAN	CA	NIGHT IMMERSION	NI
CCTV	CCTV	OFF PEAK	OFFP
CENTRAL HEATING	CH	OUTSIDE LIGHT	OL
CUPBOARD LIGHT	CL	ON PEAK	ONP
CONVECTOR HEATER	CNH	OVEN	OV
DAY BOOST	DB	PELMET LIGHTS	PEL
DOWNFLOW HEATER	DH	PLINTH HEATER	PLH
DOOR BELL	DO	REFRIDGERATOR	RF
DISHWASHER	DW	SECURITY ALARM	SA
DRYER	DY	SMOKE DETECTOR	SD
EMERGENCY CIRCUIT	EC	SECURITY EQUIPMENT	SE
EXTRACT FAN	EF	SHOWER	SH
EXTRACT HOOD	EH	SECURITY LIGHT	SL
FIRE ALARM	FA	SHOWER PUMP	SP
FOR CLEANERS USE ONLY	FCO	STORAGE HEATER	ST
FAN COIL UNIT	FCU	STEAM CABINET	STC
FEATURE FIRE	FE	TUMBLE DRYER	TD
FRIDGE/FREEZER	FF	TOWEL RAIL	TR
FAN HEATER	FH	TELEVISION	TV
FIRE	FI	UNDERFLOOR HEATING	UH
FAN	FN	VENT FAN	VF
FRIDGE	FR	WATER HEATER	WA
FREEZER	FZ	WATER COOLER	WC
GAS IGNITION	GI	WASTE DISPOSAL	WD
HAND DRYER	HA	WASHING MACHINE	WM
HOB	HB	WASHER	WS
COOKER HOOD	HD		





SCREWLESS LOW PROFILE DECORATIVE COMMUNICATION



7765/HPC



7783/PB

CO-AXIAL

BS 3041

TELEPHONE

BS 3041

METAL PLATE FINISHES

1 GANG

1 GANG

COMPLETE ASSEMBLY

WHITE MOULDED	7765/WH	7783/WH	Secondary
SATIN CHROME WHITE INTERIOR	7765/SC/WH	7783/SC/WH	Secondary
SATIN CHROME BLACK INTERIOR	-	7783/SC	Secondary
POLISHED BRASS	7765/PB	7783/PB	Secondary
POLISHED CHROME WHITE INTERIOR	7765/HPC	7783/HPC/WH	Secondary
POLISHED CHROME BLACK INTERIOR	-	7783/HPC	Secondary
BLACK NICKEL BLACK INSERT	7765/BKN	7783/BKN	Secondary

INTERIOR

SATIN CHROME	-	-
POLISHED BRASS	-	-
POLISHED CHROME	-	-

FRONT PLATE

SATIN CHROME	-	-
POLISHED BRASS	-	-
POLISHED CHROME	-	-
BLACK NICKEL	-	-

WHITE MOULDED	5565/WH	5583/WH
---------------	----------------	----------------

Dimension White Moulded

Height	91mm
Width	91mm
Depth	4.6mm

Dimension Metal Plate

Height	88mm
Width	88mm
Depth	3.1mm

Dimension White Moulded

Height	91mm
Width	91mm
Depth	4.6mm

Dimension Metal Plate

Height	88mm
Width	88mm
Depth	3.1mm

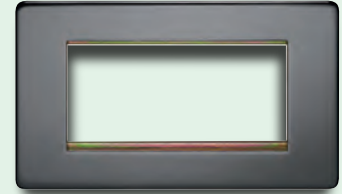
For technical and dimensional data please refer to the Technical Information section



7784/WH



1091/1 + 7507/SC



1092/1 + 7509/BKN

TELEPHONE

BS 3041

1 GANG

7784/WH	Master
7784/SC/WH	Master
7784/SC	Master
7784/PB	Master
7784/HPC/WH	Master
7784/HPC	Master
7784/BKN	Master

MODULE PLATES

BS 5733

1 GANG 2 MODULE

-
-
-
-
-
-
-

MODULE PLATES

BS 5733

2 GANG 4 MODULE

-
-
-
-
-
-
-

-
-
-

1091/1

1092/1

-
-
-
-

7507/SC
7507/PB
7507/HPC
7507/BKN

7509/SC
7509/PB
7509/HPC
7509/BKN

5584/WH

5507/WH

5509/WH

Dimension White Moulded

Height	91mm
Width	91mm
Depth	4.6mm

Dimension Metal Plate

Height	88mm
Width	88mm
Depth	3.1mm

Dimension White Moulded

Height	91mm
Width	91mm
Depth	4.6mm

Dimension Metal Plate

Height	88mm
Width	88mm
Depth	3.1mm

Dimension White Moulded

Height	91mm
Width	91mm
Depth	4.6mm

Dimension Metal Plate

Height	88mm
Width	88mm
Depth	3.1mm

For technical and dimensional data please refer to the Technical Information section



EURO TELEPHONE MODULES

1 MODULE

- 7080** Master - White
- 7080/BK** Master - Black
- 7071** Secondary - White
- 7071/BK** Secondary - Black
- 7086** RJ11 - White
- 7086/BK** RJ11 - Black

EURO DATA MODULES

1 MODULE

- 7172** RJ45 Category 5e - White
- 7172/BK** RJ45 Category 5e - Black
- 7177** RJ45 Category 6 - White
- 7177BK** RJ45 Category 6 - Black
- 7173** Twin RJ45 Category 5e - White

Dimension

Height	50mm
Width	25mm

TV/FM AND SATELLITE MODULES

1 MODULE

- 7065** Male Co-Axial Direct Connection - White
- 7065/BK** Male Co-Axial Direct Connection - Black
- 7060** Male Co-Axial Outlet Screened - White
- 7060/BK** Male Co-Axial Outlet Screened - Black
- 7067** Female Co-Axial Direct Connection - White
- 7067/BK** Female Co-Axial Direct Connection - Black
- 7069** F-Type Satellite - White
- 7069/BK** F-Type Satellite - Black
- 7074** BNC With 75 Ohm Crimp Connector - White
- 7074/BK** BNC With 75 Ohm Crimp Connector - Black
- 7087** Phono (Female) - White
- 7087/BK** Phono (Female) - Black

Dimension

	1 Module
Height	50mm
Width	25mm

TV/FM AND SATELLITE MODULE

2 MODULE

- 7066** TV/FM DAB/SAT/SAT2 Quadplexer - White
- 7066/BK** TV/FM DAB/SAT/SAT2 Quadplexer - Black

3 MODULE

- 7064** TV/FM DAB/SAT/SAT2 Quadplexer with Co-Axial Return - White

Dimension

	2 Module	3 Module
Height	50mm	50mm
Width	50mm	75mm



USB MODULES

BS EN 60950-1, BS EN 61000-6-1/3

1 - 2 MODULE

- 7072/WH** 1 Module USB 2A 5v - White
- 7072/BK** 1 Module USB 2A 5v - Black
- 7073** 2 Module USB 2x1A 5v - White
- 7073/BK** 2 Module USB 2x1A 5v - Black

SOCKET MODULES

BS 546 where applicable

2 MODULE

- CR1933** 2A Round Pin Unswitched Socket

BLANK MODULES

BS 5733

1/2 - 2 MODULES

- 7081/2** 1/2 - White
- 7081/2/BK** 1/2 - Black
- 7081** 1 - White
- 7081/BK** 1 - Black
- 7082** 2 - White
- 7082/BK** 2 - Black

Dimension	1 Module	2 Module
Height	50mm	50mm
Width	25mm	50mm

Dimension	1/2 Module
Height	50mm
Width	12.5mm

Dimension	1 Module	2 Module
Height	50mm	50mm
Width	25mm	50mm

For technical and dimensional data please refer to the Technical Information section

SCREWLESS LOW PROFILE DECORATIVE GRID TRIMLESS



7711/SC



7712/BKN

PLATINUM FLUSH METAL GRID PLATES

BS EN 60669-1 where applicable

PLATINUM FLUSH METAL GRID PLATES

BS EN 60669-1 where applicable

METAL PLATE FINISHES

	1 GANG	2 GANG
SATIN CHROME	7711/SC	7712/SC
POLISHED BRASS	7711/PB	7712/PB
POLISHED CHROME	7711/HPC	7712/HPC
BLACK NICKEL	7711/BKN	7712/BKN
WHITE MOULDED	5511WH	5512/WH

Dimension White Moulded

Height	91mm
Width	91mm
Depth	4.6mm

Dimension Metal Plate

Height	88mm
Width	88mm
Depth	3.1mm

Back Box

Surface Moulded	9047
Flush Galvanised	SB615
Dry Lining	SB619

Dimension White Moulded

Height	91mm
Width	91mm
Depth	4.6mm

Dimension Metal Plate

Height	88mm
Width	88mm
Depth	3.1mm

Back Box

Surface Moulded	9047
Flush Galvanised	SB615
Dry Lining	SB619

For technical and dimensional data please refer to the Technical Information section

SCREWLESS LOW PROFILE DECORATIVE GRID TRIMLESS



7713/PB

PLATINUM FLUSH METAL GRID PLATES

BS EN 60669-1 where applicable

3 GANG

7713/SC

7713/PB

7713/HPC

7713/BKN

5513/WH

Dimension White Moulded

Height	91mm
Width	151mm
Depth	4.6mm

Dimension Metal Plate

Height	88mm
Width	148mm
Depth	3.1mm

Back Box

Surface Moulded	9040
Flush Galvanised	SB625
Dry Lining	SB629



7714/HPC

PLATINUM FLUSH METAL GRID PLATES

BS EN 60669-1 where applicable

4 GANG

7714/SC

7714/PB

7714/HPC

7714/BKN

5514/WH

Dimension White Moulded

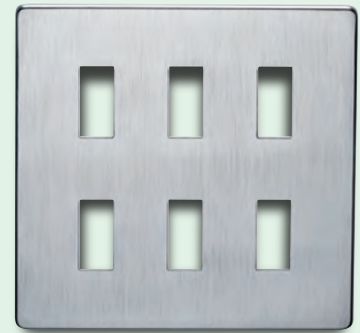
Height	91mm
Width	151mm
Depth	4.6mm

Dimension Metal Plate

Height	88mm
Width	148mm
Depth	3.1mm

Back Box

Surface Moulded	9040
Flush Galvanised	SB625
Dry Lining	SB629



7716/SC

PLATINUM FLUSH METAL GRID PLATES

BS EN 60669-1 where applicable

6 GANG

7716/SC

7716/PB

7716/HPC

7716/BKN

-

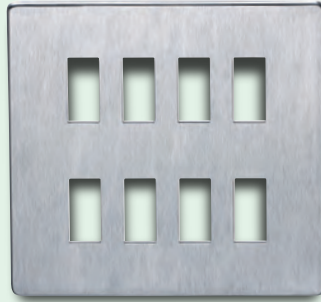
Dimension Metal Plate

Height	148mm
Width	148mm
Depth	3.1mm

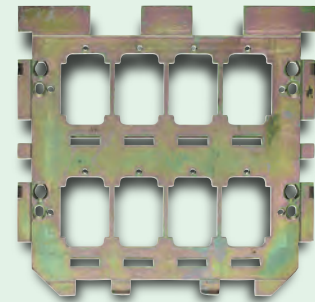
Back Box

Flush	9206/BG
Surface with Knockouts	9206/BG
Surface Plain	9206/PBG

For technical and dimensional data please refer to the Technical Information section



7718/SC



1908

PLATINUM FLUSH METAL GRID PLATES

BS EN 60669-1 where applicable

GRID YOKES

BS 5733

METAL PLATE FINISHES

SATIN CHROME	7718/SC
POLISHED BRASS	7718/PB
POLISHED CHROME	7718/HPC
BLACK NICKEL	7718/BKN

8 GANG

1 - 8 GANG

1901	1 Gang
1902	2 Gang
1903	3 Gang
1904	4 Gang
1906	6 Gang
1908	8 Gang

Dimension

Height	148mm
Width	148mm
Depth	3.1mm

Back Box

Flush	9206/BG
Surface with Knockouts	9206/BG
Surface Plain	9206/PBG

For technical and dimensional data please refer to the Technical Information section

SCREWLESS LOW PROFILE DECORATIVE GRID TRIMLESS



4430/7SC

10AX GRID SWITCHES METAL ROCKER

BS EN 60669-1

1 MODULE

4430/7SC 1 Way

4430/7PB 1 Way

4430/7HPC 1 Way

-

• Customised printing requirements available on request



4530/7PB

10AX GRID SWITCHES METAL ROCKER

BS EN 60669-1

1 MODULE

4530/7SC 2 Way

4530/7PB 2 Way

4530/7HPC 2 Way

4530/7BKN 2 Way

• Customised printing requirements available on request



4489/7HPC

10A RETRACTIVE GRID SWITCHES METAL ROCKER

BS EN 60669-1

1 MODULE

4489/7SC

4489/7PB

4489/7HPC

4489/7BKN

• Customised printing requirements available on request

SCREWLESS LOW PROFILE DECORATIVE GRID TRIMLESS



4490/7SC



4553/7PB

10A RETRACTIVE GRID SWITCHES

BS EN 60669-1

1 MODULE

10A RETRACTIVE 2 WAY & OFF GRID SWITCHES

BS EN 60669-1

1 MODULE

METAL PLATE FINISHES

SATIN CHROME	4490/7SC	Printed with Bell Symbol	4553/7SC
POLISHED BRASS	4490/7PB	Printed with Bell Symbol	4553/7PB
POLISHED CHROME	4490/7HPC	Printed with Bell Symbol	4553/7HPC
BLACK NICKEL	4490/7BKN	Printed with Bell Symbol	4553/7BKN

• Customised printing requirements available on request

SCREWLESS LOW PROFILE DECORATIVE GRID TRIMLESS



4450/7SC

20AX GRID SWITCHES METAL ROCKER

BS EN 60669-1

1 MODULE

4450/7SC	1 Way
4450/7PB	1 Way
4450/7HPC	1 Way
4450/7BKN	1 Way

- Customised printing requirements available on request



4550/7PB

20AX GRID SWITCHES METAL ROCKER

BS EN 60669-1

1 MODULE

4550/7SC	2 Way
4550/7PB	2 Way
4550/7HPC	2 Way
4550/7BKN	2 Way

- Customised printing requirements available on request



4552/7HPC

20AX GRID SWITCHES METAL ROCKER

BS EN 60669-1

1 MODULE

4552/7SC	2 Way and Off
4552/7PB	2 Way and Off
4552/7HPC	2 Way and Off
-	

- Customised printing requirements available on request

SCREWLESS LOW PROFILE DECORATIVE GRID TRIMLESS



4535/7SC



4460/7PB

**20AX GRID SWITCHES
METAL ROCKER**

BS EN 60669-1

1 MODULE

**20AX GRID SWITCHES
METAL ROCKER**

BS EN 60669-1

1 MODULE

METAL PLATE FINISHES

SATIN CHROME	4535/7SC	Intermediate	4460/7SC	Double Pole
POLISHED BRASS	4535/7PB	Intermediate	4460/7PB	Double Pole
POLISHED CHROME	4535/7HPC	Intermediate	4460/7HPC	Double Pole
BLACK NICKEL	4535/7BKN	Intermediate	4460/7BKN	Double Pole

• Customised printing requirements available on request

• Customised printing requirements available on request



4451/7/WH/ELT



4461/7

20AX 1 & 2 WAY SECRET KEY GRID SWITCHES

BS EN 60669-1

KEY SWITCHES 1 WAY

- 4451/7 Black
- 4451/7/WH White
- 4451/7/ELT Black printed Emergency Light Test
- 4451/7/WH/ELT White printed Emergency Light Test

KEY SWITCHES 2 WAY

- 4551/7 Black
- 4551/7/WH White
- 4551/7/ELT Black printed Emergency Light Test
- 4551/7/WH/ELT White printed Emergency Light Test

20AX DP SECRET KEY GRID SWITCHES

BS EN 60669-1

KEY SWITCHES DP

- 4461/7 Black
- 4461/7/WH White
- 4461/ELT Black printed Emergency Light Test
- 4461/7/WH/ELT White printed Emergency Light Test

GRID SPARE KEY

- 6940 Spare Grid Switch Key

SCREWLESS LOW PROFILE DECORATIVE GRID TRIMMED



7511/SC



7512/PB

**ROCKERGRID FOR PLATINUM
FLUSH METAL GRID PLATES**

**ROCKERGRID FOR PLATINUM
FLUSH METAL GRID PLATES**

METAL PLATE FINISHES

1 GANG

2 GANG

SATIN CHROME	7511/SC	7512/SC
POLISHED BRASS	7511/PB	7512/PB
POLISHED CHROME	7511/HPC	7512/HPC
BLACK NICKEL	7511/BKN	7512/BKN
WHITE	5511/WH	5512/WH

Dimension

Height	88mm
Width	88mm
Depth	3.1mm

Back Box

Surface Moulded	9047
Flush Galvanised	SB615
Dry Lining	SB619

Dimension

Height	88mm
Width	88mm
Depth	3.1mm

Back Box

Surface Moulded	9047
Flush Galvanised	SB615
Dry Lining	SB619

For technical and dimensional data please refer to the Technical Information section

SCREWLESS LOW PROFILE DECORATIVE GRID TRIMMED



7513/HPC

**ROCKERGRID FOR PLATINUM
FLUSH METAL GRID PLATES**

3 GANG

7513/SC

7513/PB

7513/HPC

7513/BKN

5513/WH

Dimension

Height 88mm
Width 148mm
Depth 3.1mm

Back Box

Surface Moulded 9040
Flush Galvanised SB665
Dry Lining SB629



7514/BKN

**ROCKERGRID FOR PLATINUM
FLUSH METAL GRID PLATES**

4 GANG

7514/SC

7514/PB

7514/HPC

7514/BKN

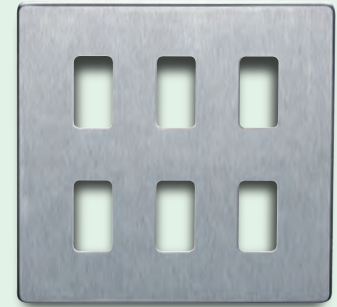
5514/WH

Dimension

Height 88mm
Width 148mm
Depth 3.1mm

Back Box

Surface Moulded 9040
Flush Galvanised SB665
Dry Lining SB629



7516/SC

**ROCKERGRID FOR PLATINUM
FLUSH METAL GRID PLATES**

6 GANG

7516/SC

7516/PB

7516/HPC

7516/BKN

-

Dimension

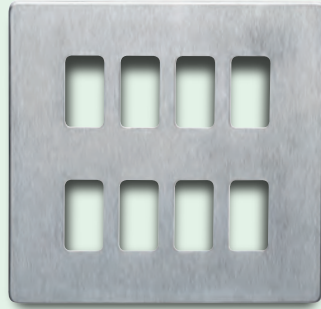
Height 148mm
Width 148mm
Depth 3.1mm

Back Box

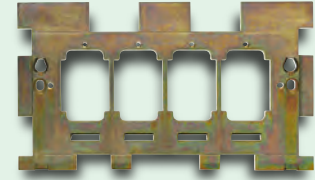
Flush 9206/BG
Surface with Knockouts 9206/BG
Surface Plain 9206/PBG

For technical and dimensional data please refer to the Technical Information section

SCREWLESS LOW PROFILE DECORATIVE GRID TRIMMED



7518/SC



1904

ROCKERGRID FOR PLATINUM FLUSH METAL GRID PLATES

GRID YOKES

BS 5733

METAL PLATE FINISHES

SATIN CHROME	7518/SC
POLISHED BRASS	7518/PB
POLISHED CHROME	7518/HPC
BLACK NICKEL	7518/BKN

8 GANG

1 - 8 GANG

1901	1 Gang
1902	2 Gang
1903	3 Gang
1904	4 Gang
1906	6 Gang
1908	8 Gang

Dimension

Height	148mm
Width	148mm
Depth	3.1mm

Back Box

Flush	9206/BG
Surface with Knockouts	9206/BG
Surface Plain	9206/PBG

SCREWLESS LOW PROFILE DECORATIVE GRID TRIMMED



4430/6SC



4530/6PB

10AX GRID SWITCHES METAL ROCKER

BS EN 60669-1

1 MODULE

10AX GRID SWITCHES METAL ROCKER

BS EN 60669-1

1 MODULE

METAL PLATE FINISHES

SATIN CHROME WHITE SURROUND	4430/6SC/WH	1 Way	4530/6SC/WH	2 Way
SATIN CHROME BLACK SURROUND	4430/6SC	1 Way	4530/6SC	2 Way
POLISHED BRASS WHITE SURROUND	4430/6PB/WH	1 Way	4530/6PB/WH	2 Way
POLISHED BRASS BLACK SURROUND	4430/6PB	1 Way	4530/6PB	2 Way
POLISHED CHROME WHITE SURROUND	4430/6HPC/WH	1 Way	4530/6HPC/WH	2 Way
POLISHED CHROME BLACK SURROUND	4430/6HPC	1 Way	4530/6HPC	2 Way
BLACK NICKEL BLACK SURROUND	-		4530/6BKN	2 Way
WHITE (PLASTIC ROCKER)	4430	1 Way	4530	2 Way

• Customised printing requirements available on request

• Customised printing requirements available on request

SCREWLESS LOW PROFILE DECORATIVE GRID TRIMMED



4489/6SC



4490/6HPC

10A RETRACTIVE GRID SWITCHES

BS EN 60669-1

10A RETRACTIVE GRID SWITCHES

BS EN 60669-1

METAL PLATE FINISHES

1 MODULE

1 MODULE

SATIN CHROME WHITE SURROUND	4489/6SC/WH	4490/6SC/WH	Printed with Bell Symbol
SATIN CHROME BLACK SURROUND	4489/6SC	4490/6SC	Printed with Bell Symbol
POLISHED BRASS WHITE SURROUND	4489/6PB/WH	4490/6PB/WH	Printed with Bell Symbol
POLISHED BRASS BLACK SURROUND	4489/6PB	4490/6PB	Printed with Bell Symbol
POLISHED CHROME WHITE SURROUND	4489/6HPC/WH	4490/6HPC/WH	Printed with Bell Symbol
POLISHED CHROME BLACK SURROUND	4489/6HPC	4490/6HPC	Printed with Bell Symbol
BLACK NICKEL BLACK SURROUND	4489/6BKN	4490/6BKN	Printed with Bell Symbol
WHITE (PLASTIC ROCKER)	4489	4490	Printed with Bell Symbol

SCREWLESS LOW PROFILE DECORATIVE GRID TRIMMED



4553/6SC

10A RETRACTIVE 2 WAY & OFF GRID SWITCHES

BS EN 60669-1

1 MODULE

4553/6SC/WH
4553/6SC
4553/6PB/WH
4553/6PB
4553/6HPC/WH
4553/6HPC
4553/6BKN
4553



4450/6HPC/WH

20AX GRID SWITCHES METAL ROCKER

BS EN 60669-1

1 MODULE

4450/6SC/WH	1 Way
4450/6SC	1 Way
4450/6PB/WH	1 Way
4450/6PB	1 Way
4450/6HPC/WH	1 Way
4450/6HPC	1 Way
4450/6BKN	1 Way
4450	1 Way

• Customised printing requirements available on request



4550/6BKN

20AX GRID SWITCHES METAL ROCKER

BS EN 60669-1

1 MODULE

4550/6SC/WH	2 Way
4550/6SC	2 Way
4550/6PB/WH	2 Way
4550/6PB	2 Way
4550/6HPC/WH	2 Way
4550/6HPC	2 Way
4550/6BKN	2 Way
4550	2 Way

• Customised printing requirements available on request

SCREWLESS LOW PROFILE DECORATIVE GRID TRIMMED



4552/6PB



4535/6PB/WH

20AX GRID SWITCHES METAL ROCKER

BS EN 60669-1

1 MODULE

20AX GRID SWITCHES METAL ROCKER

BS EN 60669-1

1 MODULE

METAL PLATE FINISHES

SATIN CHROME WHITE SURROUND	4552/6SC/WH	2 Way and Off	4535/6SC/WH	Intermediate
SATIN CHROME BLACK SURROUND	4552/6SC	2 Way and Off	4535/6SC	Intermediate
POLISHED BRASS WHITE SURROUND	4552/6PB/WH	2 Way and Off	4535/6PB/WH	Intermediate
POLISHED BRASS BLACK SURROUND	4552/6PB	2 Way and Off	4535/6PB	Intermediate
POLISHED CHROME WHITE SURROUND	4552/6HPC/WH	2 Way and Off	4535/6HPC/WH	Intermediate
POLISHED CHROME BLACK SURROUND	4552/6HPC	2 Way and Off	4535/6HPC	Intermediate
BLACK NICKEL BLACK SURROUND	-		4535/6BKN	Intermediate
WHITE (PLASTIC ROCKER)	4552	2 Way and Off	4535	Intermediate

• Customised printing requirements available on request



4460/6SS

20AX GRID SWITCHES METAL ROCKER

BS EN 60669-1

1 MODULE

4460/6SC/WH	Double Pole
4460/6SC	Double Pole
4460/6PB/WH	Double Pole
4460/6PB	Double Pole
4460/6HPC/WH	Double Pole
4460/6HPC	Double Pole
4460/6BKN	Double Pole
4460	Double Pole

• Customised printing requirements available on request



4460/FF

20A DP PRINTED WHITE GRID SWITCHES

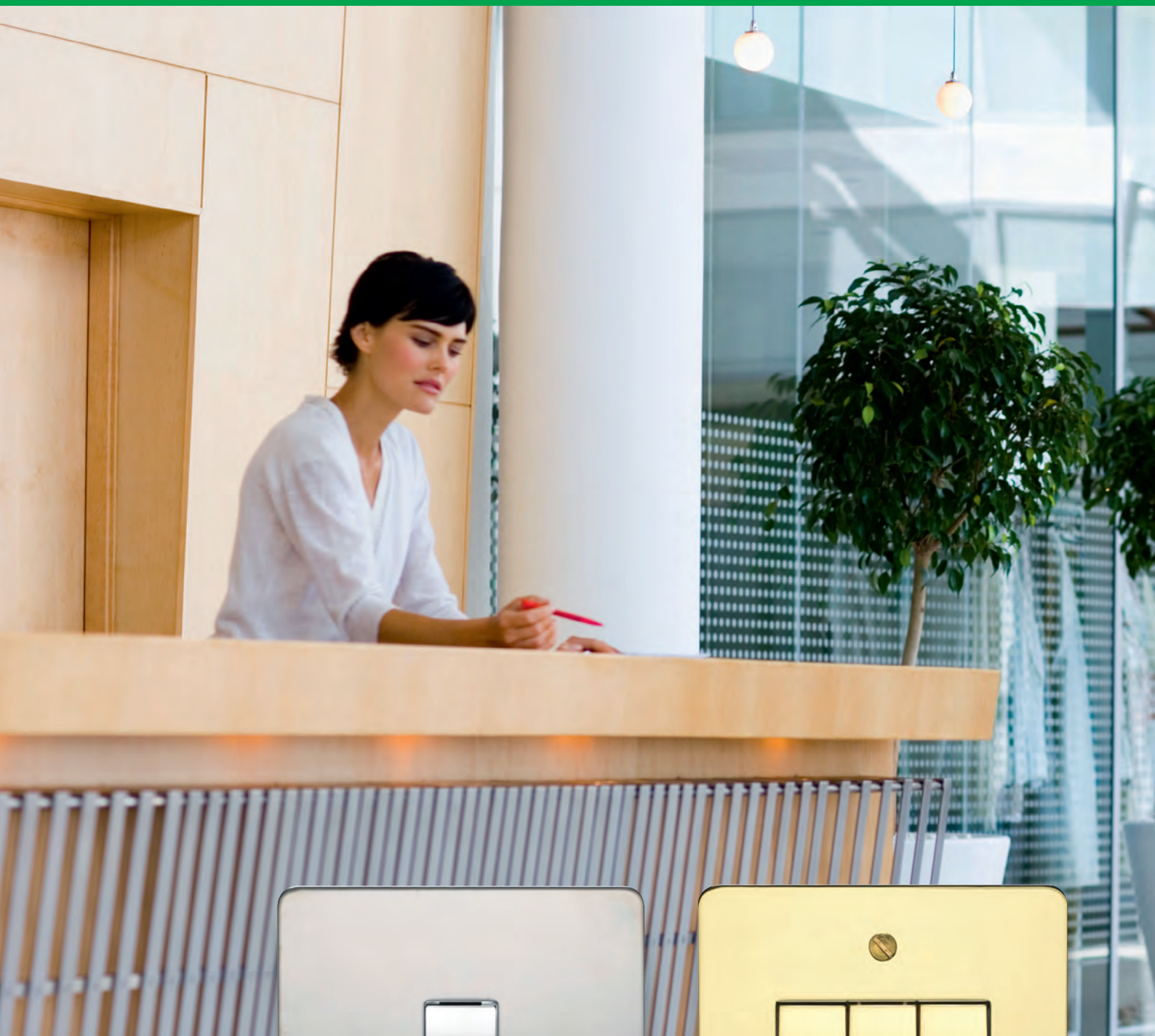
BS EN 60669-1

1 MODULE

4460/BO	Printed BOILER
4460/HD	Printed COOKER HOOD
4460/DW	Printed DISHWASHER
4460/EF	Printed EXTRACTOR FAN
4460/FR	Printed FRIDGE
4460/FZ	Printed FREEZER
4460/FF	Printed FRIDGE FREEZER
4460/FN	Printed FAN
4460/HB	Printed HOB
4460/HT	Printed HEATER
4460/WM	Printed WASHING MACHINE
4460/WA	Printed WATER HEATER
4460/TD	Printed TUMBLE DRYER

• Customised printing requirements available on request

FLAT PLATE DECORATIVE





 Crabtree

FLAT PLATE DECORATIVE SELECTION CHART

Description	STAINLESS STEEL			
	Complete Assembly	Interior	Grid	Front Plate
Plate Switches				
10AX 1G 2 Way Switch	8170/SS	1170/1SS	-	8501/SS
10AX 2G 2 Way Switch	8172/SS	1172/1SS	-	8502/SS
10AX 3G 2 Way Switch	8173/SS	1173/1SS	-	8503/SS
10A 1G Retractive Switch	-	1096/1SS	-	8501/SS
10AX 1G Intermediate Switch	-	1175/1SS	-	8501/SS
Dimmers				
1G 250W Dimmer	8250/D1SS	-	-	-
2G 250W Dimmer	8250/D2SS	-	-	-
1G 400W Dimmer	8400/D1SS	-	-	-
2G 400W Dimmer	8400/D2SS	-	-	-
Sockets				
13A 1G DP Switch Socket White Interior	8314/SS/WH	1314/1SS/WH	-	8504/SS
13A 1G DP Switch Socket Black Interior	-	1314/1SS	-	8504/SS
13A 1G DP Switch Socket with Neon White Interior	-	1314/13SS/WH	-	8504/3SS
13A 1G DP Switch Socket with Neon Black Interior	-	-	-	-
13A 2G DP Switch Socket White Interior	8316/SS/WH	1316/1SS/WH	-	8506/SS
13A 2G DP Switch Socket Black Interior	-	1316/1SS	-	8506/SS
13A 2G DP Switch Socket with Neon White Interior	-	1316/13SS/WH	-	8506/3SS
13A 2G DP Switch Socket with Neon Black Interior	-	-	-	-
13A 2G DP Switch Socket with Dual USB White Interior	8316USB/SSWH/D	-	-	-
13A 2G DP Switch Socket with Dual USB Black Interior	-	-	-	-
2A 1G Round Pin Socket White Interior	-	1075/1WH	-	8560/SS
2A 1G Round Pin Socket Black Interior	-	1075/1	-	8560/SS
5A 1G Round Pin Socket White Interior	-	1340/1WH	-	8579/SS
5A 1G Round Pin Socket Black Interior	-	1340/1	-	8579/SS
15A 1G Round Pin Switched Socket White Interior	-	1272/1SS/WH	-	8515/SS
15A 1G Round Pin Switched Socket Black Interior	-	-	-	-
Fused Connection Units				
13A Switched FCU White Interior	8832/SS/WH	1832/1SS/WH	-	8508/SS
13A Switched FCU Black Interior	-	1832/1SS	-	8508/SS
13A Switched FCU with Neon White Interior	8832/3SS/WH	1832/13SS/WH	-	8508/3SS
13A Switched FCU with Neon Black Interior	-	1832/13SS	-	8508/3SS
13A Switched FCU with Cord Outlet White Interior	-	-	-	-
13A Switched FCU with Cord Outlet Black Interior	-	1837/1SS	-	8533/SS
13A Switched FCU with Cord Outlet & Neon White Interior	-	1837/13SS/WH	-	8533/3SS
13A Switched FCU with Cord Outlet & Neon Black Interior	-	1837/13SS	-	8533/3SS
13A Unswitched FCU White Interior	-	4436	1901	8511/SS
13A Unswitched FCU Black Interior	-	4436/BK	1901	8511/SS
13A Unswitched FCU with Neon White Interior	-	4436 + 4494	1902	8512/SS
13A Unswitched FCU with Neon Black Interior	-	4436/BK + 4494/BK	1902	8512/SS
13A Unswitched FCU with Cord Outlet White Interior	-	4436 + 4435	1902	8512/SS
13A Unswitched FCU with Cord Outlet Black Interior	-	4436/BK + 4435/BK	1902	8512/SS
Control Switches				
6A TP Isolator Flat Plate	-	1017/SS	-	8505/SS
20A DP Flat Plate Switch	8011/SS	1011/1SS	-	8520/SS
20A DP Flat Plate Switch & Neon	8011/3SS	1011/13SS	-	8520/3SS
32A DP Flat Plate Switch	-	1012/1SS	-	8532/SS
32A DP Flat Plate Switch & Neon	-	1012/13SS	-	8532/3SS
45A DP Flat Plate Switch	-	1512/1SS	-	8545/SS
45A DP Flat Plate Switch & Neon	-	1512/13SS	-	8545/3SS
Cooker Control Units				
45A Cooker Control Unit with White Interior	-	1522/1SS/WH	-	8546/SS
45A Cooker Control Unit with Black Interior	-	1522/1SS	-	8546/SS
45A Cooker Control Unit & Neon with White Interior	-	1522/13SS/WH	-	8546/3SS
45A Cooker Control Unit & Neon with Black Interior	-	1522/13SS	-	8546/3SS
Bathroom				
Shaver Supply Unit Flat Plate with White Interior	-	1410/1WH	-	8510/SS
Shaver Supply Unit Flat Plate with Black Interior	-	1410/1	-	8510/SS
Accessories				
1G Communication Plate Flat Plate	-	1091/1	-	8507/SS
2G Communication Plate Flat Plate	-	1092/1	-	8509/SS
1G Blank Plate Flat Plate	-	1091/1	-	8585/SS
2G Blank Plate Flat Plate	-	1092/1	-	8577/SS
Grid				
1 Gang Front Plate & Grid Yoke	-	-	1901	8711/SS
2 Gang Front Plate & Grid Yoke	-	-	1902	8712/SS
3 Gang Front Plate & Grid Yoke	-	-	1903	8713/SS
4 Gang Front Plate & Grid Yoke	-	-	1904	8714/SS
6 Gang Front Plate & Grid Yoke	-	-	1906	8716/SS
8 Gang Front Plate & Grid Yoke	-	-	1908	8718/SS
10AX 1 Way Grid Switch	-	4430/7SS	-	-
10AX 2 Way Grid Switch	-	4530/7SS	-	-
10A Retractive Switch	-	4489/7SS	-	-
10A Retractive Switch with Bell Symbol	-	4490/7SS	-	-
10A Retractive 2 Way & Off Grid Switch	-	4553/7SS	-	-
20AX 1 Way Grid Switch	-	4450/7SS	-	-
20AX 2 Way Grid Switch	-	4550/7SS	-	-
20AX Intermediate Grid Switch	-	4535/7SS	-	-
20AX DP Grid Switch	-	4460/7SS	-	-

FLAT PLATE DECORATIVE SELECTION CHART

Complete Assembly	POLISHED BRASS			Complete Assembly	POLISHED STAINLESS STEEL		
	Interior	Grid	Front Plate		Interior	Grid	Front Plate
8170/PB	1170/1PB	-	8501/PB	8170/PSS	1170/1PSS	-	8501/PSS
8172/PB	1172/1PB	-	8502/PB	8172/PSS	1172/1PSS	-	8502/PSS
8173/PB	1173/1PB	-	8503/PB	8173/PSS	1173/1PSS	-	8503/PSS
-	1096/1PB	-	8501/PB	-	-	-	-
-	-	-	-	-	1175/1PSS	-	8501/PSS
8250/D1PB	-	-	-	8250/D1PSS	-	-	-
8250/D2PB	-	-	-	-	-	-	-
8400/D1PB	-	-	-	8400/D1PSS	-	-	-
8400/D2PB	-	-	-	8400/D2PSS	-	-	-
-	1314/1PB/WH	-	8504/PB	-	-	-	-
8314/PB	1314/1PB	-	8504/PB	8314/PSS	1314/1PSS	-	8504/PSS
-	1314/13PB/WH	-	8504/3PB	-	-	-	-
-	1314/13PB	-	8504/3PB	-	1314/13PSS	-	8504/3PSS
-	1316/1PB/WH	-	8506/PB	-	1316/1PSS/WH	-	8506/PSS
8316/PB	1316/1PB	-	8506/PB	8316/PSS	1316/1PSS	-	8506/PSS
-	1316/13PB/WH	-	8506/3PB	-	-	-	-
-	1316/13PB	-	8506/3PB	-	1316/13PSS	-	8506/3PSS
-	-	-	-	-	-	-	-
8316/USBPB/D	-	-	-	8316/USBPSS/D	-	-	-
-	1075/1WH	-	8560/PB	-	1075/1WH	-	8560/PSS
-	1075/1	-	8560/PB	-	1075/1	-	8560/PSS
-	1340/1WH	-	8579/PB	-	1340/1WH	-	8579/PSS
-	1340/1	-	8579/PB	-	1340/1	-	8579/PSS
-	1272/1PB/WH	-	8515/PB	-	-	-	-
-	1272/1PB	-	8515/PB	-	1272/1PSS	-	8515/PSS
-	1832/1PB/WH	-	8508/PB	-	1832/1PSS/WH	-	8508/PSS
8832/PB	1832/1PB	-	8508/PB	8832/PSS	1832/1PSS	-	8508/PSS
-	1832/13PB/WH	-	8508/3PB	-	1832/13PSS/WH	-	8508/3PSS
8832/3PB	1832/13PB	-	8508/3PB	8832/3PSS	1832/13PSS	-	8508/3PSS
-	-	-	-	-	1837/1PSS/WH	-	8533/PSS
-	-	-	-	-	-	-	-
-	1837/13PB/WH	-	8533/3PB	-	-	-	-
-	1837/13PB	-	8533/3PB	-	-	-	-
-	4436	1901	8511/PB	-	4436	1901	8511/PSS
-	4436/BK	1901	8511/PB	-	4436/BK	1901	8511/PSS
-	4436 + 4494	1902	8512/PB	-	4436 + 4494	1902	8512/PSS
-	4436/BK + 4494/BK	1902	8512/PB	-	4436/BK + 4494/BK	1902	8512/PSS
-	4436 + 4435	1902	8512/PB	-	4436 + 4435	1902	8512/PSS
-	4436/BK + 4435/BK	1902	8512/PB	-	4436/BK + 4435/BK	1902	8512/PSS
-	1017/1PB	-	8505/PB	-	1017/1PSS	-	8505/PSS
8011/PB	1011/1PB	-	8520/PB	8011/PSS	1011/1PSS	-	8520/PSS
8011/3PB	1011/13PB	-	8520/3PB	8011/3PSS	1011/13PSS	-	8520/3PSS
-	1012/1PB	-	8532/PB	-	1012/1PSS	-	8532/PSS
-	1012/13PB	-	8532/3PB	-	1012/13PSS	-	8532/3PSS
-	1512/1PB	-	8545/PB	-	1512/1PSS	-	8545/PSS
-	1512/13PB	-	8545/3PB	-	1512/13PSS	-	8545/3PSS
-	1522/1PB/WH	-	8546/PB	-	1522/1PSS/WH	-	8546/PSS
-	1522/1PB	-	8546/PB	-	1522/1PSS	-	8546/PSS
-	1522/13PB/WH	-	8546/3PB	-	1522/13PSS/WH	-	8546/3PSS
-	1522/13PB	-	8546/3PB	-	1522/13PSS	-	8546/3PSS
-	1410/1WH	-	8510/PB	-	1410/1WH	-	8510/PSS
-	1410/1	-	8510/PB	-	1410/1	-	8510/PSS
-	1091/1	-	8507/PB	-	1091/1	-	8507/PSS
-	1092/1	-	8509/PB	-	1092/1	-	8509/PSS
-	1091/1	-	8585/PB	-	1091/1	-	8585/PSS
-	1092/1	-	8577/PB	-	1092/1	-	8577/PSS
-	-	1901	8711/PB	-	-	1901	8711/PSS
-	-	1902	8712/PB	-	-	1902	8712/PSS
-	-	1903	8713/PB	-	-	1903	8713/PSS
-	-	1904	8714/PB	-	-	1904	8714/PSS
-	-	1906	8716/PB	-	-	1906	8716/PSS
-	-	1908	8718/PB	-	-	1908	8718/PSS
-	4430/7PB	-	-	-	4430/7PSS	-	-
-	4530/7PB	-	-	-	4530/7PSS	-	-
-	4489/7PB	-	-	-	4489/7PSS	-	-
-	4490/7PB	-	-	-	4490/7PSS	-	-
-	4553/7PB	-	-	-	4553/7PSS	-	-
-	4450/7PB	-	-	-	4450/7PSS	-	-
-	4550/7PB	-	-	-	4550/7PSS	-	-
-	4535/7PB	-	-	-	4535/7PSS	-	-
-	4460/7PB	-	-	-	4460/7PSS	-	-

FLAT PLATE DECORATIVE 10AX SWITCHES



8170/PSS



1096/1PB + 8501/PB

10AX SWITCHES

BS EN 60669-1

10A RETRACTIVE SWITCHES

BS EN 60669-1

METAL PLATE FINISHES

1 GANG

1 GANG

COMPLETE ASSEMBLY

STAINLESS STEEL	8170/SS	2 Way	-
POLISHED BRASS	8170/PB	2 Way	-
POLISHED STAINLESS STEEL	8170/PSS	2 Way	-

INTERIOR

STAINLESS STEEL	1170/1SS	Switch Interior	1096/1SS	Switch Interior
POLISHED BRASS	1170/1PB	Switch Interior	1096/1PB	Switch Interior
POLISHED STAINLESS STEEL	1170/1PSS	Switch Interior	-	

FRONT PLATE

STAINLESS STEEL	8501/SS	Switch Front Plate	8501/SS	Switch Front Plate
POLISHED BRASS	8501/PB	Switch Front Plate	8501/PB	Switch Front Plate
POLISHED STAINLESS STEEL	8501/PSS	Switch Front Plate	-	

Dimension Metal Plate

Height	86mm
Width	86mm
Depth	1.5mm

Dimension Metal Plate

Height	86mm
Width	86mm
Depth	1.5mm

FLAT PLATE DECORATIVE 10AX SWITCHES



8172/SS

10AX SWITCHES

BS EN 60669-1

2 GANG

8172/SS	2 Way
8172/PB	2 Way
8172/PSS	2 Way

1172/1SS	Switch Interior
1172/1PB	Switch Interior
1172/1PSS	Switch Interior

8502/SS	Switch Front Plate
8502/PB	Switch Front Plate
8502/PSS	Switch Front Plate

Dimension Metal Plate

Height	86mm
Width	86mm
Depth	1.5mm



8173/PB

10AX SWITCHES

BS EN 60669-1

3 GANG

8173/SS	2 Way
8173/PB	2 Way
8173/PSS	2 Way

1173/1SS	Switch Interior
1173/1PB	Switch Interior
1173/1PSS	Switch Interior

8503/SS	Switch Front Plate
8503/PB	Switch Front Plate
8503/PSS	Switch Front Plate

Dimension Metal Plate

Height	86mm
Width	86mm
Depth	1.5mm



1175/1PSS + 8501/PSS

10AX RETRACTIVE SWITCHES

BS EN 60669-1

1 GANG

-	
-	
-	

1175/1SS	
-	
1175/1PSS	

8501/SS	
-	
8501/PSS	

FLAT PLATE DECORATIVE DIMMER SWITCHES



8250/D1SS



8250/D2PB

250W DIMMER

BS EN 55014-1
BS EN 60669-2-1

1 GANG

250W DIMMER

BS EN 55014-1
BS EN 60669-2-1

2 GANG

METAL PLATE FINISHES

COMPLETE ASSEMBLY

STAINLESS STEEL **8250/D1SS** 2 Way

POLISHED BRASS **8250/D1PB** 2 Way

POLISHED STAINLESS STEEL **8250/D1PSS** 2 Way

8250/D2SS 2 Way

8250/D2PB 2 Way

-

INTERIOR

STAINLESS STEEL -

POLISHED BRASS -

POLISHED STAINLESS STEEL -

-

-

-

FRONT PLATE

STAINLESS STEEL -

POLISHED BRASS -

POLISHED STAINLESS STEEL -

-

-

-

Dimension Metal Plate

Height 86mm
Width 86mm
Depth 8.5mm

Back Box

Surface Moulded 9041
Flush Galvanised SB615
Dry Lining SB619

Dimension Metal Plate

Height 86mm
Width 86mm
Depth 8.5mm

Back Box

Surface Moulded 9041
Flush Galvanised SB615
Dry Lining SB619

For technical and dimensional data please refer to the Technical Information section

FLAT PLATE DECORATIVE DIMMER SWITCHES



8400/D1SS



8400/D2PB

400W DIMMER

BS EN 55014-1
BS EN 60669-2-1

1 GANG

400W DIMMER

BS EN 55014-1
BS EN 60669-2-1

2 GANG

8400/D1SS	2 Way
8400/D1PB	2 Way
8400/D1PSS	2 Way

-
-
-
-
-
-
-

8400/D2SS	2 Way
8400/D2PB	2 Way
8400/D2PSS	2 Way

-
-
-
-
-
-
-

Dimension Metal Plate

Height	86mm
Width	86mm
Depth	8.5mm

Back Box

Surface Moulded	9041
Flush Galvanised	SB615
Dry Lining	SB619

Dimension Metal Plate

Height	86mm
Width	86mm
Depth	8.5mm

Back Box

Surface Moulded	9041
Flush Galvanised	SB615
Dry Lining	SB619

For technical and dimensional data please refer to the Technical Information section

FLAT PLATE DECORATIVE SOCKETS



8314/PSS



8504/3SS + 1314/13SS/WH

13A DP SWITCHED SOCKETS DUAL EARTH

BS 1363-2

1 GANG

13A DP SWITCHED SOCKETS DUAL EARTH WITH NEON

BS 1363-2

1 GANG

METAL PLATE FINISHES

COMPLETE ASSEMBLY

STAINLESS STEEL WHITE INSERT	8314/SS/WH
STAINLESS STEEL BLACK INSERT	-
POLISHED BRASS WHITE INSERT	-
POLISHED BRASS BLACK INSERT	8314/PB
POLISHED STAINLESS STEEL WHITE INSERT	-
POLISHED STAINLESS STEEL BLACK INSERT	8314/PSS

INTERIOR

STAINLESS STEEL WHITE INSERT	1314/1SS/WH	Socket Interior
STAINLESS STEEL BLACK INSERT	1314/1SS	Socket Interior
POLISHED BRASS WHITE INSERT	1314/1PB/WH	Socket Interior
POLISHED BRASS BLACK INSERT	1314/1PB	Socket Interior
POLISHED STAINLESS STEEL WHITE INSERT	-	-
POLISHED STAINLESS STEEL BLACK INSERT	1314/1PSS	Socket Interior

FRONT PLATE

STAINLESS STEEL	8504/SS	Socket Front Plate
POLISHED BRASS	8504/PB	Socket Front Plate
POLISHED STAINLESS STEEL	8504/PSS	Socket Front Plate

Dimension Metal Plate

Height	86mm
Width	86mm
Depth	1.5mm

Back Box

Surface Moulded	9047
Flush Galvanised	SB655
Dry Lining	SB619

Dimension Metal Plate

Height	86mm
Width	86mm
Depth	1.5mm

Back Box

Surface Moulded	9047
Flush Galvanised	SB655
Dry Lining	SB619

For technical and dimensional data please refer to the Technical Information section

FLAT PLATE DECORATIVE SOCKETS



8316/PSS

13A DP SWITCHED SOCKETS DUAL EARTH

BS 1363-2

2 GANG



8506/3SS + 1316/13SS/WH

13A DP SWITCHED SOCKETS DUAL EARTH WITH NEON

BS 1363-2

2 GANG



8316USB/SSWH/D

13A DP SWITCHED SOCKETS WITH DUAL USB OUTLETS 2.1A

BS 1363-2

2 GANG

8316/SS/WH

-

-

8316/PB

-

8316/PSS

1316/1SS/WH Socket Interior

1316/1SS Socket Interior

1316/1PB/WH Socket Interior

1316/1PB Socket Interior

1316/1PSS/WH Socket Interior

1316/1PSS Socket Interior

8506/SS Socket Front Plate

8506/PB Socket Front Plate

8506/PSS Socket Front Plate

-

-

-

-

-

-

1316/13SS/WH Socket Interior

-

1316/13PB/WH Socket Interior

1316/13PB Socket Interior

-

1316/13PSS Socket Interior

8506/3SS Socket Front Plate

8506/3PB Socket Front Plate

8506/3PSS Socket Front Plate

8316USB/SSWH/D

-

-

8316/USBPB/D

-

8316/USBPSS/D

-

-

-

-

-

-

-

-

-

Dimension Metal Plate

Height 86mm
Width 146mm
Depth 1.5mm

Back Box

Surface Moulded 9048
Flush Galvanised SB665
Dry Lining SB629

Dimension Metal Plate

Height 86mm
Width 146mm
Depth 1.5mm

Back Box

Surface Moulded 9048
Flush Galvanised SB665
Dry Lining SB629

Dimension Metal Plate

Height 86mm
Width 146mm
Depth 1.5mm

Back Box

Surface Moulded 9054
Flush Galvanised SB625
Dry Lining SB629

For technical and dimensional data please refer to the Technical Information section

FLAT PLATE DECORATIVE SOCKETS



8560/SS + 1075/1



8579/SS + 1340/1WH

2A UNSWITCHED SOCKETS

BS 546

5A UNSWITCHED SOCKETS

BS 546

METAL PLATE FINISHES

1 GANG

1 GANG

COMPLETE ASSEMBLY

STAINLESS STEEL WHITE INSERT	-
STAINLESS STEEL BLACK INSERT	-
POLISHED BRASS WHITE INSERT	-
POLISHED BRASS BLACK INSERT	-
POLISHED STAINLESS STEEL WHITE INSERT	-
POLISHED STAINLESS STEEL BLACK INSERT	-

INTERIOR

STAINLESS STEEL WHITE INSERT	1075/1WH	Socket Interior
STAINLESS STEEL BLACK INSERT	1075/1	Socket Interior
POLISHED BRASS WHITE INSERT	1075/1WH	Socket Interior
POLISHED BRASS BLACK INSERT	1075/1	Socket Interior
POLISHED STAINLESS STEEL WHITE INSERT	1075/1WH	Socket Interior
POLISHED STAINLESS STEEL BLACK INSERT	1075/1	Socket Interior

STAINLESS STEEL WHITE INSERT	-
STAINLESS STEEL BLACK INSERT	-
POLISHED BRASS WHITE INSERT	-
POLISHED BRASS BLACK INSERT	-
POLISHED STAINLESS STEEL WHITE INSERT	-
POLISHED STAINLESS STEEL BLACK INSERT	-

STAINLESS STEEL WHITE INSERT	1340/1WH	Socket Interior
STAINLESS STEEL BLACK INSERT	1340/1	Socket Interior
POLISHED BRASS WHITE INSERT	1340/1WH	Socket Interior
POLISHED BRASS BLACK INSERT	1340/1	Socket Interior
POLISHED STAINLESS STEEL WHITE INSERT	1340/1WH	Socket Interior
POLISHED STAINLESS STEEL BLACK INSERT	1340/1	Socket Interior

FRONT PLATE

STAINLESS STEEL
POLISHED BRASS
POLISHED STAINLESS STEEL

8560/SS	Socket Front Plate
8560/PB	Socket Front Plate
8560/PSS	Socket Front Plate

8579/SS	Socket Front Plate
8579/PB	Socket Front Plate
8579/PSS	Socket Front Plate

Dimension Metal Plate

Height	86mm
Width	86mm
Depth	1.5mm

Back Box

Surface Moulded	9047
Flush Galvanised	SB655
Dry Lining	SB619

Dimension Metal Plate

Height	86mm
Width	86mm
Depth	1.5mm

Back Box

Surface Moulded	9047
Flush Galvanised	SB655
Dry Lining	SB619

For technical and dimensional data please refer to the Technical Information section

FLAT PLATE DECORATIVE SWITCHED FCU



8515/PB + 1272/1PB

15A SWITCHED SOCKETS

BS 546

1 GANG



8832/PB

13A SWITCHED FUSED CONNECTION UNIT

BS 1363-4

1 GANG



8832/3PSS

13A SWITCHED FUSED CONNECTION UNIT WITH NEON INDICATOR

BS 1363-4

1 GANG

-		8832/SS/WH		8832/3SS/WH	
-		-		-	
-		-		-	
-		8832/PB		8832/3PB	
-		-		-	
-		8832/PSS		8832/3PSS	
1272/1SS/WH	Socket Interior	1832/1SS/WH	FCU Interior	1832/13SS/WH	FCU Interior
-		1832/1SS	FCU Interior	1832/13SS	FCU Interior
1272/1PB/WH	Socket Interior	1832/1PB/WH	FCU Interior	1832/13PB/WH	FCU Interior
1272/1PB	Socket Interior	1832/1PB	FCU Interior	1832/13PB	FCU Interior
-		1832/1PSS/WH	FCU Interior	1832/13PSS/WH	FCU Interior
1272/1PSS	Socket Interior	1832/1PSS	FCU Interior	1832/13PSS	FCU Interior
8515/SS	Socket Front Plate	8508/SS	FCU Front Plate	8508/3SS	FCU Front Plate
8515/PB	Socket Front Plate	8508/PB	FCU Front Plate	8508/3PB	FCU Front Plate
8515/PSS	Socket Front Plate	8508/PSS	FCU Front Plate	8508/3PSS	FCU Front Plate

Dimension Metal Plate

Height	86mm
Width	86mm
Depth	1.5mm

Back Box

Surface Moulded	9047
Flush Galvanised	SB655
Dry Lining	SB619

Dimension Metal Plate

Height	86mm
Width	86mm
Depth	1.5mm

Back Box

Surface Moulded	9047
Flush Galvanised	SB655
Dry Lining	SB619

Dimension Metal Plate

Height	86mm
Width	86mm
Depth	1.5mm

Back Box

Surface Moulded	9047
Flush Galvanised	SB655
Dry Lining	SB619

For technical and dimensional data please refer to the Technical Information section

FLAT PLATE DECORATIVE SWITCHED FCU



8533/SS + 1837/1SS



8533/3SS + 1837/13SS

13A SWITCHED FUSED CONNECTION UNIT WITH CORD OUTLET

BS 1363-4

1 GANG

13A SWITCHED FUSED CONNECTION UNIT WITH CORD OUTLET AND NEON INDICATOR

BS 1363-2

1 GANG

METAL PLATE FINISHES

COMPLETE ASSEMBLY

- STAINLESS STEEL WHITE INSERT
- STAINLESS STEEL BLACK INSERT
- POLISHED BRASS WHITE INSERT
- POLISHED BRASS BLACK INSERT
- POLISHED STAINLESS STEEL WHITE INSERT
- POLISHED STAINLESS STEEL BLACK INSERT

INTERIOR

- STAINLESS STEEL WHITE INSERT
- STAINLESS STEEL BLACK INSERT
- POLISHED BRASS WHITE INSERT
- POLISHED BRASS BLACK INSERT
- POLISHED STAINLESS STEEL WHITE INSERT
- POLISHED STAINLESS STEEL BLACK INSERT

FRONT PLATE

- STAINLESS STEEL
- POLISHED BRASS
- POLISHED STAINLESS STEEL

- 1837/13SS/WH** FCU Interior
- 1837/13SS** FCU Interior
- 1837/13PB/WH** FCU Interior
- 1837/13PB** FCU Interior

- 8533/3SS** FCU Front Plate
- 8533/3PB** FCU Front Plate

Dimension Metal Plate

Height	86mm
Width	86mm
Depth	1.5mm

Back Box

Surface Moulded	9047
Flush Galvanised	SB655
Dry Lining	SB619

Dimension Metal Plate

Height	86mm
Width	86mm
Depth	1.5mm

Back Box

Surface Moulded	9047
Flush Galvanised	SB655
Dry Lining	SB619

For technical and dimensional data please refer to the Technical Information section

FLAT PLATE DECORATIVE CONTROL SWITCHES



8505/SS + 1017/1SS



8011/PSS

6A THREE POLE ISOLATOR SWITCHES

BS EN 60669-1, BS EN 60947-3

20A DP SWITCHES

BS EN 60669-1

METAL PLATE FINISHES

1 GANG

1 GANG

COMPLETE ASSEMBLY

STAINLESS STEEL

-

8011/SS

POLISHED BRASS

-

8011/PB

POLISHED STAINLESS STEEL

-

8011/PSS

INTERIOR

STAINLESS STEEL

1017/1SS Switch Interior

1011/1SS Switch Interior

POLISHED BRASS

1017/1PB Switch Interior

1011/1PB Switch Interior

POLISHED STAINLESS STEEL

1017/1PSS Switch Interior

1011/1PSS Switch Interior

FRONT PLATE

STAINLESS STEEL

8505/SS Switch Front Plate

8520/SS Switch Front Plate

POLISHED BRASS

8505/PB Switch Front Plate

8520/PB Switch Front Plate

POLISHED STAINLESS STEEL

8505/PSS Switch Front Plate

8520/PSS Switch Front Plate

Dimension Metal Plate

Height 86mm
Width 86mm
Depth 1.5mm

Dimension Metal Plate

Height 86mm
Width 86mm
Depth 1.5mm

Back Box

Surface Moulded 9047
Flush Galvanised SB655
Dry Lining SB619

Back Box

Surface Moulded 9047
Flush Galvanised SB655
Dry Lining SB619

For technical and dimensional data please refer to the Technical Information section

FLAT PLATE DECORATIVE CONTROL SWITCHES



8011/3SS

20A DP SWITCHES WITH NEON INDICATOR

BS EN 60669-1

1 GANG

8011/3SS

8011/3PB

8011/3PSS

1011/13SS Switch Interior

1011/13PB Switch Interior

1011/13PSS Switch Interior

8520/3SS Switch Front Plate

8520/3PB Switch Front Plate

8520/3PSS Switch Front Plate

Dimension Metal Plate

Height 86mm
Width 86mm
Depth 1.5mm

Back Box

Surface Moulded 9047
Flush Galvanised SB655
Dry Lining SB619



8532/PSS + 1012/1PSS

32A DP SWITCHES

BS EN 60669-1

1 GANG

-

-

-

1012/1SS Switch Interior

1012/1PB Switch Interior

1012/1PSS Switch Interior

8532/SS Switch Front Plate

8532/PB Switch Front Plate

8532/PSS Switch Front Plate

Dimension Metal Plate

Height 86mm
Width 86mm
Depth 1.5mm

Back Box

Surface Moulded 9047
Flush Galvanised SB655
Dry Lining SB619



8532/3SS + 1012/13SS

32A DP SWITCHES WITH NEON INDICATOR

BS EN 60669-1

1 GANG

-

-

-

1012/13SS Switch Interior

1012/13PB Switch Interior

1012/13PSS Switch Interior

8532/3SS Switch Front Plate

8532/3PB Switch Front Plate

8532/3PSS Switch Front Plate

Dimension Metal Plate

Height 86mm
Width 86mm
Depth 1.5mm

Back Box

Surface Moulded 9047
Flush Galvanised SB655
Dry Lining SB619

For technical and dimensional data please refer to the Technical Information section

FLAT PLATE DECORATIVE CONTROL SWITCHES



8545/PB + 1512/1PB



8545/3SS + 1512/13SS

45A DP SWITCHES

BS EN 60669-1

45A DP SWITCHES WITH NEON INDICATOR

BS EN 60669-1

METAL PLATE FINISHES

1 GANG

1 GANG

COMPLETE ASSEMBLY

STAINLESS STEEL	-
POLISHED BRASS	-
POLISHED STAINLESS STEEL	-

INTERIOR

STAINLESS STEEL	1512/1SS	Switch Interior	1512/13SS	Switch Interior
POLISHED BRASS	1512/1PB	Switch Interior	1512/13PB	Switch Interior
POLISHED STAINLESS STEEL	1512/1PSS	Switch Interior	1512/13PSS	Switch Interior

FRONT PLATE

STAINLESS STEEL	8545/SS	Switch Front Plate	8545/3SS	Switch Front Plate
POLISHED BRASS	8545/PB	Switch Front Plate	8545/3PB	Switch Front Plate
POLISHED STAINLESS STEEL	8545/PSS	Switch Front Plate	8545/3PSS	Switch Front Plate

Dimension Metal Plate

Height	86mm
Width	86mm
Depth	1.5mm

Back Box

Surface Moulded	9047
Flush Galvanised	SB655
Dry Lining	SB619

Dimension Metal Plate

Height	86mm
Width	86mm
Depth	1.5mm

Back Box

Surface Moulded	9047
Flush Galvanised	SB655
Dry Lining	SB619

For technical and dimensional data please refer to the Technical Information section

FLAT PLATE DECORATIVE CONTROL SWITCHES



8546/SS + 1522/1SS



8546/3PSS + 1522/13PSS

45A DP COOKER CONTROL UNIT

BS 4177

2 GANG

45A DP COOKER CONTROL UNIT WITH NEON INDICATOR

BS 4177

2 GANG

METAL PLATE FINISHES

INTERIOR				
STAINLESS STEEL WHITE INSERT	1522/1SS/WH	CCU Interior	1522/13SS/WH	CCU Interior
STAINLESS STEEL BLACK INSERT	1522/1SS	CCU Interior	1522/13SS	CCU Interior
POLISHED BRASS WHITE INSERT	1522/1PB/WH	CCU Interior	1522/13PB/WH	CCU Interior
POLISHED BRASS BLACK INSERT	1522/1PB	CCU Interior	1522/13PB	CCU Interior
POLISHED STAINLESS STEEL WHITE INSERT	1522/1PSS/WH	CCU Interior	1522/13PSS/WH	CCU Interior
POLISHED STAINLESS STEEL BLACK INSERT	1522/1PSS	CCU Interior	1522/13PSS	CCU Interior
FRONT PLATE				
STAINLESS STEEL	8546/SS	Front Plate	8546/3SS	Front Plate
POLISHED BRASS	8546/PB	Front Plate	8546/3PB	Front Plate
POLISHED STAINLESS STEEL	8546/PSS	Front Plate	8546/3PSS	Front Plate

Dimension Metal Plate

Height	86mm
Width	146mm
Depth	1.5mm

Back Box

Surface Moulded	9048
Flush Galvanised	SB665
Dry Lining	SB629

Dimension Metal Plate

Height	86mm
Width	146mm
Depth	1.5mm

Back Box

Surface Moulded	9048
Flush Galvanised	SB665
Dry Lining	SB629

For technical and dimensional data please refer to the Technical Information section

FLAT PLATE DECORATIVE CONTROL SWITCHES



8510/PSS + 1410/1



8585/PB + 1091/1

SHAVER SOCKET DUAL VOLTAGE

BS EN 61558-2-5

BLANK PLATE

BS 5733

METAL PLATE FINISHES

2 GANG

1 GANG

INTERIOR			
WHITE	1410/1WH	Shaver Socket Interior	1091/1 Mounting Frame
BLACK	1410/1	Shaver Socket Interior	-
FRONT PLATE			
STAINLESS STEEL	8510/SS	Dual Voltage Shaver Socket	8585/SS 1G Blank Plate Front Plate
POLISHED BRASS	8510/PB	Dual Voltage Shaver Socket	8585/PB 1G Blank Plate Front Plate
POLISHED STAINLESS STEEL	8510/PSS	Dual Voltage Shaver Socket	8585/PSS 1G Blank Plate Front Plate

NOTE:

For installation, a minimum of a 55mm box is required.

For flush fitting, we recommend using both a SB625 (35mm) metal box, with a SB680 (25mm) extension box.

Dimension Metal Plate

Height	86mm
Width	86mm
Depth	1.5mm

Dimension Metal Plate

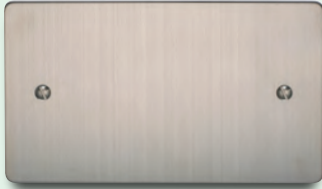
Height	86mm
Width	86mm
Depth	1.5mm

For technical and dimensional data please refer to the Technical Information section

FLAT PLATE DECORATIVE CONTROL SWITCHES



1092/1



8577/SS

BLANK PLATE

BS 5733

2 GANG

1092/1	Mounting Frame
-	
8577/SS	2G Blank Plate Front Plate
8577/PB	2G Blank Plate Front Plate
8577/PSS	2G Blank Plate Front Plate

Dimension Metal Plate

Height	86mm
Width	146mm
Depth	1.5mm

For technical and dimensional data please refer to the Technical Information section

PRODUCT MARKING

A wide range of marking can be added to 13A fused connection units, Control switches and any other wiring accessories shown in the metal plate section. The marking are consistent in style, colour and position.

To order any of the markings please see list below of popular product markings add suffix to list number

i.e. **7832/SC/WH** marked "fridge freezer" = **7832/SC/WH/FF**

MARKING	SUFFIX	MARKING	SUFFIX
AIR CONDITIONER	AC	HEATING	HG
ALARM	AL	HOB	HB
BATHROOM	BA	HEATING ISOLATOR	HS
BELL TRANSFORMER	BE	HEATER	HT
BATHROOM EXTRACTOR FAN	BEF	IMMERSION HEATER	IH
BATHROOM	BH	KITCHEN EXTRACTOR	KEF
BOILER	BO	LIGHT	LG
BOILER SUPPLY	BOS	LIFT	LI
BOOST	BST	LOFT LIGHT	LL
TO BT SPEC	BT	MICROWAVE	MW
CARAVAN	CA	NIGHT IMMERSION	NI
CCTV	CCTV	OFF PEAK	OFFP
CENTRAL HEATING	CH	OUTSIDE LIGHT	OL
CUPBOARD LIGHT	CL	ON PEAK	ONP
CONVECTOR HEATER	CNH	OVEN	OV
DAY BOOST	DB	PELMET LIGHTS	PEL
DOWNFLOW HEATER	DH	PLINTH HEATER	PLH
DOOR BELL	DO	REFRIDGERATOR	RF
DISHWASHER	DW	SECURITY ALARM	SA
DRYER	DY	SMOKE DETECTOR	SD
EMERGENCY CIRCUIT	EC	SECURITY EQUIPMENT	SE
EXTRACT FAN	EF	SHOWER	SH
EXTRACT HOOD	EH	SECURITY LIGHT	SL
FIRE ALARM	FA	SHOWER PUMP	SP
FOR CLEANERS USE ONLY	FCO	STORAGE HEATER	ST
FAN COIL UNIT	FCU	STEAM CABINET	STC
FEATURE FIRE	FE	TUMBLE DRYER	TD
FRIDGE/FREEZER	FF	TOWEL RAIL	TR
FAN HEATER	FH	TELEVISION	TV
FIRE	FI	UNDERFLOOR HEATING	UH
FAN	FN	VENT FAN	VF
FRIDGE	FR	WATER HEATER	WA
FREEZER	FZ	WATER COOLER	WC
GAS IGNITION	GI	WASTE DISPOSAL	WD
HAND DRYER	HA	WASHING MACHINE	WM
HOB	HB	WASHER	WS
COOKER HOOD	HD		

FLAT PLATE DECORATIVE COMMUNICATION



8507/SS + 1091/1



8509/PB + 1092/1

MODULE PLATES

BS 5733

MODULE PLATES

BS 5733

METAL PLATE FINISHES

1 GANG 2 MODULE

2 GANG 4 MODULE

INTERIOR			
WHITE	1091/1	Mounting Frame	1092/1 Mounting Frame
BLACK	-		-
FRONT PLATE			
STAINLESS STEEL	8507/SS		8509/SS
POLISHED BRASS	8507/PB		8509/PB
POLISHED STAINLESS STEEL	8507/PSS		8509/PSS

Dimension Metal Plate

Height	86mm
Width	86mm
Depth	1.5mm

Dimension Metal Plate

Height	86mm
Width	86mm
Depth	1.5mm

For technical and dimensional data please refer to the Technical Information section



7080



7080/BK



7060



7074/BK



7066

EURO TELEPHONE MODULES

1 MODULE

- 7080** Master - White
- 7080/BK** Master - Black
- 7071** Secondary - White
- 7071/BK** Secondary - Black
- 7086** RJ11 - White
- 7086/BK** RJ11 - Black

EURO DATA MODULES

1 MODULE

- 7172** RJ45 Category 5e - White
- 7172/BK** RJ45 Category 5e - Black
- 7177** RJ45 Category 6 - White
- 7173** Twin RJ45 Category 5e - White

Dimension

Height	50mm
Width	25mm

TV/FM AND SATELLITE MODULES

1 MODULE

- 7065** Male Co-Axial Direct Connection - White
- 7065/BK** Male Co-Axial Direct Connection - Black
- 7060** Male Co-Axial Outlet Screened - White
- 7060/BK** Male Co-Axial Outlet Screened - Black
- 7067** Female Co-Axial Direct Connection - White
- 7067/BK** Female Co-Axial Direct Connection - Black
- 7069** F-Type Satellite - White
- 7069/BK** F-Type Satellite - Black
- 7074** BNC With 75 Ohm Crimp Connector - White
- 7074/BK** BNC With 75 Ohm Crimp Connector - Black
- 7087** Phono (Female) - White
- 7087/BK** Phono (Female) - Black

Dimension 1 Module

Height	50mm
Width	25mm

TV/FM AND SATELLITE MODULE

2 MODULE

- 7066** TV/FM DAB/SAT/SAT2 Quadplexer - White
- 7066/BK** TV/FM DAB/SAT/SAT2 Quadplexer - Black

3 MODULE

- 7064** TV/FM DAB/SAT/SAT2 Quadplexer with Co-Axial Return - White
- 7064/BK** TV/FM DAB/SAT/SAT2 Quadplexer with Co-Axial Return - Black

Dimension 2 Module 3 Module

Height	50mm	50mm
Width	50mm	75mm

For technical and dimensional data please refer to the Technical Information section

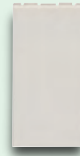
COMMUNICATIONS MODULE



7072/WH



7072/BK



7081



7082BK

USB MODULES

BS EN 60950-1, BS EN 61000-6-1/3

1 - 2 MODULE

- 7072/WH** 1 Module USB 2A 5v - White
- 7072/BK** 1 Module USB 2A 5v - Black
- 7073** 2 Module USB 2x1A 5v - White
- 7073/BK** 2 Module USB 2x1A 5v - Black

SOCKET MODULES

BS 1363, BS 546

2 MODULE

- CR1933** 2A Round Pin Unswitched Socket

BLANK MODULES

BS 5733

1/2 - 2 MODULES

- 7081/2** 1/2 - White
- 7081/2/BK** 1/2 - Black
- 7081** 1 - White
- 7081/BK** 1 - Black
- 7082** 2 - White
- 7082/BK** 2 - Black

Dimension	1 Module	2 Module
Height	50mm	50mm
Width	25mm	50mm

Dimension	1/2 Module
Height	50mm
Width	12.5mm

Dimension	1 Module	2 Module
Height	50mm	50mm
Width	25mm	50mm

For technical and dimensional data please refer to the Technical Information section

FLAT PLATE DECORATIVE GRID TRIMLESS



8711/SS



8712/PB

PLATINUM FLUSH METAL GRID PLATES

PLATINUM FLUSH METAL GRID PLATES

METAL PLATE FINISHES

1 GANG

2 GANG

STAINLESS STEEL

8711/SS

8712/SS

POLISHED BRASS

8711/PB

8712/PB

POLISHED STAINLESS STEEL

8711/PSS

8712/PSS

Dimension Metal Plate

Height 86mm
Width 86mm
Depth 1.5mm

Dimension Metal Plate

Height 86mm
Width 86mm
Depth 1.5mm

Back Box

Surface Moulded 9047
Flush Galvanised SB655
Dry Lining SB619

Back Box

Surface Moulded 9047
Flush Galvanised SB655
Dry Lining SB619

For technical and dimensional data please refer to the Technical Information section

FLAT PLATE DECORATIVE GRID TRIMLESS



8713/PSS

PLATINUM FLUSH METAL GRID PLATES

3 GANG

8713/SS

8713/PB

8713/PSS



8714/PB

PLATINUM FLUSH METAL GRID PLATES

4 GANG

8714/SS

8714/PB

8714/PSS



8716/SS

PLATINUM FLUSH METAL GRID PLATES

6 GANG

8716/SS

8716/PB

8716/PSS

Dimension Metal Plate

Height	86mm
Width	146mm
Depth	1.5mm

Back Box

Surface Moulded	9040
Flush Galvanised	SB665
Dry Lining	SB629

Dimension Metal Plate

Height	86mm
Width	146mm
Depth	1.5mm

Back Box

Surface Moulded	9040
Flush Galvanised	SB665
Dry Lining	SB629

Dimension

Height	146mm
Width	146mm
Depth	1.5mm

Back Box

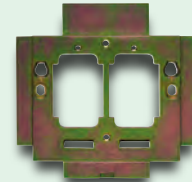
Flush	9206/BG
Surface with Knockouts	9206/BG
Surface Plain	9206/PBG

For technical and dimensional data please refer to the Technical Information section

FLAT PLATE DECORATIVE GRID TRIMLESS



8718/SS



1902

PLATINUM FLUSH METAL GRID PLATES

GRID YOKES

BS 5733

METAL PLATE FINISHES

STAINLESS STEEL	8718/SS
POLISHED BRASS	8718/PB
POLISHED STAINLESS STEEL	8718/PSS

8 GANG

1 - 8 GANG

1901	1 Gang
1902	2 Gang
1903	3 Gang
1904	4 Gang
1906	6 Gang
1908	8 Gang

Dimension

Height	146mm
Width	146mm
Depth	1.5mm

Back Box

Flush	9206/BG
Surface with Knockouts	9206/BG
Surface Plain	9206/PBG

For technical and dimensional data please refer to the Technical Information section

FLAT PLATE DECORATIVE GRID TRIMLESS



4430/7SS

**10AX GRID SWITCHES
METAL ROCKER**

BS EN 60669-1

1 MODULE

4430/7SS 1 Way

4430/7PB 1 Way

4430/7PSS 1 Way

• Customised printing requirements available on request



4530/7PB

**10AX GRID SWITCHES
METAL ROCKER**

BS EN 60669-1

1 MODULE

4530/7SS 2 Way

4530/7PB 2 Way

4530/7PSS 2 Way

• Customised printing requirements available on request



4489/7HPC

**10A RETRACTIVE GRID SWITCHES
METAL ROCKER**

BS EN 60669-1

1 MODULE

4489/7SS

4489/7PB

4489/7PSS

• Customised printing requirements available on request

FLAT PLATE DECORATIVE GRID TRIMLESS



4490/7SS



4553/7PB

10A RETRACTIVE GRID SWITCHES

BS EN 60669-1

1 MODULE

10A RETRACTIVE 2 WAY & OFF GRID SWITCHES

BS EN 60669-1

1 MODULE

METAL PLATE FINISHES

STAINLESS STEEL	4490/7SS	Printed with Bell Symbol	4553/7SS
POLISHED BRASS	4490/7PB	Printed with Bell Symbol	4553/7PB
POLISHED STAINLESS STEEL	4490/7PSS	Printed with Bell Symbol	4553/7PSS

FLAT PLATE DECORATIVE GRID TRIMLESS



4450/7SS

20X GRID SWITCHES METAL ROCKER

BS EN 60669-1

1 MODULE

4450/7SS 1 Way

4450/7PB 1 Way

4450/7PSS 1 Way

• Customised printing requirements available on request



4550/7PB

20X GRID SWITCHES METAL ROCKER

BS EN 60669-1

1 MODULE

4550/7SS 2 Way

4550/7PB 2 Way

4550/7PSS 2 Way

• Customised printing requirements available on request



4552/7PSS

20X GRID SWITCHES METAL ROCKER

BS EN 60669-1

1 MODULE

4552/7SS 2 Way and Off

4552/7PB 2 Way and Off

4552/7PSS 2 Way and Off

• Customised printing requirements available on request

FLAT PLATE DECORATIVE GRID TRIMLESS



4535/7SS



4460/7PB

**20AX GRID SWITCHES
METAL ROCKER**

BS EN 60669-1

1 MODULE

**20AX GRID SWITCHES
METAL ROCKER**

BS EN 60669-1

1 MODULE

METAL PLATE FINISHES

STAINLESS STEEL	4535/7SS	Intermediate	4460/7SS	Double Pole
POLISHED BRASS	4535/7PB	Intermediate	4460/7PB	Double Pole
POLISHED STAINLESS STEEL	4535/7PSS	Intermediate	4460/7PSS	Double Pole

• Customised printing requirements available on request

• Customised printing requirements available on request

FLAT PLATE DECORATIVE GRID TRIMLESS



6940

20AX 1 & 2 WAY SECRET KEY GRID SWITCHES

BS EN 60669-1

KEY SWITCHES 1 WAY

- 4451/7** Black
- 4451/7/WH** White
- 4451/7/ELT** Black printed Emergency Light Test
- 4451/7/WH/ELT** White printed Emergency Light Test

KEY SWITCHES 2 WAY

- 4551/7** Black
- 4551/7/WH** White
- 4551/7/ELT** Black printed Emergency Light Test
- 4551/7/WH/ELT** White printed Emergency Light Test

GRID SPARE KEY

- 6940** Spare Grid Switch Key



4461/7/WH/ELT

20AX DP SECRET KEY GRID SWITCHES

BS EN 60669-1

KEY SWITCHES DP

- 4461/7** Black
- 4461/7/WH** White
- 4461/ELT** Black printed Emergency Light Test
- 4461/7/WH/ELT** White printed Emergency Light Test

FLAT PLATE DECORATIVE GRID TRIMMED



8511/SS



8512/SS

**ROCKERGRID FOR PLATINUM
FLUSH METAL GRID PLATES**

**ROCKERGRID FOR PLATINUM
FLUSH METAL GRID PLATES**

METAL PLATE FINISHES

1 GANG

2 GANG

STAINLESS STEEL

8511/SS

8512/SS

POLISHED BRASS

8511/PB

8512/PB

POLISHED STAINLESS STEEL

8511/PSS

8512/PSS

Dimension

Height 86mm
Width 86mm
Depth 1.5mm

Dimension

Height 86mm
Width 86mm
Depth 1.5mm

Back Box

Surface Moulded 9047
Flush Galvanised SB655
Dry Lining SB619

Back Box

Surface Moulded 9047
Flush Galvanised SB655
Dry Lining SB619

For technical and dimensional data please refer to the Technical Information section

FLAT PLATE DECORATIVE GRID TRIMMED



8513/SS

**ROCKERGRID FOR PLATINUM
FLUSH METAL GRID PLATES**

3 GANG

8513/SS

8513/PB

8513/PSS

Dimension

Height 86mm
Width 146mm
Depth 1.5mm

Back Box

Surface Moulded 9040
Flush Galvanised SB665
Dry Lining SB629



8514/PB

**ROCKERGRID FOR PLATINUM
FLUSH METAL GRID PLATES**

4 GANG

8514/SS

8514/PB

8514/PSS

Dimension

Height 86mm
Width 146mm
Depth 1.5mm

Back Box

Surface Moulded 9040
Flush Galvanised SB665
Dry Lining SB629



8516/PSS

**ROCKERGRID FOR PLATINUM
FLUSH METAL GRID PLATES**

6 GANG

8516/SS

8516/PB

8516/PSS

Dimension

Height 146mm
Width 146mm
Depth 1.5mm

Back Box

Flush 9206/BG
Surface with Knockouts 9206/BG
Surface Plain 9206/PBG

For technical and dimensional data please refer to the Technical Information section

FLAT PLATE DECORATIVE GRID TRIMMED



8518/SS

ROCKERGRID FOR PLATINUM FLUSH METAL GRID PLATES

8 GANG

8518/SS

8518/PB

8518/PSS

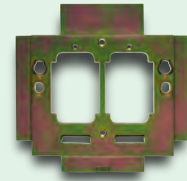
Dimension

Height	146mm
Width	146mm
Depth	1.5mm

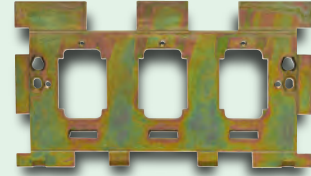
Back Box

Flush	9206/BG
Surface with Knockouts	9206/BG
Surface Plain	9206/PBG

For technical and dimensional data please refer to the Technical Information section



1902



1903

GRID YOKES

BS 5733

1 - 8 GANG

1901 1 Gang

1902 2 Gang

1903 3 Gang

1904 4 Gang

1906 6 Gang

1908 8 Gang

METAL PLATE FINISHES

STAINLESS STEEL

POLISHED BRASS

POLISHED STAINLESS STEEL

FLAT PLATE DECORATIVE GRID TRIMMED



4430/6HPC/WH



4530/6SS/WH

**10AX GRID SWITCHES
METAL ROCKER**

BS EN 60669-1

**10AX GRID SWITCHES
METAL ROCKER**

BS EN 60669-1

METAL PLATE FINISHES

1 MODULE

1 MODULE

STAINLESS STEEL WHITE SURROUND	4430/6SS/WH	1 Way	4530/6SS/WH	2 Way
STAINLESS STEEL BLACK SURROUND	4430/6SS	1 Way	4530/6SS	2 Way
POLISHED BRASS WHITE SURROUND	4430/6PB/WH	1 Way	4530/6PB/WH	2 Way
POLISHED BRASS BLACK SURROUND	4430/6PB	1 Way	4530/6PB	2 Way
POLISHED STAINLESS STEEL WHITE SURROUND	4430/6PSS/WH	1 Way	4530/6PSS/WH	2 Way
POLISHED STAINLESS STEEL BLACK SURROUND	4430/6PSS	1 Way	4530/6PSS	2 Way
BLACK NICKEL	-		4530/6BKN	2 Way
BRONZE WHITE SURROUND	4430/6BZ/WH	1 Way	4530/6BZ/WH	2 Way
BRONZE BLACK SURROUND	4430/6BZ	1 Way	4530/6BZ	2 Way
SATIN CHROME WHITE SURROUND	4430/6SC/WH	1 Way	4530/6SC/WH	2 Way
SATIN CHROME BLACK SURROUND	4430/6SC	1 Way	4530/6SC	2 Way
HIGHLY POLISHED CHROME WHITE SURROUND	4430/6HPC/WH	1 Way	4530/6HPC/WH	2 Way
HIGHLY POLISHED CHROME BLACK SURROUND	4430/6HPC	1 Way	4530/6HPC	2 Way

• Customised printing requirements available on request

• Customised printing requirements available on request

FLAT PLATE DECORATIVE GRID TRIMMED



4489/6PB



4490/6PB/WH

10A RETRACTIVE GRID SWITCHES

BS EN 60669-1

10A RETRACTIVE GRID SWITCHES

BS EN 60669-1

METAL PLATE FINISHES

1 MODULE

1 MODULE

STAINLESS STEEL WHITE SURROUND	4489/6SS/WH	2 Way	4490/6SS/WH	Printed with Bell Symbol
STAINLESS STEEL BLACK SURROUND	4489/6SS	2 Way	4490/6SS	Printed with Bell Symbol
POLISHED BRASS WHITE SURROUND	4489/6PB/WH	2 Way	4490/6PB/WH	Printed with Bell Symbol
POLISHED BRASS BLACK SURROUND	4489/6PB	2 Way	4490/6PB	Printed with Bell Symbol
POLISHED STAINLESS STEEL WHITE SURROUND	4489/6PSS/WH	2 Way	4490/6PSS/WH	Printed with Bell Symbol
POLISHED STAINLESS STEEL BLACK SURROUND	4489/6PSS	2 Way	4490/6PSS	Printed with Bell Symbol
BLACK NICKEL	4489/6BKN	2 Way	4490/6BKN	Printed with Bell Symbol
BRONZE WHITE SURROUND	4489/6BZ/WH	2 Way	4490/6BZ/WH	Printed with Bell Symbol
BRONZE BLACK SURROUND	4489/6BZ	2 Way	4490/6BZ	Printed with Bell Symbol
SATIN CHROME WHITE SURROUND	4489/6SC/WH	2 Way	4490/6SC/WH	Printed with Bell Symbol
SATIN CHROME BLACK SURROUND	4489/6SC	2 Way	4490/6SC	Printed with Bell Symbol
HIGHLY POLISHED CHROME WHITE SURROUND	4489/6HPC/WH	2 Way	4490/6HPC/WH	Printed with Bell Symbol
HIGHLY POLISHED CHROME BLACK SURROUND	4489/6HPC	2 Way	4490/6HPC	Printed with Bell Symbol

FLAT PLATE DECORATIVE GRID TRIMMED



4553/6HPC/WH

10A RETRACTIVE 2 WAY & OFF GRID SWITCHES

BS EN 60669-1

1 MODULE

-
-
4553/6PB/WH
4553/6PB
-
-
4553/6BKN
-
-
4553/6SC/WH
4553/6SC
4553/6HPC/WH
4553/6HPC



4450/6SS

20X GRID SWITCHES METAL ROCKER

BS EN 60669-1

1 MODULE

4450/6SS/WH	1 Way
4450/6SS	1 Way
4450/6PB/WH	1 Way
4450/6PB	1 Way
4450/6PSS/WH	1 Way
4450/6PSS	1 Way
4450/6BKN	1 Way
4450/6BZ/WH	1 Way
4450/6BZ	1 Way
4450/6SC/WH	1 Way
4450/6SC	1 Way
4450/6HPC/WH	1 Way
4450/6HPC	1 Way

• Customised printing requirements available on request



4550/6PB

20X GRID SWITCHES METAL ROCKER

BS EN 60669-1

1 MODULE

4550/6SS/WH	2 Way
4550/6SS	2 Way
4550/6PB/WH	2 Way
4550/6PB	2 Way
4550/6PSS/WH	2 Way
4550/6PSS	2 Way
4550/6BKN	2 Way
4550/6BZ/WH	2 Way
4550/6BZ	2 Way
4550/6SC/WH	2 Way
4550/6SC	2 Way
4550/6HPC/WH	2 Way
4550/6HPC	2 Way

• Customised printing requirements available on request

FLAT PLATE DECORATIVE GRID TRIMMED



4552/6PB



4535/6PSS

20AX GRID SWITCHES METAL ROCKER

BS EN 60669-1

1 MODULE

20AX GRID SWITCHES METAL ROCKER

BS EN 60669-1

1 MODULE

METAL PLATE FINISHES

STAINLESS STEEL WHITE SURROUND	-		4535/6SS/WH	Intermediate
STAINLESS STEEL BLACK SURROUND	-		4535/6SS	Intermediate
POLISHED BRASS WHITE SURROUND	4552/6PB/WH	2 Way and Off	4535/6PB/WH	Intermediate
POLISHED BRASS BLACK SURROUND	4552/6PB	2 Way and Off	4535/6PB	Intermediate
POLISHED STAINLESS STEEL WHITE SURROUND	-		4535/6PSS/WH	Intermediate
POLISHED STAINLESS STEEL BLACK SURROUND	-		4535/6PSS	Intermediate
BLACK NICKEL	-		4535/6BKN	Intermediate
BRONZE WHITE SURROUND	-		4535/6BZ/WH	Intermediate
BRONZE BLACK SURROUND	-		4535/6BZ	Intermediate
SATIN CHROME WHITE SURROUND	4552/6SC/WH	2 Way and Off	4535/6SC/WH	Intermediate
SATIN CHROME BLACK SURROUND	4552/6SC	2 Way and Off	4535/6SC	Intermediate
HIGHLY POLISHED CHROME WHITE SURROUND	4552/6HPC/WH	2 Way and Off	4535/6HPC/WH	Intermediate
HIGHLY POLISHED CHROME BLACK SURROUND	4552/6HPC	2 Way and Off	4535/6HPC	Intermediate

• Customised printing requirements available on request

FLAT PLATE DECORATIVE GRID TRIMMED



4460/6SS

20AX GRID SWITCHES METAL ROCKER

BS EN 60669-1

1 MODULE

4460/6SS/WH	Double Pole
4460/6SS	Double Pole
4460/6PB/WH	Double Pole
4460/6PB	Double Pole
4460/6PSS/WH	Double Pole
4460/6PSS	Double Pole
4460/6BKN	Double Pole
4460/6BZ/WH	Double Pole
4460/6BZ	Double Pole
4460/6SC/WH	Double Pole
4460/6SC	Double Pole
4460/6HPC/WH	Double Pole
4460/6HPC	Double Pole

• Customised printing requirements available on request



4460/FF

20A DP PRINTED WHITE GRID SWITCHES

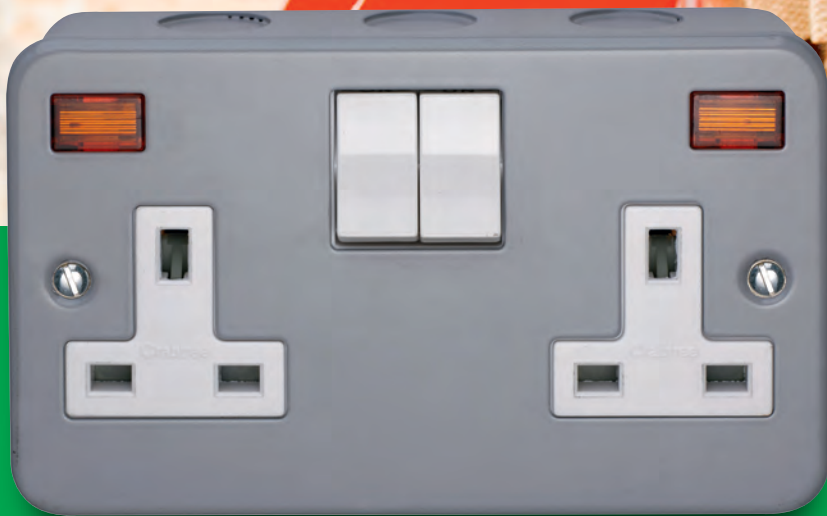
BS EN 60669-1

1 MODULE

4460/BO	Printed BOILER
4460/HD	Printed COOKER HOOD
4460/DW	Printed DISHWASHER
4460/EF	Printed EXTRACTOR FAN
4460/FR	Printed FRIDGE
4460/FZ	Printed FREEZER
4460/FF	Printed FRIDGE FREEZER
4460/FN	Printed FAN
4460/HB	Printed HOB
4460/HT	Printed HEATER
4460/WM	Printed WASHING MACHINE
4460/WA	Printed WATER HEATER
4460/TD	Printed TUMBLE DRYER

• Customised printing requirements available on request







4581/BG



4583/BG



CR1304/RCD/BG



4214/3DBG



4214/BG/RD

10AX SWITCHES

BS EN 60669-1

1 - 3 GANG WITH KNOCKOUTS

- 4581/BG 1 Gang 2 Way
- 4582/BG 2 Gang 2 Way
- 4583/BG 3 Gang 2 Way

Dimension

Height	86.7mm
Width	86.7mm
Depth	44mm

13A SWITCHED SOCKETS

BS 1363-2

1 GANG WITH KNOCKOUTS

- 4214/BG Single Pole
- 4214/3BG Single Pole with Neon
- 4214/DBG Double Pole
- 4214/3DBG Double Pole with Neon
- CR1304/RCD/BG RCD Passive Socket
30mA Protected

1 GANG PLAIN SIDES

- 4214/PBG Single Pole
- 4214/3PBG Single Pole with Neon

Dimension

Height	86.7mm
Width	86.7mm
Depth	44mm

For technical and dimensional data please refer to the Technical Information section

13A SWITCHED SOCKETS

BS 1363-2

1 GANG WITH KNOCKOUTS

- 4214/BG/RD Single Pole with Red Rocker

1 GANG PLAIN SIDES

- 4214/3BGRD Single Pole with Neon
and Red Rocker

Dimension

Height	86.7mm
Width	86.7mm
Depth	44mm



4216/DBG



CR1306/RCD/BG



4216/USB/DBG



4216/BG/RD

13A SWITCHED SOCKETS

BS 1363-2

2 GANG WITH KNOCKOUTS

- 4216/BG** Single Pole
- 4216/3BG** Single Pole with Neon
- 4216/DBG** Double Pole
- 4216/3DBG** Double Pole with Neon
- CR1306/RCD/BG** RCD Passive Socket
30mA Protected

2 GANG PLAIN SIDES

- 4216/PBG** Single Pole
- 4216/3PBG** Single Pole with Neon
- 4216/DPBG** Double Pole

Dimension

Height	86.9mm
Width	143.9mm
Depth	44mm

13A SWITCHED SOCKETS WITH DUAL USB OULETS 2.1A

BS 1363-2

2 GANG WITH KNOCKOUTS

- 4216/USB/DBG** Double Pole

Dimension

Height	86.9mm
Width	143.9mm
Depth	44mm

13A SWITCHED SOCKETS

BS 1363-2

2 GANG WITH KNOCKOUTS

- 4216/BG/RD** Single Pole with Red Rocker
- 4216/3BGRD** Single Pole with Neon
and Red Rocker

Dimension

Height	86.9mm
Width	143.9mm
Depth	44mm

For technical and dimensional data please refer to the Technical Information section



9685/BG



9687/BG

13A UNSWITCHED SOCKETS

BS 1363-2

1 GANG WITH KNOCKOUTS

9685/BG

1 GANG PLAIN SIDES

9685/PBG

2 GANG WITH KNOCKOUTS

9687/BG

Dimension 1 Gang

Height 86.7mm
Width 86.7mm
Depth 44mm

Dimension 2 Gang

Height 86.9 mm
Width 143.9 mm
Depth 44 mm



2240/BG

5A SWITCHED SOCKETS

BS 546

1 GANG WITH KNOCKOUTS

2240/BG

Dimension

Height 86.7mm
Width 86.7mm
Depth 44mm



2272/BG

15A SWITCHED SOCKETS

BS 546

1 GANG WITH KNOCKOUTS

2272/BG

Dimension

Height 86.7mm
Width 86.7mm
Depth 44mm



8265/BG

CO-AXIAL SOCKETS

1 GANG WITH KNOCKOUTS

- 8265/BG** Direct Connection
- 8267/BG** Isolated

Dimension

Height	86.7mm
Width	86.7mm
Depth	44mm



4847/3BG

13A SWITCHED FUSED CONNECTION UNIT

BS 1363-4

1 GANG WITH KNOCKOUTS

- 4842/BG** DP
- 4842/3BG** DP with Neon
- 4847/BG** DP with Flex Outlet
- 4847/BG/RD** DP with Flex Outlet and Red Rocker
- 4847/3BG** DP with Flex Outlet and Neon

1 GANG PLAIN SIDES

- 4842/PBG** DP
- 4842/3PBG** DP with Neon
- 4847/PBG** DP with Flex Outlet
- 4847/3PBG** DP with Flex Outlet and Neon

Dimension

Height	86.7mm
Width	86.7mm
Depth	44mm



CR1828/RCD/BG



4846/BG

13A UNSWITCHED FUSED CONNECTION UNIT

BS 1363-4

(SRCD FCU) BS 7288:1990, BS 5733:2010

1 GANG WITH KNOCKOUTS

- 4841/BG**
- 4841/3BG** with Neon
- 4846/BG** with Flex Outlet
- 4846/3BG** with Flex Outlet and Neon
- CR1828/RCD/BG** RCD passive 30mA protected

1 GANG WITH KNOCKOUTS

- 4841/PBG**
- 4841/3PBG** with Neon
- 4846/PBG** with Flex Outlet

Dimension

Height	86.7mm
Width	86.7mm
Depth	44mm

For technical and dimensional data please refer to the Technical Information section



4587/BG

6A THREE POLE FAN ISOLATOR SWITCH

BS EN 60669-1, BS EN 60947-3

1 GANG WITH KNOCKOUTS

4587/BG



4020/3BG



4021/3BG

20A DP SWITCHES WITH NEON

BS EN 60669-1

1 GANG WITH KNOCKOUTS

4020/3BG with Neon

4021/3BG with Neon and Flex outlet

1 GANG PLAIN SIDES

4020/3PBG with Neon

4021/3PBG with Neon and Flex outlet



4512/BG



4512/3BG

50A DP SWITCH

BS EN 60669-1

2 GANG WITH KNOCKOUTS

4512/BG 50A 2 Gang DP Switch

4512/3BG 50A 2 Gang DP Switch with Neon

Dimension

Height	86.7mm
Width	86.7mm
Depth	44mm

Dimension

Height	86.7mm
Width	86.7mm
Depth	44mm

Dimension

Height	143.9mm
Width	86.7mm
Depth	44mm

For technical and dimensional data please refer to the Technical Information section

METALCLAD GRID COVER PLATES & YOKES



6581/BG



6582/BG



6583/BG



6584/BG



6588/BG

GREY METALCLAD GRID COVER PLATES

BS 5733

1-2 GANG

- 6581/BG** 1 Gang Grid Cover Plate
- 6582/BG** 2 Gang Grid Cover Plate

GREY METALCLAD GRID COVER PLATES

BS 5733

3-4 GANG

- 6583/BG** 3 Gang Grid Cover Plate
- 6584/BG** 4 Gang Grid Cover Plate

GREY METALCLAD GRID COVER PLATES

BS 5733

6-8 GANG

- 6586/BG** 6 Gang Grid Cover Plate
- 6588/BG** 8 Gang Grid Cover Plate

Dimension 1 & 2 Gang

Height	77mm
Width	77mm
Depth	6.4mm

Back Box 1 & 2 Gang

Flush Box	9201/BG
Surface Box Plain	9201/PBG
Surface Box + Knockouts	9201/BG

Dimension 3 & 4 Gang

Height	137mm
Width	77mm
Depth	6.4mm

Back Box 3 & 4 Gang

Flush Box	9203/BG
Surface Box Plain	9203/PBG
Surface Box + Knockouts	9203/BG

Dimension 6 & 8 Gang

Height	137mm
Width	137mm
Depth	6.4mm

Back Box 6 & 8 Gang

Flush Box	9206/BG
Surface Box Plain	9206/BG
Surface Box + Knockouts	9206/PBG

For technical and dimensional data please refer to the Technical Information section

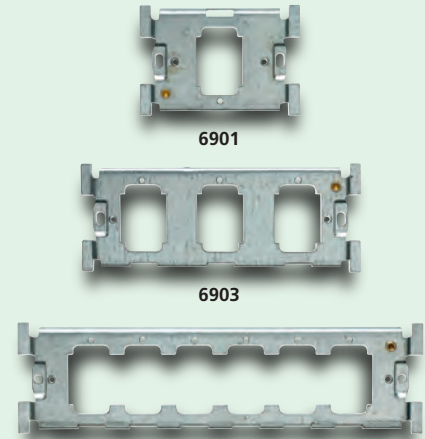
METALCLAD GRID COVER PLATES & YOKES



6580/BG



6580/24BG



6901

6903

6906

GREY METALCLAD GRID COVER PLATES

BS 5733

9-12 GANG

- 6589/BG** 9 Gang Grid Cover Plate
- 6580/BG** 12 Gang Grid Cover Plate

GREY METALCLAD GRID COVER PLATES

BS 5733

18-24 GANG

- 6580/18BG** 18 Gang Grid Cover Plate
- 6580/24BG** 24 Gang Grid Cover Plate

GRID YOKE FRAMES

BS 5733

1 - 6 GANG

- 6901** 1 Gang Grid Yoke Frame
- 6902** 2 Gang Grid Yoke Frame
- 6903** 3 Gang Grid Yoke Frame
- 6904** 4 Gang Grid Yoke Frame
- 6906** 6 Gang Grid Yoke Frame

Dimension 9 & 12 Gang

Height	137mm
Width	197mm
Depth	6.4mm

Back Box 9 & 12 Gang

Flush Box	9209/BG
Surface Box Plain	9209/BG
Surface Box + Knockouts	9209/PBG

Dimension 18 & 24 Gang

Height	257mm
Width	197mm
Depth	6.4mm

Back Box 18 Gang

Flush Box	9209/18BG
Surface Box Plain	9209/18BG
Surface Box + Knockouts	9209/18PBG

Back Box 24 Gang

Flush Box	9209/24BG
Surface Box Plain	9209/24BG
Surface Box + Knockouts	9209/24PBG

For technical and dimensional data please refer to the Technical Information section

METALCLAD GRID SWITCHES



4430



4430/RD



4490



4489

10AX GRID SWITCHES

BS EN 60669-1

1 MODULE

4430 1 Way

4530 2 Way

- Customised printing requirements available on request

10AX GRID SWITCHES WITH RED ROCKER

BS EN 60669-1

1 MODULE

4430/RD 1 Way

4530/RD 2 Way

- Customised printing requirements available on request

10A GRID SWITCHES

BS EN 60669-1

1 MODULE

4489 2 Way Retractive

4489/P 2 Way Retractive printed PRESS

4490 2 Way Retractive with Bell Symbol

4553 2 Way and off Retractive

10AX RED GRID SWITCHES

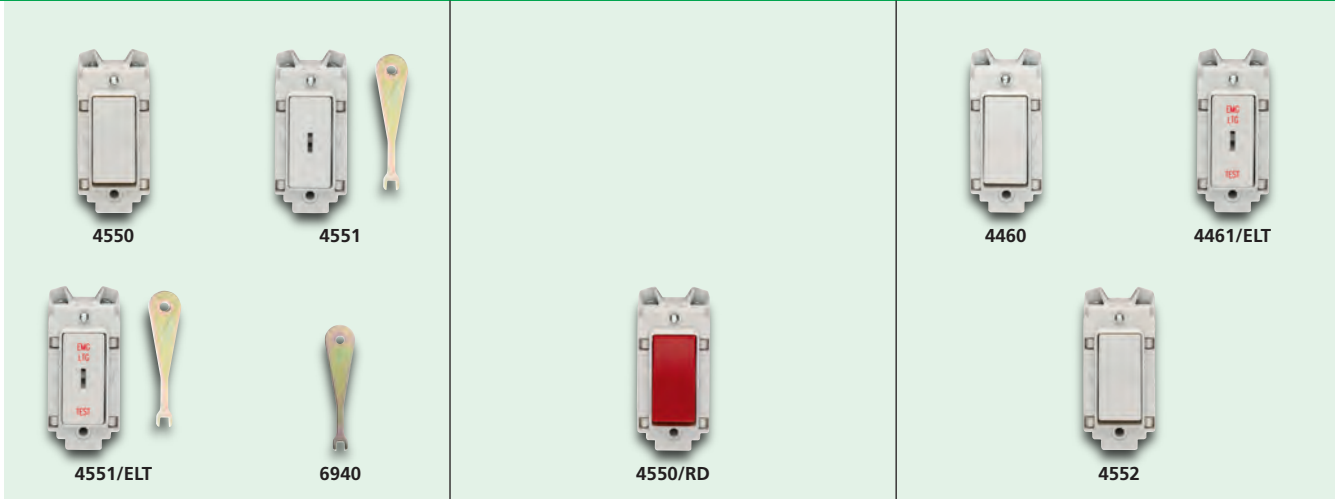
BS EN 60669-1

1 MODULE

4490/RD 2 Way Retractive with Bell Symbol

- Customised printing requirements available on request

METALCLAD GRID SWITCHES



20AX GRID SWITCHES

BS EN 60669-1

1 MODULE

- 4450** 1 Way
- 4550** 2 Way
- 4535** Intermediate
- 4451** 1 Way Secret Key
- 4451/ELT** 1 Way Secret Key printed
Emergency Light Test
- 4551** 2 Way Secret Key
- 4551/ELT** 2 Way Secret Key printed
Emergency Light Test

• Customised printing requirements available on request

GRID SPARE KEY

BS EN 60669-1 where applicable

- 6940** Spare Grid Switch Key

20AX RED GRID SWITCHES

BS EN 60669-1

1 MODULE

- 4550/RD** 2 Way
- 4535/RD** Intermediate

• Customised printing requirements available on request

20A GRID SWITCHES

BS EN 60669-1

1 MODULE

- 4552** 2 Way and Off
- 4460** Double Pole
- 4461** DP Secret Key
- 4461/ELT** DP Secret Key printed
Emergency Light Test

• Customised printing requirements available on request

GRID SPARE KEY

BS EN 60669-1 where applicable

- 6940** Spare Grid Switch Key

METALCLAD GRID SWITCHES



4460/RD

20A RED GRID SWITCHES

BS EN 60669-1

1 MODULE

4460/RD Double Pole

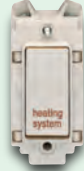
- Customised printing requirements available on request



4460/BO



4460/FR



4460/HT



4460/TD

20A PRINTED WHITE GRID SWITCHES

BS EN 60669-1

1 MODULE

- 4460/BO** DP Printed BOILER
- 4460/HD** DP Printed COOKER HOOD
- 4460/DW** DP Printed DISHWASHER
- 4460/EF** DP Printed EXTRACTOR FAN
- 4460/FR** DP Printed FRIDGE
- 4460/FZ** DP Printed FREEZER
- 4460/FF** DP Printed FRIDGE FREEZER
- 4460/FN** DP Printed FAN
- 4460/HB** DP Printed HOB
- 4460/HT** DP Printed HEATER
- 4460/WM** DP Printed WASHING MACHINE
- 4460/WA** DP Printed WATER HEATER
- 4460/TD** DP Printed TUMBLE DRYER

- Customised printing requirements available on request

METALCLAD GRID SWITCHES



4436

GRID FUSED CONNECTION UNIT MODULES

BS 1363-4

1 MODULE

- 4436** 13A Grid Fuse Connection Unit
- 4436/3A** 3A Grid Fuse Connection Unit



4491

4493

GRID INDICATORS

BS 5733

1 MODULE

- 4491** Red Indicator
- 4493** Green Indicator
- 4494** Amber Indicator



4435

4492

6940

GRID CORD OUTLET MODULES

BS 5733

1 MODULE

- 4435** 16A Cord Outlet

GRID BLANK MODULES

BS 5733

1 MODULE

- 4492** White Grid Blank

GRID SPARE KEYS

BS EN 60669-1 where applicable

- 6940** Spare Grid Switch Key

METALCLAD BACK BOXES



FLUSH GRID BOX

BS 5733

1 - 8 GANG

- 9201/BG** 1 & 2 Gang Flush Box
- 9203/BG** 3 & 4 Gang Flush Box
- 9206/BG** 6 & 8 Gang Flush Box

Dimension 1 & 2 Gang

Height 86mm
Width 86mm
Depth 40mm

Dimension 3 & 4 Gang

Height 86mm
Width 146mm
Depth 40mm

Dimension 6 & 8 Gang

Height 147mm
Width 147mm
Depth 40mm

FLUSH GRID BOX

BS 5733

9 - 24 GANG

- 9209/BG** 9 & 12 Gang Flush Box
- 9209/18BG** 18 Gang Flush Box
- 9209/24BG** 24 Gang Flush Box

Dimension 9 & 12 Gang

Height 207mm
Width 147mm
Depth 40mm

Dimension 18 Gang

Height 267mm
Width 207mm
Depth 40mm

Dimension 24 Gang

Height 267mm
Width 207mm
Depth 40mm

SURFACE MOUNTED GRID BOX WITH PLAIN SIDES

BS 5733

1 - 8 GANG

- 9201/PBG** 1 & 2 Gang Flush Box
- 9203/PBG** 3 & 4 Gang Flush Box
- 9206/PBG** 6 & 8 Gang Flush Box

Dimension 1 & 2 Gang

Height 86mm
Width 86mm
Depth 40mm

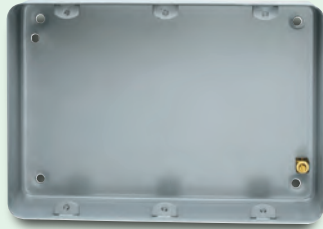
Dimension 3 & 4 Gang

Height 86mm
Width 146mm
Depth 40mm

Dimension 6 & 8 Gang

Height 147mm
Width 147mm
Depth 40mm

METALCLAD BACK BOXES



9209/PBG

SURFACE MOUNTED GRID BOX WITH PLAIN SIDES

BS 5733

9 - 24 GANG

- 9209/PBG** 9 & 12 Gang Flush Box
- 9209/18PBG** 18 Gang Flush Box
- 9209/24PBG** 24 Gang Flush Box

Dimension 9 & 12 Gang

Height 207mm
Width 147mm
Depth 40mm

Dimension 18 Gang

Height 267mm
Width 207mm
Depth 40mm

Dimension 24 Gang

Height 267mm
Width 207mm
Depth 40mm



9201/BG



9206/BG

SURFACE MOUNTED GRID BOX WITH KNOCKOUTS

BS 5733

1 - 8 GANG

- 9201/BG** 1 & 2 Gang Flush Box
- 9203/BG** 3 & 4 Gang Flush Box
- 9206/BG** 6 & 8 Gang Flush Box

Dimension 1 & 2 Gang

Height 86mm
Width 86mm
Depth 40mm

Dimension 3 & 4 Gang

Height 86mm
Width 146mm
Depth 40mm

Dimension 6 & 8 Gang

Height 147mm
Width 147mm
Depth 40mm



9209/18BG

SURFACE MOUNTED GRID BOX WITH KNOCKOUTS

BS 5733

9 - 24 GANG

- 9209/BG** 9 & 12 Gang Flush Box
- 9209/18BG** 18 Gang Flush Box
- 9209/24BG** 24 Gang Flush Box

Dimension 9 & 12 Gang

Height 207mm
Width 147mm
Depth 40mm

Dimension 18 Gang

Height 267mm
Width 207mm
Depth 40mm

Dimension 24 Gang

Height 267mm
Width 207mm
Depth 40mm

For technical and dimensional data please refer to the Technical Information section

METALCLAD REPLACEMENT BACK BOXES



9211/BG

SURFACE MOUNTED REPLACEMENT BOX

BS 5733

1 GANG SURFACE

9211/BG 43mm deep, 20mm knockouts

9211/PBG 43mm deep, no knockouts

1 GANG FLUSH

9221/BG 36mm deep, 20mm knockouts

9221/PBG 36mm deep, no knockouts

Dimension 1 Gang Surface

Height	82.3mm
Width	82.3mm
Depth	41.6mm

Dimension 1 Gang Flush

Height	86mm
Width	86mm
Depth	36mm



9214/BG

SURFACE MOUNTED REPLACEMENT BOX

BS 5733

2 GANG SURFACE

9214/BG 43mm deep, 20mm knockouts

9214/PBG 43mm deep, no knockouts

2 GANG FLUSH

9223/BG 36mm deep, 20mm knockouts

9223/PBG 36mm deep, no knockouts

Dimension 2 Gang Surface

Height	82.6mm
Width	139.5mm
Depth	41.5mm

Dimension 2 Gang Flush

Height	86mm
Width	146mm
Depth	36mm



9226/BG

MULTI MEDIA PLATE BACK BOX

BS 5733

9226/BG 56mm deep, 20/25mm knockouts

9228/BG 35mm deep, 20mm knockouts

Dimension

	9226/BG	9228/BG
Height	193mm	193mm
Width	253mm	253mm
Depth	56mm	35mm

INGRESS PROTECTED ACCESSORIES







9700/3

20AX IP56 SWITCHES

BS EN 60669-1, IP56

1 GANG

- 9701** 1 Way
- 9700** 2 Way
- 9700/3** 2 Way with Seeklight
- 9715** Intermediate



9702

20AX IP56 SWITCH

BS EN 60669-1, IP56

2 GANG

- 9702** 2 Way



9703

20AX IP56 RETRACTIVE SWITCH

BS EN 60669-1, IP56

1 GANG

- 9703** Printed Press

Dimension

Height	96mm
Width	96mm
Depth	56mm

Dimension

Height	96mm
Width	96mm
Depth	56mm

Dimension

Height	96mm
Width	96mm
Depth	56mm

For technical and dimensional data please refer to the Technical Information section



9706

13A IP66 DP SWITCHED SOCKETS

BS 1363-2, IP56

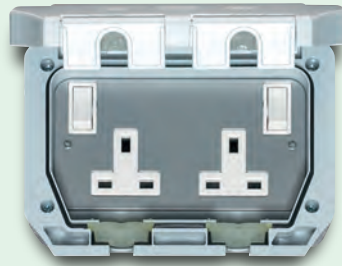
2 GANG

9706

9706/N Non Standard

Dimension

Height 130mm
Width 164mm
Depth 82mm



9705/66

13A IP66 DP SWITCHED SOCKETS

BS 1363-2, IP66

1 GANG

9705/66

2 GANG

9706/66

Dimension

Height 130mm
Width 164mm
Depth 82mm



9704

13A IP56 UNSWITCHED SOCKETS

BS 1363-2, IP56

1 GANG

9704

Dimension

Height 130mm
Width 96mm
Depth 82mm

For technical and dimensional data please refer to the Technical Information section

INGRESS PROTECTED ACCESSORIES



9707

13A IP56 SWITCHED FUSED CONNECTION UNIT

BS 1363-4, IP56

1 GANG

9707 With Flex Outlet



9732

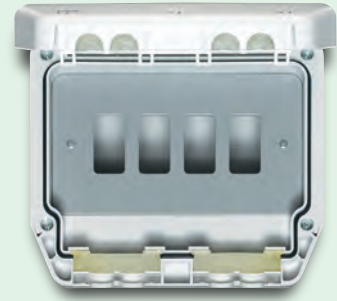
IP56 GRID ENCLOSURES

BS 5733, IP56

1 GANG

9731 Accepts 1 x Rockergrid including Yoke Frame

9732 Accepts 2 x Rockergrid including Yoke Frame



9734

IP56 GRID ENCLOSURES

BS 5733, IP56

2 GANG

9733 Accepts 3 x Rockergrid including Yoke Frame

9734 Accepts 4 x Rockergrid including Yoke Frame

Dimension

Height	130mm
Width	96mm
Depth	82mm

Dimension 2 Gang

Height	130mm
Width	164mm
Depth	82mm



4430



4430/RD

10AX GRID SWITCHES

BS EN 60669-1

1 MODULE

4430 1 Way

4530 2 Way

- Customised printing requirements available on request

10AX GRID SWITCHES WITH RED ROCKER

BS EN 60669-1

1 MODULE

4430/RD 1 Way

4530/RD 2 Way

- Customised printing requirements available on request



4490



4553

10A GRID SWITCHES

BS EN 60669-1

1 MODULE

4489 2 Way Retractive

4489/P 2 Way Retractive printed PRESS

4490 2 Way Retractive with Bell Symbol

4553 2 Way and off Retractive

10AX RED GRID SWITCHES

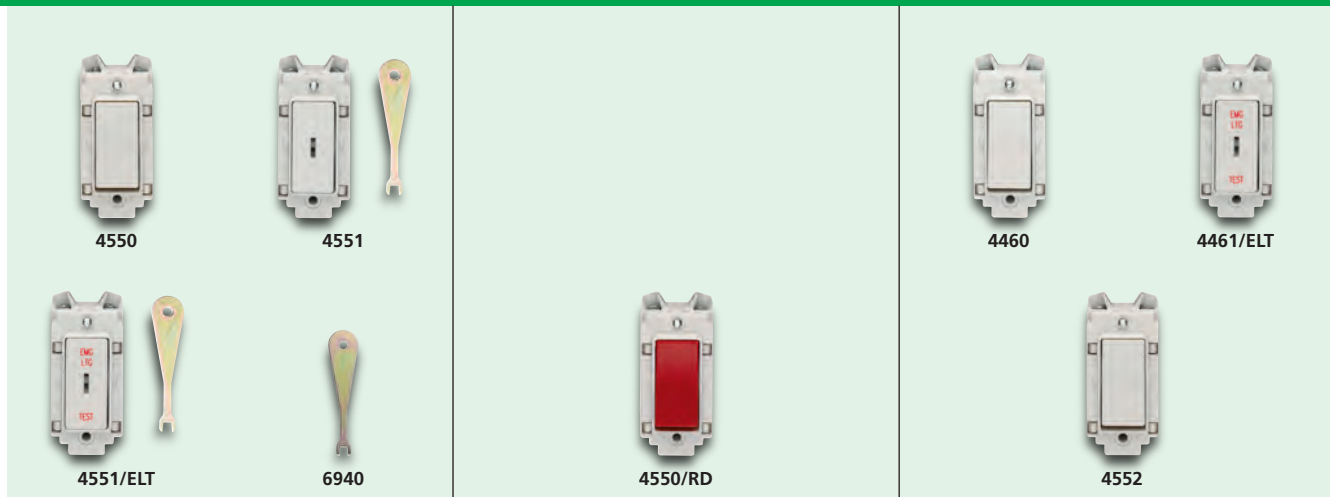
BS EN 60669-1

1 MODULE

4490/RD 2 Way Retractive with Bell Symbol

- Customised printing requirements available on request

GRID SWITCHES FOR INGRESS PROTECTED ACCESSORIES



20AX GRID SWITCHES

BS EN 60669-1

1 MODULE

- 4450** 1 Way
- 4550** 2 Way
- 4535** Intermediate
- 4451** 1 Way Secret Key
- 4451/ELT** 1 Way Secret Key printed
Emergency Light Test
- 4551** 2 Way Secret Key
- 4551/ELT** 2 Way Secret Key printed
Emergency Light Test

• Customised printing requirements available on request

20AX RED GRID SWITCHES

BS EN 60669-1

1 MODULE

- 4550/RD** 2 Way
- 4535/RD** Intermediate

• Customised printing requirements available on request

20A GRID SWITCHES

BS EN 60669-1

1 MODULE

- 4552** 2 Way and Off
- 4460** Double Pole
- 4461** DP Secret Key
- 4461/ELT** DP Secret Key printed
Emergency Light Test

• Customised printing requirements available on request

GRID SPARE KEY

BS 5733

- 6940** Spare Grid Switch Key



4460/RD

20A RED GRID SWITCHES

BS EN 60669-1

1 MODULE

4460/RD Double Pole

- Customised printing requirements available on request



4460/BO



4460/FR



4460/HT



4460/TD

20A PRINTED WHITE GRID SWITCHES

BS EN 60669-1

1 MODULE

- 4460/BO** DP Printed BOILER
- 4460/HD** DP Printed COOKER HOOD
- 4460/DW** DP Printed DISHWASHER
- 4460/EF** DP Printed EXTRACTOR FAN
- 4460/FR** DP Printed FRIDGE
- 4460/FZ** DP Printed FREEZER
- 4460/FF** DP Printed FRIDGE FREEZER
- 4460/FN** DP Printed FAN
- 4460/HB** DP Printed HOB
- 4460/HT** DP Printed HEATER
- 4460/WM** DP Printed WASHING MACHINE
- 4460/WA** DP Printed WATER HEATER
- 4460/TD** DP Printed TUMBLE DRYER

- Customised printing requirements available on request



4440/BL



4425

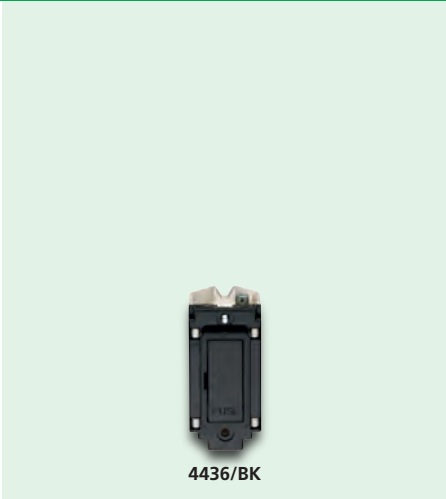
GRID DIMMER MODULES

BS EN 55014-1, BS EN 60669-2-1

1 MODULE

- 4425** 40W - 250W 2 Way Grid Dimmer
- 4425/BL** 40W - 250W 2 Way illuminated Grid Dimmer
- 4440** 40W - 400W 2 Way Grid Dimmer
- 4440/BL** 40W - 400W 2 Way illuminated Grid Dimmer

GRID SWITCHES FOR INGRESS PROTECTED ACCESSORIES



GRID FUSED CONNECTION UNIT MODULES

BS 1363-4

1 MODULE

- 4436** 13A Grid Fuse Connection Unit White
- 4436/BK** 13A Grid Fuse Connection Unit Black
- 4436/3A** 3A Grid Fuse Connection Unit



GRID INDICATORS

BS 5733

1 MODULE

- 4491** Red Indicator
- 4493** Green Indicator
- 4494** Amber Indicator



GRID CORD OUTLET MODULES

BS 5733

1 MODULE

- 4435** 16A Cord Outlet

GRID BLANK MODULES

BS 5733

1 MODULE

- 4492** White Grid Blank

GRID SPARE KEYS

BS 5733

- 6940** Spare Grid Switch Key

INGRESS PROTECTED ENCLOSURES



9722

IP56 DATA MODULE ENCLOSURES

BS 5733, IP56

1 GANG

9722 2 Module Enclosure

Dimension

Height	130mm
Width	96mm
Depth	82mm



9724

IP56 DATA MODULE ENCLOSURES

BS 5733, IP56

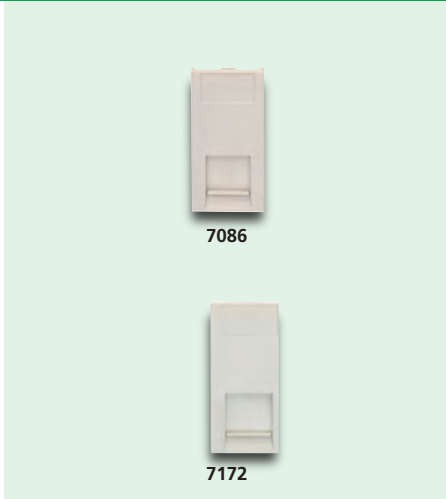
2 GANG

9724 4 Module Enclosure

Dimension

Height	130mm
Width	164mm
Depth	82mm

For technical and dimensional data please refer to the Technical Information section



WHITE EURO TELEPHONE MODULES

1 MODULE

- 7080** Telephone Master Module
- 7071** Telephone Secondary Module
- 7086** Telephone RJ11 Module

WHITE EURO DATA MODULES

1 MODULE

- 7172** RJ45 Category 5e Module
- 7177** RJ45 Category 6 Module
- 7173** Twin RJ45 Category 5e Module

Dimension	
Height	50mm
Width	25mm

Back Box	
Surface Moulded	9043
Flush Galvanised	SB655
Dry Lining	SB619



WHITE EURO TV, FM AND SATELLITE MODULES

1 MODULE

- 7065** Coaxial Male Direct Connection Module
- 7060** Coaxial Male Outlet Screened Module
- 7067** Coaxial Female Direct Connection Module
- 7069** F-Type Satellite Module
- 7074** BNC With 75 Ohm Crimp Connector Module
- 7087** Phono (Female)

WHITE EURO TV, FM AND SATELLITE MODULES

2 MODULE

- 7066** TV/FM DAB/SAT/SAT2 Quadplexer Module

Dimension	1 Module	2 Module
Height	50mm	50mm
Width	25mm	50mm

Back Box 1 & 2 Module	
Surface Moulded	9043
Flush Galvanised	SB655
Dry Lining	SB619

For technical and dimensional data please refer to the Technical Information section



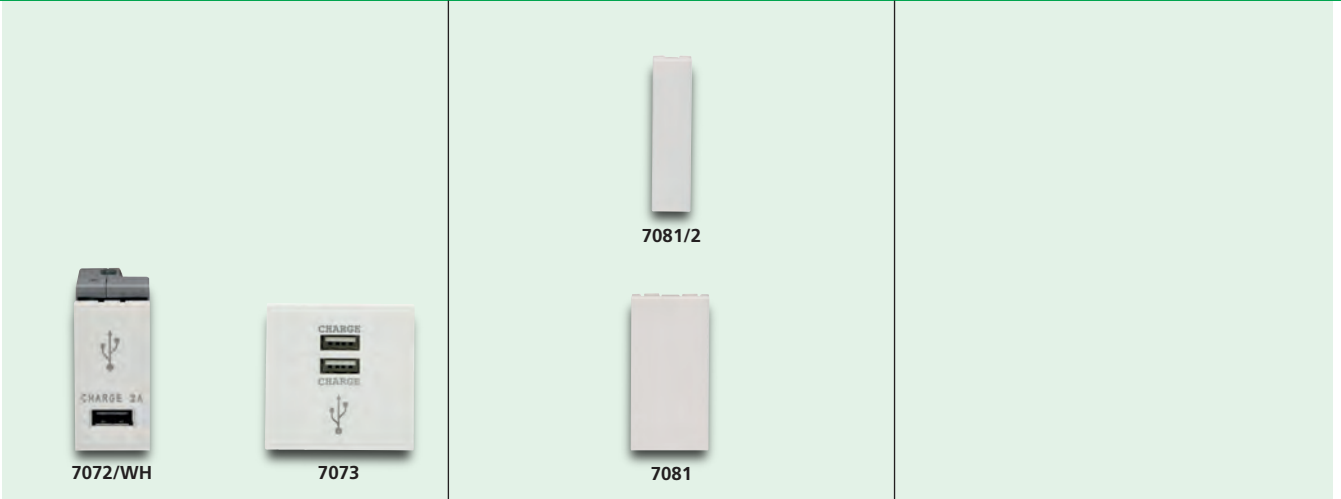
WHITE EURO TV, FM AND SATELLITE MODULE

3 MODULE

- 7064** TV/FM DAB/SAT/SAT2 Quadplexer with Coax Return Module

Dimension	
Height	50mm
Width	75mm

Back Box	
Surface Moulded	9047
Flush Galvanised	SB665
Dry Lining	SB629



WHITE EURO USB MODULES

BS EN 60950-1, BS EN 61000-6-1/3

1 MODULE

7072/WH 1 Module USB 2A 5v Module

7073 2 Module USB 2 x 1A 5v Module

WHITE EURO SOCKET MODULES

2 MODULE

CR1933 2A Round Pin Unswitched Socket Module

WHITE EURO BLANK MODULES

BS 5733

1/2 - 2 MODULES

7081/2 1/2 Module

7081 1 Module

7082 2 Module

Dimension	1 Module	2 Module
Height	50mm	50mm
Width	25mm	50mm

Back Box 1 & 2 Module

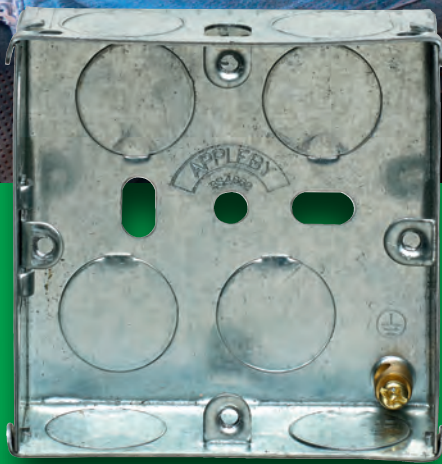
Surface Moulded	9043
Flush Galvanised	SB655
Dry Lining	SB619

Dimension	1 Module	2 Module
Height	50mm	50mm
Width	25mm	50mm

Back Box 1 & 2 Module

Surface Moulded	9043
Flush Galvanised	SB655
Dry Lining	SB619

For technical and dimensional data please refer to the Technical Information section





FLUSH METAL BOXES



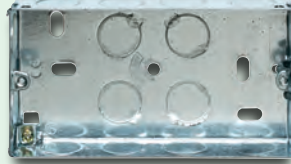
SB623



SB633



SB655



SB665



SB676

16mm METAL SWITCH AND SOCKET BOX

BS 4662

1 GANG

SB623 With 1 x Adjustable Lug,
3 fixed lugs
3 x 16mm
3 x 25mm oval knockouts

2 GANG

SB633 With 1 x Adjustable Lug,
1 fixed lug
6 x 13mm knockouts
3 x 16mm
4 x 25mm oval knockouts

Dimension 1 Gang

Height	70mm
Width	70mm
Depth	16mm

Dimension 2 Gang

Height	130mm
Width	70mm
Depth	16mm

25mm METAL SWITCH AND SOCKET BOX

BS 4662

1 GANG

SB655 With 1 x Adjustable Lug,
3 fixed lugs
12 x 20mm knockouts

2 GANG

SB665 With 1 x Adjustable Lug,
3 fixed lugs
16 x 20mm knockouts

Dimension 1 Gang

Height	68.3mm
Width	68.3mm
Depth	25mm

Dimension 2 Gang

Height	68.3mm
Width	129mm
Depth	25mm

25mm METAL SWITCH AND SOCKET BOX

BS 4662

DUAL 2 X 1 GANG

SB676 25mm with 12x Adjustable Lug,
6 fixed lugs
16 x 20mm knockouts

Dimension

Height	68.3mm
Width	154mm
Depth	25mm



9257



9258/GV

28mm METAL SWITCH AND SOCKET BOX

BS 4662

1 GANG ARCHITRAVE

9257 2 x 16mm knockouts

2 GANG ARCHITRAVE

9258/GV 4 x 16mm knockouts

Dimension 1 Gang

Height	73mm
Width	26.5mm
Depth	28mm

Dimension 2 Gang

Height	133mm
Width	26.5mm
Depth	28mm



SB615



SB646

35mm METAL SWITCH AND SOCKET BOX

BS 4662

1 GANG

SB615 With 1 x Adjustable Lug, 3 fixed lugs
12 x 20mm knockouts

2 GANG

SB625 With 1 x Adjustable Lug, 3 fixed lugs
16 x 20mm knockouts

3 GANG

SB646 With 4 fixed lugs
18 x 20mm knockouts

Dimension 1 Gang

Height	68.3mm
Width	68.3mm
Depth	35mm

Dimension 2 Gang

Height	68.3mm
Width	129mm
Depth	35mm

Dimension 3 Gang

Height	68.3mm
Width	189mm
Depth	35mm



SB636

35mm METAL SWITCH AND SOCKET BOX

BS 4662

DUAL 2 X 1 GANG

SB636 35mm with 12x Adjustable Lug,
6 fixed lugs
16 x 20mm knockouts

Dimension

Height	68.3mm
Width	154mm
Depth	35mm

FLUSH METAL BOXES



35mm METAL SWITCH AND SOCKET BOX

BS 4662

LOUNGE PLATE

SB695 35mm Box to fit
4318/-- Lounge Plate
9 x 20mm knockouts

Dimension

Height	194mm
Width	253mm
Depth	35mm



47mm METAL SWITCH AND SOCKET BOX

BS 4662

1 GANG

SB618 With 1 x Adjustable Lug,
3 fixed lugs
10 x 20mm, 2 x 25mm
knockouts

2 GANG

SB628 With 1 x Adjustable Lug,
1 fixed lug
10 x 20mm, 6 x 25mm
knockouts

Dimension 1 Gang

Height	68.3mm
Width	68.3mm
Depth	47mm

Dimension 2 Gang

Height	68.3mm
Width	129mm
Depth	47mm



56mm METAL SWITCH AND SOCKET BOX

BS 4662

LOUNGE PLATE

SB1590 56mm Box to fit
4318/-- Lounge Plate
20 x 20/25mm knockouts

Dimension

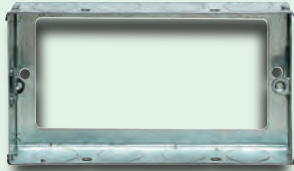
Height	194mm
Width	253mm
Depth	56mm

For technical and dimensional data please refer to the Technical Information section

FLUSH METAL BOXES



SB679



SB680



SB603



SB604

EXTENSION BOXES

BS 4662

1 GANG

SB677 16mm deep

SB679 25mm deep

SB681 32mm deep

2 GANG

SB678 16mm deep

SB680 25mm deep

SB682 32mm deep

FLUSH STEEL ACCESSORIES

BS 4662

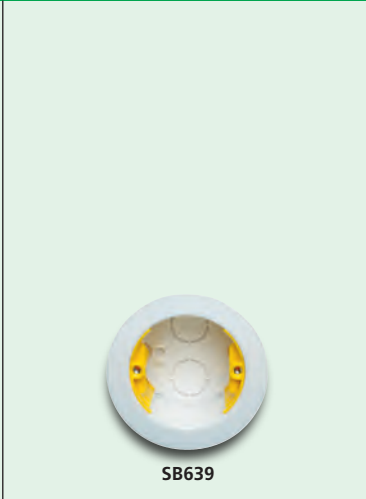
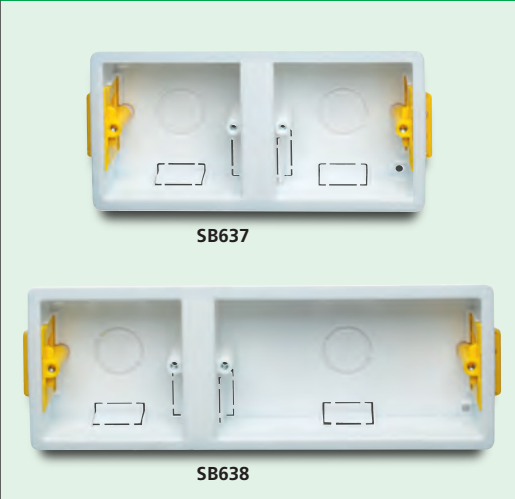
ACCESSORIES

SB603 Fixing flanges to use Metal Boxes with Dry Lining Walls

SB604 Connecting Coupler for 25mm & 35mm Boxes

SB605 PVC Grommit for SB623 Box

DRY LINING BOXES



35mm DRY LINING SWITCH AND SOCKET BOX

BS 5733

1 GANG

SB619 With 2 x Adjustable Lugs

2 GANG

SB629 With 2 x Adjustable Lugs

Dimension 1 Gang

Height	83mm
Width	83mm
Depth	35mm
Cut out	73mm x 73mm

Dimension 2 Gang

Height	83mm
Width	143mm
Depth	35mm
Cut out	133mm x 73mm

35mm DRY LINING SWITCH AND SOCKET BOX

BS 5733

DUAL 2 X 1 GANG

SB637 With 4 x Adjustable Lugs

DUAL 2 + 1 GANG

SB638 With 4 x Adjustable Lugs

• Not compatible with Platinum products

Dimension Dual 1 Gang

Height	83mm
Width	168mm
Depth	35mm
Cut out	158mm x 73mm

Dimension Dual 2 Gang

Height	83mm
Width	228mm
Depth	35mm
Cut out	218mm x 73mm

35mm DRY LINING SWITCH AND SOCKET BOX

BS 5733

CIRCULAR

SB639 2 x Adjustable Lugs

Dimension

Diameter	80mm
Depth	35mm
Cut out Diameter	63mm

For technical and dimensional data please refer to the Technical Information section

DRY LINING BOXES



SB632



SB631



SB/BT



SB/LX

47mm DRY LINING SWITCH AND SOCKET BOX

BS 5733

1 GANG

SB632 2 x Adjustable Lugs

2 GANG

SB631 2 x Adjustable Lugs

DRY LINING BOX ACCESSORIES

BS 4662

ACCESSORIES

SB/BT Brass Earth Terminal

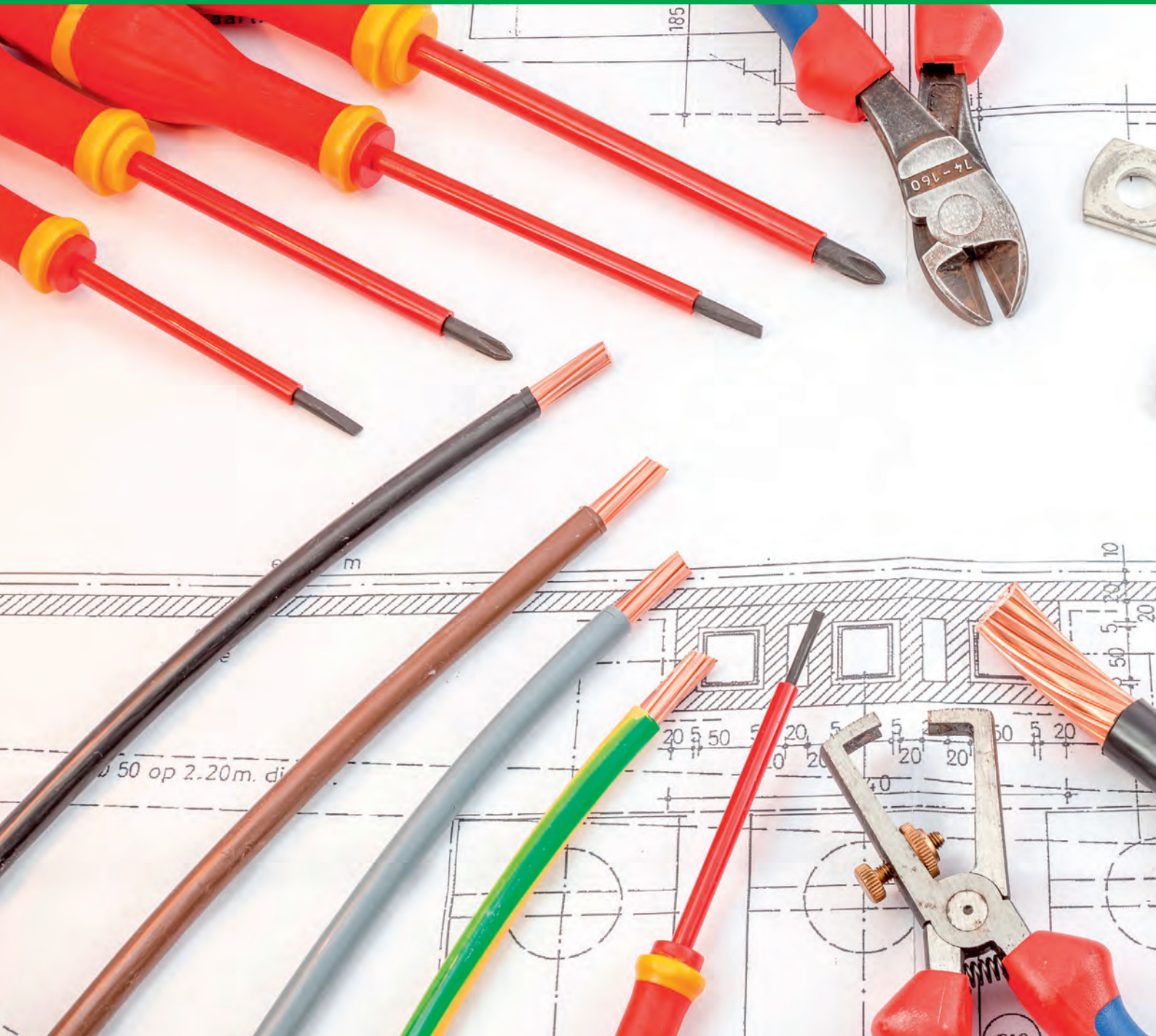
SB/LX Packing Piece for fitting partitions below 6.35mm

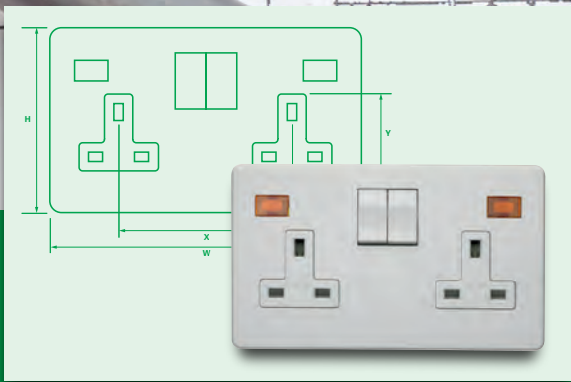
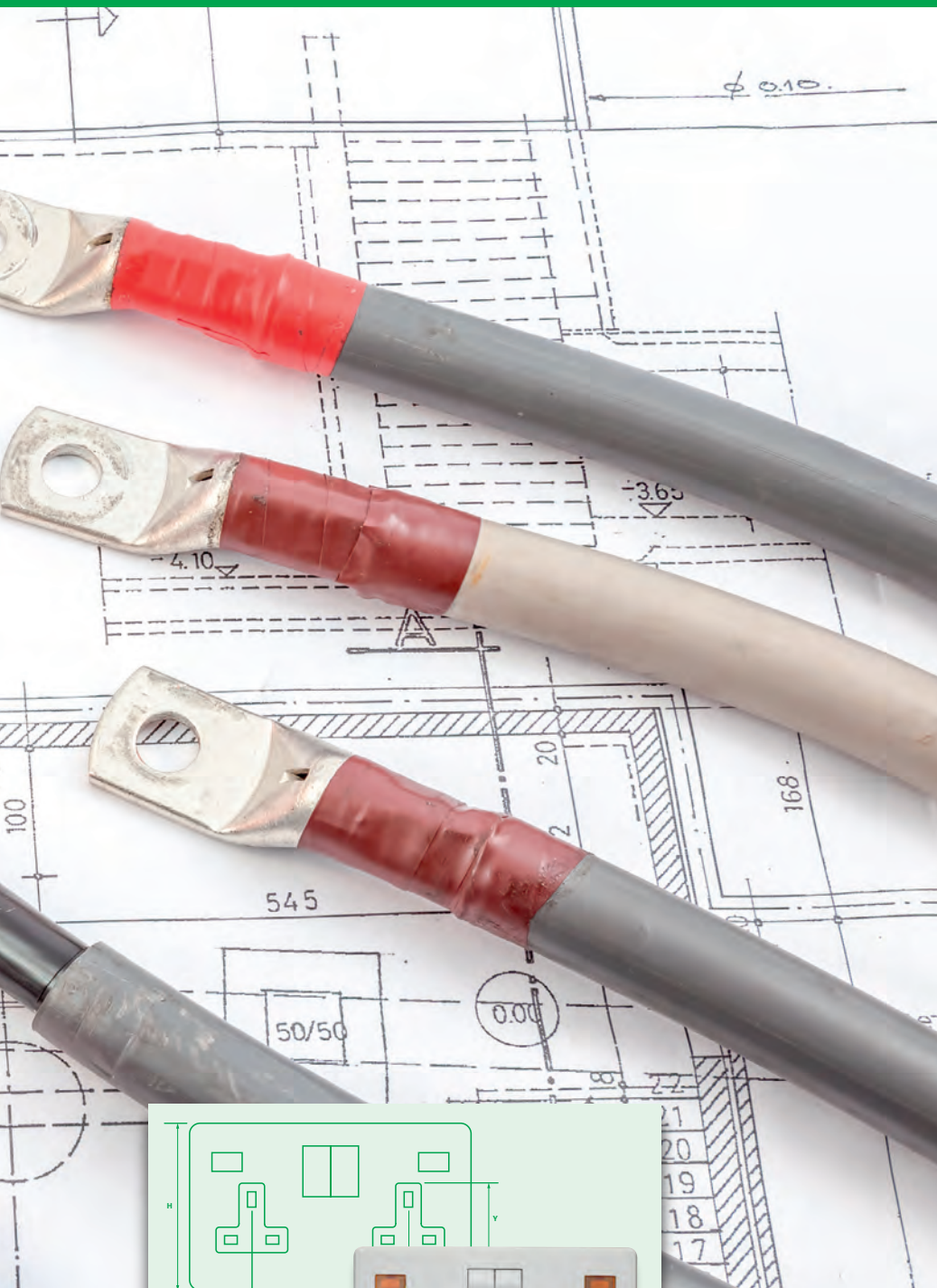
Dimension 1 Gang

Height	83mm
Width	83mm
Depth	48mm

Dimension 2 Gang

Height	83mm
Width	143mm
Depth	48mm





INSTINCT 10AX PLATE SWITCHES

PRODUCT DESCRIPTION

Instinct plate switches are fully rated to 10AX for fluorescent or inductive loads. The plate switches are available from 1 to 6 gang, in both one and two way options. For commercial solutions a full comprehensive range of Part M variants are available. In addition Retractive, Architrave, Intermediate and Double Pole products are also available to complete the range. A Laser print service is also available to customer requirements

PLATE STYLE

The slim stylish plate style gives the installer and end user a modern sleek design, whilst still remaining robust and reliable. The plate depth is never compromised on products throughout the range even within flex outlet, power and grid solutions, allowing for a clean, consistent professional finish.

TECHNICAL SPECIFICATION

Product Standard	BS EN 60669-1
Voltage	250V AC 50Hz
Current Rating	10AX (Fully Rated for Fluorescent loads) 10A (Retractive) Suitable for 100 watt LED loads
Terminal Capacity: L & N	4 x 1.0mm ² , 3 x 1.5mm ² , 1 x 2.5mm ²
Terminal Capacity: E	n/a
Cable Strip Length	10mm
IP Rating	IP2X
LRV Rating	White LRV 74, Grey LRV 8
Other Marking Standards	CE

PRODUCT SPECIFICATION

BS Torque Requirement L & N	0.5Nm
Recommended Back Box Size	16mm (1 & 2 G), 25mm (3,4 & 6 G)
Minimum Back Box Size	16mm (1 & 2 G), 25mm (3,4 & 6 G)
Plate Material	Urea Formaldehyde with inherent antimicrobial properties (Plate and Rockers) Thermoplastic (Base)
Lighting Compatibility	Tungsten Filament Lamps Fluorescent Lamps GU10 or similar hispot Halogen bulbs LED
Contact Gap	3mm
Terminal Screwdriver Type	Slotted

BACK BOX PART REFERENCES

	Flush	Surface	Dry Lining Flush
1-2 Gang	SB623	9043	SB619
3 Gang	SB655	9047	SB619
4-6 Gang	SB665	9048	SB629

RANGE PORTFOLIO

Type	Options
Plate	White Moulded Grey Moulded (Part M) Laser Printed Plates
Printing	Indelible laser marking Tampo Print
Rockers	Standard Rockers
Plate Types	1 Gang, 2 Gang and Architrave
Switch Variants	1,2,3,4 and 6 Gang
Switch Type	Single Pole, Double Pole, Intermediate and Retractive
Ways	1 and 2 way

INSTALLER AND USER INTERFACE FEATURES

Full contact safety cable clamp

The first wiring accessory to utilise this technology. The sliding terminal gives a wider and flatter contact area improving safety by greater cable retention, distributed cable pressure and a reduction in the deformation of cable. The no miss terminal adds further safety as incorrect cable positioning is not possible

In Line and upward facing terminals

Terminals are both inline and upward facing allowing the installer a quicker and safer installation as well as the easier positioning of cables. The product does not need to be twisted or turned to access some terminals reducing the risk of loosening terminated connections

Customisation

A custom service is available to meet all printing needs, from basic printing such as 'Dishwasher' to more specific requirements such as company logos or location references. Printing is undertaken using state of the art laser print technology for a totally indelible marking solution

Additional Features

- Terminals are supplied open and are captive
- All 1 Gang products will fit into a one gang back box without having to bend back the north and south lugs
- Terminal screwdriver lead in
- Uniform screwhead sizes
- Strip Length Indicator
- Maximised wiring space

Minimum product performance

- 40,000 switch operations
- 850/650°C Glow wire



Laser print to customers specification

INSTINCT DIMMER SWITCHES



PRODUCT DESCRIPTION

Instinct dimming solutions cater for dimming capabilities from 5 to 400 watts. The dimmers are all push on and off operated and cover all major lighting types including tungsten, fluorescent, GU10 and LED. The LED dimmer features intelligent technology allowing it to optimise its load even when differing lamp brands or drivers are on one circuit. A laser print service is also available to customers requirements.

PLATE STYLE

The slim stylish plate style gives the installer and end user a modern sleek design, whilst still remaining robust and reliable. The plate depth is never compromised on products throughout the range even within flex outlet, power and grid solutions, allowing for a clean consistent professional finish.

TECHNICAL SPECIFICATION

Product Standard	BS EN 60669-2-1
Voltage	250V AC 50Hz
Current Rating	5 - 100 Watt LED 60 - 250 Watt 60 - 400 Watt
Terminal Capacity: L & N	2 x 1.00mm ² , 1 x 2.5mm ²
Terminal Capacity: E	n/a
IP Rating	IP2X
LRV Rating	White LRV 74
Other Marking Standards	CE

PRODUCT SPECIFICATION

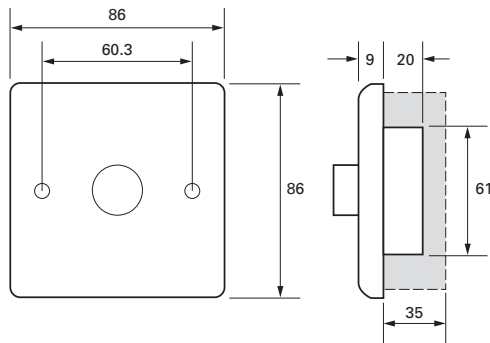
BS Torque Requirement L & N	0.5Nm
Recommended Back Box Size	35mm (5 - 400W)
Minimum Back Box Size	35mm (5 - 400W)
Plate Material	Urea Formaldehyde (Plate and Dimmer knob) with inherent Antimicrobial properties
Lighting Compatibility	Tungsten Filament Lamps Fluorescent Lamps GU10 or similar hispot Halogen bulbs LED
Terminal Screwdriver Type	Slotted

BACK BOX PART REFERENCES

	Flush	Surface	Dry Lining Flush
5 - 400W	SB615	9041	SB619

DIMENSIONS (mm)

1-2 Gang



RANGE PORTFOLIO

Type	Options
Plate	White Moulded
Dimmer Knobs	White Push On and Off
Dimming Ratings	5 - 100 Watt LED 40 - 250 Watt 60 - 400 Watt
Dimmer Variants	1 and 2 Gang
Switch Type	Push On/Off (rotate to dim)
Ways	2 Way

INSTALLER AND USER INTERFACE FEATURES

Intelligent LED Dimming

All LED dimmers have an intelligent capability to optimise their performance based on different LED loads. A learning cycle is initiated by a simple set of actions to the installed dimmer. The dimmer then processes the current lighting load and driver types and optimises itself so it will efficiently work with that load.

This optimisation ensures no flickering or lack of compatibility with lamp types, including differing LED types/drivers on the same circuit.

In Line and upward facing terminals (Excluding 2 Gang)

All terminals are both inline and upward facing allowing the installer a quicker and safer installation. As well as the easier positioning of cables, the product does not need to be twisted or turned to access some terminals, reducing the risk of loosening already terminated connections.

Customisation

A custom service is available to meet all printing needs, from basic printing such as 'Dishwasher' to more specific requirements such as company logos or location references. Printing is undertaken using state of the art laser print technology for a totally indelible marking solution

Additional Features

- 1 Gang products will fit into a one gang back box without having to bend back the north and south lugs (Excluding 2 Gang)
- Terminal screwdriver lead in
- Uniform screwhead sizes
- Maximised wiring space

Minimum product performance

- 40,000 switch operations
- 850/650°C Glow wire



INSTINCT 10 AMP TRIPLE POLE ISOLATOR



PRODUCT DESCRIPTION

Instinct isolator switches are fully rated to 10A and are triple pole. The plate switches are available with a variety of product markings and are complete with a lockable feature as standard. A laser print service is also available for customers requirements

PLATE STYLE

The slim stylish plate style gives the installer and end user a modern sleek design, whilst still remaining robust and reliable. The plate depth is never compromised on products throughout the range even within flex outlet, power and grid solutions, allowing for a clean consistent professional finish.

TECHNICAL SPECIFICATION

Product Standard	BS EN 60669-2-4
Voltage	250V AC 50Hz
Current Rating	10A
Terminal Capacity: L & N	4 x 1.0mm ² , 3 x 1.5mm ² , 1 x 2.5mm ²
Terminal Capacity: E	4 x 1.0mm ² , 3 x 1.5mm ² , 1 x 2.5mm ²
Cable Strip Length	10mm
IP Rating	IP2X
LRV Rating	White LRV 74
Other Marking Standards	CE

PRODUCT SPECIFICATION

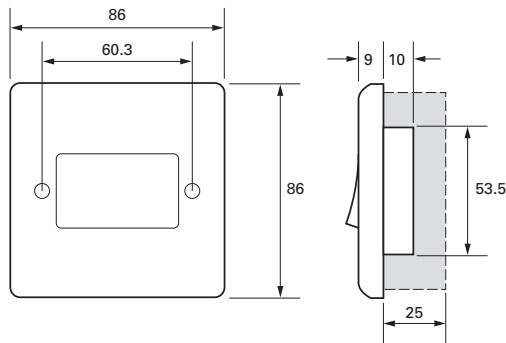
BS Torque Requirement L & N	0.5Nm
Recommended Back Box Size	25mm
Minimum Back Box Size	25mm
Plate Material	Urea Formaldehyde (Plate and Rockers) with Inherent Antimicrobial Properties Thermoplastic (Base)
Contact Gap	3mm
Terminal Screwdriver Type	Slotted
Accessories	748 Padlock

BACK BOX PART REFERENCES

	Flush	Surface	Dry Lining Flush
25mm	SB655	9047	SB619

DIMENSIONS (mm)

1 Gang



RANGE PORTFOLIO

Type	Options
Plate	White Moulded with Isolator Symbol White Moulded with Fan and Isolator Symbol
Printing	Indelible laser marking Tampo Print
Rockers	Large Rockers
Plate Types	1 Gang
Switch Type	Triple Pole

INSTALLER AND USER INTERFACE FEATURES

Full contact safety cable clamp

The first wiring accessory to utilise this technology. The sliding terminal gives a wider and flatter contact area improving safety by greater cable retention, distributed cable pressure and reduction in the deformation of cable. The no miss terminal adds further safety as incorrect cable positioning is not possible

Upward facing terminals

All terminals are upward facing allowing the installer a quicker and safer installation as well as the easier positioning of cables, the product does not need to be twisted or turned to access some terminals, reducing the risk of loosening already terminated connections

Lockable Fan Isolator

The rocker can be locked in the off position using a standard Crabtree 748 padlock

Additional Features

- Terminals are supplied open and are captive
- All 1 Gang products will fit into a one gang back box without having to bend back the north and south lugs
- Terminal screwdriver lead in
- Uniform screwhead sizes
- Strip Length Indicator
- Maximised wiring space

Minimum product performance

- 40,000 switch operations
- 850/650°C Glow wire



Full contact cable clamp



Standard plate depth

INSTINCT 20 AMP DOUBLE POLE CONTROL SWITCHES



PRODUCT DESCRIPTION

Instinct plate switches are all double pole and fully rated to 20 Amps. Plate styles include flex and non flex variants aswell as discreet LED indicators options. For commercial solutions a full comprehensive range of Part M, red rocker and large rocker variants are available. A vast variety of Laser printed variants are available as standard aswell as the capability to produce to customer requirements.

PLATE STYLE

The slim stylish plate style gives the installer and end user a modern sleek design, whilst still remaining robust and reliable. The plate depth is never compromised on products throughout the range even within flex outlet, power and grid solutions, allowing for a clean consistent professional finish.

TECHNICAL SPECIFICATION

Product Standard	BS EN 60669-1
Voltage	250V AC 50Hz
Current Rating	20A
Terminal Capacity: L & N	3 x 2.5mm ² , 2 x 4mm ² , 1 x 6mm ²
Terminal Capacity: E	3 x 2.5mm ² , 2 x 4mm ² , 1 x 6mm ²
Flex Outlet Capacity	1 x 2.5mm ²
Cable Strip Length	10mm
IP Rating	IP2X
LRV Rating	White LRV 74, Grey LRV 8, Red LRV 14
Other Marking Standards	CE

PRODUCT SPECIFICATION

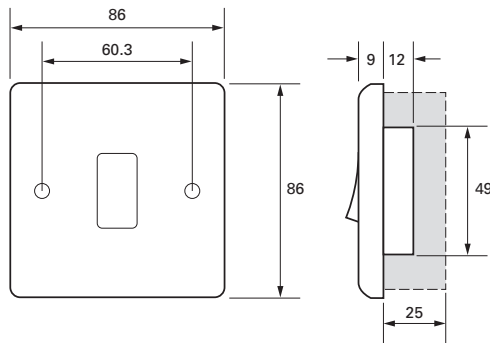
BS Torque Requirement L & N	0.8Nm
Recommended Back Box Size	25mm
Minimum Back Box Size	25mm
Plate Material	Urea Formaldehyde (Plate and Rockers) with Inherent Antimicrobial Properties Thermoplastic (Base)
Contact Gap	3mm
Terminal Screwdriver Type	Slotted

BACK BOX PART REFERENCES

	Flush	Surface	Dry Lining Flush
25mm	SB655	9047	SB619

DIMENSIONS (mm)

1 Gang



RANGE PORTFOLIO

Type	Options
Plate	White Moulded Grey Moulded (Part M) Printed Plates
Printing	Indelible laser marking Tamper Print
Rockers	Standard White Rockers Standard White Rocker with LED Standard Red Rockers Large White Rockers
Plate Types	1 Gang Standard 1 Gang with Flex outlet
Switch Type	Double Pole

INSTALLER AND USER INTERFACE FEATURES

Integrated LED

The first truly integrated LED into a rocker. The Instinct LEDs are very neatly and discreetly situated behind the rocker without compromising visibility which is given by a warm glow around the rocker.

The feature improves on obtrusive coloured lenses or the compromising of plate integrity of weaker 'thinned' areas

Upward facing terminals

All terminals are upward facing allowing the installer a quicker and safer installation as well as the easier positioning of cables, the product does not need to be twisted or turned to access some terminals, reducing the risk of loosening already terminated connections

Customisation

A custom service is available to meet all your printing needs, from basic printing such as 'Dishwasher' to more specific requirements such as company logos or location references. Printing is undertaken using state of the art laser print technology for a totally indelible marking solution

Additional Features

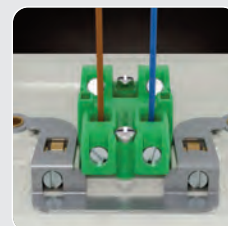
- Full contact safety cable clamp
- Terminals are supplied open and are captive
- All 1 Gang products will fit into a one gang back box without having to bend back the north and south lugs
- Terminal screwdriver lead in
- Uniform screwhead sizes
- Strip Length Indicator
- Maximised wiring space

Minimum product performance

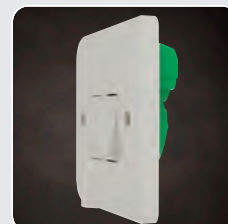
- 10,000 switch operations
- 850/650°C Glow wire



Integrated LED indicator



In line upward facing terminals



Standard plate depth

INSTINCT 20 AMP AND 50 AMP FLEX OUTLET PLATES



PRODUCT DESCRIPTION

Instinct flex outlets are rated to **20 and 50 Amps** across two product variants. The **20 Amp flex outlet is capable of supporting up to 2.5mm cable and 16mm for the 50 Amp outlet. A Laser print service is also available to customers requirements**

PLATE STYLE

The slim stylish plate style gives the installer and end user a modern sleek design, whilst still remaining robust and reliable. The plate depth is never compromised on products throughout the range even within flex outlet, power and grid solutions, allowing for a clean consistent professional finish.

TECHNICAL SPECIFICATION

Product Standard	BS 5733
Voltage	250V AC 50Hz
Current Rating	20A & 50A
Terminal Capacity: L & N	1.5mm ² to 4mm ² (20A), 10mm ² to 16mm ² (50A)
Terminal Capacity: E	1.5mm ² to 4mm ² (20A), 10mm ² to 16mm ² (50A)
Flex outlet Capacity	2.5mm ² (20A), 16mm ² (50A)
Cable Strip Length	10mm (20Amp)
IP Rating	IP2X
LRV Rating	White LRV 74
Other Marking Standards	CE

PRODUCT SPECIFICATION

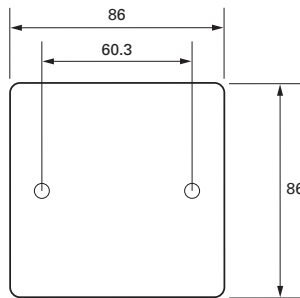
BS Torque Requirement: L & N	0.8Nm (20A), 2.5Nm (50A)
BS Torque Requirement: E	0.8Nm (20A), 1.2Nm (50A)
Recommended Back Box Size	25mm (20Amp), 47mm (50Amp)
Minimum Back Box Size	25mm (20Amp), 47mm (50Amp)
Plate Material	Urea Formaldehyde with Inherent Antimicrobial Properties Thermoplastic (Base)
Accessories	CR1506/COVER Spare 50A safety Cover

BACK BOX PART REFERENCES

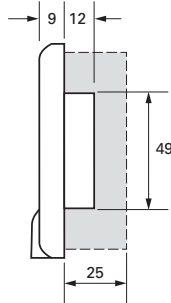
	Flush	Surface	Dry Lining Flush
25mm	SB655	9047	SB619
47mm	SB618	9041	SB632

DIMENSIONS (mm)

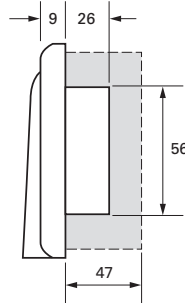
1 Gang



20A



50A



RANGE PORTFOLIO

Type	Options
Plate	White Moulded
Printing	Indelible laser marking Tamper Print
Plate Types	1 Gang Standard

INSTALLER AND USER INTERFACE FEATURES

Flex outlet Safety Cover (50A)

The 50A flex outlet is supplied complete with safety cover to maintain plate integrity. When an appliance is not fitted the flex outlet hole can be left open, exposing live parts. The cover allows this hole to be completely covered, fully maintaining the plates integrity. This cover can be stored on the rear of the plate when not required

Upward facing terminals (20A)

All terminals are upward facing allowing the installer a quicker and safer installation as well as the easier positioning of cables, the product does not need to be twisted or turned to access terminals, reducing the risk of loosening already terminated connections

Customisation

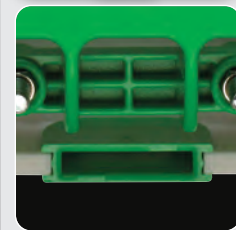
A custom service is available to meet all your printing needs, from basic printing such as 'Dishwasher' to more specific requirements such as company Logos or location references. Printing is undertaken using state of the art laser print technology for a totally indelible marking solution

Additional Features

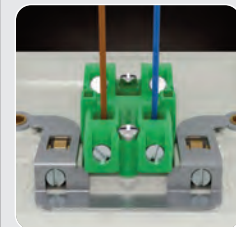
- Terminals are supplied open and captive (20A)
- All 1 Gang products will fit into a one gang back box without having to bend back the north and south lugs
- Uniform screwhead sizes
- Strip Length Indicator
- Maximised wiring space

Minimum product performance

- 850/650°C Glow wire



Flex outlet safety cover



In line upward facing terminals

INSTINCT 50 AMP DOUBLE POLE CONTROL SWITCHES



PRODUCT DESCRIPTION

Instinct plate switches are all double pole, available in 1 and 2 gang and fully rated to 50 Amps. Rockers include discreet LED indicators options. For commercial solutions a full comprehensive range of Part M is available as well as a laser print service to customers requirements. Printed plates are already available as standard items such as 'Cooker' and 'Shower'.

PLATE STYLE

The slim stylish plate style gives the installer and end user a modern sleek design, whilst still remaining robust and reliable. The plate depth is never compromised on products throughout the range even within flex outlet, power and grid solutions, allowing for a clean consistent professional finish. Rockers remain white to give a clean aesthetic

TECHNICAL SPECIFICATION

Product Standard	BS EN 60669-1
Voltage	250V AC 50Hz
Current Rating	50A
Terminal Capacity: L & N	10mm ² to 16mm ²
Terminal Capacity: E	10mm ² to 16mm ²
Cable Strip Length	25mm L&N, 10mm Earth
IP Rating	IP2X
LRV Rating	White LRV 74, Grey LRV 8
Other Marking Standards	CE

PRODUCT SPECIFICATION

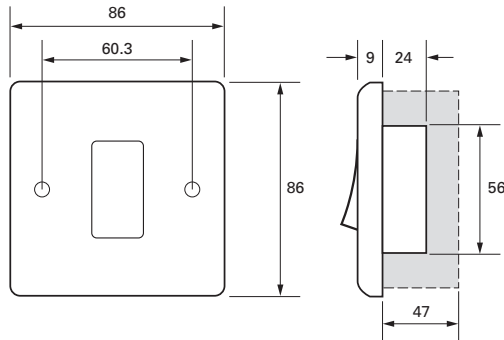
BS Torque Requirement: L & N	2.5Nm
BS Torque Requirement: E	1.2Nm
Recommended Back Box Size	47mm
Back Box Minimum depth	35mm
Plate Material	Urea Formaldehyde (Plate and Rockers) with Inherent Antimicrobial Properties Thermoplastic (Base)
Contact Gap	3mm
Terminal Screwdriver Type	Slotted

BACK BOX PART REFERENCES

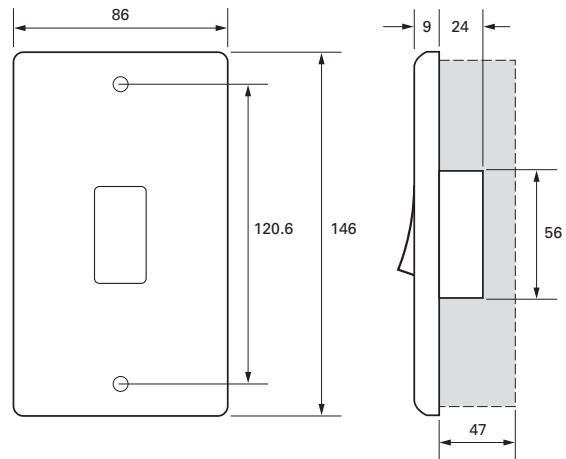
	Flush	Surface	Dry Lining Flush
1 Gang 47mm	SB618	9041	SB632
2 Gang 47mm	SB628	9040	SB631

DIMENSIONS (mm)

1 Gang



2 Gang



RANGE PORTFOLIO

Type	Options
Plate	White Moulded Grey Moulded Printed Plates
Printing	Indelible laser marking Tampo Print
Rockers	Standard White Rockers Standard White Rocker with LED
Plate Types	1 Gang, 2 Gang
Switch Type	Double Pole

INSTALLER AND USER INTERFACE FEATURES

Integrated LED

The first truly integrated LED into a rocker. The instinct LEDs are very neatly and discreetly situated behind the rocker without compromising visibility which is given by a warm glow around the rocker.

The feature improves on obtrusive coloured lenses or the compromising of plate integrity of weaker 'thinned' areas

1 Gang Box Fitment

Instinct products have been expertly designed to make the installation a quicker and easier experience.

1 Gang products have been designed so that they can fit onto a 1 gang flush back box with all 4 lugs in the open position.

Customisation

A custom service is available to meet all your printing needs, from basic printing such as 'Dishwasher' to more specific requirements such as company Logos or location references. Printing is undertaken using state of the art laser print technology for a totally indelible marking solution

Additional Installation and product Benefits

- Terminal screwdriver lead in
- Uniform screwhead sizes
- Strip Length Indicator
- Maximised wiring space

Minimum product performance

- 10,000 switch operations
- 850/650°C Glow wire



Integrated LED indicator



Laser print to customers specification

INSTINCT 45 AMP COOKER CONTROL UNITS



PRODUCT DESCRIPTION

Instinct cooker control unit switches and socket are both double pole and fully rated to 45 Amps and 13 Amps respectively. Rocker styles include discreet LED indicators options. A Laser print service is also available to customers requirements

PLATE STYLE

The slim stylish plate style gives the installer and end user a modern sleek design, whilst still remaining robust and reliable. The plate depth is never compromised on products throughout the range even within flex outlet, power and grid solutions, allowing for a clean consistent professional finish. Rockers remain white to give a clean aesthetic

TECHNICAL SPECIFICATION

Product Standard	BS 4177
Voltage	250V AC 50Hz
Current Rating	45A Switch, 13A Socket
Terminal Capacity: L & N	2 x 6mm ² , 1 x 10mm ² , 1 x 16mm ²
Terminal Capacity: E	2 x 6mm ² , 1 x 10mm ² , 1 x 16mm ²
Cable Strip Length	25mm L&N, 10mm Earth
IP Rating	IP2X
Ambient Temperature	-5 to 40° C
LRV Rating	White LRV 74
Other Marking Standards	CE

PRODUCT SPECIFICATION

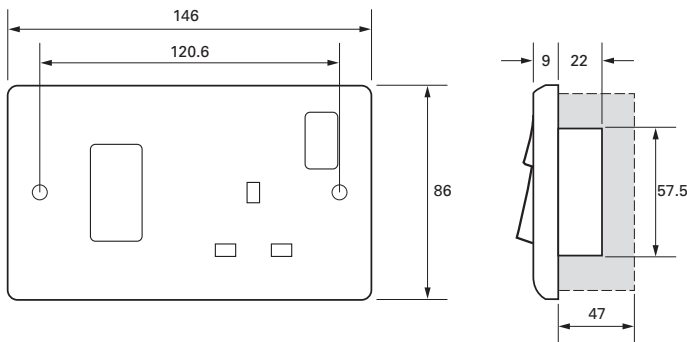
BS Torque Requirement: L & N	2.5Nm
BS Torque Requirement: E	1.2Nm
Recommended Back Box Size	47mm
Back Box Minimum Depth	35mm
Plate Material	Urea Formaldehyde (Plate and Rockers) with Inherent Antimicrobial Properties Thermoplastic (Base)
Plug Type	UK 3 pin
Contact Gap	3mm
Terminal Screwdriver Type	Slotted

BACK BOX PART REFERENCES

	Flush	Surface	Dry Lining Flush
47mm	SB628	9054	SB631

DIMENSIONS (mm)

2 Gang



RANGE PORTFOLIO

Type	Options
Plate	White Moulded Printed Plates
Printing	Indelible laser marking Tampo Print
Rockers	Standard White Rockers Standard White Rocker with LED
Plate Types	2 Gang
Switch Type	13A Double Pole 45A Double Pole

INSTALLER AND USER INTERFACE FEATURES

Integrated LED

The first truly integrated LED into a rocker. The Instinct LEDs are very neatly and discreetly situated behind the rocker without compromising visibility which is given by a warm glow around the rocker.

The feature improves on obtrusive coloured lenses or the compromising of plate integrity of weaker 'thinned' areas

Customisation

A custom service is available to meet all your printing needs, from basic printing such as 'Dishwasher' to more specific requirements such as company Logos or location references. Printing is undertaken using state of the art laser print technology for a totally indelible marking solution

Additional Installation and product Benefits

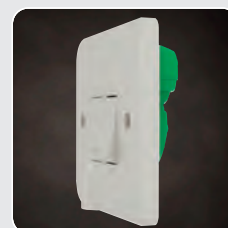
- Uniform screwhead sizes
- Maximised wiring space

Minimum product performance

- 10,000 switch operations
- 30,000 socket switch operations
- 30,000 socket insertions
- 850/650°C Glow wire



Integrated LED indicator



Standard plate depth

INSTINCT 13 AMP SOCKET OUTLETS



PRODUCT DESCRIPTION

Instinct sockets are available switched and unswitched in single pole, double pole and clean earth. For commercial solutions a full comprehensive range of Part M, medical blue and red sockets including red and green rocker variants are available. To expand the portfolio further these options are also available as Inboard and Outboard switched solutions with and without discreet LEDs. Finally a laser print service is also available to customers requirements

PLATE STYLE

The slim stylish plate style gives the installer and end user a modern sleek design, whilst still remaining robust and reliable. The plate depth is never compromised on products throughout the range even within flex outlet, power and grid solutions, allowing for a clean consistent professional finish.

TECHNICAL SPECIFICATION

Product Standard	BS 1363-2
Voltage	250V AC 50Hz
Current Rating	13A
USB Output	2.1 Amps Shared
SRCD	30mA Passive
Terminal Capacity: L & N	3 x 1.5mm ² , 3 x 2.5mm ² , 2 x 4mm ²
Terminal Capacity: E	3 x 1.5mm ² , 3 x 2.5mm ² , 2 x 4mm ²
Cable Strip Length	12mm
IP Rating	IP2X
Ambient Temperature	-5 to 40° C
LRV Rating	White LRV 74 Grey LRV 8 Red LRV 14 Blue LRV 20 Green LRV 19

Other Marking Standards

CE

PRODUCT SPECIFICATION

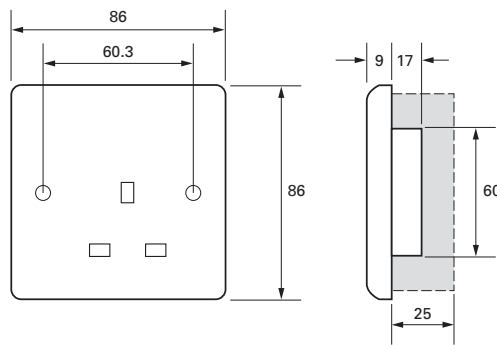
BS Torque Requirement: L, N & E	1.2Nm
Recommended Back Box Size	25mm
Plate Material	Urea Formaldehyde (Plate and Rockers) with Inherent Antimicrobial Properties Thermoplastic (Base)
Contact Gap	3mm
Plug Type	UK 3 Pin, 3 Pin with non Standard Earth
Terminal Screwdriver Type	Slotted
Accessories	13NP Non Standard Plug

BACK BOX PART REFERENCES

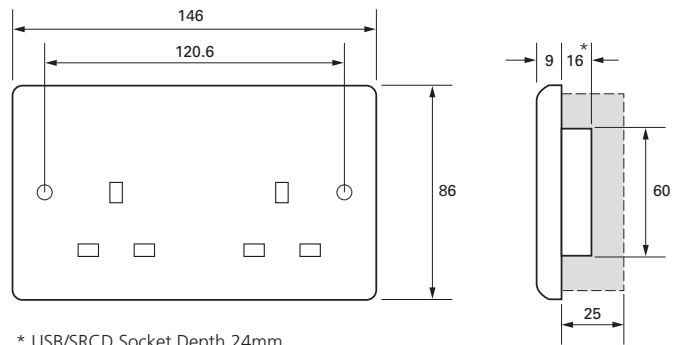
	Flush	Surface	Dry Lining Flush
1 Gang 25mm	SB655	9047	SB619
2 Gang 25mm	SB665	9048	SB629
2 Gang 35mm (USB/SRCD Socket)	SB625	9040	SB629

DIMENSIONS (mm)

1 Gang



2 Gang



* USB/SRCD Socket Depth 24mm

RANGE PORTFOLIO

Type	Options
Plate	White Moulded Grey Moulded (Part M) Red Moulded (Dedicated Supplies) Blue Moulded
Printing	Indelible laser marking Tampo Print
Rockers	Inboard and Outboard White Rockers Standard Inboard and Outboard White Rocker with LED Standard Inboard and Outboard Red Rockers Standard Inboard and Outboard Red Rockers with LED Standard Inboard and Outboard Green Rockers
Plate Types	1 Gang Standard 2 Gang Standard
Plug Type	13A UK Standard, 13A Non Standard Earth Pin
Switch Type	Single Pole, Double Pole, Clean Earth



INSTALLER AND USER INTERFACE FEATURES

Full contact safety cable clamp

The first wiring accessory to utilise this technology. The sliding terminal gives a wider and flatter contact area improving safety by greater cable retention, distributed cable pressure and a reduction in the deformation of cable. The no miss terminal adds further safety as incorrect cable positioning is not possible.

In Line and upward facing terminals

All terminals are both inline and upward facing allowing the installer a quicker and safer installation as well as the easier positioning of cables, the product does not need to be twisted or turned to access some terminals, reducing the risk of loosening already terminated connections

USB intelligence

USB Sockets incorporate intelligence so that when a device is plugged into the charger, the charger instantly recognises the device and optimises the charge parameters throughout the full charging cycle. This ensures both compatibility and optimised charging times for each device that is plugged in

Additional Installation and product Benefits

- Multipin operation shutter
- Red Sockets are all clean earth as standard
- Customisable laser printing to customer requirements
- Terminals are supplied open and are captive
- All 1 Gang products will fit into a one gang back box without having to bend back the north and south lugs
- Terminal screwdriver lead in
- Uniform screwhead sizes
- Strip Length Indicator
- Integrated LED indicator

Minimum product performance

- 10,000 switch operations
- 30,000 socket insertions
- 30,000 socket switch operations
- 850/650°C Glow wire



Multipin operation shutter



Full contact cable clamp



Integrated LED indicator

FOR BIM INFORMATION PLEASE CONTACT
CRABTREE TECHNICAL ON 01543 438310 or
crabtree.technical@electrium.co.uk

INSTINCT 3 AND 13 AMP FUSED CONNECTION UNITS



PRODUCT DESCRIPTION

Instinct fused connection units are available as double pole switched and unswitched. For commercial solutions a full comprehensive range of Part M, fully red and red rocker only variants are available. To expand the portfolio further tamperproof screw secured fuse draws and flex outlet options are also available, all with or without discreet LEDs. Terminals are all inline in two clearly segregated Load and supply groups. Finally a vast variety of pre laser printed variants are available as standard as well as the capability to produce to customer requirements.

PLATE STYLE

The slim stylish plate style gives the installer and end user a modern sleek design, whilst still remaining robust and reliable. The plate depth is never compromised on products throughout the range even within flex outlet, power and grid solutions, allowing for a clean consistent professional finish.

TECHNICAL SPECIFICATION

Product Standard	BS 1363-4
Voltage	250V AC 50Hz
Current Rating	13A
SRCD	30mA Passive
Terminal Capacity: L & N	3 x 1.5mm ² , 3 x 2.5mm ² , 2 x 4mm ²
Terminal Capacity: E	3 x 1.5mm ² , 3 x 2.5mm ² , 2 x 4mm ²
Flex Outlet Capacity	1 x 2.5mm ²
Cable Strip Length	14mm
IP Rating	IP2X
Ambient Temperature	-5 to 40° C
LRV Rating	White LRV 74 Red LRV 14 Grey LRV 8
Other Marking Standards	CE

PRODUCT SPECIFICATION

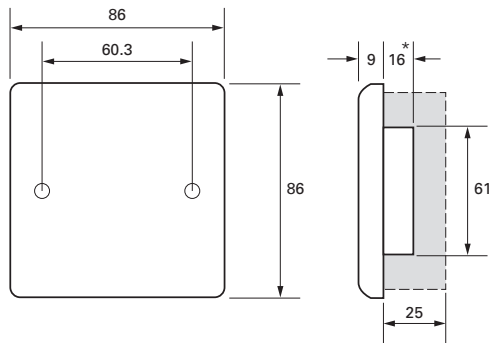
BS Torque Requirement: L & N	1.2Nm
BS Torque Requirement: E	0.8Nm
Recommended Back Box Size	35mm
Minimum Back Box Size	25mm
Plate Material	Urea Formaldehyde (Plate and Rockers) with Inherent Antimicrobial Properties Thermoplastic (Base)
Contact Gap	3mm
Fuse	3A & 13A BS1362
Tamperproof Screw	Steel, Bespoke key fitting (List No: CR2941)
Terminal Screwdriver Type	Slotted
Accessories	CR2941 Spare Tamperproof Key 748 Padlock

BACK BOX PART REFERENCES

	Flush	Surface	Dry Lining Flush
1 Gang 25mm	SB655	9047	SB619
1 Gang 35mm	SB615	9047	SB619

DIMENSIONS (mm)

1 Gang



* SRCD Socket Depth 24mm

RANGE PORTFOLIO

Type	Options
Plate	White Moulded Grey Moulded (Part M) Red Moulded (Dedicated Supply) Printed Plates
Printing	Indelible laser marking Tampo Print
Rockers	Standard White Rocker Standard White Rocker with LED Standard Red Rocker
Plate Types	1 Gang Standard 1 Gang Flex outlet
Fuse Draw	Close without screw Lockable with tamperproof screw (with or without fuse)
Switch Type	Double Pole

INSTALLER AND USER INTERFACE FEATURES

Full contact safety cable clamp

The first wiring accessory to utilise this technology. The sliding terminal gives a wider and flatter contact area improving safety by greater cable retention, distributed cable pressure and a reduction in the deformation of cable. The no miss terminal adds further safety as incorrect cable positioning is not possible.

In Line and upward facing terminals

All terminals are both inline and upward facing allowing the installer a quicker and safer installation as well as the easier positioning of cables, the product does not need to be twisted or turned to access some terminals, reducing the risk of loosening already terminated connections

Customisation

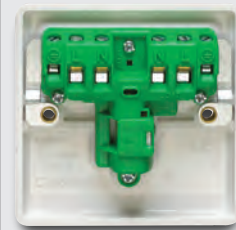
A custom service is available to meet all your printing needs, from basic printing such as 'Dishwasher' to more specific requirements such as company Logos or location references. Printing is undertaken using state of the art laser print technology for a totally indelible marking solution

Additional Installation and product Benefits

- Discreet Integrated LED in rocker and Fuse Draw
- Terminals are supplied open and are captive
- All 1 Gang products will fit into a one gang back box without having to bend back the north and south lugs
- Terminal screwdriver lead in
- Uniform screwhead sizes
- Strip Length Indicator
- Fuse Draw lockable when open
- Maximised wiring space

Minimum product performance

- 30,000 switch operations
- 850/650°C Glow wire



Integrated LED indicator



Full contact cable clamp



Tamperproof screw

INSTINCT DUAL VOLTAGE SHAVER SOCKET



PRODUCT DESCRIPTION

The Instinct shaver socket is dual voltage for 230V and 115V output. Both outlets are shuttered for safety.

PLATE STYLE

The slim stylish plate style gives the installer and end user a modern sleek design, whilst still remaining robust and reliable. The plate depth is never compromised on products throughout the range even within flex outlet, power and grid solutions, allowing for a clean consistent professional finish. Rockers remain white to give a clean aesthetic

TECHNICAL SPECIFICATION

Product Standard	BS EN 61558-2-5
Voltage Input	250V AC 50Hz
Voltage Output	230V and 115V
Current	20VA
Terminal Capacity: L & N	4 x 1.0mm ² , 3 x 1.5mm ²
Terminal Capacity: E	4 x 1.0mm ² , 3 x 1.5mm ²
IP Rating	IP2I
LRV Rating	White LRV 74
Other Marking Standards	CE

PRODUCT SPECIFICATION

BS Torque Requirements L, N & E	0.6Nm
Recommended Back Box Size	47mm
Minimum Back Box	47mm
Plate Material	Urea Formaldehyde with Inherent Antimicrobial Properties Thermoplastic (Base)
Terminal Screwdriver Type	Slotted

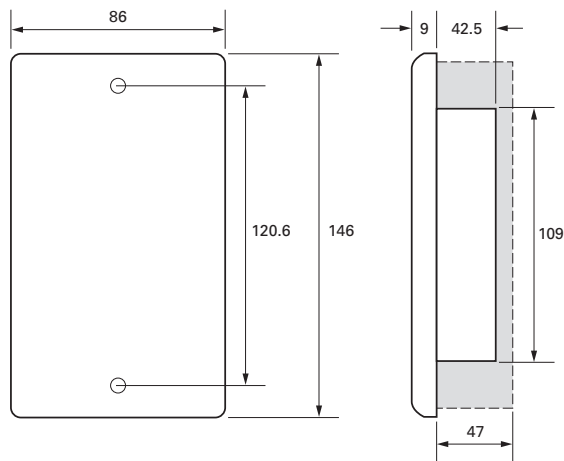
BACK BOX PART REFERENCES

	Flush	Surface	Dry Lining Flush
47mm	SB628	9053	SB631

INSTINCT DUAL VOLTAGE SHAVER SOCKET

DIMENSIONS (mm)

2 Gang



RANGE PORTFOLIO

Type	Options
Plate	White Moulded
Printing	Indelible laser marking Tampon Print
Plate Types	2 Gang

INSTALLER AND USER INTERFACE FEATURES

Customisation

A custom service is available to meet all your printing needs, from basic printing such as 'Dishwasher' to more specific requirements such as company Logos or location references. Printing is undertaken using state of the art laser print technology for a totally indelible marking solution

Dual Voltage

Two different voltage shuttered outlets are present on the shaver socket. These outlets are rated at 230V and 115V which caters for the majority of application

Additional Installation and product Benefits

- Consistent aesthetic and depth
- Uniform screwhead size
- Uniform terminal depth

Minimum product performance

- 850/650°C Glow wire

INSTINCT 10 AMP & 10AX GRID SWITCHES



PRODUCT DESCRIPTION

Instinct grid switches are fully rated to 10AX for fluorescent or inductive loads. For commercial solutions a full comprehensive range of switches in the range that include, Part M, red rocker, retractive and intermediate versions. Grid switches are front mounted and screw secured to ensure switches do not become loose. Multifunctional yokes add to on-site flexibility and reduction in stock requirements. Grid plate variations cater from 1 to 24 Gang. A vast variety of pre laser printed variants are available as standard as well as the capability to produce to customer requirements.

PLATE STYLE

The slim stylish plate style gives the installer and end user a modern sleek design, whilst still remaining robust and reliable. The plate depth is never compromised on products throughout the range even within flex outlet, power and grid solutions, allowing for a clean consistent professional finish.

TECHNICAL SPECIFICATION

Product Standard	BS EN 60669-1
Voltage	250V AC 50Hz
Current Rating	10AX (Fully Rated for Fluorescent loads) 10A (Retractive) Suitable for 100 watt LED loads
Terminal Capacity: L & N	4 x 1.0mm ² , 3 x 1.5mm ² , 1 x 2.5mm ²
Terminal Capacity: E	N/A
Cable Strip Length	10mm
IP Rating	IP2X
LRV Rating	White LRV 74 Metalclad 34 Red LRV 14 Grey LRV 8
Other Marking Standards	CE

PRODUCT SPECIFICATION

BS Torque Requirement L & N	0.5Nm
Recommended Back Box Size	25mm
Minimum Back Box Size	16mm
Rocker Material	Urea Formaldehyde with Inherent Antimicrobial Properties (Rocker) Thermoplastic (Base)
Lighting Compatibility	Tungsten Filament Lamps Fluorescent Lamps GU10 or similar hispot Halogen bulbs LED
Contact Gap	3mm
Terminal Screwdriver Type	Slotted
Accessories	Grid Plates See page 32 Grid Boxes See page 42 Grid Yokes CR2912 1 & 2G, CR2934 3 & 4G, CR2906 6G

RANGE PORTFOLIO

Type	Options
Switch Types	Single Pole, Retractive, Intermediate
Ways	1 and 2 way
Rockers	Standard White Rockers Standard Grey Rockers Standard Red Rockers Standard Printed Rockers
Printing	Indelible laser marking Tampo Print

INSTALLER AND USER INTERFACE FEATURES

Secure and flexible grid system

Grid switches are screw mounted into multifunction grid frames. When rotated 180 degrees the frame changes to an alternative 'gang' solution. For example when the 1 gang grid frame is rotated 180 degrees, it can then be used as a 2 gang. The screw connection ensures the switches are firmly secured within the yoke and do not push out especially in larger grid installations 8 gang and upwards

In Line and upward facing terminals

All terminals are both inline and upward facing allowing the installer a quicker and safer installation. As well as the easier positioning of cables, the product does not need to be twisted or turned to access some terminals, reducing the risk of loosening already terminated connections

Customisation

A custom service is available to meet all your printing needs, from basic printing such as 'Dishwasher' to more specific requirements such as company Logos or location references. Printing is undertaken using state of the art laser print technology for a totally indelible marking solution

Additional Installation and product Benefits

- Full contact safety cable clamp
- Terminals are supplied open and are captive
- All 1 Gang products will fit into a one gang back box without having to bend back the north and south lugs
- Terminal screwdriver lead in
- Uniform screwhead sizes
- Strip Length Indicator
- Maximised wiring space

Minimum product performance

- 40,000 switch operations
- 850/650°C Glow wire



INSTINCT 20 AMP & 20AX GRID SWITCHES



PRODUCT DESCRIPTION

Instinct grid switches are fully rated to 20 Amp and 20AX for fluorescent or inductive loads. For commercial solutions a full comprehensive range of switches in the range that include, Part M, red rocker, retractive, 2 way and off, push to make or break, key switches and intermediate versions. LEDs are discretely incorporated into the grid rocker switches where applicable. Grid switches are front mounted and screw secured to ensure switches do not become loose. Multifunctional yokes add to on-site flexibility and reduction in stock requirements. Grid plate variations cater from 1 to 24 Gang plate sizes. A vast variety of pre laser printed variants are available as standard as well as the capability to produce to customer requirements

PLATE STYLE

The slim stylish plate style gives the installer and end user a modern sleek design, whilst still remaining robust and reliable. The plate depth is never compromised on products throughout the range even within flex outlet, power and grid solutions, allowing for a clean consistent professional finish.

TECHNICAL SPECIFICATION

Product Standard	BS EN 60669-1
Voltage	250V AC 50Hz
Current Rating	20AX (Fully Rated for Fluorescent loads) 20A (Retractive) Suitable for 250 watt LED loads
Terminal Capacity: L & N	3 x 2.5mm ² , 2 x 4mm ² , 1 x 6mm ²
Terminal Capacity: E	N/A
Cable Strip Length	10mm
IP Rating	IP2X
LRV Rating	White LRV 74 Metalclad 34 Grey LRV 8 Red LRV 14
Other Marking Standards	CE

PRODUCT SPECIFICATION

BS Torque Requirement L & N	0.8Nm
Recommended Back Box Size	25mm (35mm for 9G and above)
Minimum Back Box Size	25mm
Rocker Material	Urea Formaldehyde with Inherent Antimicrobial Properties (Rocker) Thermoplastic (Base)
Lighting Compatibility	Tungsten Filament Lamps Fluorescent Lamps GU10 or similar hispot Halogen bulbs LED
Contact Gap	3mm
Terminal Screwdriver Type	Slotted
Accessories	Grid Plates See page 32 Grid Boxes See page 42 Grid Yokes CR2912 1 & 2G, CR2934 3 & 4G, CR2906 6G Spare Secret Key CR2940

RANGE PORTFOLIO

Type	Options
Switch Types	Single Pole, Double Pole Retractive, Intermediate, Secret key switch Push to Make, Push to Break
Ways	1 & 2 way, 2 way and off
Rockers	Standard White Rockers Standard Grey Rockers Standard Red Rockers Standard Printed Rockers Standard rockers with LED
Printing	Indelible laser marking Tampo Print

INSTALLER AND USER INTERFACE FEATURES

Secure and flexible grid system

Grid switches are screw mounted into multifunctional grid frames. When rotated 180 degrees the frame changes to an alternative 'gang' solution. For example when the 1 gang grid frame is rotated 180 degrees, it can then be used as a 2 gang. The screw connection ensures the switches are firmly secured within the yoke and do not push out especially in larger grid installations 8 gang and upwards

Upward facing terminals

All terminals are upward facing allowing the installer a quicker and safer installation. As well as the easier positioning of cables, the product does not need to be twisted or turned to access some terminals, reducing the risk of loosening already terminated connections

Customisation

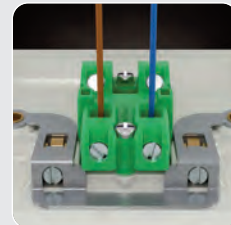
A custom service is available to meet all your printing needs, from basic printing such as 'Dishwasher' to more specific requirements such as company Logos or location references. Printing is undertaken using state of the art laser print technology for a totally indelible marking solution

Additional Installation and product Benefits

- Full contact safety cable clamp
- Integrated LED
- Terminals are supplied open and are captive
- All 1 Gang products will fit into a one gang back box without having to bend back the north and south lugs
- Terminal screwdriver lead in
- Uniform screwhead sizes
- Strip Length Indicator
- Maximised wiring space

Minimum product performance

- 40,000 switch operations
- 850/650°C Glow wire



In line upward facing terminals



PRODUCT DESCRIPTION

The Instinct monoblock data solutions offer a comprehensive range of outlets for all types of commercial installations. The range includes the typical, isolated, non isolated TV, Satellite, Telephone solutions as well as more complex requirements such as Quadplexer, TV and data combination plates.

PLATE STYLE

The slim stylish plate style gives the installer and end user a modern sleek design, whilst still remaining robust and reliable. The plate depth is never compromised on products throughout the range even within flex outlet, power and grid solutions, allowing for a clean consistent professional finish. Rockers remain white to give a clean aesthetic

TECHNICAL SPECIFICATION

Product Standard	BS 5733 BS EN 60728-11 IEC61169-2 ANSI/SCTE 02 BS 6312 BS EN 41003 73/23/EEC UL1863
Other Marking Standards	CE
LRV Rating	White LRV 74

PRODUCT SPECIFICATION

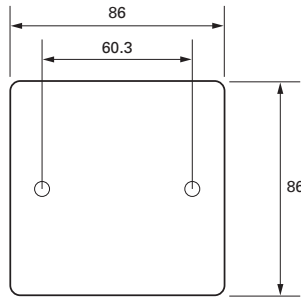
Recommended Back Box Size	25mm
Minimum Back Box Size	25mm
Plate Material	Urea Formaldehyde with Inherent Antimicrobial Properties

BACK BOX PART REFERENCES

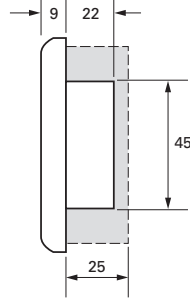
	Flush	Surface	Dry Lining Flush
1 Gang 25mm	SB655	9047	SB619
2 Gang 25mm	SB665	9040	SB629

DIMENSIONS (mm)

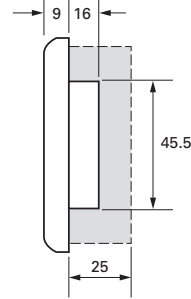
1-2 Gang



Multiplex Solutions



Standard TV & Satellite



RANGE PORTFOLIO

Type	Options
Plate	White Moulded White Moulded Printed
Printing	Indelible laser marking Tampo Print
Product	Isolated and non Isolated Male/FemaleTV Satellite Telephone Master and Secondary CAT 5,6 and 7 USB 2.0 and 3.0 HDMI Diplexer Triplexer Quadplexer Quadplexer with Telephone Quadplexer with Telephone and Data
Plate Types	1 Gang 2 Gang

INSTALLER AND USER INTERFACE FEATURES

Customisation

A custom service is available to meet all your printing needs, from basic printing such as 'Dishwasher' to more specific requirements such as company Logos or location references. Printing is undertaken using state of the art laser print technology for a totally indelible marking solution

Additional Installation and product Benefits

- Consistent aesthetic and depth

Minimum product performance

- 850/650°C Glow wire

INSTINCT ANGLED KEYSTONE DATA SOLUTION



PRODUCT DESCRIPTION

The Instinct keystone plates are available from 1 to 4 gang and offer a flexible data solution. The plates are compatible with keystone modules that are also supplied within the Instinct range, these include RJ45 up to Cat 7, USB upto 3.0, HDMI, TV, Telephone and Satellite. The keystone plates have an angled connection point which reduces the risk of cable damage.

PLATE STYLE

The slim stylish plate style gives the installer and end user a modern sleek design, whilst still remaining robust and reliable. The plate depth is never compromised on products throughout the range even within flex outlet, power and grid solutions, allowing for a clean consistent professional finish. Rockers remain white to give a clean aesthetic.

TECHNICAL SPECIFICATION

Product Standard	BS 5733
Other Marking Standards	CE
LRV Rating	White LRV 74

PRODUCT SPECIFICATION

Recommended Back Box Size	35mm
Minimum Back Box Size	25mm
Plate Material	Urea Formaldehyde with Inherent Antimicrobial Properties

ACCESSORIES

Keystone Modules

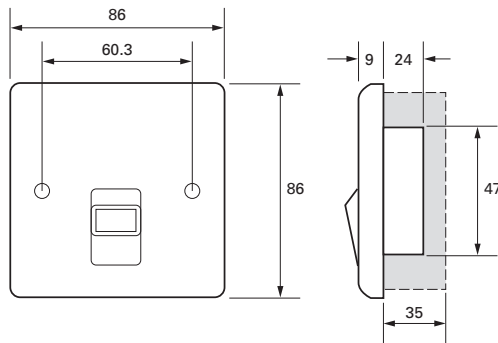
CR1315	Telephone Master Module
CR1316	Telephone Secondary Module
CR1295	RJ45 Cat 5e Module
CR1296	RJ45 Cat 6 Module
CR1297	RJ45 Cat 6A Module
CR1298	RJ45 Cat 7 Module
CR1299	RJ11 Module
CR1300	HDMI Module
CR1301	USB Type 2.0 Connector Type A Module
CR1302	USB Type 3.0 Connector Type A Module
CR1310	F - Type Module
CR1311	Isolated Coaxial Module
CR1312	Direct Connection Female Coaxial Module
CR1313	Direct Connection Male Coaxial Module

BACK BOX PART REFERENCES

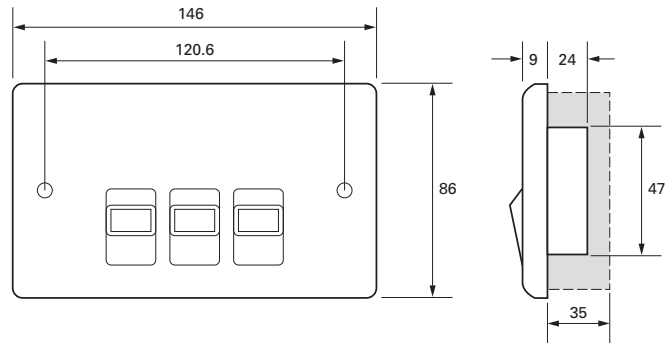
	Flush	Surface	Dry Lining Flush
1 Gang 25mm	SB655	9047	SB619
2 Gang 25mm	SB665	9040	SB629
1 Gang 35mm	SB615	9047	SB619
2 Gang 35mm	SB625	9040	SB629

DIMENSIONS (mm)

1-2 Gang



3-4 Gang



RANGE PORTFOLIO

Type	Options
Plate	White Moulded Grid Module
Printing	Indelible laser marking Tamper Print
Plate Types	1 Gang 2 Gang 3 Gang 4 Gang

INSTALLER AND USER INTERFACE FEATURES

Angled Keystone

The angled push fit fixing for the keystone modules allows the cable radius to be significantly reduced. This not only decreases the damage to the cable from reduced bend radius but also improves the aesthetic appearance of the installation

Customisation

A custom service is available to meet all your printing needs, from basic printing such as 'Dishwasher' to more specific requirements such as company Logos or location references. Printing is undertaken using state of the art laser print technology for a totally indelible marking

Additional Installation and product Benefits

- Consistent aesthetic and depth

Minimum product performance

- 850/650°C Glow wire



Angled keystone for improved cabling



Grid keystone solution

CAPITAL 10AX PLATE SWITCHES



PRODUCT DESCRIPTION

Capital plate switches are fully rated to 10AX for fluorescent or inductive loads. The plate switches are available from 1 to 6 gang, in both one and two way options. In addition Retractive, Architrave, Intermediate and Double Pole products are also available to complete the range. A print service is also available to customer requirements

TECHNICAL SPECIFICATION

Product Standard	BS EN 60669-1
Voltage	250V AC 50Hz
Current Rating	10AX (Fully Rated for Fluorescent loads) 10A (Retractive) Suitable for 100 watt LED loads
Terminal Capacity: L & N	4 x 1.0mm ² , 3 x 1.5mm ² , 1 x 2.5mm ²
Terminal Capacity: E	n/a
IP Rating	IP2X
LRV Rating	White LRV 74
Other Marking Standards	CE

PRODUCT SPECIFICATION

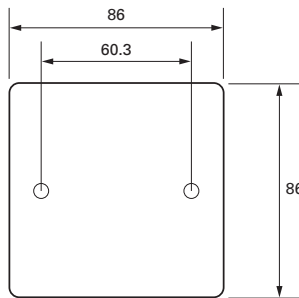
BS Torque Requirement L & N	0.5Nm
Recommended Back Box Size	16mm (1 & 2 G), 25mm (3,4 & 6 G)
Minimum Back Box Size	16mm (1 & 2 G), 25mm (3,4 & 6 G)
Plate Material	Urea Formaldehyde with inherent antimicrobial properties (Plate) Thermoplastic (Base and Rockers)
Lighting Compatibility	Tungsten Filament Lamps Fluorescent Lamps GU10 or similar hispot Halogen bulbs LED
Contact Gap	3mm
Terminal Screwdriver Type	Slotted

BACK BOX PART REFERENCES

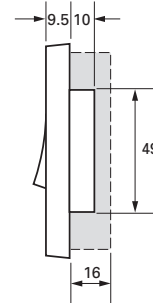
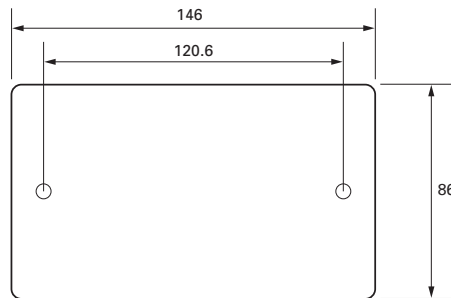
	Flush	Surface	Dry Lining Flush
1-2 Gang	SB623	9043	SB619
3 Gang	SB655	9047	SB619
4-6 Gang	SB665	9048	SB629

DIMENSIONS (mm)

1-3 Gang



4-6 Gang



RANGE PORTFOLIO

Type	Options
Plate	White Moulded Printed Plates
Printing	Tampo Print
Rockers	Standard Rockers Large Rockers
Plate Types	1 Gang, 2 Gang and Architrave
Switch Variants	1,2,3,4 and 6 Gang
Switch Type	Single Pole, Double Pole, Intermediate and Retractive
Ways	1 and 2 way

INSTALLER AND USER INTERFACE FEATURES

Customisation

A custom service is available to meet printing needs

Minimum product performance

- 40,000 switch operations
- 850/650°C Glow wire

CAPITAL DIMMER SWITCHES



PRODUCT DESCRIPTION

Capital dimming solutions cater for dimming capabilities from 5 to 400 watts. The dimmers are all push on and off operated and cover all major lighting types including tungsten, fluorescent, GU10 and LED. The LED dimmer features intelligent technology allowing it to optimise its load even when differing lamp brands or drivers are on one circuit. A print service is also available to customers requirements.

TECHNICAL SPECIFICATION

Product Standard	BS EN 60669-2-1
Voltage	250V AC 50Hz
Current Rating	5 - 100 Watt LED 60 - 250 Watt 60 - 400 Watt
Terminal Capacity: L & N	2 x 1.00mm ² , 1 x 2.5mm ²
Terminal Capacity: E	n/a
IP Rating	IP2X
LRV Rating	White LRV 74
Other Marking Standards	CE

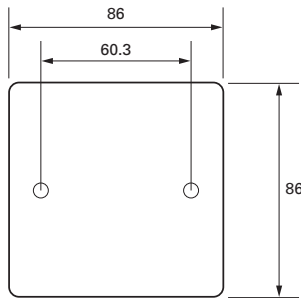
PRODUCT SPECIFICATION

BS Torque Requirement L & N	0.5Nm
Recommended Back Box Size	35mm (5 - 400W)
Minimum Back Box Size	35mm (5 - 400W)
Plate Material	Urea Formaldehyde (Plate and Dimmer knob) with inherent Antimicrobial properties
Lighting Compatibility	Tungsten Filament Lamps Fluorescent Lamps GU10 or similar hispot Halogen bulbs LED
Terminal Screwdriver Type	Slotted

BACK BOX PART REFERENCES

	Flush	Surface	Dry Lining Flush
5 - 400W	SB615	9041	SB619

1-2 Gang



RANGE PORTFOLIO

Type	Options
Plate	White Moulded
Dimmer Knobs	White Push On and Off
Dimming Ratings	5 - 100 Watt LED 40 - 250 Watt 60 - 400 Watt
Dimmer Variants	1 and 2 Gang
Switch Type	Push On/Off (rotate to dim)
Ways	2 Way

INSTALLER AND USER INTERFACE FEATURES

Intelligent LED Dimming

All LED dimmers have an intelligent capability to optimise their performance based on different LED loads. A learning cycle is initiated by a simple set of actions to the installed dimmer. The dimmer then processes the current lighting load and driver types and optimises itself so it will efficiently work with that load.

This optimisation ensures no flickering or lack of compatibility with lamp types, including differing LED types/drives on the same circuit.

In Line and upward facing terminals (Excluding 2 Gang)

All terminals are both inline and upward facing allowing the installer a quicker and safer installation. As well as the easier positioning of cables, the product does not need to be twisted or turned to access some terminals, reducing the risk of loosening already terminated connections.

Customisation

A custom service is available to meet printing needs

Minimum product performance

- 40,000 switch operations
- 850/650°C Glow wire

CAPITAL 6 AMP TRIPLE POLE ISOLATOR



PRODUCT DESCRIPTION

Capital isolator switches are fully rated to 6A and are triple pole. The plate switches are available with a variety of product markings. A print service is also available for customers requirements

TECHNICAL SPECIFICATION

Product Standard	BS EN 60669-2-4
Voltage	250V AC 50Hz
Current Rating	6A
Terminal Capacity: L & N	4 x 1.0mm ² , 3 x 1.5mm ² , 1 x 2.5mm ²
Terminal Capacity: E	4 x 1.0mm ² , 3 x 1.5mm ² , 1 x 2.5mm ²
IP Rating	IP2X
LRV Rating	White LRV 74
Other Marking Standards	CE

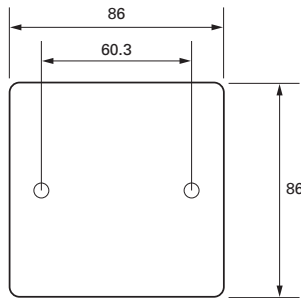
PRODUCT SPECIFICATION

BS Torque Requirement L & N	0.5Nm
Recommended Back Box Size	25mm
Minimum Back Box Size	25mm
Plate Material	Urea Formaldehyde (Plate) with Inherent Antimicrobial Properties
	Thermoplastic (Base and Rockers)
Contact Gap	3mm
Terminal Screwdriver Type	Slotted

BACK BOX PART REFERENCES

	Flush	Surface	Dry Lining Flush
25mm	SB655	9047	SB619

CAPITAL 6 AMP TRIPLE POLE ISOLATOR



RANGE PORTFOLIO

Type	Options
Plate	White Moulded with Isolator Symbol White Moulded with Fan and Isolator Symbol
Printing	Tampo Print
Rockers	Large Rockers
Plate Types	1 Gang
Switch Type	Triple Pole

INSTALLER AND USER INTERFACE FEATURES

Minimum product performance

- 40,000 switch operations
- 850/650°C Glow wire

CAPITAL 20 AMP DOUBLE POLE CONTROL SWITCHES



PRODUCT DESCRIPTION

Capital plate switches are all double pole and fully rated to 20 Amps. Plate styles include flex and non flex variants as well as indicator options. A vast variety of printed variants are available as standard as well as the capability to produce to customer requirements.

TECHNICAL SPECIFICATION

Product Standard	BS EN 60669-1
Voltage	250V AC 50Hz
Current Rating	20A
Terminal Capacity: L & N	3 x 2.5mm ² , 2 x 4mm ² , 1 x 6mm ²
Terminal Capacity: E	3 x 2.5mm ² , 2 x 4mm ² , 1 x 6mm ²
Flex Outlet Capacity	1 x 2.5mm ²
IP Rating	IP2X
LRV Rating	White LRV 74
Other Marking Standards	CE

PRODUCT SPECIFICATION

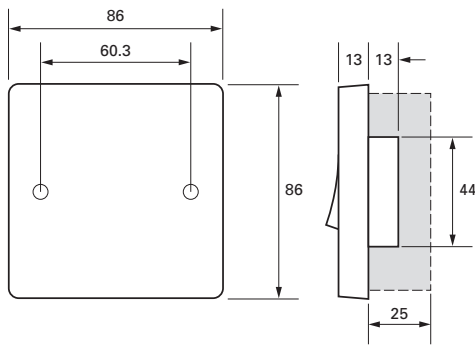
BS Torque Requirement L & N	0.8Nm
Recommended Back Box Size	25mm
Minimum Back Box Size	25mm
Plate Material	Urea Formaldehyde (Plate) with Inherent Antimicrobial Properties
	Thermoplastic (Base and Rockers)
Contact Gap	3mm
Terminal Screwdriver Type	Slotted

BACK BOX PART REFERENCES

	Flush	Surface	Dry Lining Flush
25mm	SB655	9047	SB619

DIMENSIONS (mm)

1 Gang



RANGE PORTFOLIO

Type	Options
Plate	White Moulded Printed Plates
Printing	Tampo Print
Rockers	Standard White Rockers Standard White Rocker with Neon
Plate Types	1 Gang Standard with flex outlet
Switch Type	Double Pole

INSTALLER AND USER INTERFACE FEATURES

Customisation

A custom service is available to meet your printing needs,

Minimum product performance

- 10,000 switch operations
- 850/650°C Glow wire

CAPITAL 45 AMP DOUBLE POLE CONTROL SWITCHES



PRODUCT DESCRIPTION

Capital plate switches are all double pole, available in 1 and 2 gang and fully rated to 45 Amps.

A print service is also available to customers requirements. Printed plates are already available as standard items such as 'Cooker' and 'Shower'.

TECHNICAL SPECIFICATION

Product Standard	BS EN 60669-1
Voltage	250V AC 50Hz
Current Rating	45A
Terminal Capacity: L & N	10mm ² to 16mm ²
Terminal Capacity: E	10mm ² to 16mm ²
IP Rating	IP2X
LRV Rating	White LRV 74
Other Marking Standards	CE

PRODUCT SPECIFICATION

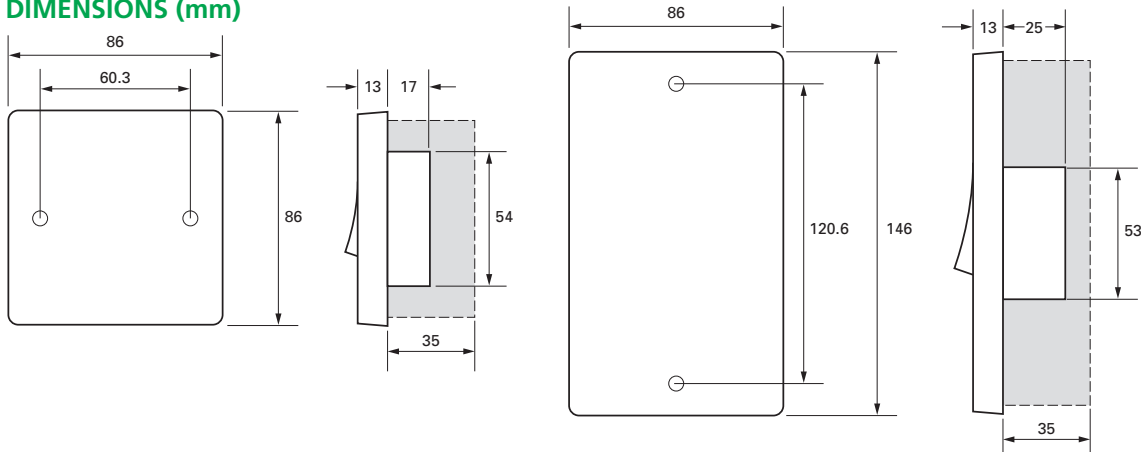
BS Torque Requirement: L & N	2.5Nm
BS Torque Requirement: E	1.2Nm
Recommended Back Box Size	47mm
Back Box Minimum depth	35mm
Plate Material	Urea Formaldehyde (Plate) with Inherent Antimicrobial Properties
	Thermoplastic (Base and Rocker)
Contact Gap	3mm
Terminal Screwdriver Type	Slotted

BACK BOX PART REFERENCES

	Flush	Surface	Dry Lining Flush
1 Gang 47mm	SB618	9041	SB632
2 Gang 47mm	SB628	9040	SB631

CAPITAL 45 AMP DOUBLE POLE CONTROL SWITCHES

DIMENSIONS (mm)



RANGE PORTFOLIO

Type	Options
Plate	White Moulded Printed Plates
Printing	Tampo Print
Rockers	Standard White Rockers Standard White Rocker with Neon
Plate Types	1 Gang, 2 Gang
Switch Type	Double Pole

INSTALLER AND USER INTERFACE FEATURES

Customisation

A custom service is available to meet your printing needs

Minimum product performance

- 10,000 switch operations
- 850/650°C Glow wire

CAPITAL 45 AMP COOKER CONTROL UNITS



PRODUCT DESCRIPTION

Capital cooker control unit switches and socket are both double pole and fully rated to 45 Amps and 13 Amps respectively. A print service is also available to customers requirements

TECHNICAL SPECIFICATION

Product Standard	BS 4177
Voltage	250V AC 50Hz
Current Rating	45A Switch, 13A Socket
Terminal Capacity: L & N	2 x 6mm ² , 1 x 10mm ² , 1 x 16mm ²
Terminal Capacity: E	2 x 6mm ² , 1 x 10mm ² , 1 x 16mm ²
Cable Strip Length	25mm L&N, 10mm Earth
IP Rating	IP2X
Ambient Temperature	-5 to 40° C
LRV Rating	White LRV 74
Other Marking Standards	CE

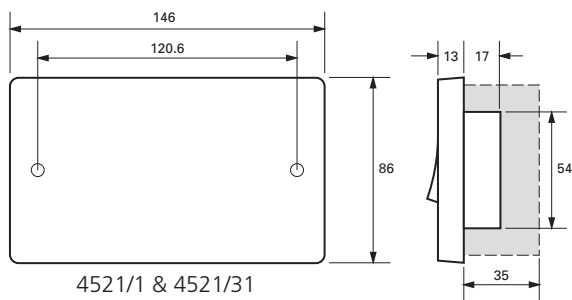
PRODUCT SPECIFICATION

BS Torque Requirement: L & N	2.5Nm
BS Torque Requirement: E	1.2Nm
Recommended Back Box Size	47mm
Back Box Minimum Depth	35mm
Plate Material	Urea Formaldehyde (Plate) with Inherent Antimicrobial Properties Thermoplastic (Base and Rockers)
Plug Type	UK 3 pin
Contact Gap	3mm
Terminal Screwdriver Type	Slotted

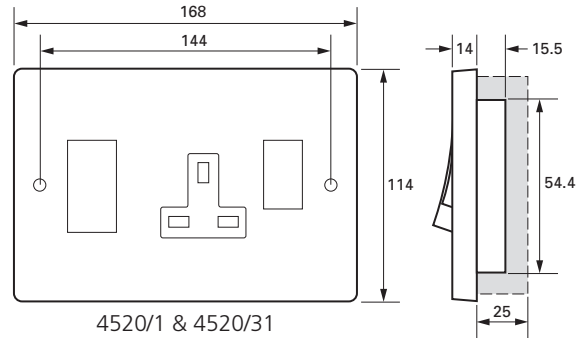
BACK BOX PART REFERENCES

	Flush	Surface	Dry Lining Flush
47mm	SB628	9054	SB631

DIMENSIONS (mm)



4521/1 & 4521/31



4520/1 & 4520/31

RANGE PORTFOLIO

Type	Options
Plate	White Moulded Printed Plates
Printing	Indelible laser marking Tampo Print
Rockers	Standard White Rockers Standard White Rocker with Neon
Plate Types	2 Gang
Switch Type	13A Double Pole 45A Double Pole

INSTALLER AND USER INTERFACE FEATURES

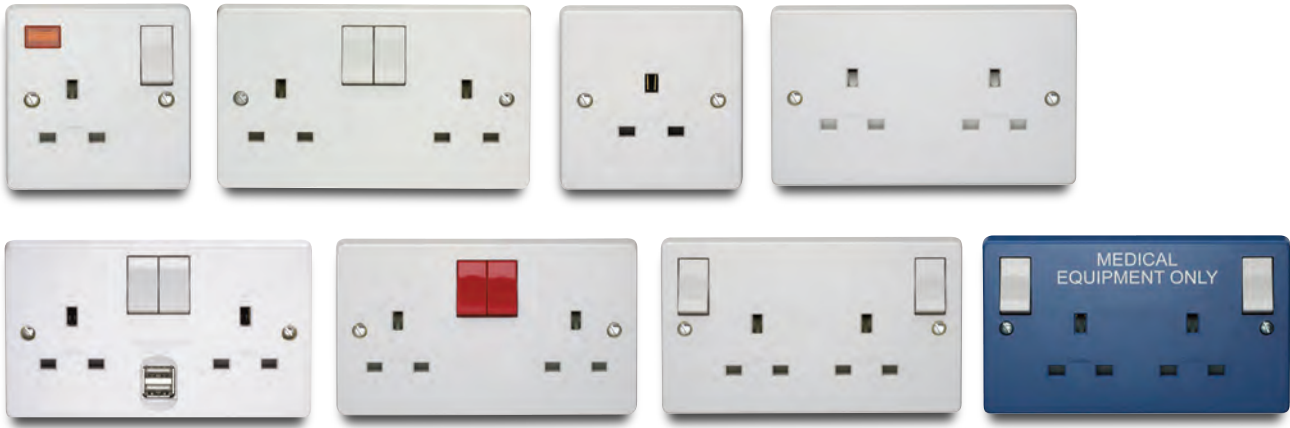
Customisation

A custom service is available to meet your printing needs

Minimum product performance

- 10,000 switch operations
- 30,000 socket switch operations
- 30,000 socket insertions
- 850/650°C Glow wire

CAPITAL 13 AMP SOCKET OUTLETS



PRODUCT DESCRIPTION

Capital sockets are available switched and unswitched in single pole, double pole and clean earth versions. Medical blue sockets and red rocker variants are also available.

To expand the portfolio further these options are also available as Inboard and Outboard switched solutions with and without neon indicators.

A print service is also available to customers requirements

TECHNICAL SPECIFICATION

Product Standard	BS 1363-2
Voltage	250V AC 50Hz
Current Rating	13A
USB Output	2.1 Amps Shared
Terminal Capacity: L & N	3 x 1.5mm ² , 3 x 2.5mm ² , 2 x 4mm ²
Terminal Capacity: E	3 x 1.5mm ² , 3 x 2.5mm ² , 2 x 4mm ²
IP Rating	IP2X
Ambient Temperature	-5 to 40° C
LRV Rating	White LRV 74 Red LRV 14 Blue LRV 13
Other Marking Standards	CE

PRODUCT SPECIFICATION

BS Torque Requirement: L, N & E	1.2Nm
Recommended Back Box Size	25mm
Plate Material	Urea Formaldehyde (Plate) with Inherent Antimicrobial Properties Thermoplastic (Base & Rocker)
Contact Gap	3mm
Plug Type	UK 3 Pin
Terminal Screwdriver Type	Slotted

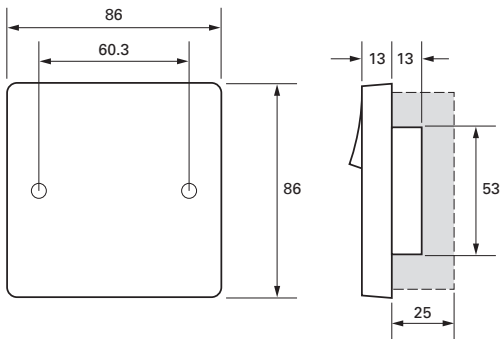
BACK BOX PART REFERENCES

	Flush	Surface	Dry Lining Flush
1 Gang 25mm	SB655	9047	SB619
2 Gang 25mm	SB665	9048	SB629
2 Gang 35mm (USB Socket)	SB625	9040	SB629

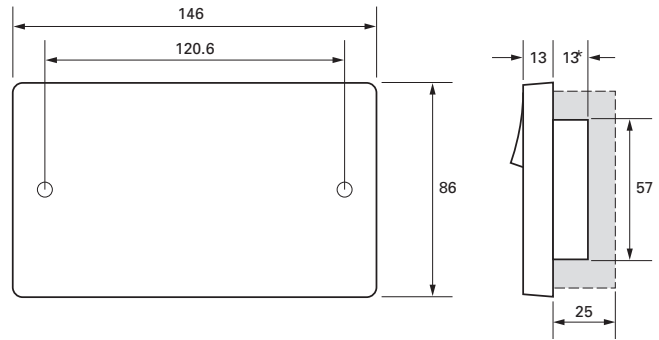
CAPITAL 13 AMP SOCKET OUTLETS

DIMENSIONS (mm)

1 Gang



2 Gang



RANGE PORTFOLIO

Type	Options
Plate	White Moulded Blue Moulded
Printing	Tampo Print
Rockers	Standard Inboard and Outboard White Rocker Standard Inboard and Outboard Red Rockers
Plate Types	1 Gang Standard 2 Gang Standard
Plug Type	13A UK Standard
Switch Type	Single Pole, Double Pole, Clean Earth

Minimum product performance

- 10,000 switch operations
- 30,000 socket insertions
- 30,000 socket switch operations
- 850/650°C Glow wire

CAPITAL 3 AND 13 AMP FUSED CONNECTION UNITS



PRODUCT DESCRIPTION

Capital fused connection units are available as double pole switched and unswitched. For commercial solutions a range of fully red and red rocker only variants are available.

Installations that require a flex outlet can simply remove a pre marked knockout on the base of the connection unit, all with and without Neon indicators.

Finally a vast variety of pre-printed variants are available as standard as well as the capability to produce to customer requirements.

TECHNICAL SPECIFICATION

Product Standard	BS 1363-4
Voltage	250V AC 50Hz
Current Rating	13A
Terminal Capacity: L & N	3 x 1.5mm ² , 3 x 2.5mm ² , 2 x 4mm ²
Terminal Capacity: E	3 x 1.5mm ² , 3 x 2.5mm ² , 2 x 4mm ²
Flex Outlet Capacity	1 x 2.5mm ²
IP Rating	IP2X
Ambient Temperature	-5 to 40° C
LRV Rating	White LRV 74 Red LRV 14
Other Marking Standards	CE

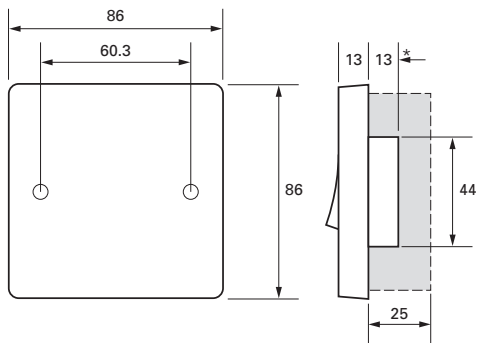
PRODUCT SPECIFICATION

BS Torque Requirement: L & N	1.2Nm
BS Torque Requirement: E	0.8Nm
Minimum Back Box Size	25mm
Plate Material	Urea Formaldehyde (Plate) with Inherent Antimicrobial Properties Thermoplastic (Base and Rockers)
Contact Gap	3mm
Fuse	3A & 13A BS1362
Terminal Screwdriver Type	Slotted

BACK BOX PART REFERENCES

	Flush	Surface	Dry Lining Flush
1 Gang 25mm	SB655	9047	SB619

DIMENSIONS (mm)



RANGE PORTFOLIO

Type	Options
Plate	White Moulded Red Moulded Printed Plates
Printing	Tampo Print
Rockers	Standard White Rocker Standard White Rocker with Neon Standard Red Rocker
Plate Types	1 Gang Standard with integral Flex outlet
Fuse Draw	Close without screw
Switch Type	Double Pole

INSTALLER AND USER INTERFACE FEATURES

Customisation

A custom service is available to meet your printing needs

Minimum product performance

- 30,000 switch operations
- 850/650°C Glow wire

CAPITAL DUAL VOLTAGE SHAVER SOCKET



PRODUCT DESCRIPTION

The Capital shaver socket is dual voltage for 230V and 115V output.

TECHNICAL SPECIFICATION

Product Standard	BS EN 61558-2-5
Voltage Input	250V AC 50Hz
Voltage Output	230V and 115V
Current	20VA
Terminal Capacity: L & N	4 x 1.0mm ² , 3 x 1.5mm ²
Terminal Capacity: E	4 x 1.0mm ² , 3 x 1.5mm ²
IP Rating	IP2I
LRV Rating	White LRV 74
Other Marking Standards	CE

PRODUCT SPECIFICATION

BS Torque Requirements L, N & E	0.6Nm
Recommended Back Box Size	47mm
Minimum Back Box	47mm
Plate Material	Urea Formaldehyde with Inherent Antimicrobial Properties
	Thermoplastic (Base and Rocker)
Terminal Screwdriver Type	Slotted

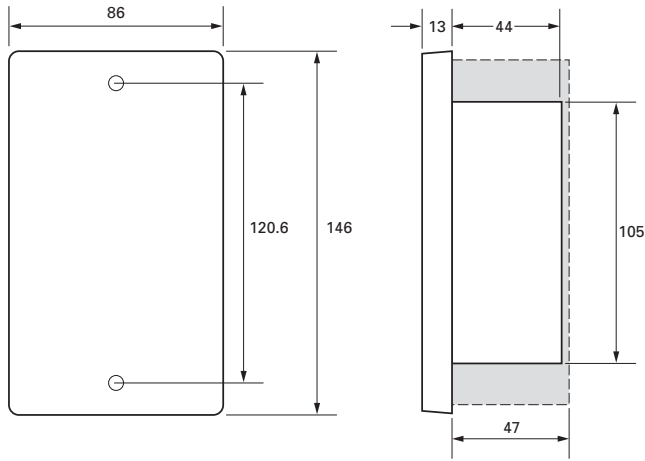
BACK BOX PART REFERENCES

	Flush	Surface	Dry Lining Flush
47mm	SB628	9053	SB631

CAPITAL DUAL VOLTAGE SHAVER SOCKET

DIMENSIONS (mm)

2 Gang



RANGE PORTFOLIO

Type	Options
Plate	White Moulded
Printing	Tampo Print
Plate Types	2 Gang

INSTALLER AND USER INTERFACE FEATURES

Customisation

A custom service is available to meet your printing needs

Dual Voltage

The unit has a single socket with a rocker switch that changes the output between 240V and 115V

Minimum product performance

- 850/650°C Glow wire

CAPITAL/ROCKERGRID 10 AMP & 10AX GRID SWITCHES



PRODUCT DESCRIPTION

Capital grid switches are fully rated to 10AX for fluorescent or inductive loads. For commercial solutions a full comprehensive range of switches in the range that include red rocker, retractive and intermediate versions. Grid plate variations cater from 1 to 24 Gang. A vast variety of pre-printed variants are available as standard as well as the capability to produce to customer requirements.

TECHNICAL SPECIFICATION

Product Standard	BS EN 60669-1
Voltage	250V AC 50Hz
Current Rating	10AX (Fully Rated for Fluorescent loads) 10A (Retractive)
	Suitable for 100 watt LED loads
Terminal Capacity: L & N	4 x 1.0mm ² , 3 x 1.5mm ² , 1 x 2.5mm ²
Terminal Capacity: E	N/A
IP Rating	IP2X
LRV Rating	White LRV 74 Metalclad 34 Red LRV 14
Other Marking Standards	CE

PRODUCT SPECIFICATION

BS Torque Requirement L & N	0.5Nm
Recommended Back Box Size	25mm
Minimum Back Box Size	25mm
Rocker Material	Thermoplastic
Lighting Compatibility	Tungsten Filament Lamps Fluorescent Lamps GU10 or similar hispot Halogen bulbs LED
Contact Gap	3mm
Terminal Screwdriver Type	Slotted

RANGE PORTFOLIO

Type	Options
Switch Types	Single Pole, Retractive, Intermediate
Ways	1 and 2 way
Rockers	Standard White Rockers Standard Red Rockers Standard Printed Rockers
Printing	Tampo Print

INSTALLER AND USER INTERFACE FEATURES

Customisation

A custom service is available to meet your printing needs,

Minimum product performance

- 40,000 switch operations
- 850/650°C Glow wire

CAPITAL/ROCKERGRID 20 AMP & 20AX GRID SWITCHES



PRODUCT DESCRIPTION

Capital grid switches are fully rated to 20 Amp and 20AX for fluorescent or inductive loads. For commercial solutions a full comprehensive range of switches in the range that include red rocker, retractive, 2 way and off, push to make or break, key switches and intermediate versions.

Grid plate variations cater from 1 to 24 Gang plate sizes. A vast variety of pre-printed variants are available as standard as well as the capability to produce to customer requirements

TECHNICAL SPECIFICATION

Product Standard	BS EN 60669-1
Voltage	250V AC 50Hz
Current Rating	20AX (Fully Rated for Fluorescent loads) 20A (Retractive) Suitable for 250 watt LED loads
Terminal Capacity: L & N	3 x 2.5mm ² , 2 x 4mm ² , 1 x 6mm ²
Terminal Capacity: E	N/A
IP Rating	IP2X
LRV Rating	White LRV 74 Metalclad 34 Grey LRV 8 Red LRV 14
Other Marking Standards	CE

PRODUCT SPECIFICATION

BS Torque Requirement L & N	0.8Nm
Recommended Back Box Size	25mm (35mm for 9G and above)
Minimum Back Box Size	25mm
Rocker Material	Thermoplastic
Lighting Compatibility	Tungsten Filament Lamps Fluorescent Lamps GU10 or similar hispot Halogen bulbs LED
Contact Gap	3mm
Terminal Screwdriver Type	Slotted

RANGE PORTFOLIO

Type	Options
Switch Types	Single Pole, Double Pole Retractive, Intermediate, Secret key switch Push to Make, Push to Break
Ways	1 & 2 way, 2 way and off
Rockers	Standard White Rockers Standard Red Rockers Standard Printed Rockers
Printing	Tampo Print

INSTALLER AND USER INTERFACE FEATURES

Customisation

A custom service is available to meet your printing needs,

Minimum product performance

- 40,000 switch operations
- 850/650°C Glow wire



PRODUCT DESCRIPTION

The Capital monoblock data solutions offer a comprehensive range of outlets for all types of residential and commercial installations. The range includes, isolated, non isolated TV, Satellite, Telephone solutions

TECHNICAL SPECIFICATION

Product Standard BS 5733
 Other Marking Standards CE
 LRV Rating White LRV 74

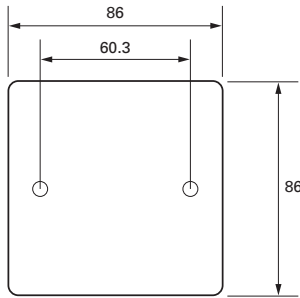
PRODUCT SPECIFICATION

Recommended Back Box Size 25mm
 Minimum Back Box Size 25mm
 Plate Material Urea Formaldehyde with Inherent Antimicrobial Properties

BACK BOX PART REFERENCES

	Flush	Surface	Dry Lining Flush
1 Gang 25mm	SB655	9047	SB619
2 Gang 25mm	SB665	9040	SB629

1-2 Gang



RANGE PORTFOLIO

Type	Options
Plate	White Moulded White Moulded Printed
Printing	Tampo Print
Product	Isolated and non Isolated Male/FemaleTV Telephone Master and Secondary CAT 5,6 and 7 RJ11
Plate Types	1 Gang 2 Gang

INSTALLER AND USER INTERFACE FEATURES

Customisation

A custom service is available to meet your printing needs

Additional Installation and product Benefits

- Consistent aesthetic and depth

Minimum product performance

- 850/650°C Glow wire

DECORATIVE 10AX SWITCHES



PRODUCT DESCRIPTION

Plate switches are fully rated to 10AX for fluorescent or inductive loads. They are available from 1 to 3 gang in one way, two way and intermediate options from 3 decorative ranges complimented by a variety of striking finishes. Other solutions include retractive switching option, compatibility with seeklight, large & wide rockers in a corinthian style plate and custom plate marking options through our printing service.

BRITISH STANDARDS

- All Crabtree 10AX plate switches have been tested to BS EN 60669-1 Switches for household and similar fixed-electrical installations

TECHNICAL SPECIFICATION

Product Standard:	BS EN 60669-1
Voltage:	250V AC 50Hz
Current Rating:	10AX (Fully Rated for Fluorescent loads) 10A (Retractive)
	Suitable for 100 watt LED loads
Ambient Temperature:	-5 to 40° C
Installation Altitude:	2000 metres
Other Marking Standards:	CE
Ingress Protection (IP) Rating:	IP4X (unless stated)
Recommended Torque Setting:	0.5Nm L,N, E Terminals
Lighting Compatibility:	Tungsten Filament Lamps Fluorescent Lamps GU10 or similar hispot Halogen bulbs LED
Terminal Capacity L & N:	4 x 1.0mm ² , 3 x 1.5mm ² , 1 x 2.5mm ²
Terminal Capacity E:	4 x 1.0mm ² , 3 x 1.5mm ² , 1 x 2.5mm ²

RANGE PORTFOLIO

Metal Plate

Plate Finishes:	Satin Chrome, Highly Polished Chrome, Bronze, Polished Brass, Stainless Steel & Polished Stainless Steel.
Rockers:	Standard, Large and Wide style with Black, White, Red and matching metal finish.
Plate Types:	1 Gang
Switch Variants:	1, 2 & 3 Gang
Switch Type:	Single Pole, Intermediate and Retractive
Ways:	1 and 2 way

Platinum Low Profile

Plate Finishes:	Satin Chrome, Highly Polished Chrome, Polished Brass, Black Nickel & White Moulded with matching rockers
Rockers:	Concave with labyrinth switch design and matcing finish.
Plate Types:	1 Gang slim screwless low profile metal plate
Switch Variants:	1, 2 & 3 Gang
Switch Type:	Single Pole, Intermediate and Retractive
Ways:	1 and 2 way

Platinum Flat Plate

Plate Finishes:	Polished Brass, Stainless Steel, Polished Stainless Steel
Rockers:	Concave with labyrinth switch design and matching finish.
Plate Types:	1 Gang slim screwed flat metal plate
Switch Variants:	1, 2 & 3 Gang
Switch Type:	Single Pole, Intermediate and Retractive
Ways:	1 and 2 way

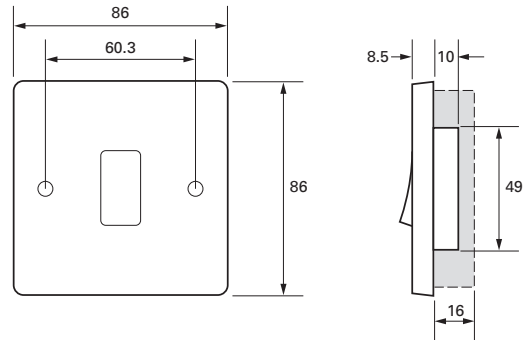
Customised product marking service available

DECORATIVE 10AX SWITCHES

DIMENSIONS (mm)

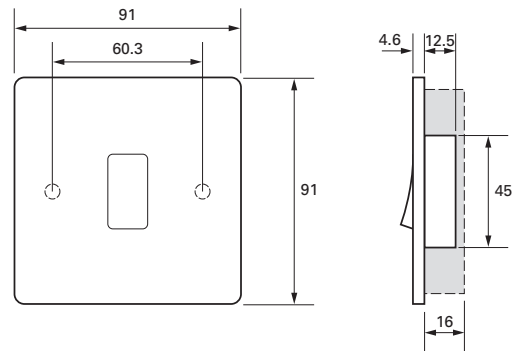
METAL PLATE

Back Box Size: 16mm (Recommended)
 Back Box Ref: SB623 (Flush Metal Box 16mm)
 Back Box Ref: SB619 (Dry Lining Box 35mm)
 Plate Material: Mild Steel, 8.5mm depth
 Rocker Material: Cast Zinc with appropriate metal finish / Polycarbonate
 Interior Material: Polycarbonate
 Processes: Polished / brushed plate, Electrophoresis, Stoved



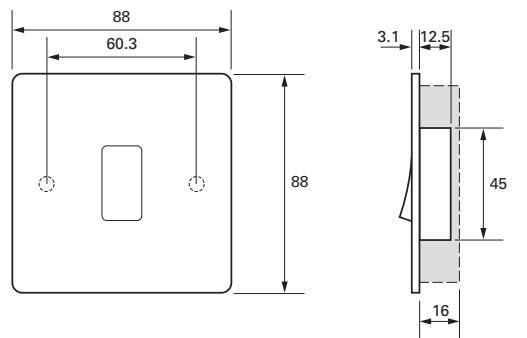
PLATINUM LOW PROFILE WHITE MOULDED PLATE

Back Box Size: 25mm (Recommended)
 Back Box Ref: SB655 (Flush Metal Box 25mm)
 Back Box Ref: SB619 (Dry Lining Box 35mm)
 Plate Material: Polycarbonate, 4.6mm deep
 Rocker Material: Polycarbonate
 Interior Material: Polycarbonate
 Processes: Moulded



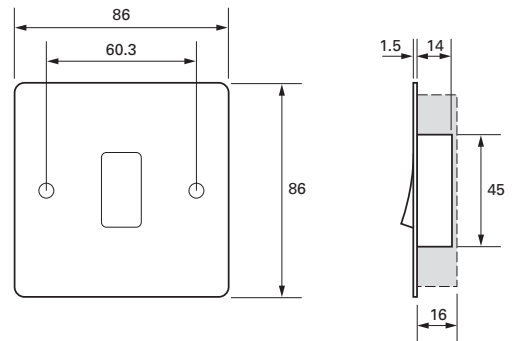
PLATINUM LOW PROFILE METAL PLATE

Back Box Size: 25mm (Recommended)
 Back Box Ref: SB655 (Flush Metal Box 25mm)
 Back Box Ref: SB619 (Dry Lining Box 35mm)
 Plate Material: Mild Steel, 3.1mm depth
 Rocker Material: Cast Zinc with appropriate metal finish
 Interior Material: Polycarbonate
 Processes: Polished / brushed plate, Paint or Electrophoretically Laquered, Stoved



PLATINUM FLAT METAL PLATE

Back Box Size: 25mm (Recommended)
 Back Box Ref: SB655 (Flush Metal Box 25mm)
 Back Box Ref: SB619 (Dry Lining Box 35mm)
 Plate Material: Mild Steel 1.5mm depth
 Rocker Material: Cast Zinc with appropriate metal finish
 Interior Material: Polycarbonate
 Processes: Polished / brushed plate, Electrophoretically Laquered, Stoved



A POINT OF TESTING

When installations incorporating electronic devices of the semi conductor type are being tested, care must always be taken to ensure that they are not subjected to the output voltage of the insulation tester. However, dimmer switches complying with BS 5518 will not be damaged by the application of a normal 500V insulation resistance test. In all other cases where electronic items are fitted, they should be disconnected whilst the insulation of the installation is being tested. A notice, drawing to the attention to the fact that electronic devices are incorporated in the installation, should always be affixed at the intake position. This also applies to any neon indicators fitted.

DECORATIVE DIMMER SWITCHES



PRODUCT DESCRIPTION

All dimmer modules are 2 way push on/off rotate to dim action. They are available in 3 decorative ranges complimented by a variety of striking finishes. They are suitable for use with resistive and inductive loads, total load on a 250W dimmer should be within 40W (minimum) to 250W (maximum) and total load on a 400W dimmer should be within 60W (minimum) to 400W (maximum). Dimmers are suitable for tungsten filament lamps & GU10 or similar hispot halogen bulb, however, for information on LED dimmers please contact Crabtree Technical Services. The maximum rating on a single gang plate with 2 dimmers should be a maximum of 500W.

BRITISH STANDARDS

- All Crabtree dimmer switches have been tested to BS EN 60669-2-1 & BS EN 55014-1 Switches for household and similar fixed-electrical installations
- Particular requirements for electronic switches
- BS EN 55014-1 Electromagnetic compatibility. Requirements for household appliances, electric tools and similar apparatus

TECHNICAL SPECIFICATION

Product Standard:	BS EN 60669-1
Voltage:	250V AC 50Hz
Current Rating:	250W 400W
Ambient Temperature:	-5 to 40° C
Installation Altitude:	2000 metres
Other Marking Standards:	CE
Ingress Protection (IP) Rating:	IP4X (unless stated)
Recommended Torque Setting:	0.5Nm L,N, E Terminals
Lighting Compatibility:	Tungsten Filament Lamps Fluorescent Lamps GU10 or similar hispot Halogen bulbs LED
Terminal Capacity L & N:	4 x 1.0mm ² , 3 x 1.5mm ² , 1 x 2.5mm ²
Terminal Capacity E:	4 x 1.0mm ² , 3 x 1.5mm ² , 1 x 2.5mm ²

RANGE PORTFOLIO

Metal Plate

Plate Finishes:	Satin Chrome, Highly Polished Chrome, Bronze, Polished Brass, Stainless Steel & White Moulded with matching rocker
Rockers:	Push on/off, rotary
Plate Types:	1 Gang
Switch Variants:	1 & 2 Gang
Switch Type:	push on/off, rotate to dim
Ways:	2 Way

Platinum Low Profile

Plate Finishes:	Satin Chrome, Highly Polished Chrome, Polished Brass, Black Nickel & White Moulded
Rockers:	Push on/off, rotary with matching finish
Plate Types:	1 Gang slim screwless low profile metal plate
Switch Variants:	1 & 2 Gang
Switch Type:	push on/off, rotate to dim
Ways:	2 Way

Platinum Flat Plate

Plate Finishes:	Stainless Steel, Polished Stainless Steel, Polished Brass
Rockers:	Push on/off, rotary with matching finish
Plate Types:	1 Gang slim screwed flat metal plate
Switch Variants:	1 & 2 Gang
Switch Type:	push on/off, rotate to dim
Ways:	2 Way

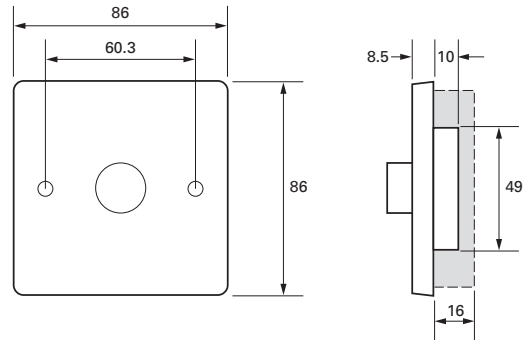
Customised product marking service available

DECORATIVE DIMMER SWITCHES

DIMENSIONS (mm)

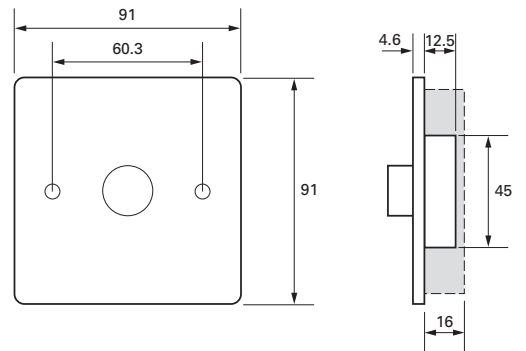
METAL PLATE

Back Box Size: 35mm (Recommended)
 Back Box Ref: SB615 (Flush Metal Box 35mm)
 Back Box Ref: SB619 (Dry Lining Box 35mm)
 Plate Material: mild steel, 8.5mm depth
 Rocker Material: Cast Zinc with appropriate metal finish
 Interior Material: Polycarbonate
 Processes: Polished / brushed plate, Electrophoresis, Stoved



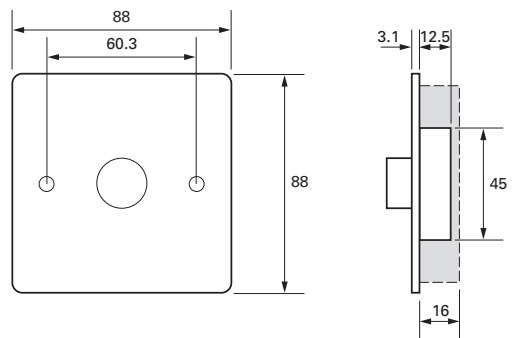
PLATINUM LOW PROFILE WHITE MOULDED PLATE

Back Box Size: 40mm (Recommended)
 Back Box Ref: SB618 (Flush Metal Box 47mm)
 Back Box Ref: SB632 (Dry Lining Box 47mm)
 Plate Material: Polycarbonate, 4.6mm depth
 Rocker Material: Polycarbonate
 Interior Material: Polycarbonate
 Processes: Moulded



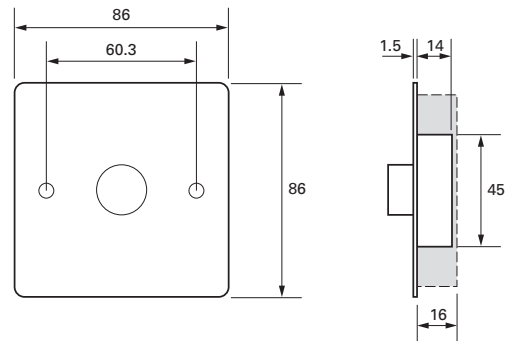
PLATINUM LOW PROFILE METAL PLATE

Back Box Size: 40mm (Recommended)
 Back Box Ref: SB618 (Flush Metal Box 47mm)
 Back Box Ref: SB632 (Dry Lining Box 47mm)
 Plate Material: Mild Steel, 3.1mm depth
 Rocker Material: Cast Zinc with appropriate metal finish
 Interior Material: Polycarbonate
 Processes: Polished / brushed plate, Paint or Electrochemically Laquered, Stoved



PLATINUM FLAT METAL PLATE

Back Box Size: 40mm (Recommended)
 Back Box Ref: SB618 (Flush Metal Box 47mm)
 Back Box Ref: SB632 (Dry Lining Box 47mm)
 Plate Material: Mild Steel, 1.5mm depth
 Rocker Material: Cast Zinc with appropriate metal finish
 Interior Material: Polycarbonate
 Processes: Polished / brushed plate, Electrochemically Laquered, Stoved



A POINT OF TESTING

When installations incorporating electronic devices of the semi conductor type are being tested, care must always be taken to ensure that they are not subjected to the output voltage of the insulation tester. However, dimmer switches complying with BS 5518 will not be damaged by the application of a normal 500V insulation resistance test. In all other cases where electronic items are fitted, they should be disconnected whilst the insulation of the installation is being tested. A notice, drawing to the attention to the fact that electronic devices are incorporated in the installation, should always be affixed at the intake position. This also applies to any neon indicators fitted.

DECORATIVE 13A SOCKET OUTLET



PRODUCT DESCRIPTION

All switched sockets are fitted with two earth terminals for use where compliance with BS 7671:2008 regulation 543-7 (IET wiring regulations). They are available in 3 decorative ranges complimented by a variety of striking finishes. Socket inserts are available in black/white and offers adequate protection from the shutter system. The rockers are of Crabtree's distinctive design, large and concave with ideal switching action and available in black/white (match inserts) or metal (match plate) finish.

BRITISH STANDARDS

- All Crabtree 13A sockets have been type tested to BS 1363-2 13A plugs, socket outlets, adaptors and connection units
Specification for 13A switched and unswitched socket outlets

TECHNICAL SPECIFICATION

Product Standard:	BS 1363-2
Voltage:	250V AC 50Hz
Current Rating:	13 Amps
Ambient Temperature:	-5 to 40°C
Installation Altitude:	2000 metres
Other Marking Standards:	CE
Ingress Protection (IP) Rating:	IP2X (unless stated)
Recommended Torque Setting:	0.5Nm L,N, E Terminals
Terminal Capacity L & N:	3 x 2.5mm ² , 2 x 4mm ²
Terminal Capacity E:	3 x 2.5mm ² , 2 x 4mm ²

RANGE PORTFOLIO

Metal Plate

Plate Finishes:	Satin Chrome, Highly Polished Chrome, Bronze, Polished Brass, Stainless Steel & Polished Stainless Steel
Rockers:	Black, White, Red and matching metal finish.
Plate Types:	1 & 2 Gang metal plate
Switch Variants:	1 & 2 Gang Outlets for standard UK 3 pin plug
Switch Type:	Single Pole & Double Pole

Platinum Low Profile

Plate Finishes:	Satin Chrome, Highly Polished Chrome, Polished Brass, Black Nickel & White Moulded
Rockers:	Concave with labyrinth switch design and matching finish.
Plate Types:	1 & 2 Gang slim screwless low profile metal plate
Switch Variants:	1 & 2 Gang Outlets for standard UK 3 pin plug
Switch Type:	Double Pole

Platinum Flat Plate

Plate Finishes:	Polished Brass, Stainless Steel, Polished Stainless Steel
Rockers:	Concave with labyrinth switch design and matching finish
Plate Types:	1 & 2 Gang slim screwed flat metal plate
Switch Variants:	1 & 2 Gang Outlets for standard UK 3 pin plug
Switch Type:	Double Pole

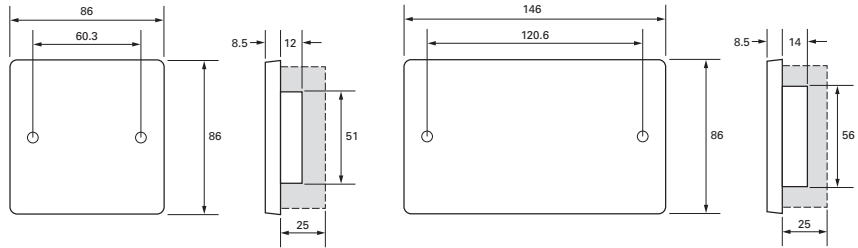
Customised product marking service available

DECORATIVE 13A SOCKET OUTLET

DIMENSIONS (mm)

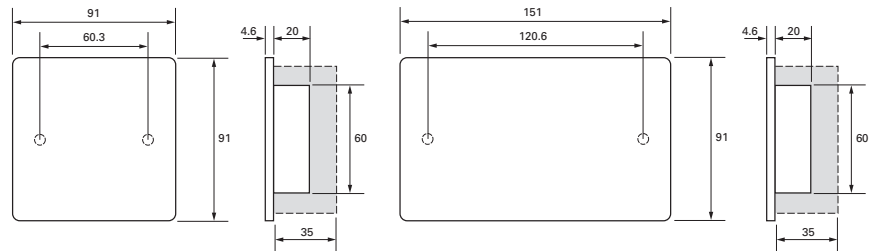
METAL PLATE

- Back Box Size: 25mm (Recommended)
 Back Box Ref: 1 gang SB655, 2 gang SB676 (Flush Metal Box 25mm)
 Back Box Ref: 1 gang SB619, 2 gang SB629 (Dry Lining Box 35mm)
 Plate Material: mild steel, 8.5mm depth
 Rocker Material: Cast Zinc with appropriate metal finish / Polycarbonate
 Interior Material: Polycarbonate
 Processes: Polished / brushed plate, Electrophoresis, Stoved



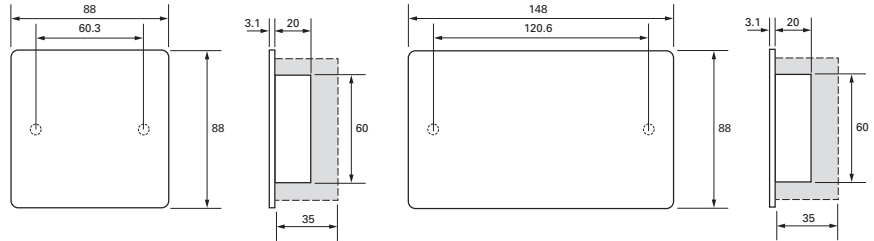
PLATINUM LOW PROFILE WHITE MOULDED PLATE

- Back Box Size: 35mm (Recommended)
 Back Box Ref: 1 gang SB615, 2 gang SB625 or SB636 (Flush Metal Box 35mm)
 Back Box Ref: 1 gang SB619, 2 gang SB629 or SB637 (Dry Lining Box 35mm)
 Plate Material: Polycarbonate, 4.6mm depth
 Rocker Material: Polycarbonate
 Interior Material: Polycarbonate
 Processes: Moulded



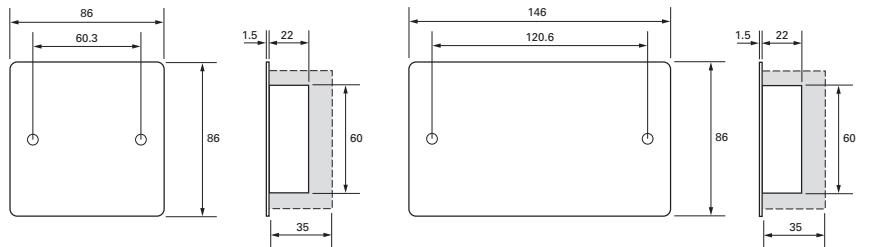
PLATINUM LOW PROFILE METAL PLATE

- Back Box Size: 35mm (Recommended)
 Back Box Ref: 1 gang SB615, 2 gang SB625 or SB636 (Flush Metal Box 35mm)
 Back Box Ref: 1 gang SB619, 2 gang SB629 or SB637 (Dry Lining Box 35mm)
 Plate Material: Mild Steel, 3.1mm depth
 Rocker Material: Cast Zinc with appropriate metal finish
 Interior Material: Polycarbonate
 Processes: Polished / brushed plate, Paint or Electrophoretically Laquered, Stoved



PLATINUM FLAT METAL PLATE

- Back Box Size: 35mm (Recommended)
 Back Box Ref: 1 gang SB615, 2 gang SB625 or SB636 (Flush Metal Box 35mm)
 Back Box Ref: 1 gang SB619, 2 gang SB629 or SB637 (Dry Lining Box 35mm)
 Plate Material: Mild Steel, 1.5mm depth
 Rocker Material: Cast Zinc with appropriate metal finish
 Interior Material: Polycarbonate
 Processes: Polished / brushed plate, Electrophoretically Laquered, Stoved



A POINT OF TESTING

When installations incorporating electronic devices of the semi conductor type are being tested, care must always be taken to ensure that they are not subjected to the output voltage of the insulation tester. However, dimmer switches complying with BS 5518 will not be damaged by the application of a normal 500V insulation resistance test. In all other cases where electronic items are fitted, they should be disconnected whilst the insulation of the installation is being tested. A notice, drawing to the attention to the fact that electronic devices are incorporated in the installation, should always be affixed at the intake position. This also applies to any neon indicators fitted.

FOR BIM INFORMATION PLEASE CONTACT
 CRABTREE TECHNICAL ON 01543 438310 or
crabtree.technical@electricum.co.uk

DECORATIVE 2A, 5A & 15A SOCKET OUTLET



PRODUCT DESCRIPTION

Socket inserts are available in black/white with round pin outlets. Rockers are narrow and flat design in comparison to the patented Crabtree standard profile with desired sharp switching action and surrounding trim. Available in a variety of finishes across 3 decorative ranges.

BRITISH STANDARDS

- All Crabtree 2A, 5A, 15A & 15A 125V sockets have been type tested to BS 546 Three pin plugs and sockets of the round pin type, are used in domestic premises, offices etc. For standard ratings of 2, 5, 15 and 30 amps
- 15A 125V American socket is type tested to NEMA configuration 5-15

TECHNICAL SPECIFICATION

Product Standard:	BS 1363-2
Voltage:	250V AC 50Hz
Current Rating:	2, 5 and 15 Amps
Ambient Temperature:	-5 to 40°C
Installation Altitude:	2000 metres
Other Marking Standards:	CE
Ingress Protection (IP) Rating:	IP2X (unless stated)
Recommended Torque Setting:	0.5Nm L,N, E Terminals
Terminal Capacity 2A:	3 x 1.5mm ² , 2 x 2.5mm ²
Terminal Capacity 5A:	3 x 1.5mm ² , 2 x 2.5mm ²
Terminal Capacity 15A:	3 x 2.5mm ² , 2 x 4mm ²
Terminal Capacity 15A 125V:	3 x 2.5mm ² , 2 x 4mm ²

RANGE PORTFOLIO

Metal Plate

Plate Finishes:	Satin Chrome, Highly Polished Chrome, Bronze, Polished Brass, Stainless Steel & Polished Stainless Steel
Rockers:	Black, White, Red and matching metal rocker interiors.
Plate Types:	1 Gang metal plate
Switch Variants:	1 Gang Round Pin Outlet
Switch Type:	Single Pole

Platinum Low Profile

Plate Finishes:	Satin Chrome, Highly Polished Chrome, Polished Brass, Black Nickel & White Moulded with matching rockers
Rockers:	Concave with labyrinth switch design and no visible trim complimenting its elegant, sharp design.
Plate Types:	1 Gang slim screwless low profile metal plate
Switch Variants:	1 Gang Round Pin Outlet
Switch Type:	Single Pole

Platinum Flat Plate

Plate Finishes:	Stainless Steel, Polished Stainless Steel, Polished Brass
Rockers:	Concave with labyrinth switch design and matching rockers.
Plate Types:	1 Gang slim screwed flat metal plate
Switch Variants:	1 Gang Round Pin Outlet
Switch Type:	Single Pole

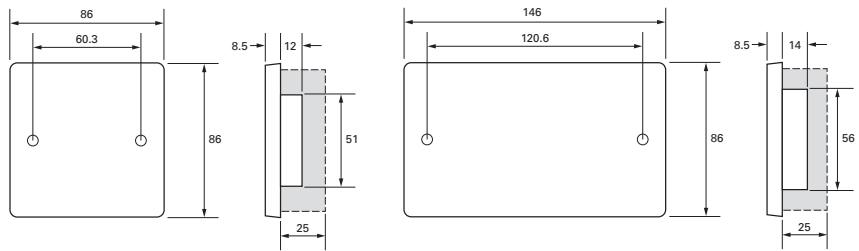
Customised product marking service available

DECORATIVE 2A, 5A & 15A SOCKET OUTLET

DIMENSIONS (mm)

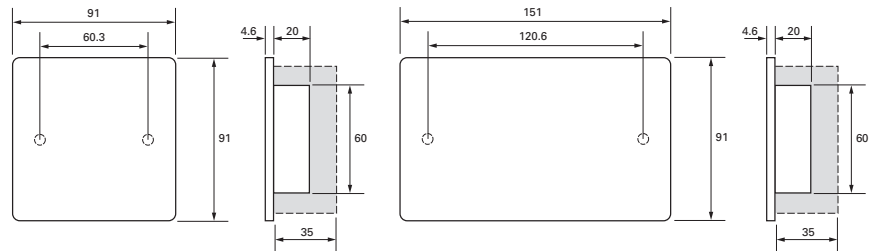
METAL PLATE

Back Box Size: 25mm (Recommended)
 Back Box Ref: 1 gang SB615, 2 gang SB676 (Flush Metal Box 25mm)
 Back Box Ref: 1 gang SB619, 2 gang SB629 (Dry Lining Box 35mm)
 Plate Material: mild steel, 8.5mm depth
 Rocker Material: Cast Zinc with appropriate metal finish / Polycarbonate
 Interior Material: Polycarbonate
 Processes: Polished / brushed plate, Electrophoresis, Stoved



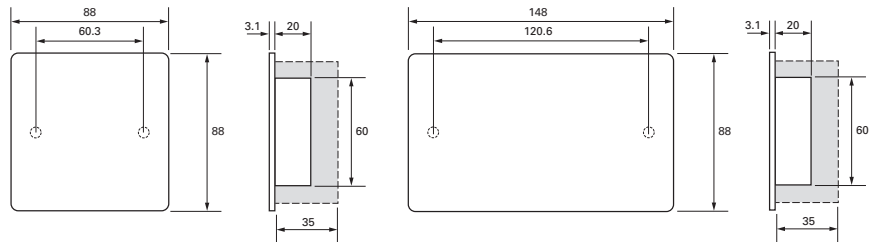
PLATINUM LOW PROFILE WHITE MOULDED PLATE

Back Box Size: 35mm (Recommended)
 Back Box Ref: 1 gang SB615, 2 gang SB625 or SB636 (Flush Metal Box 35mm)
 Back Box Ref: 1 gang SB619, 2 gang SB629 or SB637 (Dry Lining Box 35mm)
 Plate Material: Polycarbonate, 4.6mm depth
 Rocker Material: Polycarbonate
 Interior Material: Polycarbonate
 Processes: Moulded



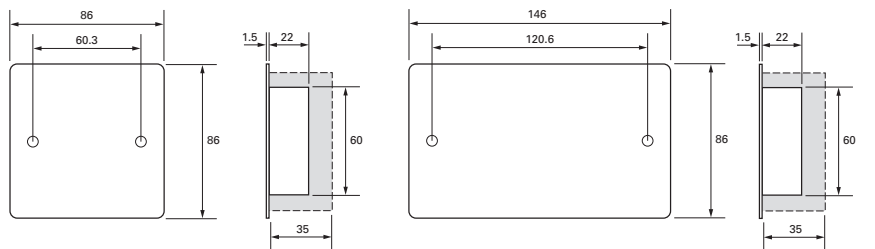
PLATINUM LOW PROFILE METAL PLATE

Back Box Size: 35mm (Recommended)
 Back Box Ref: 1 gang SB615, 2 gang SB625 or SB636 (Flush Metal Box 35mm)
 Back Box Ref: 1 gang SB619, 2 gang SB629 or SB637 (Dry Lining Box 35mm)
 Plate Material: Mild Steel, 3.1mm depth
 Rocker Material: Cast Zinc with appropriate metal finish
 Interior Material: Polycarbonate
 Processes: Polished / brushed plate, Paint or Electrophoretically Laquered, Stoved



PLATINUM FLAT METAL PLATE

Back Box Size: 35mm (Recommended)
 Back Box Ref: 1 gang SB615, 2 gang SB625 or SB636 (Flush Metal Box 35mm)
 Back Box Ref: 1 gang SB619, 2 gang SB629 or SB637 (Dry Lining Box 35mm)
 Plate Material: Mild Steel, 1.5mm depth
 Rocker Material: Cast Zinc with appropriate metal finish
 Interior Material: Polycarbonate
 Processes: Polished / brushed plate, Electrophoretically Laquered, Stoved



A POINT OF TESTING

When installations incorporating electronic devices of the semi conductor type are being tested, care must always be taken to ensure that they are not subjected to the output voltage of the insulation tester. However, dimmer switches complying with BS 5518 will not be damaged by the application of a normal 500V insulation resistance test. In all other cases where electronic items are fitted, they should be disconnected whilst the insulation of the installation is being tested. A notice, drawing to the attention to the fact that electronic devices are incorporated in the installation, should always be affixed at the intake position. This also applies to any neon indicators fitted.

DECORATIVE 13A FUSED CONNECTION UNIT



PRODUCT DESCRIPTION

Crabtree FCUs offer a consistent and stylish design across 3 decorative ranges with a variety of finishing options. The switching modules are available in black and white with the additional selection of neon light indicator and flex cord outlet (allows up to 10mm diameter cable) integrated at the front of the accessory. The fuse carrier requires a tool to remove and can be padlocked in the open position, a safety feature for the purpose of site maintenance. Fuse is located on the line side with a BS1362 fuse link.

BRITISH STANDARDS

- All Crabtree 13A sockets have been type tested to BS 1363-4

TECHNICAL SPECIFICATION

Product Standard:	BS 13163-4
Voltage:	250V AC 50Hz
Current Rating:	13 Amps
Ambient Temperature:	-5 to 40°C
Installation Altitude:	2000 metres
Other Marking Standards:	CE
Ingress Protection (IP) Rating:	IP4X (unless stated) without cord outlet IP2X (unless stated) with cord outlet
Recommended Torque Setting:	0.5Nm L,N, E Terminals
Terminal Capacity L & N:	3 x 2.5mm ² , 2 x 4mm ²
Terminal Capacity E:	3 x 2.5mm ² , 2 x 4mm ²

RANGE PORTFOLIO

Metal Plate

Plate Finishes:

Satin Chrome, Highly Polished Chrome, Bronze, Polished Brass, Stainless Steel & Polished Stainless Steel

Rockers:

Black, White and matching metal rocker interior

Plate Types:

1 Gang metal plate

Switch Variants:

1 Gang switched / unswitched / neon / cord outlet

Switch Type:

(13A fuse link) Double Pole

Platinum Low Profile

Plate Finishes:

Satin Chrome, Highly Polished Chrome, Polished Brass, Black Nickel & White Moulded with black/white interior

Rockers:

Concave with labyrinth switch design and matching finish

Plate Types:

1 Gang slim screwless low profile metal plate

Switch Variants:

1 Gang switched / unswitched / neon / cord outlet

Switch Type:

(13A fuse link) Double Pole

Platinum Flat Plate

Plate Finishes:

Polished Brass, Stainless Steel, Polished Stainless Steel

Rockers:

Concave with labyrinth switch design and matching finish

Plate Types:

1 Gang slim screwed flat metal plate

Switch Variants:

1 Gang switched / unswitched / neon / cord outlet

Switch Type:

(13A fuse link) Double Pole

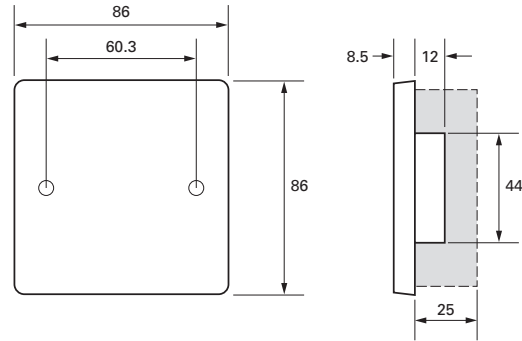
Customised product marking service available

DECORATIVE 13A FUSED CONNECTION UNIT

DIMENSIONS (mm)

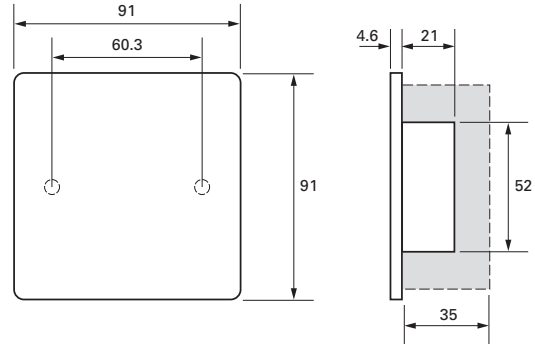
METAL PLATE

Back Box Size: 25mm (Recommended)
 Back Box Ref: SB655 (Flush Metal Box 25mm)
 Back Box Ref: SB619 (Dry Lining Box 35mm)
 Plate Material: Mild Steel, 8.5mm depth
 Rocker Material: Cast Zinc with appropriate metal finish / Polycarbonate
 Interior Material: Polycarbonate
 Processes: Polished / brushed plate, Electrophoresis, Stoved



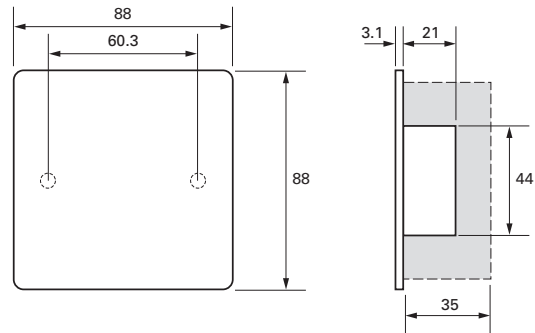
PLATINUM LOW PROFILE WHITE MOULDED PLATE

Back Box Size: 35mm (Recommended)
 Back Box Ref: 1 gang SB615 (Flush Metal Box 35mm)
 Back Box Ref: 1 gang SB619 (Dry Lining Box 35mm)
 Plate Material: Polycarbonate, 4.6mm depth
 Rocker Material: Polycarbonate
 Interior Material: Polycarbonate
 Processes: Moulded



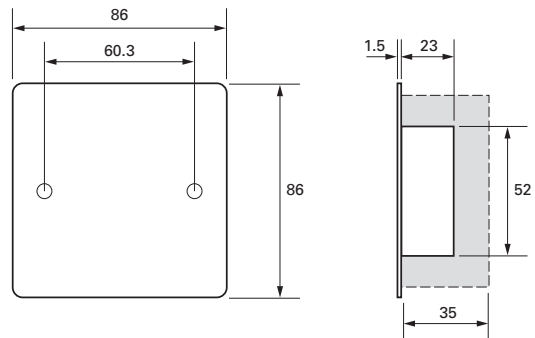
PLATINUM LOW PROFILE METAL PLATE

Back Box Size: 35mm (Recommended)
 Back Box Ref: 1 gang SB615 (Flush Metal Box 35mm)
 Back Box Ref: 1 gang SB619 (Dry Lining Box 35mm)
 Plate Material: Mild Steel, 3.1mm depth
 Rocker Material: Cast Zinc with appropriate metal finish
 Interior Material: Polycarbonate
 Processes: Polished / brushed plate, Paint or Electrophoretically Lacquered, Stoved



PLATINUM FLAT METAL PLATE

Back Box Size: 35mm (Recommended)
 Back Box Ref: 1 gang SB615 (Flush Metal Box 35mm)
 Back Box Ref: 1 gang SB619 (Dry Lining Box 35mm)
 Plate Material: Mild Steel, 1.5mm depth
 Rocker Material: Cast Zinc with appropriate metal finish
 Interior Material: Polycarbonate
 Processes: Polished / brushed plate, Electrophoretically Lacquered, Stoved



A POINT OF TESTING

When installations incorporating electronic devices of the semi conductor type are being tested, care must always be taken to ensure that they are not subjected to the output voltage of the insulation tester. However, dimmer switches complying with BS 5518 will not be damaged by the application of a normal 500V insulation resistance test. In all other cases where electronic items are fitted, they should be disconnected whilst the insulation of the installation is being tested. A notice, drawing to the attention to the fact that electronic devices are incorporated in the installation, should always be affixed at the intake position. This also applies to any neon indicators fitted.

DECORATIVE 3A ENERGY SAVING CARD SWITCH



PRODUCT DESCRIPTION

Mains voltage card switch is operated by a door entry card and controls the supply of power to the room through a suitably rated contactor.

BRITISH STANDARDS

- All Crabtree 3A energy saving card switches have been tested to BS 5733 General requirements for electrical accessories

TECHNICAL SPECIFICATION

Product Standard:	BS 5733
Voltage:	250V AC 50Hz
Current Rating:	3 Amps
Cable Strip Length:	10mm
Ambient Temperature:	-5 to 40°C
Installation Altitude:	2000 metres
Other Marking Standards:	CE
Ingress Protection (IP) Rating:	IP4X (unless stated)
Recommended Torque Setting:	0.5Nm L,N, E Terminals
Terminal Capacity L & N:	3 x 1.0mm ² , 2 x 1.5mm ²
Terminal Capacity E:	3 x 1.0mm ² , 2 x 1.5mm ²

RANGE PORTFOLIO

Metal Plate

Plate Finishes:	Satin Chrome, Highly Polished Chrome, Bronze, Polished Brass Stainless Steel with black/white interior
Insertion:	Door entry card (up to 86mm x 54mm x 1mm)
Plate Types:	1 Gang decorative metal plate,
Switch Type:	Angled card entry, illuminated neon

Platinum Low Profile

Plate Finishes:	Satin Chrome, Highly Polished Chrome, Polished Brass & Black Nickel with black/white interior
Insertion:	Door entry card (up to 86mm x 54mm x 1mm)
Plate Types:	1 Gang slim screwless low profile metal plate
Switch Type:	Angled card entry, illuminated neon

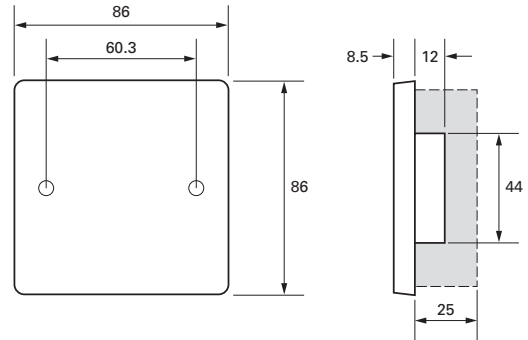
Customised product marking service available

DECORATIVE 3A ENERGY SAVING CARD SWITCH

DIMENSIONS (mm)

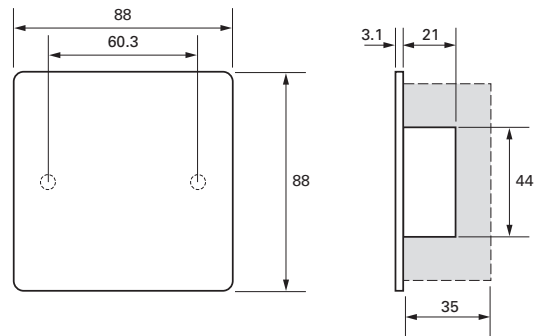
METAL PLATE

Back Box Size: 25mm (Recommended)
 Back Box Ref: SB655 (Flush Metal Box 25mm)
 Back Box Ref: SB619 (Dry Lining Box 35mm)
 Plate Material: Mild Steel, 8.5mm depth
 Base Material: Polycarbonate
 Interior Material: Polycarbonate
 Processes: Polished / brushed plate, Electrophoresis, Stoved



PLATINUM LOW PROFILE METAL PLATE

Back Box Size: 35mm (Recommended)
 Back Box Ref: SB615 (Flush Metal Box 35mm)
 Back Box Ref: SB619 (Dry Lining Box 35mm)
 Plate Material: Mild Steel, 3.1mm depth
 Base Material: Polycarbonate
 Interior Material: Polycarbonate
 Processes: Polished / brushed plate, paint or Electrophoretically Laquered, Stoved



A POINT OF TESTING

When installations incorporating electronic devices of the semi conductor type are being tested, care must always be taken to ensure that they are not subjected to the output voltage of the insulation tester. However, dimmer switches complying with BS 5518 will not be damaged by the application of a normal 500V insulation resistance test. In all other cases where electronic items are fitted, they should be disconnected whilst the insulation of the installation is being tested. A notice, drawing to the attention to the fact that electronic devices are incorporated in the installation, should always be affixed at the intake position. This also applies to any neon indicators fitted.

DECORATIVE 6A TRIPLE POLE CONTROL SWITCH



PRODUCT DESCRIPTION

All Crabtree 6A Triple Pole switches are similar in design, single gang plate assemblies with large wide concave rockers and available with isolator symbol as standard. It provides local isolation of fans (with or without timers) whilst the rest of the circuit remains live. This makes it both safe and convenient for routine maintenance/repairs of fans.

BRITISH STANDARDS

- All Crabtree 6A TP Isolator Switches have been type tested to BS 60947-3 & BS EN 60669-1
- BS 60947-3 Low Voltage Switchgear and control gear. Switches, disconnectors, switch disconnectors and fuse combination units
- BS EN 60669-1 Switches for household and similar fixed electrical installation

TECHNICAL SPECIFICATION

Product Standard:	BS EN 60669-1 & BS 60947-3
Voltage:	250V AC 50Hz
Current Rating:	6 Amps
Cable Strip Length:	10mm
Ambient Temperature:	-5 to 40°C
Installation Altitude:	2000 metres
Other Marking Standards:	CE
Ingress Protection (IP) Rating:	IP4X (unless stated)
Recommended Torque Setting:	0.5Nm L,N, E Terminals
Terminal Capacity L & N:	3 x 2.5mm ² , 2 x 4mm ²
Terminal Capacity E:	3 x 2.5mm ² , 2 x 4mm ²

RANGE PORTFOLIO

Metal Plate

Plate Finishes:	Satin Chrome, Highly Polished Chrome, Bronze, Polished Brass, Stainless Steel & Polished Stainless Steel
Rockers:	Wide & concave, Black/white
Plate Types:	1 Gang metal plate
Switch Variants:	1 Gang switched
Switch Type:	Triple pole

Platinum Low Profile

Plate Finishes:	Satin Chrome, Highly Polished Chrome, Polished Brass, Black Nickel & White Moulded with black/white interior
Rockers:	Wide & concave with labyrinth switch design and matching metal finish.
Plate Types:	1 Gang slim screwless low profile metal plate
Switch Variants:	1 Gang switched
Switch Type:	Triple pole

Platinum Flat Plate

Plate Finishes:	Polished Brass, Stainless Steel & Polished Stainless Steel
Rockers:	Wide & concave with labyrinth switch design and matching metal finish.
Plate Types:	1 Gang slim screwed flat metal plate
Switch Variants:	1 Gang switched
Switch Type:	Triple pole

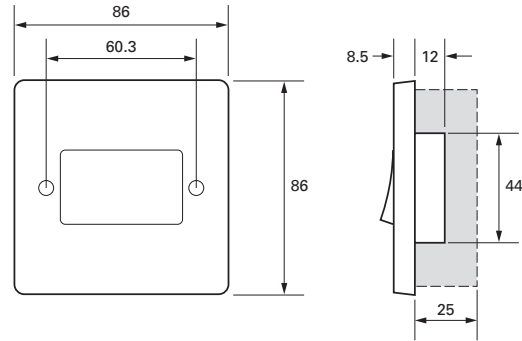
Customised product marking service available

DECORATIVE 6A TRIPLE POLE CONTROL SWITCH

DIMENSIONS (mm)

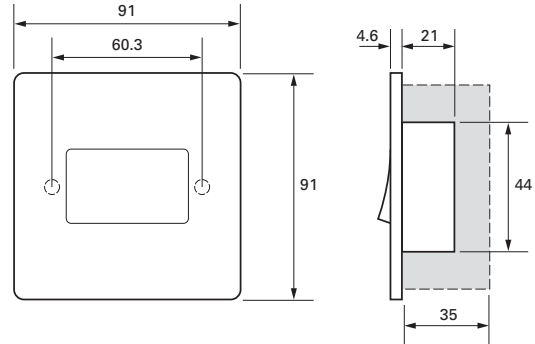
METAL PLATE

Back Box Size: 25mm (Recommended)
 Back Box Ref: SB655 (Flush Metal Box 25mm)
 Back Box Ref: SB619 (Dry Lining Box 35mm)
 Plate Material: Mild Steel, 8.5mm depth
 Rocker Material: Cast Zinc with appropriate metal finish / Polycarbonate
 Interior Material: Polycarbonate
 Processes: Polished / brushed plate, Electrophoresis, Stoved



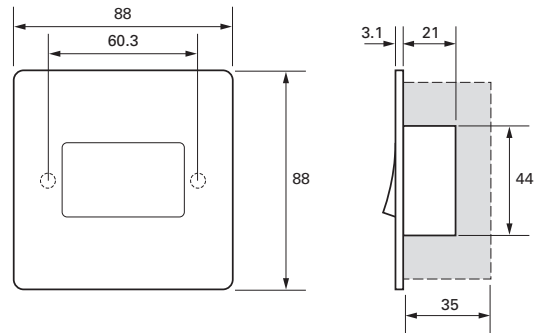
PLATINUM LOW PROFILE WHITE MOULDED PLATE

Back Box Size: 35mm (Recommended)
 Back Box Ref: 1 gang SB615 (Flush Metal Box 35mm)
 Back Box Ref: 1 gang SB619 (Dry Lining Box 35mm)
 Plate Material: Polycarbonate, 4.6mm depth
 Rocker Material: Polycarbonate
 Interior Material: Polycarbonate
 Processes: Moulded



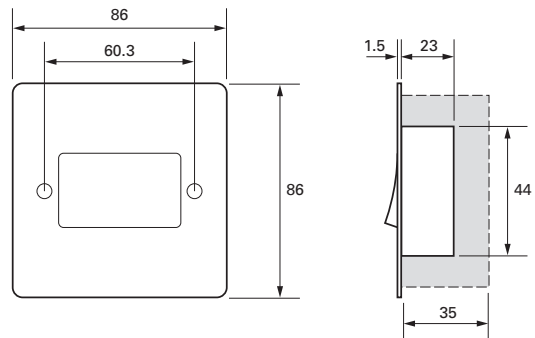
PLATINUM LOW PROFILE METAL PLATE

Back Box Size: 35mm (Recommended)
 Back Box Ref: 1 gang SB615 (Flush Metal Box 35mm)
 Back Box Ref: 1 gang SB619 (Dry Lining Box 35mm)
 Plate Material: Mild Steel, 3.1mm depth
 Rocker Material: Cast Zinc with appropriate metal finish
 Interior Material: Polycarbonate
 Processes: Polished / brushed plate, Paint or Electrophoretically Lacquered, Stoved



PLATINUM FLAT METAL PLATE

Back Box Size: 35mm (Recommended)
 Back Box Ref: 1 gang SB615 (Flush Metal Box 35mm)
 Back Box Ref: 1 gang SB619 (Dry Lining Box 35mm)
 Plate Material: Mild Steel, 1.5mm depth
 Rocker Material: Cast Zinc with appropriate metal finish
 Interior Material: Polycarbonate
 Processes: Polished / brushed plate, Electrophoretically Lacquered, Stoved



A POINT OF TESTING

When installations incorporating electronic devices of the semi conductor type are being tested, care must always be taken to ensure that they are not subjected to the output voltage of the insulation tester. However, dimmer switches complying with BS 5518 will not be damaged by the application of a normal 500V insulation resistance test. In all other cases where electronic items are fitted, they should be disconnected whilst the insulation of the installation is being tested. A notice, drawing to the attention to the fact that electronic devices are incorporated in the installation, should always be affixed at the intake position. This also applies to any neon indicators fitted.

DECORATIVE 20A & 32A DOUBLE POLE CONTROL SWITCH



PRODUCT DESCRIPTION

Fitted with two earth terminals Crabtree's decorative control switches incorporate a number of desirable features. The sharp elegant aesthetics of the Platinum range is ascertained by a thin stylish plate professionally lacquered for an immaculate finish. The cord outlet option allows up to 10mm diameter of flexible cord and the plates can be customised through the marking service to suit all applications.

BRITISH STANDARDS

- All Crabtree 20A & 32A Control Switches have been type tested to BS EN 60669-1 Switches for household and similar fixed electrical installation

TECHNICAL SPECIFICATION

Product Standard:	BS EN 60669-1
Voltage:	250V AC 50Hz
Current Rating:	20 / 32 Amps
Cable Strip Length:	10mm
Ambient Temperature:	-5 to 40° C
Installation Altitude:	2000 metres
Other Marking Standards:	CE
Ingress Protection (IP) Rating:	IP4X (unless stated) without cord outlet IP2X (unless stated) with cord outlet
Recommended Torque Setting:	0.5Nm L,N, E Terminals
Terminal Capacity L & N:	3 x 2.5mm ² , 2 x 4mm ² , 1 x 10mm
Terminal Capacity E:	3 x 2.5mm ² , 2 x 4mm ² , 1 x 10mm

RANGE PORTFOLIO

Metal Plate

Plate Finishes:	Satin Chrome, Highly Polished Chrome, Bronze, Polished Brass, Stainless Steel & Polished Stainless Steel
Rockers:	Wide & concave with black/white finish
Plate Types:	1 Gang metal plate
Switch Variants:	1 Gang switched, neon, cord outlet
Switch Type:	Double Pole

Platinum Low Profile

Plate Finishes:	Satin Chrome, Highly Polished Chrome, Polished Brass, Black Nickel & White Moulded
Rockers:	Wide & concave with labyrinth switch design and matching metal finish.
Plate Types:	1 Gang slim screwless low profile metal plate
Switch Variants:	1 Gang switched, neon
Switch Type:	Double Pole

Platinum Flat Plate

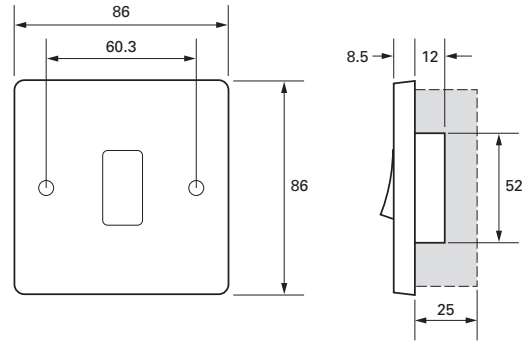
Plate Finishes:	Polished Brass, Stainless Steel & Polished Stainless Steel
Rockers:	Wide & concave with labyrinth switch design and matching metal finish.
Plate Types:	1 Gang slim screwed flat metal plate
Switch Variants:	1 Gang switched, neon
Switch Type:	Double Pole

Customised product marking service available

DIMENSIONS (mm)

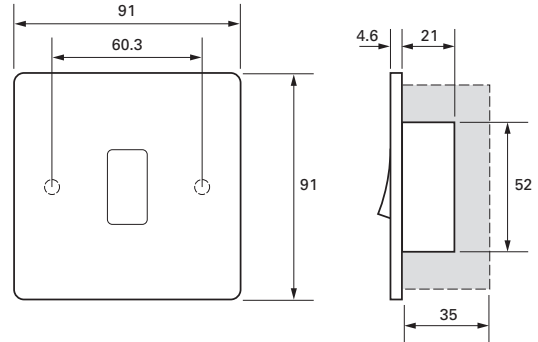
METAL PLATE

Back Box Size: 25mm (Recommended)
 Back Box Ref: SB655 (Flush Metal Box 25mm)
 Back Box Ref: SB619 (Dry Lining Box 35mm)
 Plate Material: Mild Steel, 8.5mm depth
 Rocker Material: Cast Zinc with appropriate metal finish / Polycarbonate
 Interior Material: Polycarbonate
 Processes: Polished / brushed plate, Electrophoresis, Stoved



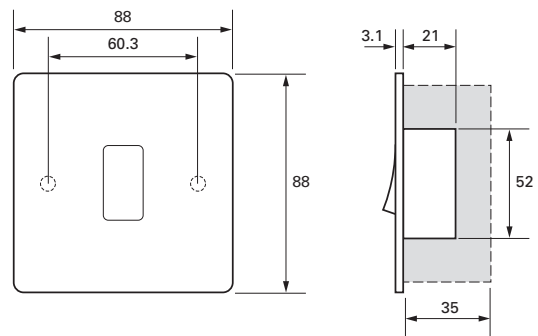
PLATINUM LOW PROFILE WHITE MOULDED PLATE

Back Box Size: 35mm (Recommended)
 Back Box Ref: 1 gang SB615 (Flush Metal Box 35mm)
 Back Box Ref: 1 gang SB619 (Dry Lining Box 35mm)
 Plate Material: Polycarbonate, 4.6mm depth
 Rocker Material: Polycarbonate
 Interior Material: Polycarbonate
 Processes: Moulded



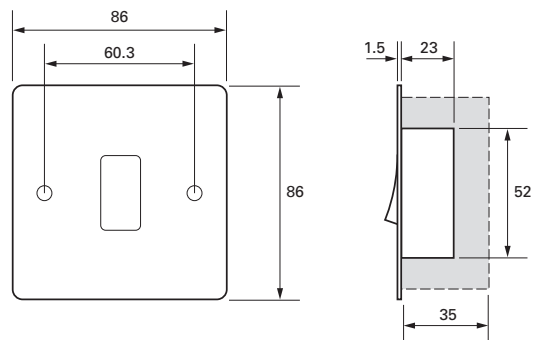
PLATINUM LOW PROFILE METAL PLATE

Back Box Size: 35mm (Recommended)
 Back Box Ref: 1 gang SB615 (Flush Metal Box 35mm)
 Back Box Ref: 1 gang SB619 (Dry Lining Box 35mm)
 Plate Material: Mild Steel, 3.1mm depth
 Rocker Material: Cast Zinc with appropriate metal finish
 Interior Material: Polycarbonate
 Processes: Polished / brushed plate, Paint or Electrophoretically Lacquered, Stoved



PLATINUM FLAT METAL PLATE

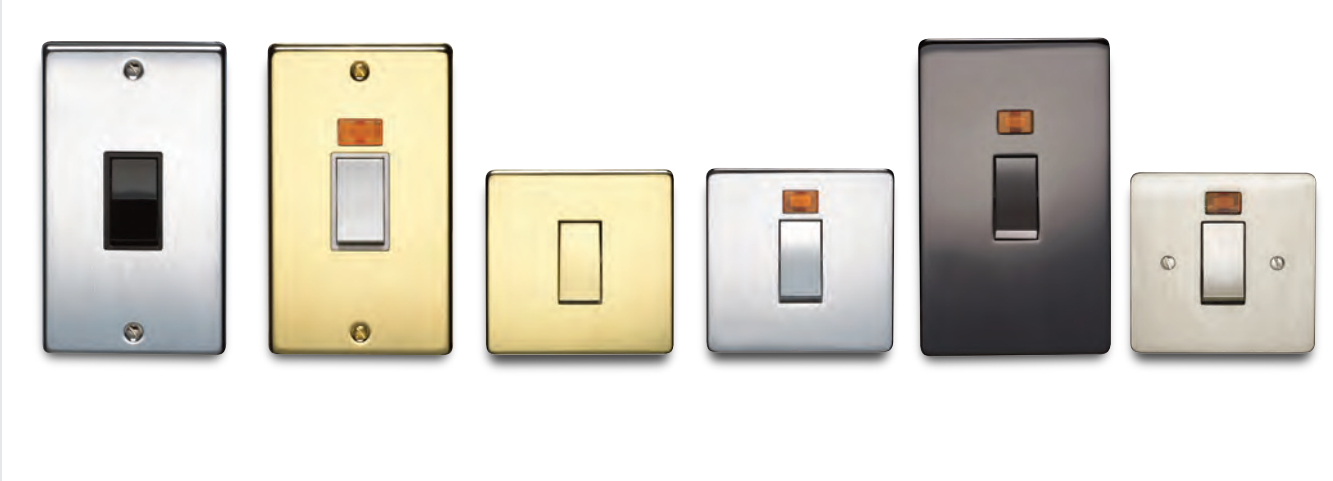
Back Box Size: 35mm (Recommended)
 Back Box Ref: 1 gang SB615 (Flush Metal Box 35mm)
 Back Box Ref: 1 gang SB619 (Dry Lining Box 35mm)
 Plate Material: Mild Steel, 1.5mm depth
 Rocker Material: Cast Zinc with appropriate metal finish
 Interior Material: Polycarbonate
 Processes: Polished / brushed plate, Electrophoretically Lacquered, Stoved



A POINT OF TESTING

When installations incorporating electronic devices of the semi conductor type are being tested, care must always be taken to ensure that they are not subjected to the output voltage of the insulation tester. However, dimmer switches complying with BS 5518 will not be damaged by the application of a normal 500V insulation resistance test. In all other cases where electronic items are fitted, they should be disconnected whilst the insulation of the installation is being tested. A notice, drawing to the attention to the fact that electronic devices are incorporated in the installation, should always be affixed at the intake position. This also applies to any neon indicators fitted.

DECORATIVE 45A & 50A DOUBLE POLE CONTROL SWITCH



PRODUCT DESCRIPTION

Crabtree control plate switches with large concave rockers designed for the desired sharp switching action. Raised decorative metal plate versions are rated 50amps and assembled on to a 2 gang sized vertical plate. Platinum switches are rated 45amps with the option for a 1 gang or 2 gang sized plate. Fitted with two earth terminals as standard, all are available in the decorative finishes and neon options.

BRITISH STANDARDS

- All Crabtree 45A & 50A Control Switches have been type tested to BS EN 60669-1 Switches for household and similar fixed electrical installation

TECHNICAL SPECIFICATION

Product Standard:	BS EN 60669-1
Voltage:	250V AC 50Hz
Current Rating:	45 / 50 Amps
Cable Strip Length:	10mm
Ambient Temperature:	-5 to 40°C
Installation Altitude:	2000 metres
Other Marking Standards:	CE
Ingress Protection (IP) Rating:	IP4X (unless stated)
Recommended Torque Setting:	0.5Nm L,N, E Terminals
Terminal Capacity L & N:	2 x 6mm ² , 1 x 10mm ² , 1 x 16mm ²
Terminal Capacity E:	2 x 6mm ² , 1 x 10mm ² , 1 x 16mm ²

RANGE PORTFOLIO

Metal Plate

Plate Finishes:	Satin Chrome, Highly Polished Chrome, Bronze, Polished Brass, Stainless Steel & Polished Stainless Steel
Rockers:	Wide & concave with black/white finish
Plate Types:	1 Gang metal plate
Switch Variants:	1 Gang switched, neon, cord outlet
Switch Type:	Double Pole

Platinum Low Profile

Plate Finishes:	Satin Chrome, Highly Polished Chrome, Polished Brass, Black Nickel & White Moulded
Rockers:	Wide & concave with labyrinth switch design and matching metal finish.
Plate Types:	1 Gang slim screwless low profile metal plate
Switch Variants:	1 Gang switched, neon
Switch Type:	Double Pole

Platinum Flat Plate

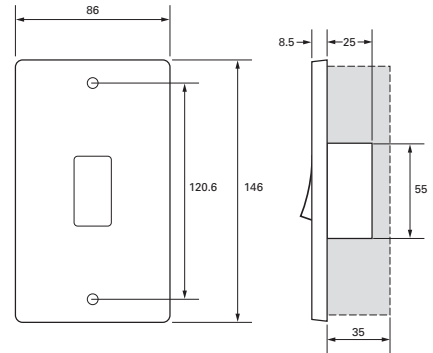
Plate Finishes:	Polished Brass, Stainless Steel & Polished Stainless Steel
Rockers:	Wide & concave with labyrinth switch design and matching metal finish.
Plate Types:	1 Gang slim screwed flat metal plate
Switch Variants:	1 Gang switched, neon
Switch Type:	Double Pole

Customised product marking service available

DIMENSIONS (mm)

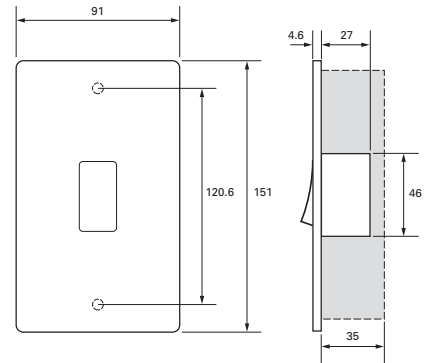
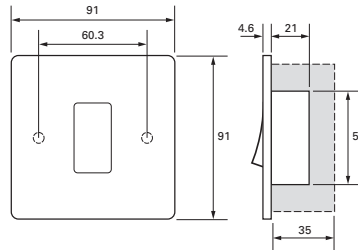
METAL PLATE

Back Box Size: 47mm (Recommended)
 Back Box Ref: Metal 1 gang SB618
 Back Box Ref: Dry Lining 2 gang SB631
 Plate Material: Mild Steel, 8.5mm depth
 Rocker Material: Cast Zinc with appropriate metal finish / Polycarbonate
 Interior Material: Polycarbonate
 Processes: Polished / brushed plate, Electrophoresis, Stoved



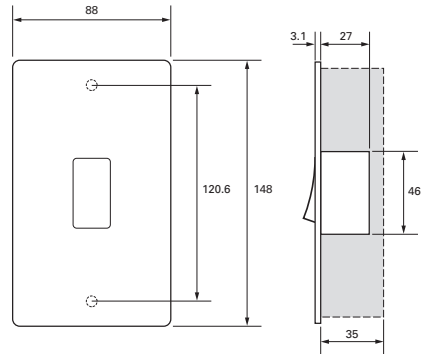
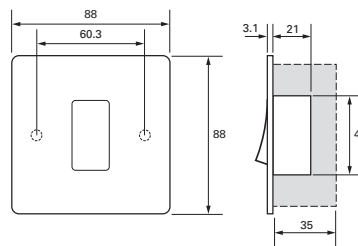
PLATINUM LOW PROFILE WHITE MOULDED PLATE

Back Box Size: 47mm (Recommended)
 Back Box Ref: Metal 1 gang SB618
 Back Box Ref: Metal 2 gang SB628
 Back Box Ref: Dry Lining 1 gang SB632
 Back Box Ref: Dry Lining 2 gang SB631
 Plate Material: Polycarbonate, 4.6mm depth
 Rocker Material: Polycarbonate
 Interior Material: Polycarbonate
 Processes: Moulded



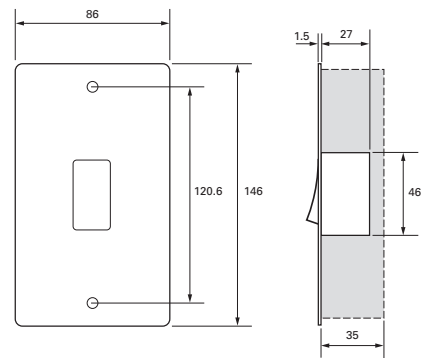
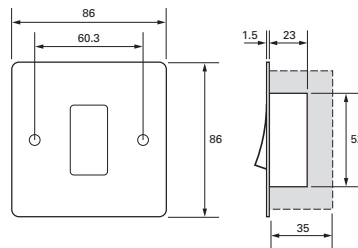
PLATINUM LOW PROFILE METAL PLATE

Back Box Size: 47mm (Recommended)
 Back Box Ref: Metal 1 gang SB618
 Back Box Ref: Metal 2 gang SB628
 Back Box Ref: Dry Lining 1 gang SB632
 Back Box Ref: Dry Lining 2 gang SB631
 Plate Material: Mild Steel, 3.1mm depth
 Rocker Material: Cast Zinc with appropriate metal finish
 Interior Material: Polycarbonate
 Processes: Polished / brushed plate, Paint or Electroplated, Stoved



PLATINUM FLAT METAL PLATE

Back Box Size: 47mm (Recommended)
 Back Box Ref: Metal 1 gang SB618
 Back Box Ref: Metal 2 gang SB628
 Back Box Ref: Dry Lining 1 gang SB632
 Back Box Ref: Dry Lining 2 gang SB631
 Plate Material: Mild Steel, 1.5mm depth
 Rocker Material: Cast Zinc with appropriate metal finish
 Interior Material: Polycarbonate
 Processes: Polished / brushed plate, Electroplated, Stoved



A POINT OF TESTING

When installations incorporating electronic devices of the semi conductor type are being tested, care must always be taken to ensure that they are not subjected to the output voltage of the insulation tester. However, dimmer switches complying with BS 5518 will not be damaged by the application of a normal 500V insulation resistance test. In all other cases where electronic items are fitted, they should be disconnected whilst the insulation of the installation is being tested. A notice, drawing to the attention to the fact that electronic devices are incorporated in the installation, should always be affixed at the intake position. This also applies to any neon indicators fitted.

DECORATIVE 45A COOKER CONTROL UNIT



PRODUCT DESCRIPTION

All Crabtree CCUs supplement two earth terminals as standard and are arranged on to the same plate specifications as the 2 gang socket, for added consistency separate double pole switching for both the cooker control switch and the 13amp socket outlet is marked on to the plate for clear identification.

BRITISH STANDARDS

- All Crabtree 45A Cooker Control Units have been type tested to BS 4177 & BS 1363-2
- BS 4177 Specification for cooker control units
- BS 1363-2 specification for 13A plugs, socket outlets, adaptors & connection units

TECHNICAL SPECIFICATION

Product Standard:	BS EN 60669-1 & BS 4177
Voltage:	250V AC 50Hz
Current Rating:	45 Amps (Control Switch) 13Amps (Socket Outlet)
Ambient Temperature:	-5 to 40°C
Installation Altitude:	2000 metres
Other Marking Standards:	CE
Ingress Protection (IP) Rating:	IP2X (unless stated)
Recommended Torque Setting:	0.5Nm L,N, E Terminals
Terminal Capacity L & N:	2 x 6mm ² , 1 x 10mm ² , 1 x 16mm ²
Terminal Capacity E:	2 x 6mm ² , 1 x 10mm ² , 1 x 16mm ²

RANGE PORTFOLIO

Metal Plate

Plate Finishes:	Satin Chrome, Highly Polished Chrome, Bronze, Polished Brass, Stainless Steel & Polished Stainless Steel with black/white inserts
Rockers:	Black/white
Plate Types:	2 Gang metal plate
Switch Variants:	2 Gang switched, neon
Switch Type:	Double Pole, 45A control switch + 13A switched socket

Platinum Low Profile

Plate Finishes:	Satin Chrome, Highly Polished Chrome, Polished Brass, Black Nickel & White Moulded with black/white inserts
Rockers:	Wide & concave with labyrinth switch design and matching metal finish.
Plate Types:	2 Gang slim screwless low profile metal plate
Switch Variants:	2 Gang switched, neon
Switch Type:	Double Pole, 45A control switch + 13A switched socket

Platinum Flat Plate

Plate Finishes:	Polished Brass, Stainless Steel & Polished Stainless Steel with black/white inserts
Rockers:	Wide & concave with labyrinth switch design and matching metal finish.
Plate Types:	1 Gang slim screwed flat metal plate
Switch Variants:	2 Gang switched, neon
Switch Type:	Double Pole, 45A control switch + 13A switched socket

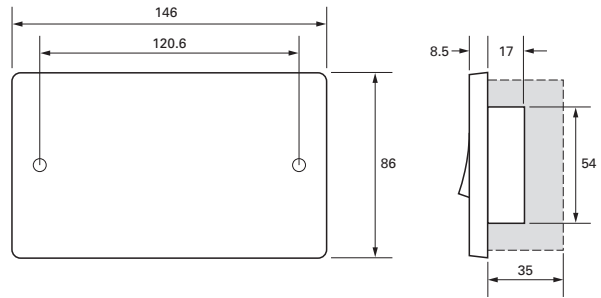
Customised product marking service available

DECORATIVE 45A COOKER CONTROL UNIT

DIMENSIONS (mm)

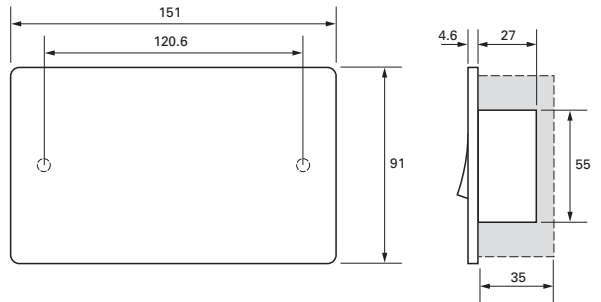
METAL PLATE

Back Box Size: 35mm (Recommended)
 Back Box Ref: 2 gang SB625 (Flush Metal)
 Back Box Ref: 2 gang SB631 (Dry Lining)
 Plate Material: Mild Steel, 8.5mm depth
 Rocker Material: Cast Zinc with appropriate metal finish / Polycarbonate
 Interior Material: Polycarbonate
 Processes: Polished / brushed plate, Electrophoresis, Stoved



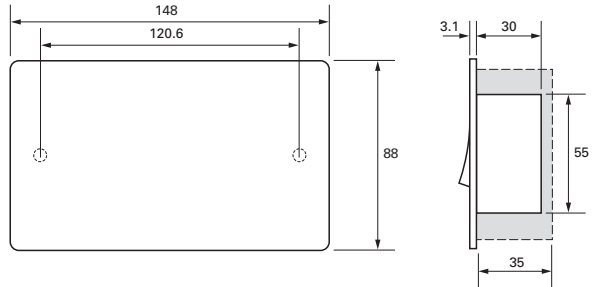
PLATINUM LOW PROFILE WHITE MOULDED PLATE

Back Box Size: 35mm (Recommended)
 Back Box Ref: 2 gang SB625 (Flush Metal)
 Back Box Ref: 2 gang SB631 (Dry Lining)
 Plate Material: Polycarbonate, 4.6mm depth
 Rocker Material: Polycarbonate
 Interior Material: Polycarbonate
 Processes: Moulded



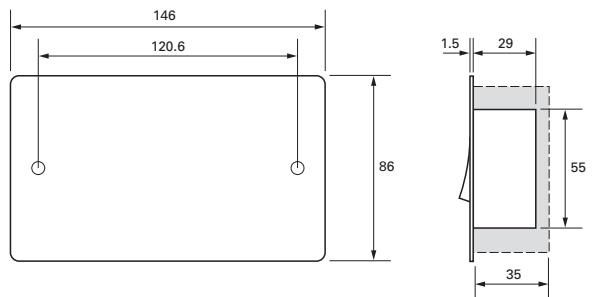
PLATINUM LOW PROFILE METAL PLATE

Back Box Size: 35mm (Recommended)
 Back Box Ref: 2 gang SB625 (Flush Metal)
 Back Box Ref: 2 gang SB631 (Dry Lining)
 Plate Material: Mild Steel, 3.1mm depth
 Rocker Material: Cast Zinc with appropriate metal finish
 Interior Material: Polycarbonate
 Processes: Polished / brushed plate, Paint or Electrochromically Lacquered, Stoved



PLATINUM FLAT METAL PLATE

Back Box Size: 35mm (Recommended)
 Back Box Ref: 2 gang SB625 (Flush Metal)
 Back Box Ref: 2 gang SB631 (Dry Lining)
 Plate Material: Mild Steel, 1.5mm depth
 Rocker Material: Cast Zinc with appropriate metal finish
 Interior Material: Polycarbonate
 Processes: Polished / brushed plate, Electrochromically Lacquered, Stoved



A POINT OF TESTING

When installations incorporating electronic devices of the semi conductor type are being tested, care must always be taken to ensure that they are not subjected to the output voltage of the insulation tester. However, dimmer switches complying with BS 5518 will not be damaged by the application of a normal 500V insulation resistance test. In all other cases where electronic items are fitted, they should be disconnected whilst the insulation of the installation is being tested. A notice, drawing to the attention to the fact that electronic devices are incorporated in the installation, should always be affixed at the intake position. This also applies to any neon indicators fitted.

DECORATIVE SHAVER SUPPLY UNIT



PRODUCT DESCRIPTION

Same plate specification as standard twin socket, output of either 115V 50Hz or 230V 50Hz. The simple yet elegant design of Crabtree's shaver supply units complement installations with suitability and style. All have been tested to British Standards ensuring optimal safety for use in bathrooms. Complete assemblies are available in a variety of plate finishes and black or white socket interiors

BRITISH STANDARDS

- All Crabtree Shaver Supply Units have been type tested to BS 61558-2-5
 - BS 61558-2-5 Safety of transformers, reactors, power supply units and combinations thereof
- Particular requirements and tests for transformers & power supply units for shavers and shaver units

TECHNICAL SPECIFICATION

Product Standard:	BS 61558-2-5
Voltage:	115/230V AC 50Hz
Ambient Temperature:	-5 to 40°C
Installation Altitude:	2000 metres
Other Marking Standards:	CE
Ingress Protection (IP) Rating:	IP2X (unless stated)
Recommended Torque Setting:	0.5Nm L,N, E Terminals
Terminal Capacity L & N:	4 x mm ² , 3 x 1.5mm ²
Terminal Capacity E:	4 x mm ² , 3 x 1.5mm ²

RANGE PORTFOLIO

Metal Plate

Plate Finishes:	Satin Chrome, Highly Polished Chrome, Polished Brass, Bronze, Stainless Steel & Polished Stainless Steel
Rockers:	Black/white interior, no rockers
Plate Types:	2 Gang metal plate
Switch Variants:	2 Gang switched, neon, cord outlet
Type:	Dual Shaver supply unit

Platinum Low Profile

Plate Finishes:	Satin Chrome, Highly Polished Chrome, Polished Brass, Black Nickel & White Moulded
Rockers:	Black/white interior, no rockers
Plate Types:	2 Gang slim screwless low profile metal plate
Switch Variants:	2 Gang switched, neon
Type:	Dual Shaver supply unit

Platinum Flat Plate

Plate Finishes:	Polished Brass, Stainless Steel & Polished Stainless Steel
Rockers:	Black/white interior, no rockers
Plate Types:	2 Gang slim screwed flat metal plate
Switch Variants:	2 Gang switched, neon
Type:	Dual Shaver supply unit

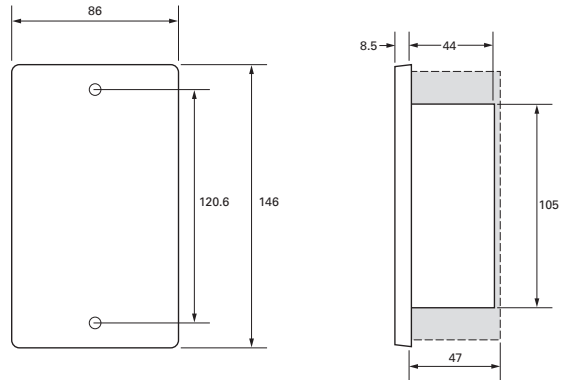
Customised product marking service available

DECORATIVE SHAVER SUPPLY UNIT

DIMENSIONS (mm)

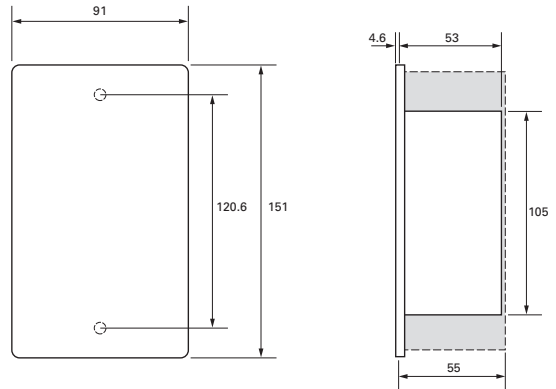
METAL PLATE

Back Box Size: 47mm (Recommended)
 Back Box Ref: SB628 (Flush Metal Box 47mm)
 Back Box Ref: SB631 (Dry Lining Box 47mm)
 Plate Material: Mild Steel, 8.5mm depth
 Interior Material: Polycarbonate
 Processes: Polished / brushed plate, Electrophoresis, Stoved



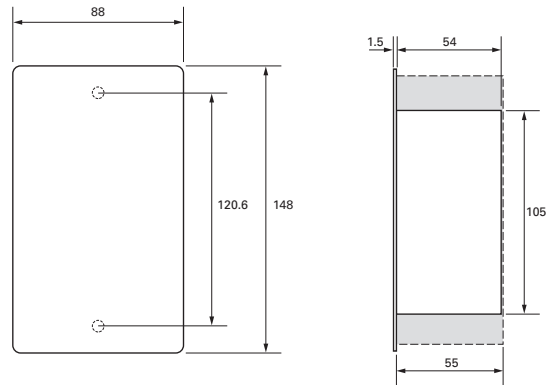
PLATINUM LOW PROFILE WHITE MOULDED PLATE

Back Box Size: 55mm (Recommended)
 Back Box Ref: SB628 (Flush Metal Box 47mm)
 Back Box Ref: SB631 (Dry Lining Box 47mm)
 Plate Material: Polycarbonate, 4.6mm deep detachable plate
 Interior Material: Polycarbonate
 Processes: Moulded



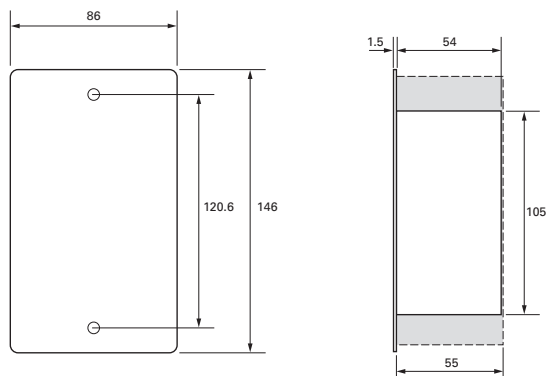
PLATINUM LOW PROFILE METAL PLATE

Back Box Size: 55mm (Recommended)
 Back Box Ref: SB628 (Flush Metal Box 47mm)
 Back Box Ref: SB631 (Dry Lining Box 47mm)
 Plate Material: Mild Steel, 1.5mm depth
 Interior Material: Polycarbonate
 Processes: Polished / brushed plate, Paint or Electrophoretically Lacquered, Stoved



PLATINUM FLAT METAL PLATE

Back Box Size: 55mm (Recommended)
 Back Box Ref: SB628 (Flush Metal Box 47mm)
 Back Box Ref: SB631 (Dry Lining Box 47mm)
 Plate Material: Mild Steel, 1.5mm depth
 Interior Material: Polycarbonate
 Processes: Polished / brushed plate, Electrophoretically Lacquered, Stoved



A POINT OF TESTING

When installations incorporating electronic devices of the semi conductor type are being tested, care must always be taken to ensure that they are not subjected to the output voltage of the insulation tester. However, dimmer switches complying with BS 5518 will not be damaged by the application of a normal 500V insulation resistance test. In all other cases where electronic items are fitted, they should be disconnected whilst the insulation of the installation is being tested. A notice, drawing to the attention to the fact that electronic devices are incorporated in the installation, should always be affixed at the intake position. This also applies to any neon indicators fitted.

DECORATIVE/ROCKERGRID GRID SWITCH



PRODUCT DESCRIPTION

Crabtree grid switches accommodates for all requirements in electrical lighting and control installations. All are complimented by the sharp and stylish rocker design which is maintained across all decorative ranges and trim options are available in black or white.

BRITISH STANDARDS

- All Crabtree grid switches have been type tested to BS EN 60669-1
- Switches for household and similar fixed-electrical installations

TECHNICAL SPECIFICATION

Product Standard:	BS EN 60669-1
Voltage:	250V AC 50Hz
Current Rating:	10AX (Fully Rated for Fluorescent loads) 20AX (Fully Rated for Fluorescent loads) 10AX Suitable for 100 watt LED Loads 20AX Suitable for 250 watt LED Loads
Cable Strip Length:	10mm
Ambient Temperature:	-5 to 40°C
Installation Altitude:	2000 metres
Other Marking Standards:	CE
Ingress Protection (IP) Rating:	IP4X (unless stated)
Recommended Torque Setting:	0.5Nm L,N, E Terminals
Lighting Compatibility:	Tungsten Filament Lamps Fluorescent Lamps GU10 or similar hispot Halogen bulbs LED
Terminal Capacity L & N:	4 x 1.0mm ² , 3 x 1.5mm ² , 1 x 2.5mm ²
Terminal Capacity E:	4 x 1.0mm ² , 3 x 1.5mm ² , 1 x 2.5mm ²

RANGE PORTFOLIO

MOULDED FOR GRID

Style:	Moulded
Finishes:	White / red / black / grey moulded rocker
Base finish:	White interior
Switch Type:	lighting / control
Switch Options:	10AX single pole- 1 way, 2 way, 10A retractive- marked press, bell symbol, 2 way and off 20AX single pole- 1 way, 2 way, intermediate, with key, marking options 20AX double pole- 1 way, 2 way, intermediate, with key, marking options
Printing:	Tampo Print & Indelible Laser marking
Accessories:	Fuse unit with link, blanking component, cord outlet, red/green/amber indicators

METAL FOR GRID

Style:	Metal rocker with trim, compatible with flat plate decorative accessories
Finishes:	Satin chrome, highly polished chrome, polished brass, stainless steel, polished stainless steel & bronze
Base finish:	White / black frame interior
Switch Type:	Lighting / Control
Switch Options:	10AX single pole- 1 way, 2 way, 10A retractive- marked press, bell symbol, 2 way and off 20AX single pole- 1 way, 2 way, intermediate, with key, marking options 20AX double pole- 1 way, 2 way, intermediate, with key, marking options
Printing:	Tampo Print & Indelible Laser marking
Accessories:	Fuse unit with link, blanking component, cord outlet, red/green/amber indicators

DECORATIVE/ROCKERGRID GRID SWITCH

DIMENSIONS (mm)

MOULDED FOR GRID

Back Box Size:	35mm (Recommended)
Back Box Ref:	1 gang SB615 (Flush Metal Box 35mm)
Back Box Ref:	SB619 (Dry Lining Box 35mm)
Rocker Material:	Thermoplastic (Polycarbonate)
Interior Material:	Thermoplastic (Polycarbonate)
Metal plate/moulded grid ref:	6901, 6902, 6903, 6904, 6906

METAL FOR GRID

Back Box Size:	35mm (Recommended)
Back Box Ref:	1 gang SB615 (Flush Metal Box 35mm)
Back Box Ref:	SB619 (Dry Lining Box 35mm)
Rocker Material:	Cast Zinc with appropriate metal finish
Interior Material:	Polycarbonate
Grid yoke ref:	6901, 6902, 6903, 6904, 6906

PLATINUM GRID

Back Box Size:	35mm (Recommended)
Back Box Ref:	1 gang SB615 (Flush Metal Box 35mm)
Back Box Ref:	SB619 (Dry Lining Box 35mm)
Rocker Material:	Cast Zinc with appropriate metal finish
Interior Material:	Polycarbonate
Grid yoke ref:	1901, 1902, 1903, 1904, 1906, 1908

RANGE PORTFOLIO

PLATINUM GRID

Style:	Metal rocker with and without trim, compatible with Platinum decorative accessories
Finishes:	Satin chrome, highly polished chrome, polished brass, stainless steel, polished stainless steel & black nickel
Base finish:	White / black frame interior
Switch Type:	Lighting / Control
Switch Options:	10AX single pole- 1 way, 2 way, 10A retractive- marked press, bell symbol, 2 way and off 20AX single pole- 1 way, 2 way, intermediate, with key, marking options 20AX double pole- 1 way, 2 way, intermediate, with key, marking options
Printing:	Tampo Print & Indelible Laser marking
Accessories:	Fuse unit with link, blanking component, cord outlet, red/green/amber indicators

A POINT OF TESTING

When installations incorporating electronic devices of the semi conductor type are being tested, care must always be taken to ensure that they are not subjected to the output voltage of the insulation tester. However, dimmer switches complying with BS 5518 will not be damaged by the application of a normal 500V insulation resistance test. In all other cases where electronic items are fitted, they should be disconnected whilst the insulation of the installation is being tested. A notice, drawing to the attention to the fact that electronic devices are incorporated in the installation, should always be affixed at the intake position. This also applies to any neon indicators fitted.



PRODUCT DESCRIPTION

Crabtree provides a variety of communication / data solutions in various assemblies. Options include dedicated monoblock outlets or flexible modular arrangements. These decorative assemblies are available in a wide range of finishes to suit all installations.

BRITISH STANDARDS

- All Crabtree Co-Axial Sockets have been type tested to BS 3041-7 -Radio-frequency connectors. R.F, Co-Axial connectors with inner diameter of output conductor 9.5mm with bayonet lock. Characteristic impedance 50 ohms (type C)
- Telephone Sockets- BS 7671 IET wiring regulations

TECHNICAL SPECIFICATION

Product Standard:	BS 3041-7, BS 7671
Voltage:	250V AC 50Hz
Current Rating:	1A 5V (USB module) 13A (sockets on multi media plate accessory)
Ambient Temperature:	-5 to 40°C
Installation Altitude:	2000 metres
Other Marking Standards:	CE
Ingress Protection (IP) Rating:	IP4X (unless stated)
Recommended Torque Setting:	0.5Nm L,N, E Terminals
Terminal Capacity:	1 x 9.5mm ² (co-axial) 6 x 0.4mm ² -0.68mm ² (telephone socket)

RANGE PORTFOLIO

Metal Plate

Plate Finishes:	Satin Chrome, Highly Polished Chrome, Bronze, Polished Brass, Stainless Steel & Polished Stainless Steel
Plate Types:	1 & 2 Gang communication plates for up to 4 euro/modular size interiors + 267mm x 207mm multi medial plate
Module Variants:	communication, data / co-axial & blank / accessories
Printing:	Tampo Print & Indelible Laser marking
Back Box Ref:	SB655 (25mm flush steel box, for most installations we recommend a depth of 25mm unless stated otherwise)
Back Box Ref:	SB619 (35mm dry lining box, for most installations we recommend a depth of 25mm unless stated otherwise)
Plate Material:	Mild steel, 8.5mm depth
Plate Processes:	Polished / brushed plate, Electrophoresis, Stoved

Platinum Low Profile

Plate Finishes:	Satin Chrome, Highly Polished Chrome, Polished Brass, Black Nickel & White Moulded
Plate Types:	1 & 2 Gang communication plates for up to 4 euro/modular size interiors
Module Variants:	communication, data / co-axial & blank / accessories
Printing:	Tampo Print & Indelible Laser marking
Back Box Ref:	SB655 (25mm flush steel box, for most installations we recommend a depth of 25mm unless stated otherwise)
Back Box Ref:	SB619 (35mm dry lining box, for most installations we recommend a depth of 25mm unless stated otherwise)
Plate Material:	Polycarbonate (4.6mm depth) or mild steel frames for data/communication modules
Plate Processes (steel):	Polished / brushed plate, Paint or Electrochemically Laquered, Stoved

Platinum Flat Plate

Plate Finishes:	Polished Brass, Stainless Steel & Polished Stainless Steel
Plate Types:	1 & 2 Gang communication plates for up to 4 euro/modular size interiors
Module Variants:	communication, data / co-axial & blank / accessories
Printing:	Tampo Print & Indelible Laser marking
Back Box Ref:	SB655 (25mm flush steel box, for most installations we recommend a depth of 25mm unless stated otherwise)
Back Box Ref:	SB619 (35mm dry lining box, for most installations we recommend a depth of 25mm unless stated otherwise)
Plate Material:	Mild steel (1.5mm depth) frames for data/communication modules
Plate Processes:	Polished / brushed plate, Electrochemically Laquered, Stoved

TELEPHONE SOCKETS

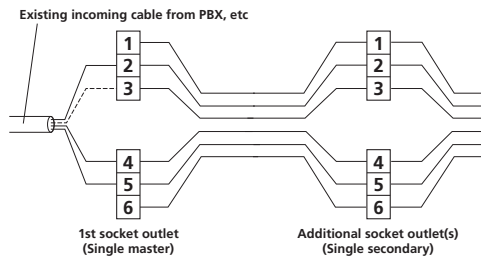
Wiring Diagrams

Example of typical connections:

- 1 Connections to 2 & 5
- 2 Earth recall (when used) connect to terminal 4
- 3 Connection to terminal 3 is not usually required

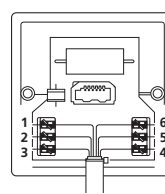
NB (a) Standard 4 wire cable is shown below as incoming cable. If terminals 1 and 6 (normally unused) are required, 6 wire cable may be used.

- (b) All socket outlet connections are in parallel – any number of socket outlets can be connected, but it is recommended that only a maximum of 5 telephones be used at any one time on one line.

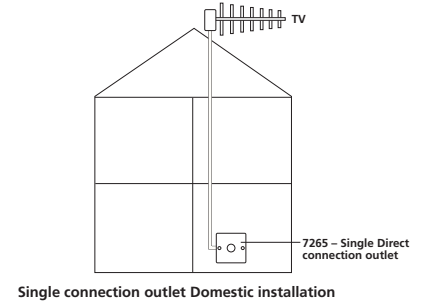


Wiring Colour Code

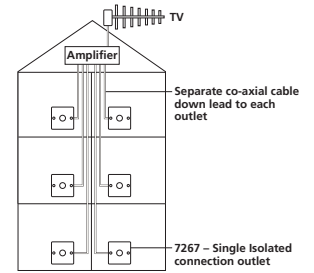
Pin Number	Base colour/stripe
1	Green/White
2	Blue/White
3	Orange/White
4	White/Orange
5	White/Blue
6	White/Green



CO-AXIAL SOCKETS

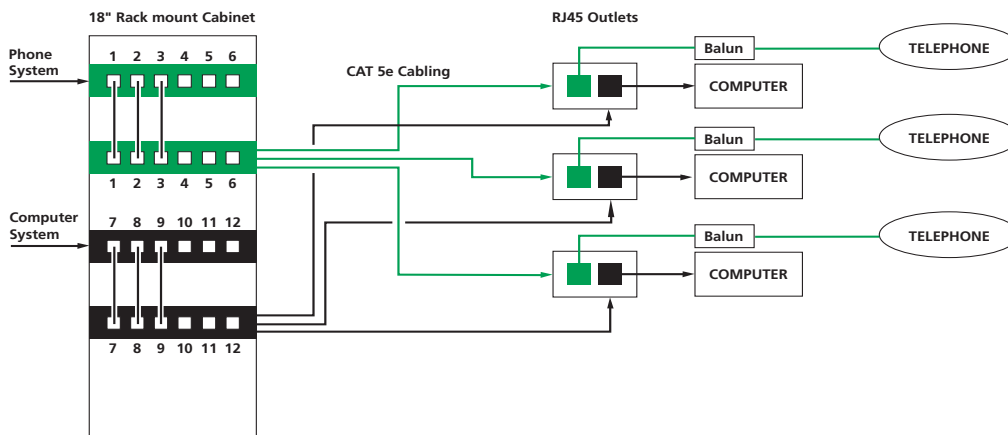


Single connection outlet Domestic installation



Co-axial outlet installation Communal aerial system eg flats, hotels etc

DATAPAK TYPICAL USE OF PATCH PANELS, PATCH LEADS & DATA OUTLETS



TELECOM MODULES

Master voice module - BT 601 master, IDC connectors (Krone style), Capacitor, lightning protection, resistor

PABX voice module - IDC connectors, Capacitor, no lightning protection, (resistor optional)

Secondary voice module - IDC connectors
Master voice module (left handed) - BT 601 master, IDC connectors, Capacitor, lightning protection, resistor, accepts left handed plug

BAND WIDTH/CAT NETWORK DATA SPEED

Cat 4 - 20Mhz	16Mbps
Cat 5 - 100Mhz	100Mbps
Cat 5e - 160Mhz	1Gbps
Cat 6 - 250Mhz	1Gbps
Cat 6A - 500Mhz	10Gbps
Cat7 - 600Mhz	> 10Gbps

DATA MODULES

RJ45 Cat 5e - IDC connector blocks, Colour coding - socket/cable/patch panel, tie wrap facility, use as socket on ISDN system, multiple sockets "daisy-chained"

ISDN Terminated (blue shutter) - RJ45 socket with 100 ohm resistor between pins 4 & 5 and one between pins 3 & 6, Ratio 8:1 use

RJ11/12 - classified as data outlet, but used as telecom socket in Eire & USA, no capacitor accepts 6p6c plug (RJ12) and 6p4c plug (RJ11)

MEDIA MODULES AND ACCESSORIES

Triplex unit - TV/SAT/FM splitter. One cable in, carrying combined signals, splits signal back into 3 parts. Each socket is screened, reducing susceptibility to noise distortion thus improving picture reception. 50mm x 50mm (double mod size)

Quad plexer unit - TV/FM/SAT 1/SAT 2. One cable in carrying combined signals, splits back into 3 parts. SAT 2 has a separate satellite output, for use with sky + and more complex installations. Each socket is screened, reducing susceptibility to noise disturbance thus improving picture reception. 50mm x 50mm (double med size).

USB unit - Dual USB 2 x 1A 5V - Accepts 3 x 2.5mm² in the power terminals

TV return - Screened TV module, used in conjunction with a distribution amplifier to distribute signals to other rooms

BNC (female) - Accepts BNC male plug, 50 ohm or 70 ohm, as found on coaxial data systems (RG58, Ethernet) and CCTV installations

A POINT OF TESTING

When installations incorporating electronic devices of the semi conductor type are being tested, care must always be taken to ensure that they are not subjected to the output voltage of the insulation tester. However, dimmer switches complying with BS 5518 will not be damaged by the application of a normal 500V insulation resistance test. In all other cases where electronic items are fitted, they should be disconnected whilst the insulation of the installation is being tested. A notice, drawing to the attention to the fact that electronic devices are incorporated in the installation, should always be affixed at the intake position. This also applies to any neon indicators fitted.



PRODUCT DESCRIPTION

Crabtree Metalclad was created with toughness, strength and functionality in mind. Its robust design, birch grey powder painted exterior and constructive features make it a perfect solution for hardwearing installations such as industrial buildings with the capability of resisting impact and deterioration. The range extends to a large selection of products to ensure this offering suits all requirements.

BRITISH STANDARDS

- BS 7671 Requirements for electrical installation. IET Wiring regulations 17th edition
- BSEN 60669-1 Switches for household and similar fixed electrical installation
- BS 1363-2 13A plugs, socket-outlets, adaptors and connection units. Specification for 13A switched and unswitched socket-outlets
- BS 1363-4 13A Plugs, socket-outlets, adaptors and connection units. Specification for 13A fused connection units switched and unswitched
- BS 5733 General requirements for electrical accessories
- BS 546 Requirements for plugs, made substantially of rubber or other suitable resilient material, which are not included in BS 546 but which comply with it in other respects
- BSEN 60947-3 Low voltage switchgear and controlgear. Switches, disconnectors, switch disconnectors and fuse combination units

TECHNICAL SPECIFICATION

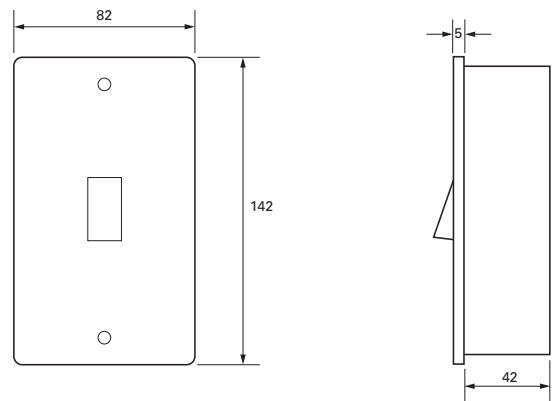
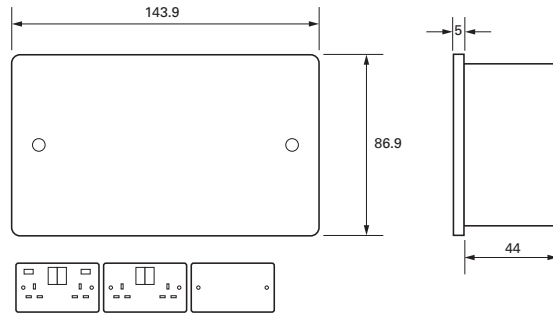
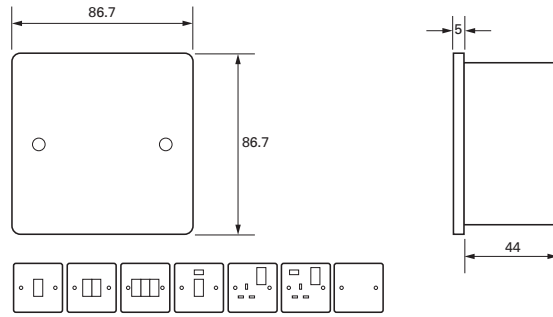
Product Standard:	BS 1363-2, BS 1363-4, BS EN 60669-1
Voltage:	250V AC 50Hz
Current Rating:	5A, 15A & 13A (socket outlets & FCU) 10AX (switches) 6A, 20A, 32A & 50A (control switches) 10AX Suitable for 100 watt LED Loads
Ingress Protection (IP) Rating:	IP2X Socket Outlets, IP4X Switches (unless stated)
Ambient Temperature:	-5 to 40°C
Installation Altitude:	2000 metres
LRV Rating:	34 (approx.)
Other Marking Standards:	CE
Lighting Compatibility:	Tungsten Filament Lamps Fluorescent Lamps GU10 or similar hispot Halogen bulbs LED
Terminal Capacity L & N:	3 x 2.5mm ² , 2 x 4mm ²
Terminal Capacity E:	3 x 2.5mm ² , 2 x 4mm ²

RANGE PORTFOLIO

Metalclad

Products:	1-3 Gang 2 way 10AX switches 1-2 Gang SP/DP switched/unswitched sockets 13A switched/unswitched FCU DP/TP control switches
Finishes:	Birch Grey, powder coated on front metal plate & back
Paint Spec:	Iron Phosphate epoxy polyester giving a durable metalclad finish
Types:	1 & 2 Gang standard module sizes for lighting, power & control accessories.
Printing:	Tampo Print & Indelible Laser marking
Back Box Ref 1 Gang:	Surface back box comes with product, with or without knockouts
Back Box Ref 2 Gang:	Surface back box comes with product, with or without knockouts
Base Material:	Mild Steel, grade CR6, thickness 1.0 mm
Front Moulding Material:	Polycarbonate Resin, Medium Viscosity, Superiorly flame retardant & UV-Stabilised

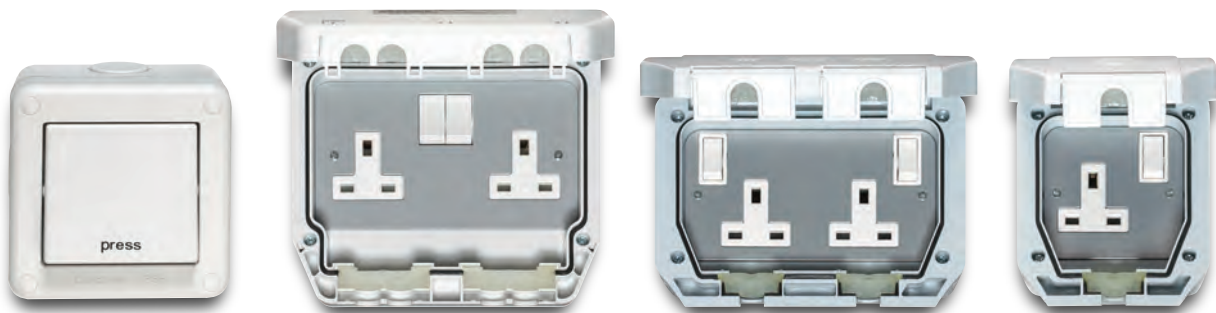
DIMENSIONS (mm)



50A DP Switch

A POINT OF TESTING

When installations incorporating electronic devices of the semi conductor type are being tested, care must always be taken to ensure that they are not subjected to the output voltage of the insulation tester. However, dimmer switches complying with BS 5518 will not be damaged by the application of a normal 500V insulation resistance test. In all other cases where electronic items are fitted, they should be disconnected whilst the insulation of the installation is being tested. A notice, drawing to the attention to the fact that electronic devices are incorporated in the installation, should always be affixed at the intake position. This also applies to any neon indicators fitted.



PRODUCT DESCRIPTION

Crabtree Weatherseal accessories are a safe, effective and innovative addition to the outdoor environment. All have been tested to British Standards and their specialist design maintains product IP rating even when in operation. Enclosure lids are automatically retained in the open position for ease of use and can be pushed firmly to click in place to provide optimal water protection.

BRITISH STANDARDS

- All Crabtree 13A Weatherseal Sockets have been type tested to BS 1363-2
- All Crabtree Weatherseal (including grid) Switches have been type tested to BS EN 60669-1
- All Crabtree Weatherseal FCUs have been type tested to BS 1363-4

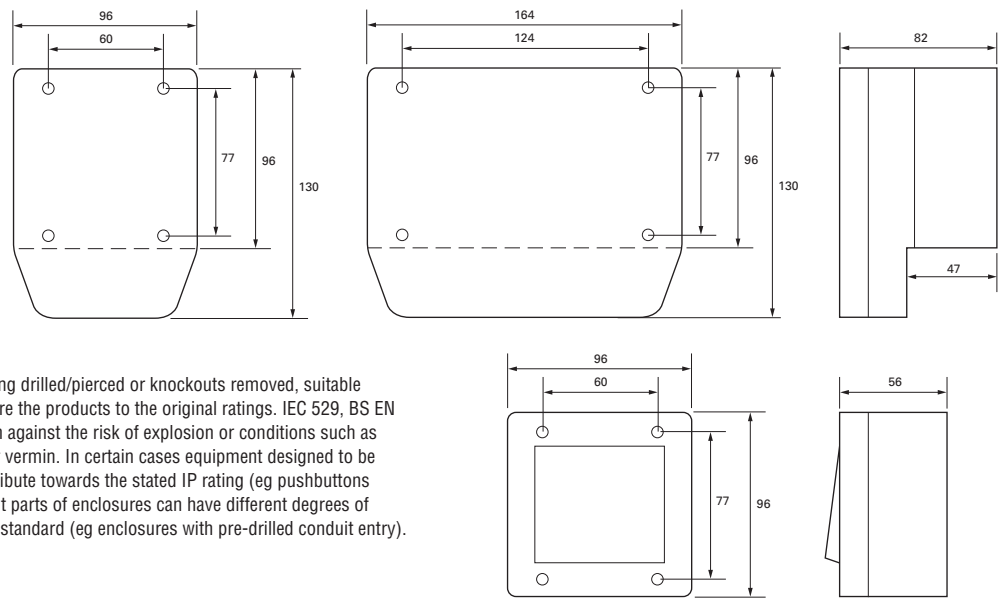
TECHNICAL SPECIFICATION

Product Standard:	BS 1363-2, BS 1363-4, BS EN 60669-1
Voltage:	250V AC 50Hz
Current Rating:	13 Amps (socket outlets & FCU) 10AX (grid) 20AX (switches & grid) 10A (grid) 20A (switches & grid) 10AX Suitable for 100 watt LED Loads 20AX Suitable for 250 watt LED Loads
Cable Strip Length:	10mm
Ambient Temperature:	-5 to 40°C
Installation Altitude:	2000 metres
Other Marking Standards:	CE
Recommended Torque Setting:	0.5Nm L,N, E Terminals
Terminal Capacity L & N:	3 x 2.5mm ² , 2 x 4mm ²
Terminal Capacity E:	3 x 2.5mm ² , 2 x 4mm ²

RANGE PORTFOLIO

Product:	1-2 Gang 2 way switches	
	1-2 Gang DP sockets	
	13A FCU	
IP Rating:	IP56 (IP66 available for socket outlets)	
Printing:	Product marking service available on request	
Material:	ASA - Acylate Styrene Acrylonitrile	
Accessories:	Enclosure for grid	1 Gang 9731 2 Gang 9732 3 Gang 9733 4 Gang 9734
	Enclosure for data	1 Gang 2 modules 9722 2 Gang 4 modules 9724

DIMENSIONS (mm)



NOTE

In the event of additional holes being drilled/pierced or knockouts removed, suitable measures should be taken to restore the products to the original ratings. IEC 529, BS EN 60529 does not apply to protection against the risk of explosion or conditions such as humidity, corrosive gases, fungi or vermin. In certain cases equipment designed to be mounted in an enclosure will contribute towards the stated IP rating (eg pushbuttons mounted in an enclosure). Different parts of enclosures can have different degrees of protection and still conform to the standard (eg enclosures with pre-drilled conduit entry).

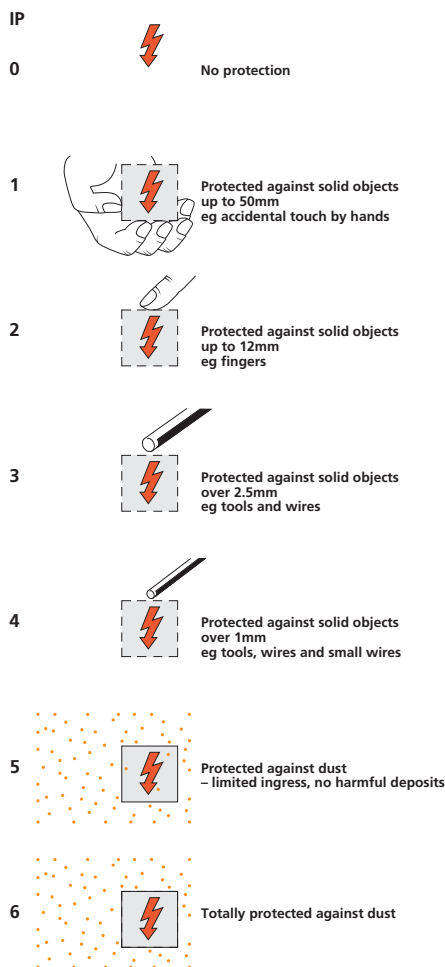
IP RATINGS

FIRST DIGIT

Protection against solid foreign objects and access to hazardous parts

The first digit covers protection against penetration by solid objects, which includes hands and tools such as screwdrivers. At the lowest of seven levels, 0, no protection is offered, either of the equipment itself from damage by intrusion or of a person contacting live or moving parts. At the highest, 6, there shall be no entry of dust.

The letter X can be used in place of the first or second digit to indicate that tests have either not been made or are not applicable.

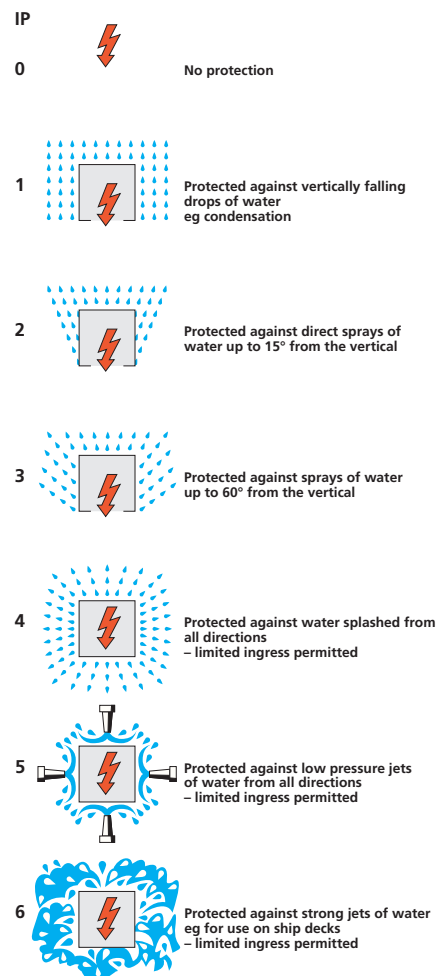


SECOND DIGIT

Protection against ingress of water

The second digit covers the degree of protection against the entry of water, on a progressive scale. For example, number 1 indicates that dripping water shall have no harmful effect, and number 6, that water projected in powerful jets against the enclosure from any direction shall have no harmful effects.

The letter X can be used in place of the first or second digit to indicate that tests have either not been made or are not applicable.



A POINT OF TESTING

When installations incorporating electronic devices of the semi conductor type are being tested, care must always be taken to ensure that they are not subjected to the output voltage of the insulation tester. However, dimmer switches complying with BS 5518 will not be damaged by the application of a normal 500V insulation resistance test. In all other cases where electronic items are fitted, they should be disconnected whilst the insulation of the installation is being tested. A notice, drawing to the attention to the fact that electronic devices are incorporated in the installation, should always be affixed at the intake position. This also applies to any neon indicators fitted.

FOR BIM INFORMATION PLEASE CONTACT
CRABTREE TECHNICAL ON 01543 438310 or
crabtree.technical@electrium.co.uk



PRODUCT DESCRIPTION

Crabtree Rockergrid provides the design versatility of a modular switch range whilst incorporating the patented and consistent styling with many benefits. The range covers both flush and surface assemblies available in a number of finishes.

TECHNICAL SPECIFICATION

Style: Moulded Grid
 Finishes: White / grey moulded
 Options: Flush, surface
 Grid from 1-6 Gang, 1-2 gang architrave
 Modular from 1-2 Gang (2-4 module sizes)
 Printing: Tampo Print & Indelible Laser marking on grid rockers
 Plate material spec: Urea Formaldehyde

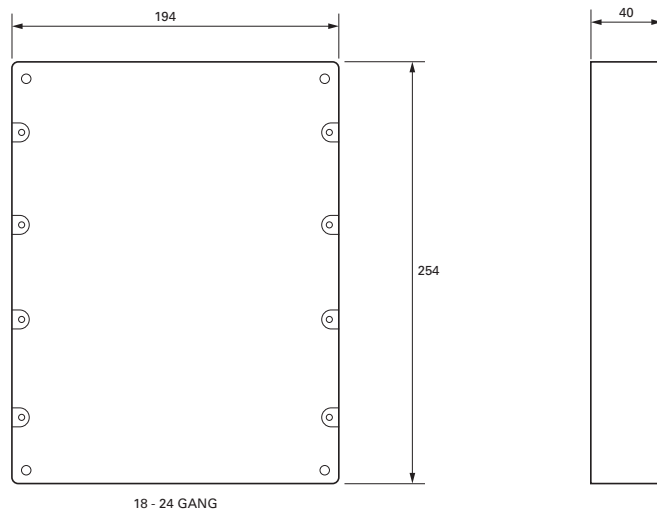
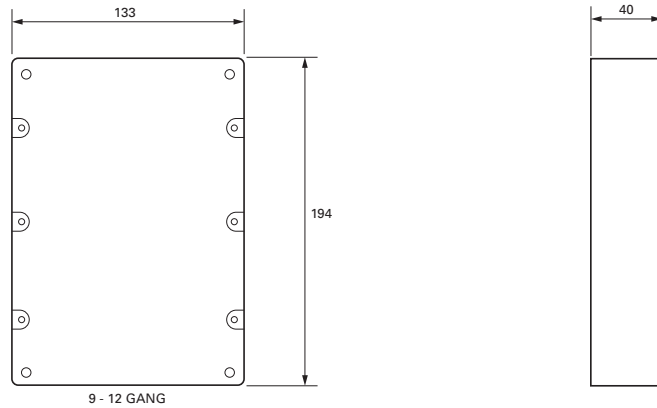
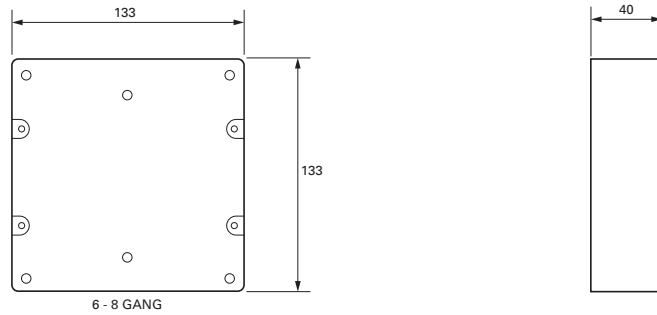
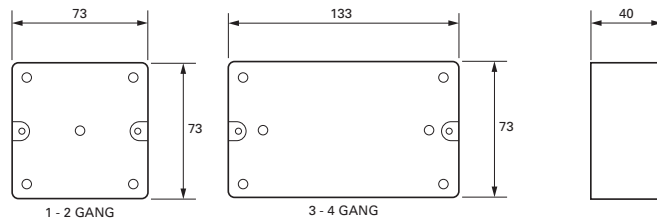
Style: Metal Grid
 Finishes: Satin chrome, bronze, highly polished chrome, polished brass, polished stainless steel & white
 Options: Flush, surface
 Grid from 1-4 Gang, 6, 8, 9, 12, 18 & 24 gang, 1-2 gang architrave
 Modular from 1-2 Gang (2-4 module sizes)
 Printing: Tampo Print & Indelible Laser marking on grid rockers
 Plate material spec: Polished / brushed plate, Electrophoresis, Stoved

Flush mount grid	Plate size (h x w)	Plate depth	Grid Rows
1 Gang Architrave	86mm x 35mm	6.6mm	1
2 Gang Architrave	146mm x 35mm	6.6mm	2
1-2 Gang	86mm x 86mm	6.6mm	1
3-4 Gang	86mm x 146mm	6.6mm	1
6-8 Gang	147mm x 147mm	6.6mm	2
9-12 Gang	207mm x 147mm	6.6mm	3
18-24 Gang	267mm x 207mm	6.6mm	4

Surface mount grid	Plate size (h x w)	Plate depth	Grid Rows
1-2 Gang	77mm x 77mm	6.6mm	1
3-4 Gang	77mm x 137mm	6.6mm	1
6-8 Gang	137mm x 137mm	6.6mm	2
9-12 Gang	197mm x 137mm	6.6mm	3
18-24 Gang	257mm x 197mm	6.6mm	4

INSTALLATION BACK BOX DIMENSIONS

DIMENSIONS (mm)



A POINT OF TESTING

When installations incorporating electronic devices of the semi conductor type are being tested, care must always be taken to ensure that they are not subjected to the output voltage of the insulation tester. However, dimmer switches complying with BS 5518 will not be damaged by the application of a normal 500V insulation resistance test. In all other cases where electronic items are fitted, they should be disconnected whilst the insulation of the installation is being tested. A notice, drawing to the attention to the fact that electronic devices are incorporated in the installation, should always be affixed at the intake position. This also applies to any neon indicators fitted.

CEILING PULL CORD SWITCH



BRITISH STANDARDS

- All Crabtree Ceiling Pull Cord Switches have been type tested to BS EN 60669-1 Switches for household and similar fixed electrical installation

TECHNICAL SPECIFICATION

Product Standard:	BS EN 60669-1, BS 60670-22
Voltage:	250V AC 50Hz
Current Rating:	6AX, 16A & 50A (pull cord switch) 20A & 32A (junction box)
Ingress Protection (IP) Rating:	IP4X (unless stated)
Other Marking Standards:	CE
Lighting Compatibility:	Tungsten Filament Lamps Fluorescent Lamps GU10 or similar hispot Halogen bulbs LED

RANGE PORTFOLIO

White Moulded Ceiling Pull Cord Switch

Style:	White moulded
Finish:	White
Material Spec:	front and cover pattress - Urea Formaldehyde
Options:	6AX single pole, 1 way 2 way & retractive switching 16A single pole 2 way, double pole 1 way with neon indicator 50A double pole 1 way with neon and mechanical indicator
Printing:	printing options are available on request, please contact technical services or your local sales engineer
Back Box Ref:	SB639 (35mm circular dry lining back box)

Junction Box

Style:	White moulded
Finish:	White / black
Material Spec:	front and cover pattress - Urea Formaldehyde
Options:	20A three terminal white / black 30A three terminal white / black
Printing:	printing options are available on request, please contact technical services or your local sales engineer
Back Box Ref:	SB639 (35mm circular dry lining back box)

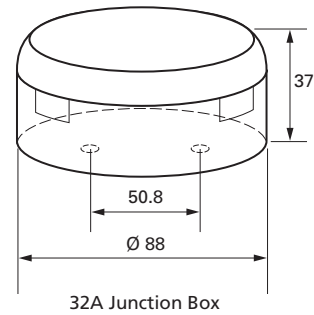
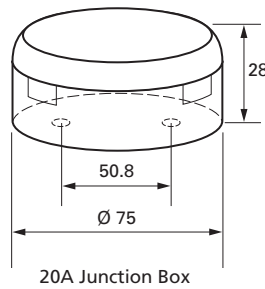
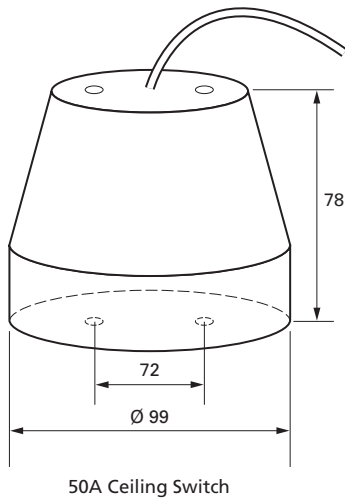
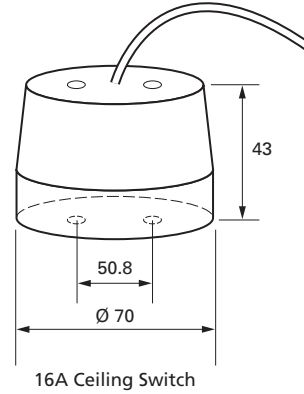
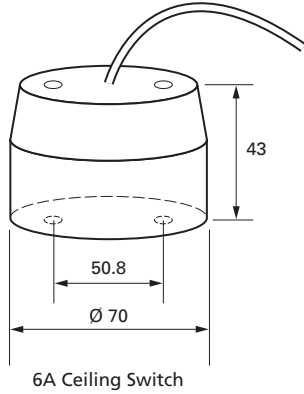
Metal Plate Ceiling Pull Cord Switch

Style:	Decorative
Finish:	Highly Polished Chrome
Material Spec:	Metal capped cover pattress
Options:	50A, double pole, neon & mechanical indicator
Printing:	printing options are available on request, please contact technical services or your local sales engineer
Back Box Ref:	SB639 (35mm circular dry lining back box)

CEILING PULL CORD SWITCH

DIMENSIONS (mm)

Ceiling Mount -Dimensions



A POINT OF TESTING

When installations incorporating electronic devices of the semi conductor type are being tested, care must always be taken to ensure that they are not subjected to the output voltage of the insulation tester. However, dimmer switches complying with BS 5518 will not be damaged by the application of a normal 500V insulation resistance test. In all other cases where electronic items are fitted, they should be disconnected whilst the insulation of the installation is being tested. A notice, drawing to the attention to the fact that electronic devices are incorporated in the installation, should always be affixed at the intake position. This also applies to any neon indicators fitted.



BRITISH STANDARDS

- All Crabtree Ceiling Rose products have been type tested to BS 67

TECHNICAL SPECIFICATION

Product Standard:	BS 67
Voltage:	250V AC 50Hz
Ambient Temperature:	-5 to 40°C
Installation Altitude:	2000 metres
Other Marking Standards:	CE
Recommended Torque Setting:	0.5Nm L,N, E Terminals
Compatibility:	Service loads up to 2.5kg (safety) Service loads up to 15kg (Heavy duty) Fitted integral terminal block (standard)
Terminal Capacity:	1 x 1.5mm ² Terminals for live, neutral, loop in and protective earth

RANGE PORTFOLIO

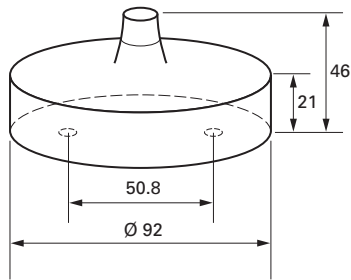
White Moulded

Ceiling Rose

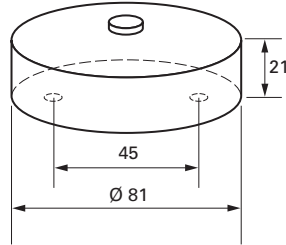
Style:	White moulded
Finish:	White
Material Spec:	Urea Formaldehyde
Options:	Standard, heavy duty, safety Ceiling Halo

DIMENSIONS (mm)

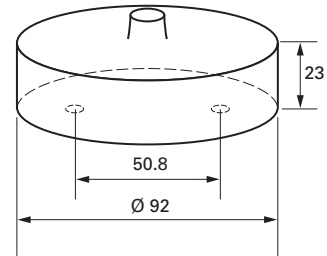
Ceiling Mount -Dimensions



Safety Ceiling Rose



Heavy Duty Ceiling Rose



Standard Ceiling Rose

A POINT OF TESTING

When installations incorporating electronic devices of the semi conductor type are being tested, care must always be taken to ensure that they are not subjected to the output voltage of the insulation tester. However, dimmer switches complying with BS 5518 will not be damaged by the application of a normal 500V insulation resistance test. In all other cases where electronic items are fitted, they should be disconnected whilst the insulation of the installation is being tested. A notice, drawing to the attention to the fact that electronic devices are incorporated in the installation, should always be affixed at the intake position. This also applies to any neon indicators fitted.



PRODUCT DESCRIPTION

Safety Pendant Lamp Holder (5850) - wipe clean contacts, avoid lamp seizure to pins making safe and easy lamp replacement.

Safety Batten Lamp Holder (5851) - wipe clean contacts, avoid lamp seizure to pins making safe and easy lamp replacement

Batten Lampholder has terminals for live, neutral, loop in and protective earth.

Standard Batten Holder (3410, 3420, 3422) - non rising terminals, non stick skirt.

BRITISH STANDARDS

- All Crabtree Lamp Holders and Batten Lampholders are all type tested to BS EN 61184

TECHNICAL SPECIFICATION

Product Standard:	BS EN 61184
Voltage:	250V AC 50Hz
Current Rating:	T2
Ambient Temperature:	-5 to 40°C
Installation Altitude:	2000 meters
Other Marking Standards:	CE
Recommended Torque Setting:	0.5Nm L,N, E Terminals
Lighting Compatibility:	Tungsten Filament Lamps Fluorescent Lamps GU10 or similar hispot Halogen bulbs LED
Terminal Capacity:	1 x 1.5mm ²

RANGE PORTFOLIO

White Moulded Pendant Lamp Holders

Style:	White moulded
Finish:	White
Material Spec:	Thermoplastic (Polycarbonate)
Options:	safety with 6", 9" or 12" cord low energy compact fluorescent with 6" cord Safety heavy duty with 6" cord Standard pendant sets & lamp holders

White Moulded Batten Lamp Holders

Style:	White moulded
Finish:	White
Material Spec:	Thermoplastic (Polycarbonate)
Options:	safety batten, home office shield standard straight / angled batten, 3 terminal direct wiring, integral terminal block short skirt Standard pendant sets & lamp holders

Ceiling Assemblies

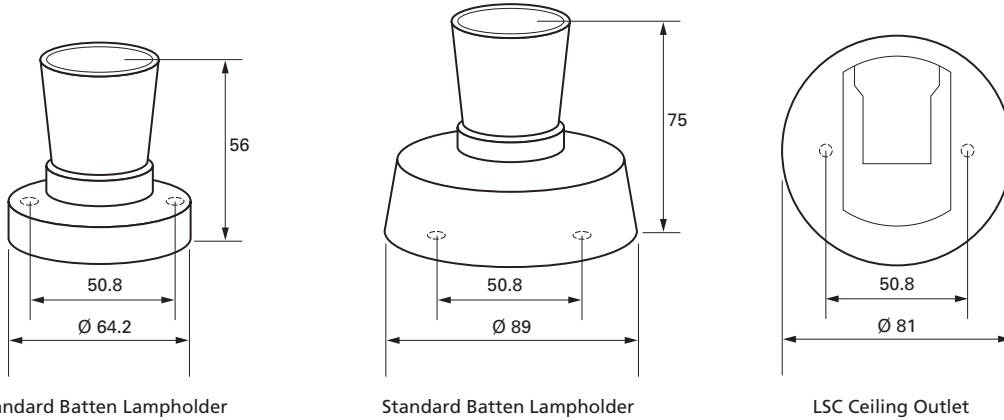
Style:	White moulded
Finish:	White
Material Spec:	Thermoplastic (Polycarbonate)
Options:	3 Pin 4 Pin
Printing:	printing options are available on request, please contact technical services or your local sales engineer
Back Box Ref:	5005 (LSC Surface pattress)

Ceiling Outlets

Style:	White moulded
Finish:	White
Material Spec:	Thermoplastic (Polycarbonate)
Options:	3 pin / 4 pin outlet
Printing:	printing options are available on request, please contact technical services or your local sales engineer
Back Box Ref:	5005 (LSC Surface pattress)

DIMENSIONS (mm)

Lampholder -Dimensions



A POINT OF TESTING

When installations incorporating electronic devices of the semi conductor type are being tested, care must always be taken to ensure that they are not subjected to the output voltage of the insulation tester. However, dimmer switches complying with BS 5518 will not be damaged by the application of a normal 500V insulation resistance test. In all other cases where electronic items are fitted, they should be disconnected whilst the insulation of the installation is being tested. A notice, drawing to the attention to the fact that electronic devices are incorporated in the installation, should always be affixed at the intake position. This also applies to any neon indicators fitted.

LUMINAIRE SUPPORT COUPLER (LSC)



PRODUCT DESCRIPTION

The LSC forms an integral part of design installations for many major projects. In new installations, the specifier may choose LSC's to offer a versatile lighting system. However, in projects where refurbishment is being undertaken this system is seen as an ideal cost effective solution where hard wiring may be in place.

BRITISH STANDARDS

- All Crabtree Luminaire Support Couplers have been type tested to BS 7001 & BS 5773

TECHNICAL SPECIFICATION

Product Standard:	BS 7001 & BS 5773
Voltage:	250V AC 50Hz
Current Rating:	T2
Ingress Protection (IP) Rating:	IP4X (unless stated)
Ambient Temperature:	-5 to 40°C
Installation Altitude:	2000 metres
Other Marking Standards:	CE
Recommended Torque Setting:	0.5Nm L,N, E Terminals
Compatibility:	static load 5kg ceiling assemblies supplied as socket outlet, LSC plug & cover

RANGE PORTFOLIO

White Moulded LSC Plugs

Style:	White moulded
Finish:	White / red cover on 4 pin LSC as standard
Material Spec:	Thermoplastic (Polycarbonate)
Options:	3 Pin, 4 pin with 2m / 3m / 4m HR cable
Back Box Ref:	5005 (LSC Surface pattress)

Luminaire Distribution Box (LDB)

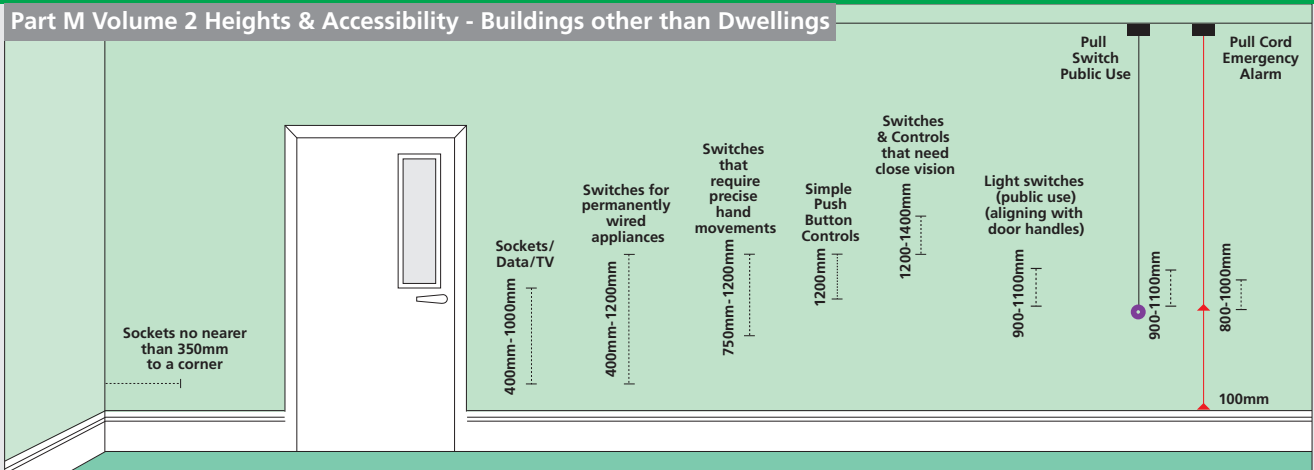
Style:	White moulded
Finish:	White pin assembly
Material Spec:	Mild steel fabricated enclosure
Options:	4 pin 6 way 4 pin 8 way 4 pin 10 way

Features:

- internal connections are made to a terminal block for ease of wiring
- sufficient side and rear knockouts allow entries for cable or conduit
- raised mounting feet allow for installation on uneven surfaces

A POINT OF TESTING

When installations incorporating electronic devices of the semi conductor type are being tested, care must always be taken to ensure that they are not subjected to the output voltage of the insulation tester. However, dimmer switches complying with BS 5518 will not be damaged by the application of a normal 500V insulation resistance test. In all other cases where electronic items are fitted, they should be disconnected whilst the insulation of the installation is being tested. A notice, drawing to the attention to the fact that electronic devices are incorporated in the installation, should always be affixed at the intake position. This also applies to any neon indicators fitted.



BUILDING REGULATIONS APPROVED DOCUMENTS PART M ACCESS TO AND THE USE OF BUILDINGS - 2015/2016.

Part M was updated in 2015 - it was divided into:

- Volume 1 Dwellings
- Volume 2 Buildings other than dwellings

There are a number of considerations that need to be met by the designer of the installation when covering reasonable provision for the access to and use of buildings.

Part M compliance in wiring accessory installation is acted in accordance to 4 key principles - height, visibility, operation & freedom from obstruction.

Some parts of Part M are optional depending on planning permission and conditions imposed.

NB - Common areas in mixed use development containing both domestic and non domestic functions should meet the requirements for non domestic buildings in Approved document M: Volume 2.

HEIGHT

Part M prescribes the ranges of fixing height for wiring accessories in the different types of buildings described in volume 1 and volume 2. These drawings illustrate those height of locations.

VISIBILITY

Front plates on accessories should have a distinctive colour finish in comparison with their installation backgrounds.

Mains and circuit isolator switches should have clear indication of their operational status (on/off).

Switched socket outlets should have clear indication of their operational status (on/off).

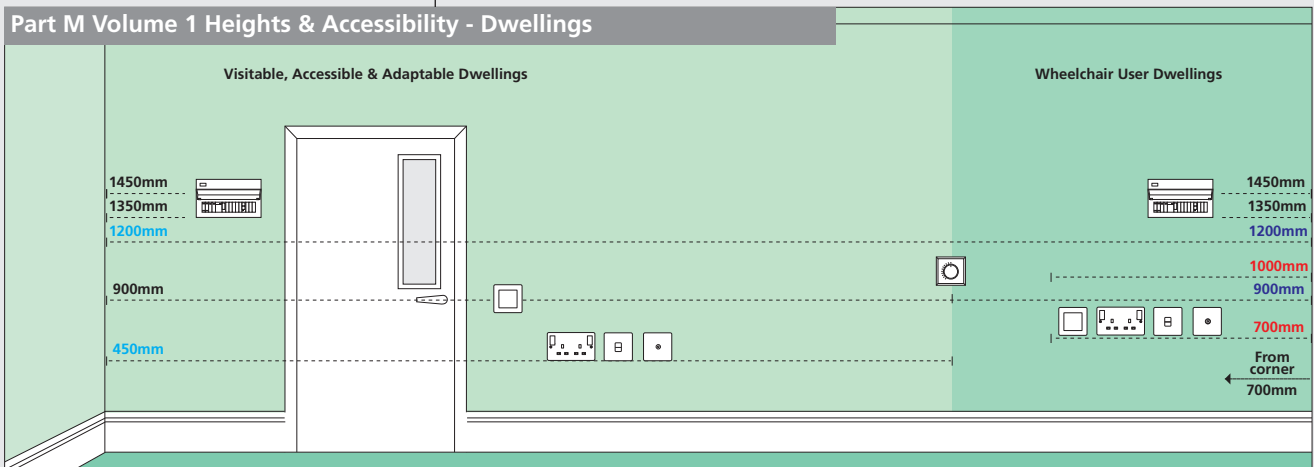
OPERATION

Light switches that are to be used by the general public are encouraged to have large rockers at a height corresponding to the door handle, within the 900 - 1100mm range. This would enable people with a physical disability or visual impairment to both locate and activate them with ease.

FREEDOM FROM OBSTRUCTION

Light & control switches should be 'well separated' (or activated by a large push pad) to prevent inadvertent operation. The operation of switches, outlets and controls does not require the simultaneous use of both hands, except where this mode of operation is necessary for safety reasons.

	Plate Finish	Approx. LRV
	WHITE	74
	GREY	8
	METALCLAD	34
	BLUE	20
	RED	14



For guidance only - please refer to Part M Volume 1 and Volume 2 for full design information.

CRABTREE PRODUCT SOLUTIONS

Instinct Moulded: Offering the largest provision of Part M accessories in the industry, superior in functionality and style. Also backed with a new design of grid assemblies and modular solutions.



Grid assemblies



Seeklight: To assist in its location in the dark, a surrounding LED seeklight turns on when the switch is off. This accessory fits all Crabtree single gang size switches.



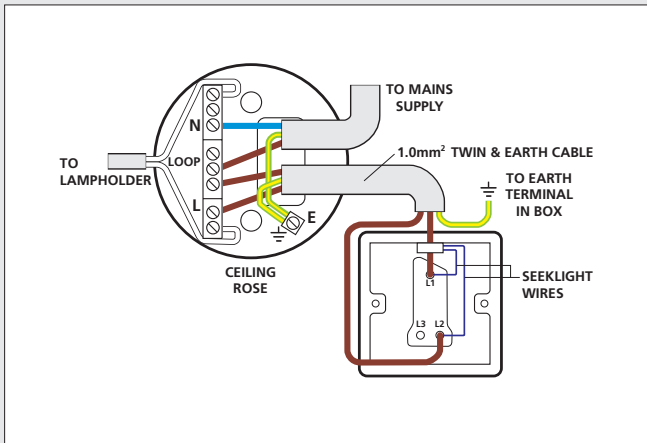
SEEKLIGHT ACCESSORY

1. Before commencing work switch off the power supply by removing the fuse in the fuse box, or should isolate at main switch as neutral is a live conductor.
2. Connect seeklight wires as shown in diagrams below. Ensure terminal screws are properly tightened and no bare wire is visible. Push back unit into mounting box making sure conductors are not trapped.
3. Screw the unit to the mounting box.

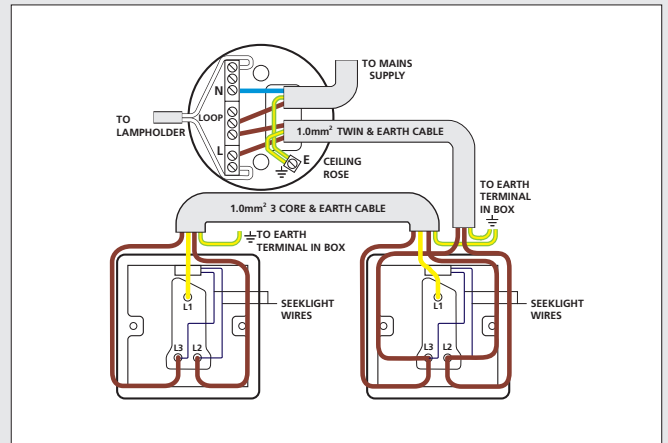
4. Note: With the standard wiring configurations as described in the diagrams the Seeklight will only illuminate when the light it controls is off.
5. These products must be installed in accordance with the latest Building and IET wiring regulations. If in any doubt, please contact a qualified electrician

PLEASE NOTE The LED 'Seeklight' must be disconnected when carrying out insulation testing to avoid a false reading

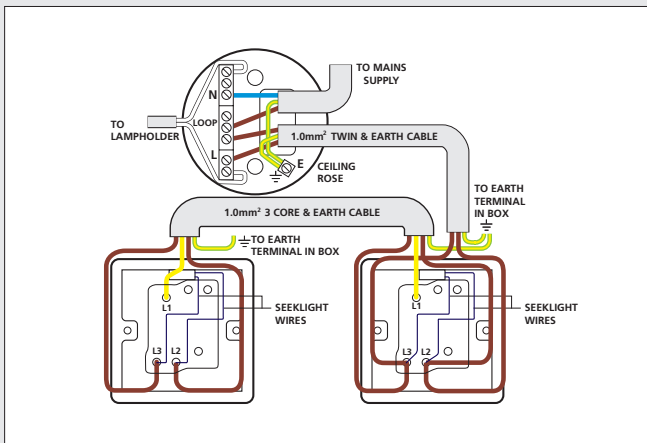
1 Gang 1 Way 10AX Switch with Seeklight



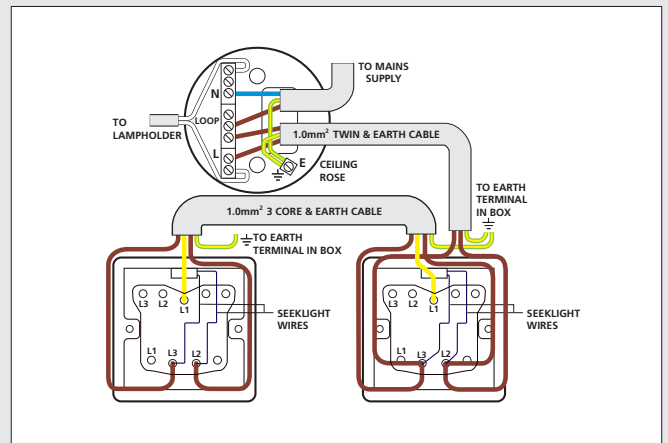
1 Gang 2 Way 10AX Switch with Seeklight



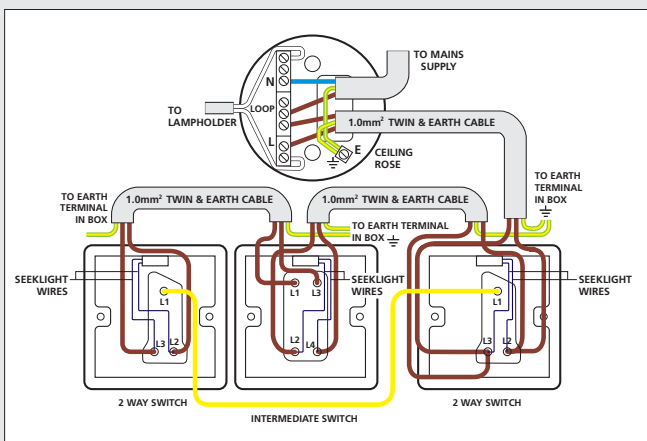
2 Gang 2 Way 10AX Switch with Seeklight



3 Gang 2 Way 10AX Switch with Seeklight



10AX Intermediate Switch with Seeklight



BS 7671:2008 SECTION 710 MEDICAL LOCATIONS

710 Medical Locations:

It is intended to be used by healthcare organisations and medical device suppliers responsible for permanent electrical installation of medical devices and associated equipment. The section covers electrical wiring and installation up to the terminals of permanently installed medical devices and to the supply outlets in new buildings, refurbished or upgraded rooms.

Section 710 requirements:

710.553.1 states socket outlets intended to supply ME equipment shall be unswitched. The Isolated Power Supply (IPS) is required to increase the supply resilience by reducing the impact of the first fault conditions downstream of the IPS. The IPS is usually combined with an Uninterruptable Power Supply (UPS) that prevents disruption of the supply owing to problems upstream of the UPS.

MEDICAL EQUIPMENT ONLY:

Crabtree medical sockets are marked MEDICAL EQUIPMENT ONLY in large, clear 6mm high font. 710:553.1 states socket outlets used in medical IT systems shall be coloured blue and clearly and permanently marked 'MEDICAL EQUIPMENT ONLY'.

Medical Sockets are all required to be clean earth. The reasons for generating a clean earth:

If a metal back box is used that is in contact with the building earth, a large amount of current can flow through this path if there is a significant difference in potential between the earth reference bar (ERB) and the building earth at that point. This condition is more likely to occur in an old building where there may be a link between earth and neutral elsewhere in the wiring. The fault current can create large amounts of noise into the equipment that is being fed from the supply. The presence of this fault can often be demonstrated by measuring the touch voltage between the ERB and the earth of the portable device. The problem can be reduced by eliminating the current path between the ERB and the building earth provided by the earth connection in the mains socket. I.e. Use of a clean earth socket.

High Integrity Earth- Twin earth terminals:

All standard Crabtree twin switched sockets include 2 earth terminals to allow one model to be used in all situations where high integrity installation are required. Regulation 543.7.1 & 543.7.2 include the needs of high integrity earth protection as "... requires an accessory to be provided with 2 separate earth terminals".

Clean Earth. Twin earth terminals for both earth bars:

The Crabtree clean earth and Medical range are what we believe, the first complete clean earth 2 gang sockets providing 2 earth bars completely separated and easily identified, with 2 terminals on the functional earth and 2 earth terminals on the clean earth.

Metal Back box:

The clean earth cable would be connected directly to the clean earth terminal on the clean earth busbar mounted on the top section of the socket marked with the clean earth symbol.

The functional earth cable would be connected directly to the metal back box earth terminal, which then would be connected to the functional earth terminal on the busbar mounted on the middle section of the socket marked with the functional earth symbol.

Insulated Back box:

The clean earth cable would be connected directly to the clean earth terminal on the clean earth busbar marked with the clean earth symbol.

The functional earth cable would be connected directly to the functional (dirty) earth terminal on the busbar marked with the functional earth symbol.



CLEAN EARTH
2 Earth Terminals.
Capacity 6mm².

FUNCTIONAL EARTH
For standard earthing of fixing screws,
including extraneous metal work.
2 Earth Terminals.
Capacity 6mm².

electrium

ELECTRIUM SALES LIMITED A SIEMENS COMPANY

Commercial Centre, Lakeside Plaza,
Walkmill Lane, Bridgtown,
Cannock WS11 0XE.
eMail: info@electrium.co.uk

www.electrium.co.uk

UK SALES

Telephone: 01543 455010
Facsimile: 01543 455011
eMail: crabtree.sales@electrium.co.uk

TECHNICAL

Telephone: 01543 438310
Facsimile: 01543 438311
eMail: crabtree.technical@electrium.co.uk

EXPORT SALES

Telephone: +44 1543 455049
Facsimile: +44 1543 455048
eMail: export@electrium.co.uk

DUBAI OFFICE

Telephone: +971 4 3660684
Facsimile: +971 4 3660676
eMail: export@electrium.co.uk



[@ElectriumNews](https://twitter.com/ElectriumNews) or download the APP

Although every effort has been made to ensure accuracy in the compilation of the technical detail within this publication, specifications and performance data are constantly changing. Latest details can be obtained from Crabtree.

Publication No. A2601 02/21