



## PRODUCT DESCRIPTION

Crabtree provides a variety of communication / data solutions in various assemblies. Options include dedicated monoblock outlets or flexible modular arrangements. These decorative assemblies are available in a wide range of finishes to suit all installations.

## BRITISH STANDARDS

- All Crabtree Co-Axial Sockets have been type tested to BS 3041-7 -Radio-frequency connectors. R.F, Co-Axial connectors with inner diameter of output conductor 9.5mm with bayonet lock. Characteristic impedance 50 ohms (type C)
- Telephone Sockets- BS 7671 IET wiring regulations

## TECHNICAL SPECIFICATION

Product Standard:	BS 3041-7, BS 7671
Voltage:	250V AC 50Hz
Current Rating:	1A 5V (USB module) 13A (sockets on multi media plate accessory)
Ambient Temperature:	-5 to 40°C
Installation Altitude:	2000 metres
Other Marking Standards:	CE
Ingress Protection (IP) Rating:	IP4X (unless stated)
Recommended Torque Setting:	0.5Nm L,N, E Terminals
Terminal Capacity:	1 x 9.5mm <sup>2</sup> (co-axial) 6 x 0.4mm <sup>2</sup> -0.68mm <sup>2</sup> (telephone socket)

## RANGE PORTFOLIO

### Metal Plate

Plate Finishes:	Satin Chrome, Highly Polished Chrome, Bronze, Polished Brass, Stainless Steel & Polished Stainless Steel
Plate Types:	1 & 2 Gang communication plates for up to 4 euro/modular size interiors + 267mm x 207mm multi medial plate
Module Variants:	communication, data / co-axial & blank / accessories
Printing:	Tampo Print & Indelible Laser marking
Back Box Ref:	SB655 (25mm flush steel box, for most installations we recommend a depth of 25mm unless stated otherwise)
Back Box Ref:	SB619 (35mm dry lining box, for most installations we recommend a depth of 25mm unless stated otherwise)
Plate Material:	Mild steel, 8.5mm depth
Plate Processes:	Polished / brushed plate, Electrophoresis, Stoved

### Platinum Low Profile

Plate Finishes:	Satin Chrome, Highly Polished Chrome, Polished Brass, Black Nickel & White Moulded
Plate Types:	1 & 2 Gang communication plates for up to 4 euro/modular size interiors
Module Variants:	communication, data / co-axial & blank / accessories
Printing:	Tampo Print & Indelible Laser marking
Back Box Ref:	SB655 (25mm flush steel box, for most installations we recommend a depth of 25mm unless stated otherwise)
Back Box Ref:	SB619 (35mm dry lining box, for most installations we recommend a depth of 25mm unless stated otherwise)
Plate Material:	Polycarbonate (4.6mm depth) or mild steel frames for data/communication modules
Plate Processes (steel):	Polished / brushed plate, Paint or Electrochemically Laquered, Stoved

### Platinum Flat Plate

Plate Finishes:	Polished Brass, Stainless Steel & Polished Stainless Steel
Plate Types:	1 & 2 Gang communication plates for up to 4 euro/modular size interiors
Module Variants:	communication, data / co-axial & blank / accessories
Printing:	Tampo Print & Indelible Laser marking
Back Box Ref:	SB655 (25mm flush steel box, for most installations we recommend a depth of 25mm unless stated otherwise)
Back Box Ref:	SB619 (35mm dry lining box, for most installations we recommend a depth of 25mm unless stated otherwise)
Plate Material:	Mild steel (1.5mm depth) frames for data/communication modules
Plate Processes:	Polished / brushed plate, Electrochemically Laquered, Stoved

## TELEPHONE SOCKETS

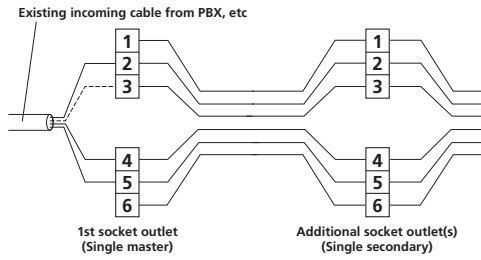
### Wiring Diagrams

Example of typical connections:

- 1 Connections to 2 & 5
- 2 Earth recall (when used) connect to terminal 4
- 3 Connection to terminal 3 is not usually required

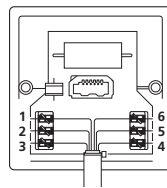
**NB** (a) Standard 4 wire cable is shown below as incoming cable. If terminals 1 and 6 (normally unused) are required, 6 wire cable may be used.

(b) All socket outlet connections are in parallel – any number of socket outlets can be connected, but it is recommended that only a maximum of 5 telephones be used at any one time on one line.

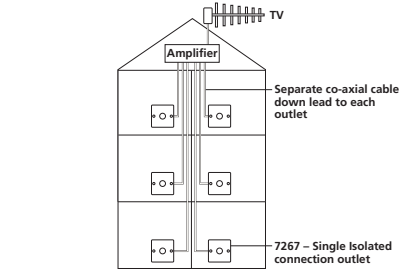
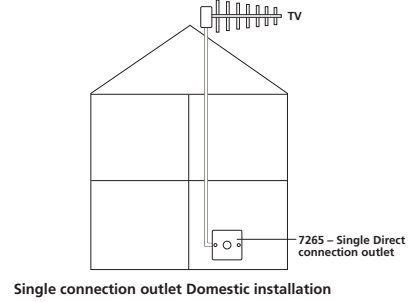


### Wiring Colour Code

Pin Number	Base colour/stripe
1	Green/White
2	Blue/White
3	Orange/White
4	White/Orange
5	White/Blue
6	White/Green

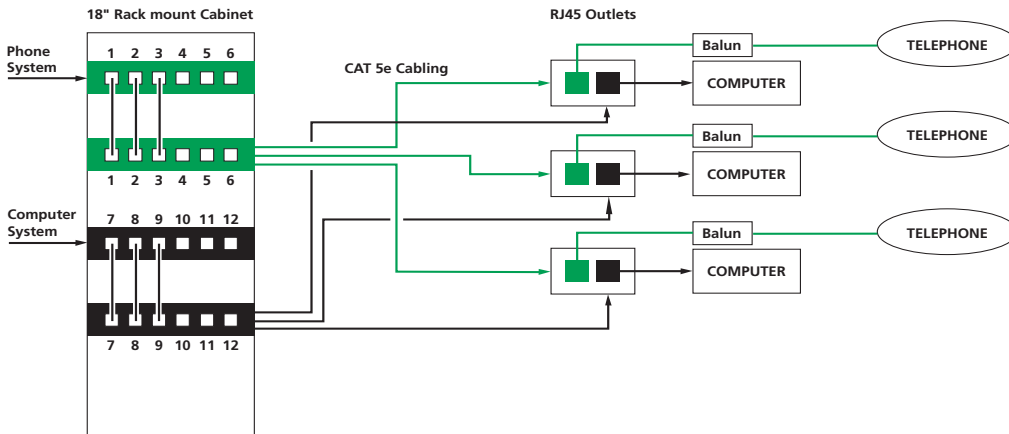


## CO-AXIAL SOCKETS



Co-axial outlet installation Communal aerial system eg flats, hotels etc

## DATAPAK TYPICAL USE OF PATCH PANELS, PATCH LEADS & DATA OUTLETS



### TELECOM MODULES

Master voice module - BT 601 master, IDC connectors (Krone style), Capacitor, lightning protection, resistor

PABX voice module - IDC connectors, Capacitor, no lightning protection, (resistor optional)

Secondary voice module - IDC connectors  
Master voice module (left handed) - BT 601 master, IDC connectors, Capacitor, lightning protection, resistor, accepts left handed plug

### BAND WIDTH/CAT NETWORK DATA SPEED

Cat 4 - 20Mhz	16Mbps
Cat 5 - 100Mhz	100Mbps
Cat 5e - 160Mhz	1Gbps
Cat 6 - 250Mhz	1Gbps
Cat 6A - 500Mhz	10Gbps
Cat7 - 600Mhz	> 10Gbps

### DATA MODULES

RJ45 Cat 5e - IDC connector blocks, Colour coding - socket/cable/patch panel, tie wrap facility, use as socket on ISDN system, multiple sockets "daisy-chained"

ISDN Terminated (blue shutter) - RJ45 socket with 100 ohm resistor between pins 4 & 5 and one between pins 3 & 6, Ratio 8:1 use

RJ11/12 - classified as data outlet, but used as telecom socket in Eire & USA, no capacitor accepts 6p6c plug (RJ12) and 6p4c plug (RJ11)

### MEDIA MODULES AND ACCESSORIES

Triplex unit - TV/SAT/FM splitter. One cable in, carrying combined signals, splits signal back into 3 parts. Each socket is screened, reducing susceptibility to noise distortion thus improving picture reception. 50mm x 50mm (double mod size)

Quad plexer unit - TV/FM/SAT 1/SAT 2. One cable in carrying combined signals, splits back into 3 parts. SAT 2 has a separate satellite output, for use with sky + and more complex installations. Each socket is screened, reducing susceptibility to noise disturbance thus improving picture reception. 50mm x 50mm (double med size).

USB unit - Dual USB 2 x 1A 5V - Accepts 3 x 2.5mm2 in the power terminals

TV return - Screened TV module, used in conjunction with a distribution amplifier to distribute signals to other rooms

BNC (female) - Accepts BNC male plug, 50 ohm or 70 ohm, as found on coaxial data systems (RG58, Ethernet) and CCTV installations

## A POINT OF TESTING

When installations incorporating electronic devices of the semi conductor type are being tested, care must always be taken to ensure that they are not subjected to the output voltage of the insulation tester. However, dimmer switches complying with BS 5518 will not be damaged by the application of a normal 500V insulation resistance test. In all other cases where electronic items are fitted, they should be disconnected whilst the insulation of the installation is being tested. A notice, drawing to the attention to the fact that electronic devices are incorporated in the installation, should always be affixed at the intake position. This also applies to any neon indicators fitted.