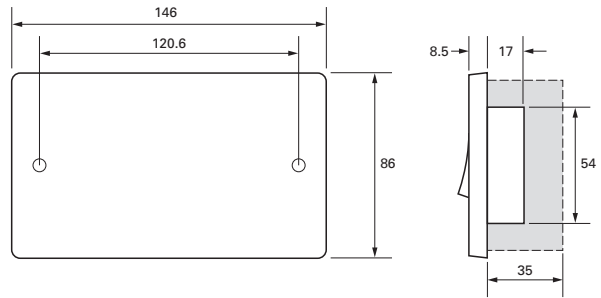


# DECORATIVE 45A COOKER CONTROL UNIT

## DIMENSIONS (mm)

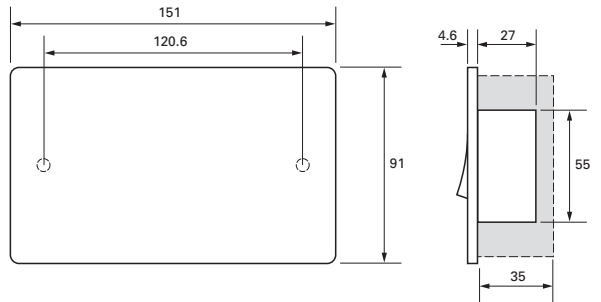
### METAL PLATE

Back Box Size: 35mm (Recommended)  
 Back Box Ref: 2 gang SB625 (Flush Metal)  
 Back Box Ref: 2 gang SB631 (Dry Lining)  
 Plate Material: Mild Steel, 8.5mm depth  
 Rocker Material: Cast Zinc with appropriate metal finish / Polycarbonate  
 Interior Material: Polycarbonate  
 Processes: Polished / brushed plate, Electrophoresis, Stoved



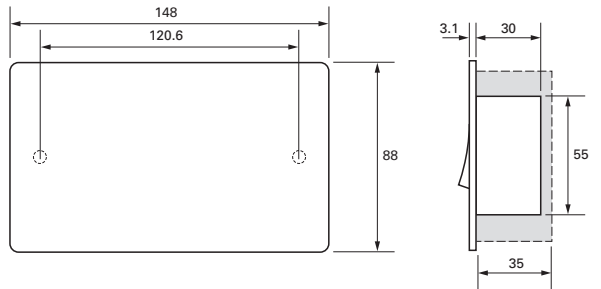
### PLATINUM LOW PROFILE WHITE MOULDED PLATE

Back Box Size: 35mm (Recommended)  
 Back Box Ref: 2 gang SB625 (Flush Metal)  
 Back Box Ref: 2 gang SB631 (Dry Lining)  
 Plate Material: Polycarbonate, 4.6mm depth  
 Rocker Material: Polycarbonate  
 Interior Material: Polycarbonate  
 Processes: Moulded



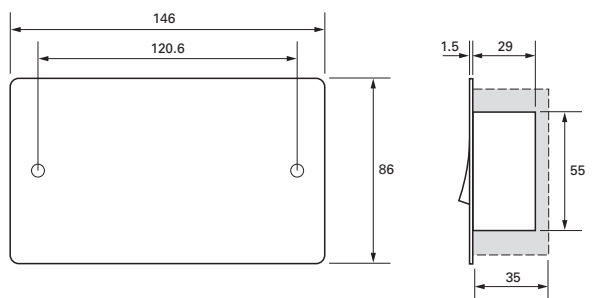
### PLATINUM LOW PROFILE METAL PLATE

Back Box Size: 35mm (Recommended)  
 Back Box Ref: 2 gang SB625 (Flush Metal)  
 Back Box Ref: 2 gang SB631 (Dry Lining)  
 Plate Material: Mild Steel, 3.1mm depth  
 Rocker Material: Cast Zinc with appropriate metal finish  
 Interior Material: Polycarbonate  
 Processes: Polished / brushed plate, Paint or Electrolytically Lacquered, Stoved



### PLATINUM FLAT METAL PLATE

Back Box Size: 35mm (Recommended)  
 Back Box Ref: 2 gang SB625 (Flush Metal)  
 Back Box Ref: 2 gang SB631 (Dry Lining)  
 Plate Material: Mild Steel, 1.5mm depth  
 Rocker Material: Cast Zinc with appropriate metal finish  
 Interior Material: Polycarbonate  
 Processes: Polished / brushed plate, Electrolytically Lacquered, Stoved



## A POINT OF TESTING

When installations incorporating electronic devices of the semi conductor type are being tested, care must always be taken to ensure that they are not subjected to the output voltage of the insulation tester. However, dimmer switches complying with BS 5518 will not be damaged by the application of a normal 500V insulation resistance test. In all other cases where electronic items are fitted, they should be disconnected whilst the insulation of the installation is being tested. A notice, drawing to the attention to the fact that electronic devices are incorporated in the installation, should always be affixed at the intake position. This also applies to any neon indicators fitted.