

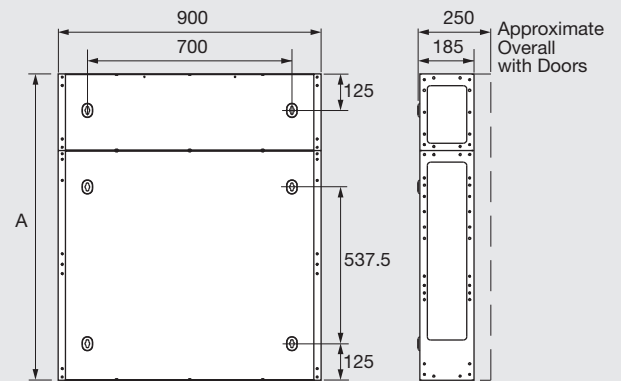
TECHNICAL DATA POWERSTAR 250 PANELBOARDS

POWERSTAR 250 PANELBOARDS

	400A	630A
Standards Compliance:	BS EN/IEC 61439-2:2009	
Rated Voltage:	230/400V 3ph 50Hz	
Fault Rating:	35kA for 1 sec	50kA for 1 sec
Degree of Protection:	IP3X (door closed)	
Form of Separation:	3B Type 2 Group Mounted	
Incoming maximum terminal capacity:	32mm wide lug connections	
Finish:	Light Grey RAL7035	

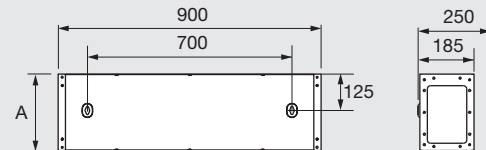
POWERSTAR 250 PANELBOARD DIMENSIONS

400A		630A	
List No.	A	List No.	A
173T2402	1055	173T2632	1055
173T2404	1160	173T2634	1160
173T2406	1265	173T2636	1265



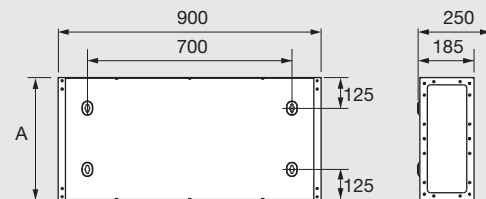
4W Extension Units

List No.	A	List No.	A
17GG404A	265	17GG634A	265



8W & 12W Extension Units

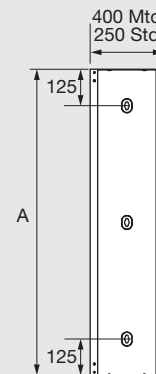
List No.	A	List No.	A
17GG408A	425	17GG638A	425
17GG4012A	583	17GG6312A	583
17T2408A	583	17T2638A	583



Panelboard Standard Cableways

List No.	A	List No.	A
17T22CW	1055	17T22CWM	1055
17T24CW	1160	17T24CWM	1160
17T26CW	1265	17T26CWM	1265

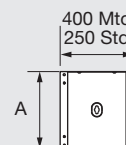
Metered Cableways



4W Extension Unit Standard Cableways

List No.	A	List No.	A
17GG4CWA	265	17GG4CWMA	265

Metered Cableways



8W & 12W Extension Unit Standard Cableways

List No.	A	List No.	A
17GG8CWA	425	17GG8CWMA	425
17GG12CWA	583	17GG12CWMA	583
17T28CWA	583	17GG12CWMA	583

Metered Cableways

