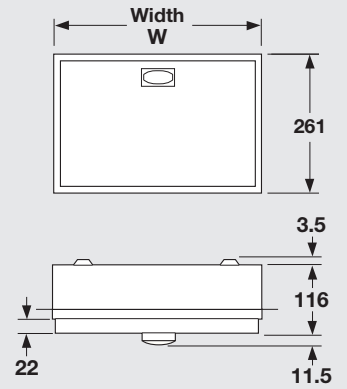


TECHNICAL DATA POLESTAR COMPACT

TYPE A DISTRIBUTION BOARDS

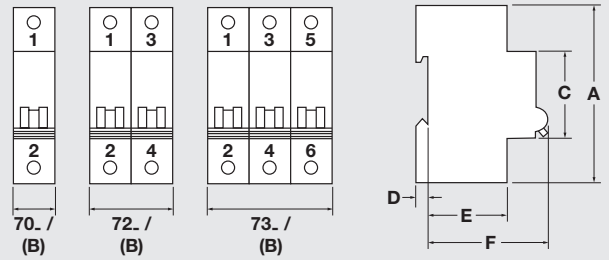
List No.	W	List No.	W	List No.	W	List No.	W
18PSC05/21A	188	18PSC05/33A	188	18PSC05/31A	188	18PSC10/S413A	343
18PSC08/21A	242	18PSC08/33A	242	18PSC08/31A	242	18PSC10/S513A	343
18PSC11/21A	293	18PSC11/33A	293	18PSC11/31A	293	18PSC10/S613A	343
18PSC14/21A	343						
18PSC19/21A	438						
18PSC28/21A*	343						

* 2 Bank Unit H = 500mm



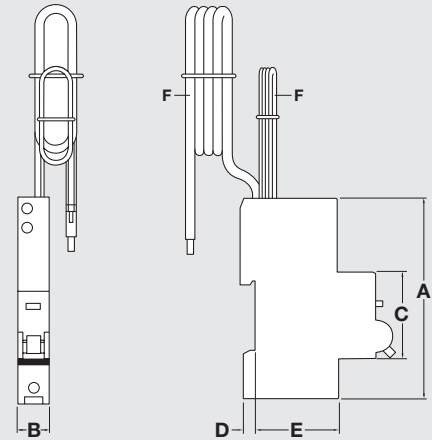
MINIATURE CIRCUIT BREAKERS (MCBs)

List No	A	B	C	D	E	F
70 - / - -	90	18	45	6	44	70
72 - / - -	90	36	45	6	44	70
73 - / - -	90	54	45	6	44	70



POLESTAR COMPACT RCBOs (SINGLE MODULE)

List No	A	B	C	D	E	F
701C/ - - 3	125	17.6	45	6.2	44	600
701C/ - - 3/LT125	125	17.6	45	6.2	44	1200



4 MODULE RESIDUAL CURRENT CIRCUIT BREAKERS

List No	A	B	C
241/ - - -	85	70	68

