

TECHNICAL DATA FUSESTAR HOUSED FUSE SWITCH

SPECIFICATION

- BS EN60947-3, IEC 60947-3
- Range of ratings 20A - 800A in 5 frame sizes
- Pole configurations SP & N, TP & N, and 4 Pole
- Voltage rating 415V ac
- Frequency rating 50/60 Hz
- Fuse type BS88
- Fused Short Circuit, 80kA RMS

PRODUCT FEATURES

- Switching speed totally operator independent
- Handle padlockable on or off

HOUSED UNITS

- Modular enclosure design (52.5mm) with inbuilt cable spreader box
- Reversible door which opens 180°
- IP4X



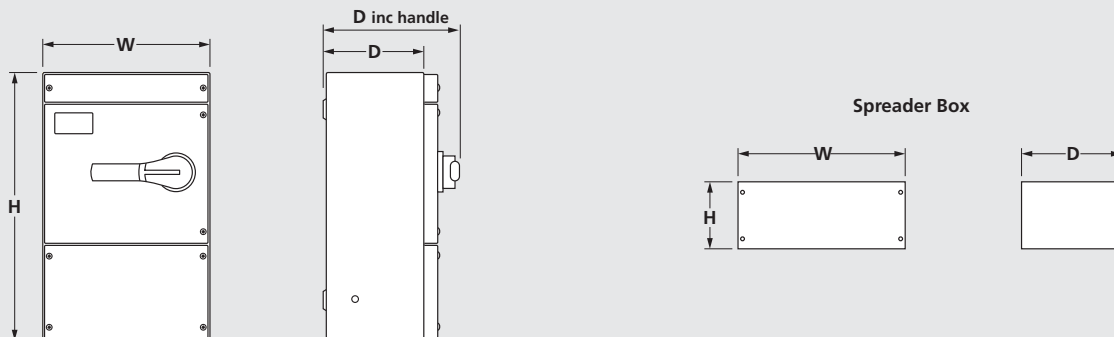
TECHNICAL DATA

	20-32A	63A	100A	125A	160A	200A	315A	400A	630A	800A
Mechanical Endurance	20,000	10,000	10,000	10,000	10,000	10,000	10,000	10,000	8,000	8,000
Ratings	A kW	A kW	A kW	A kW	A kW	A kW	A kW	A kW	A kW	A kW
415V Ie/pe	32 15	63 30	100 51	125 75	160 90	200 80	315 160	400 220	630 355	800 450

FUSE COMPARISON DATA*

Current Rating	BS 88 Reference	Lawson	GEC	Bussman
20/32A	A1	NIT	NIT	NITD
63A	A3	TIS, TIA GTIA	TIS, TIA	BAO, AAO
100A	A4 (Dia 31 max)	TCP	-	CEO
125A	A4 (Dia 31 max)	TFP	TFP	DEO, CEO
160/200A	A4 (Dia 31 max)	TFP	TFP	DEO, CEO
315A	B3, B2, B1	TFK, TF	TF	ED, DD, CD
400A	B3, B2, B1	TMF, TFK, TF, TC	TMF, TFK, TF, TC	ED, DD, CD
630A	C2, C1	TTM, TM	TTM, TM	FF, EF
800A	C3, C2, C1	TLM, TTM, TM	TLM, TTM, TM	GF, FF, EF

FUSESTAR DIMENSION DETAILS



DIMENSIONS (mm)

	H	W	D	D inc. handle		H	W	D
20-32A	225	210	136	200	SPREADER BOX	125	210	130
63A	425	263	188	263	SPREADER BOX	125	263	185
100A	425	263	188	263	SPREADER BOX	125	263	185
125-200A	530	315	241	305	SPREADER BOX	125	315	235
315-400A	800	420	241	320	SPREADER BOX	230	420	235
630-800A	900	640	293	400	SPREADER BOX	230	640	300

* Fuse selections are indicative and maybe subject to change, please contact manufacturer for latest details.