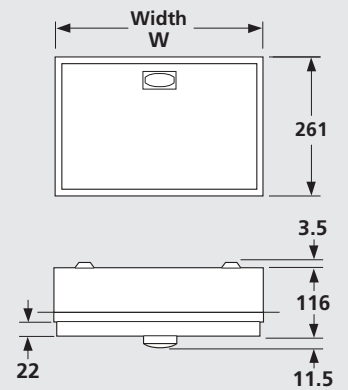


## TYPE A DISTRIBUTION BOARDS

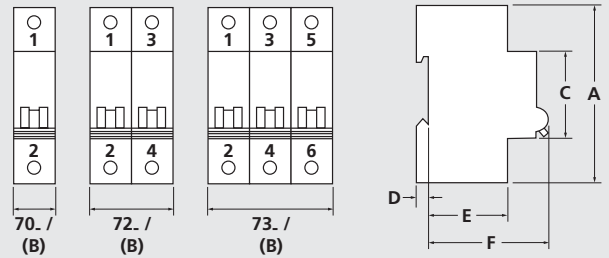
List No.	W	List No.	W	List No.	W	List No.	W
<b>18PSC05/21A</b>	188	<b>18PSC05/33A</b>	188	<b>18PSC05/31A</b>	188	<b>18PSC10/S413A</b>	343
<b>18PSC08/21A</b>	242	<b>18PSC08/33A</b>	242	<b>18PSC08/31A</b>	242	<b>18PSC10/S513A</b>	343
<b>18PSC11/21A</b>	293	<b>18PSC11/33A</b>	293	<b>18PSC11/31A</b>	293	<b>18PSC10/S613A</b>	343
<b>18PSC14/21A</b>	343						
<b>18PSC19/21A</b>	438						
<b>18PSC28/21A*</b>	343						

\* 2 Bank Unit H = 500mm



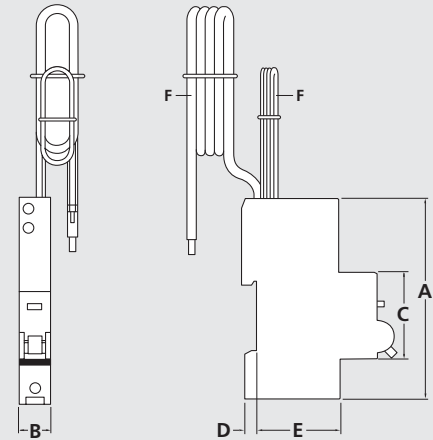
## MINIATURE CIRCUIT BREAKERS (MCBs)

List No	A	B	C	D	E	F
<b>70 - / - -</b>	90	18	45	6	44	70
<b>72 - / - -</b>	90	36	45	6	44	70
<b>73 - / - -</b>	90	54	45	6	44	70



## POLESTAR COMPACT RCBOs (SINGLE MODULE)

List No	A	B	C	D	E	F
<b>701C/ - - 3</b>	125	17.6	45	6.2	44	600
<b>701C/ - - 3/LT125</b>	125	17.6	45	6.2	44	1200



## 4 MODULE RESIDUAL CURRENT CIRCUIT BREAKERS

List No	A	B	C
<b>241/ - - -</b>	85	70	68

