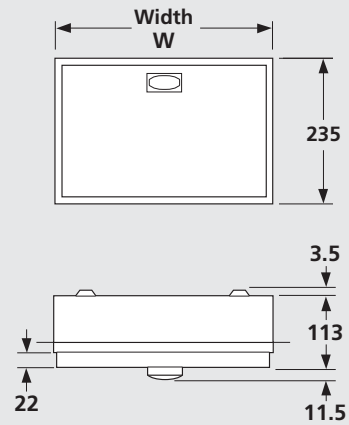


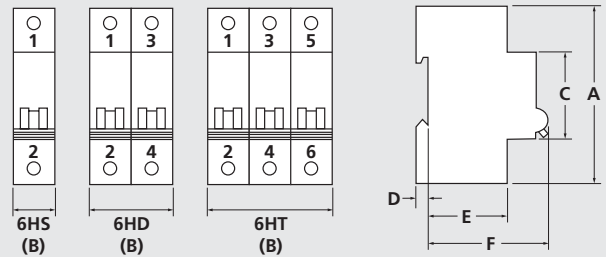
TYPE A DISTRIBUTION BOARDS & GP ENCLOSURES

List No.	W	List No.	H	W	D
18SN05	188	18GP2S	61	152	51
18SN08	242	18GP4S	76	140	67
18SN11	293				
18SN14	343	18GP2M	90	225	66
18SN19	437	18GP4M	135	346	74



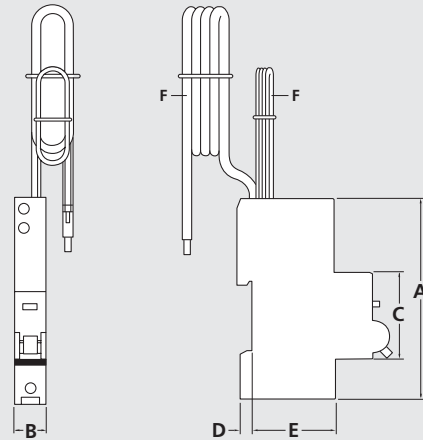
MINIATURE CIRCUIT BREAKERS (MCBs)

List No	A	B	C	D	E	F
6HS ...	90	18	45	6	44	70
6HD ...	90	36	45	6	44	70
6HT ...	90	54	45	6	44	70



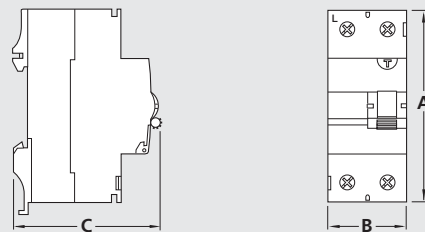
LOADSTAR RCBOs (SINGLE MODULE)

List No	A	B	C	D	E	F
6HSR ... /30 .	125	17.6	45	6.2	44	600
6HSR ... /30/LT125	125	17.6	45	6.2	44	1200



2 MODULE RESIDUAL CURRENT CIRCUIT BREAKERS

List No	A	B	C
18R100 / ... / 2	90	35	75



4 MODULE RESIDUAL CURRENT CIRCUIT BREAKERS

List No	A	B	C
18R100 / ... / 4	85	70	68

