

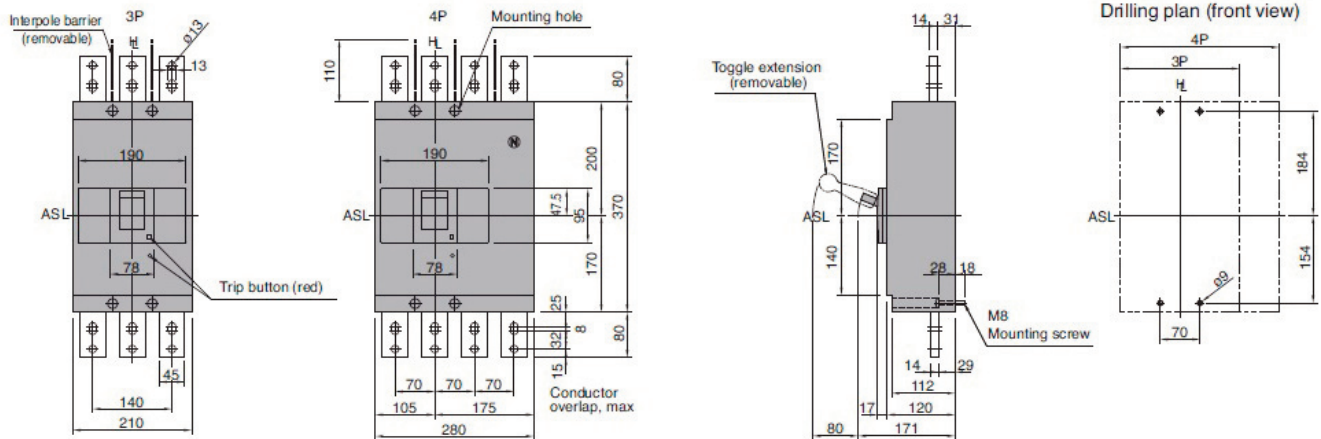
# Loadline MCCB YA7 and YA8 Frame dimensions

## Circuit Protection

### Dimensions

#### YA7 3 and 4 pole

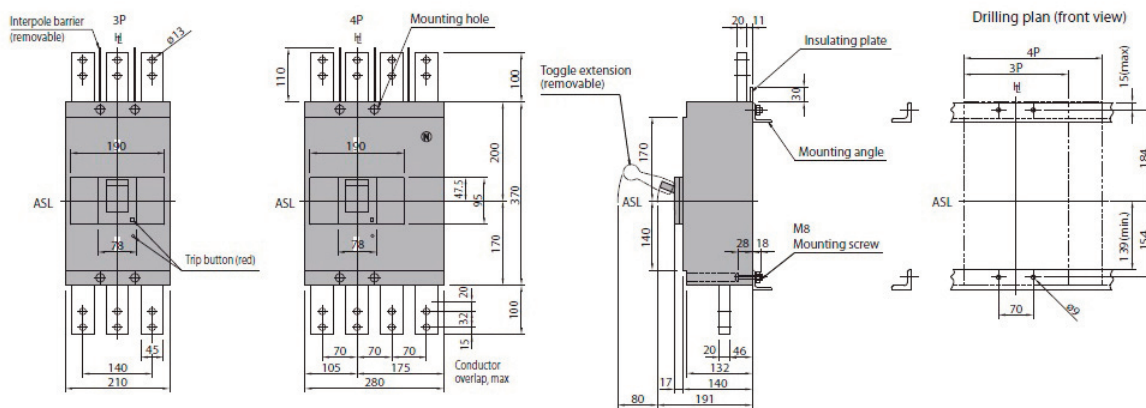
Front connected



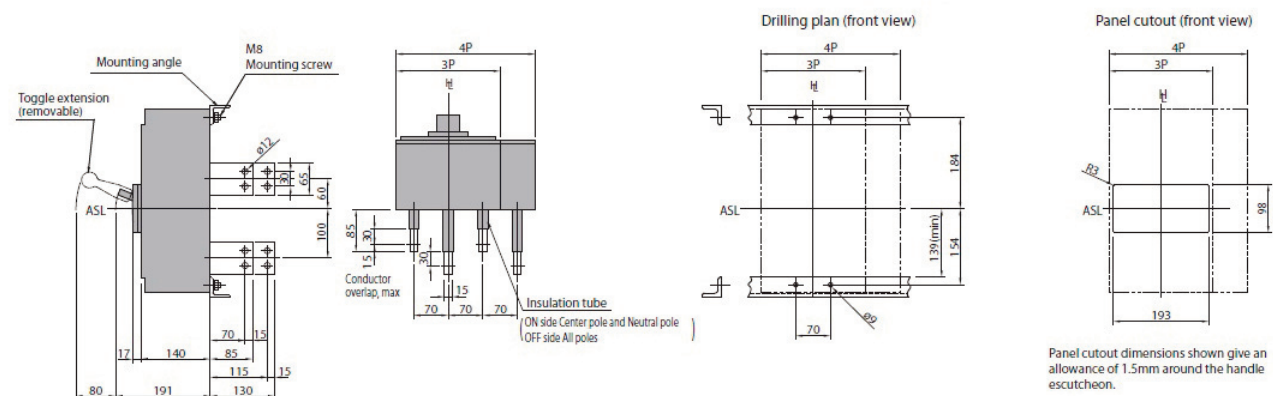
### Dimensions

#### YA8 3 and 4 pole

Front connected



Rear connected



Panel cutout dimensions shown give an allowance of 1.5mm around the handle escutcheon.